

US00D562131S

(12) **United States Design Patent** (10) **Patent No.:** **US D562,131 S**
Wichowski (45) **Date of Patent:** **** Feb. 19, 2008**

(54) **SLIDE LID FOR CONTAINER**
(76) Inventor: **Artur Wichowski**, Kernstrasse 10, 4104 Oberwil (BL) (CH)
(**) Term: **14 Years**
(21) Appl. No.: **29/254,728**
(22) Filed: **Feb. 27, 2006**

(30) **Foreign Application Priority Data**
Aug. 29, 2005 (EM) 000392378

(51) **LOC (8) Cl.** **09-07**
(52) **U.S. Cl.** **D9/440; D9/447**
(58) **Field of Classification Search** D9/454, D9/450, 449, 447, 446, 440, 435, 432, 423, D9/421, 420, 422, 426; D7/900, 401.1, 396.1, D7/392, 392.1; D6/518; D34/11; D3/323; 222/480, 256; 220/812, 810, 480, 345.1, 220/256.1, 253, 213; 215/322, 306, 236, 215/235

See application file for complete search history.

(56) **References Cited**

U.S. PATENT DOCUMENTS

- 3,872,996 A 3/1975 Dogllottl
- D255,996 S 7/1980 Kinslow
- 4,538,731 A 9/1985 Cillario
- 4,733,794 A 3/1988 Kent
- D312,781 S 12/1990 Rigby
- D364,344 S 11/1995 Shaw
- D367,609 S 3/1996 Frank et al.
- 5,509,380 A 4/1996 Tipp
- D376,693 S 12/1996 Wolff
- 5,785,179 A 7/1998 Buczwinski et al.
- D413,419 S 8/1999 Arbak et al.
- D434,979 S 12/2000 Liu
- D448,295 S 9/2001 Mozes
- D448,668 S 10/2001 Baerenwald et al.
- D464,884 S 10/2002 Sumpmann et al.
- D465,685 S 11/2002 Dellerman et al.
- D467,801 S 12/2002 Baerenwald et al.
- D471,804 S 3/2003 Staples
- D473,461 S 4/2003 Joubert

- D474,402 S 5/2003 Baerenwald
- D479,420 S 9/2003 White et al.
- D481,942 S 11/2003 Elgebrant
- D491,065 S 6/2004 Solowiejko et al.
- D495,256 S 8/2004 Solowiejko
- D498,139 S * 11/2004 Haggerty et al. D9/422
- D507,968 S * 8/2005 Dixon et al. D9/422
- D509,732 S 9/2005 Staples
- D510,859 S * 10/2005 Dixon et al. D9/422
- D510,860 S * 10/2005 Dixon et al. D9/422
- D513,175 S 12/2005 Fielder et al.
- D522,356 S * 6/2006 Liebe D9/426
- D522,855 S * 6/2006 Liebe et al. D9/426
- D527,255 S 8/2006 Liebe et al.
- D530,606 S 10/2006 Liebe et al.
- 2007/0164032 A1* 7/2007 Cronin et al. 220/345.1

* cited by examiner

Primary Examiner—Gary D. Watson
Assistant Examiner—Susan Bennett Hattan
(74) *Attorney, Agent, or Firm*—Gifford, Krass, Groh et al.

(57) **CLAIM**

The ornamental design for a slide lid for container, as shown and described.

DESCRIPTION

FIG. 1 is a perspective view of my inventive slide lid for container, the broken line showing of a container depicting environment subject matter only and forming no part of the claimed design.

FIG. 2 is a front view of an inventive slide lid for container depicted in FIG. 1;

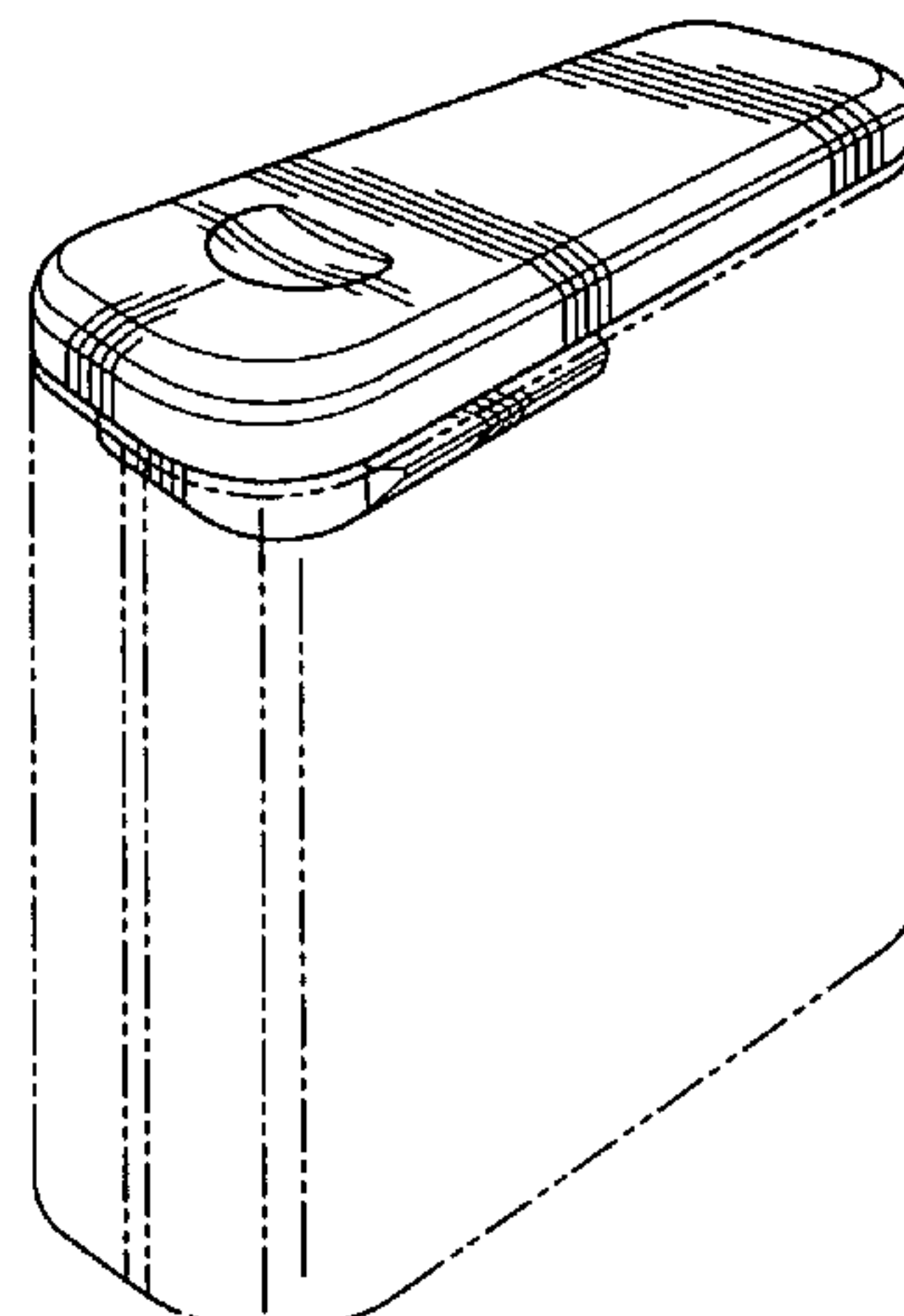
FIG. 3 is a top view of the inventive slide lid for container depicted in FIG. 1;

FIG. 4 is a side view of the inventive slide lid for container depicted in FIG. 1;

FIG. 5 is a rear view of the inventive slide lid for container depicted in FIG. 1; and,

FIG. 6 is a bottom view of the inventive slide lid for container depicted in FIG. 1.

1 Claim, 1 Drawing Sheet



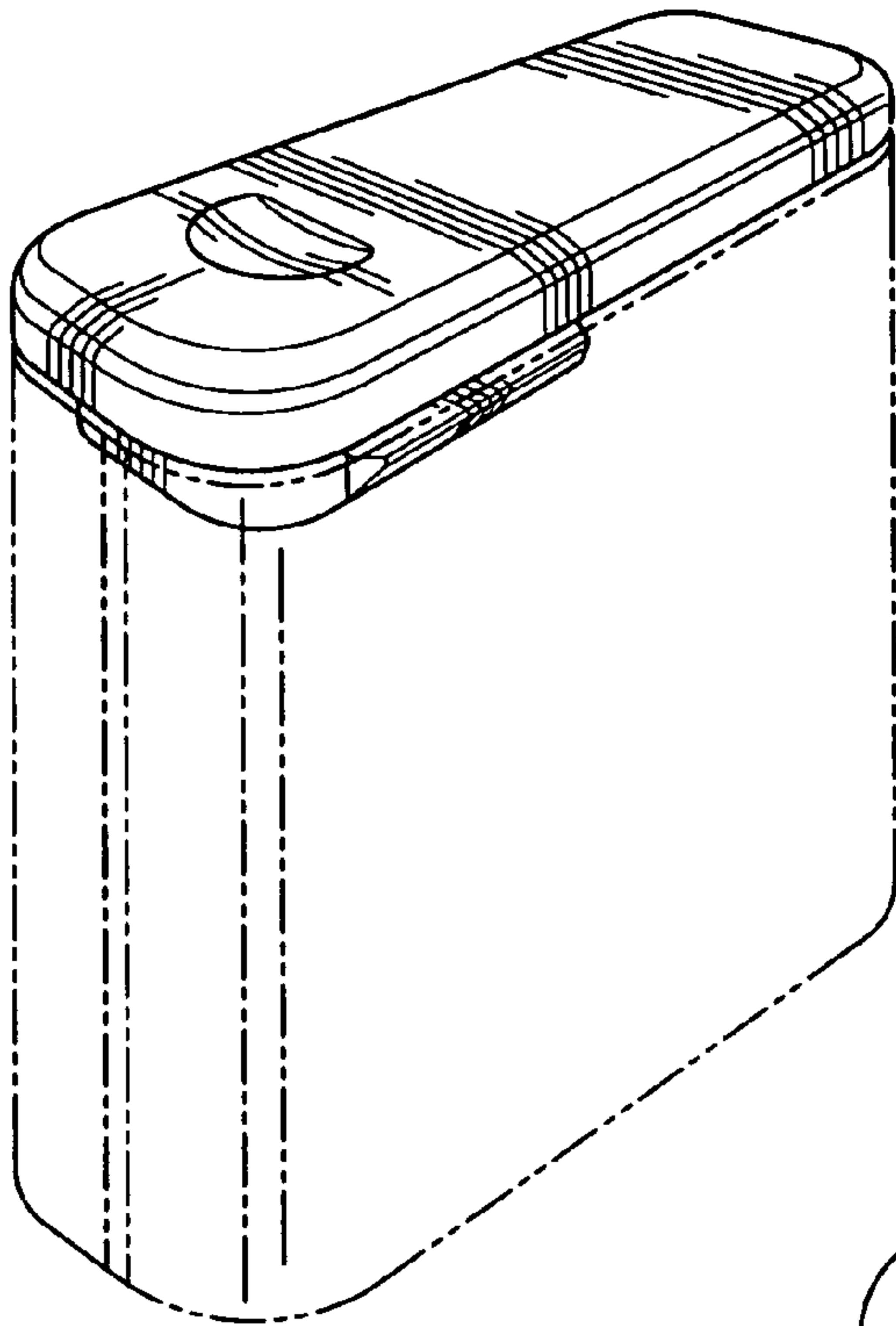


Figure 1

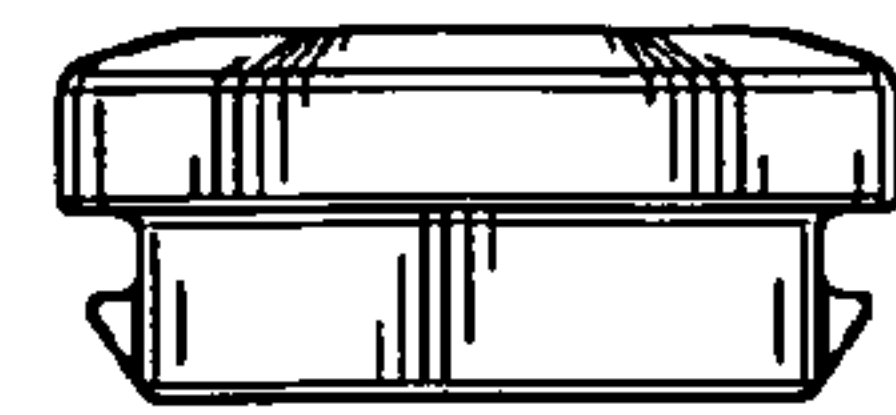


Figure 2

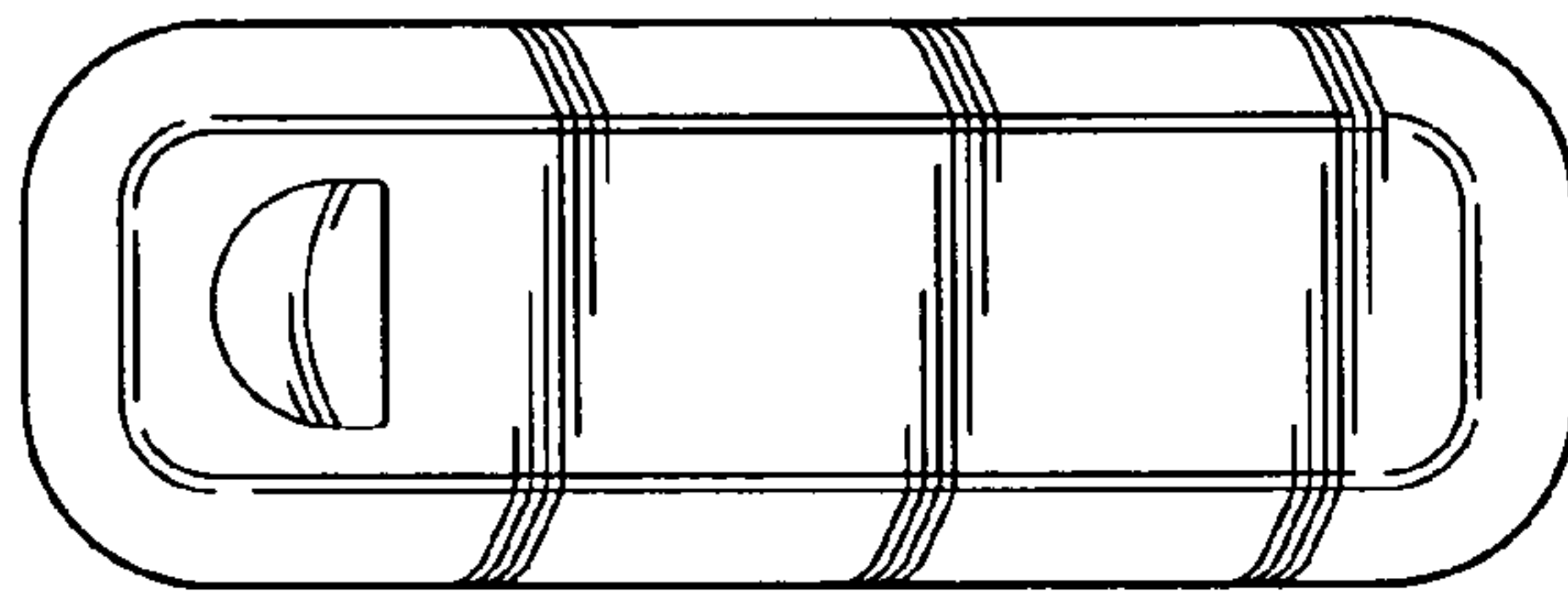


Figure 3

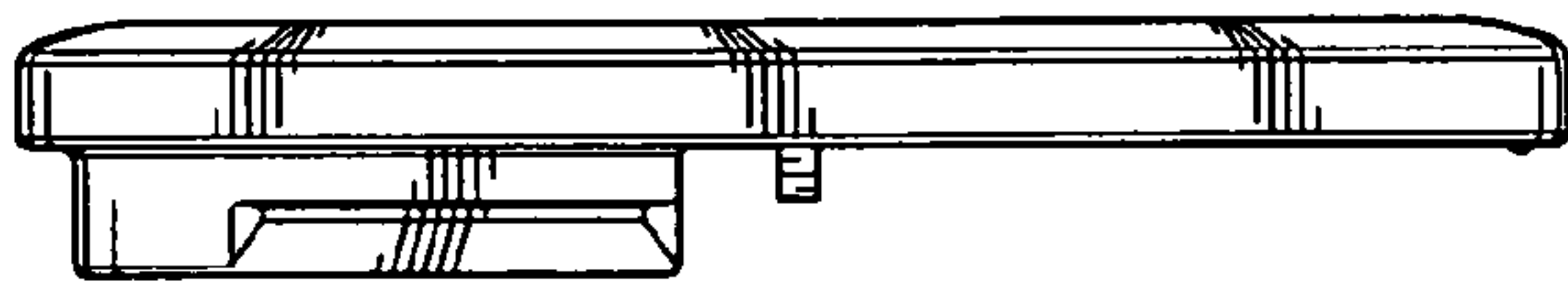


Figure 4

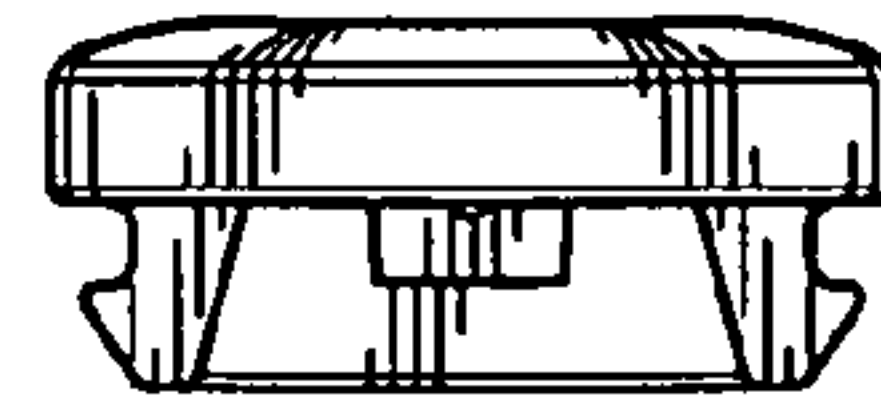


Figure 5

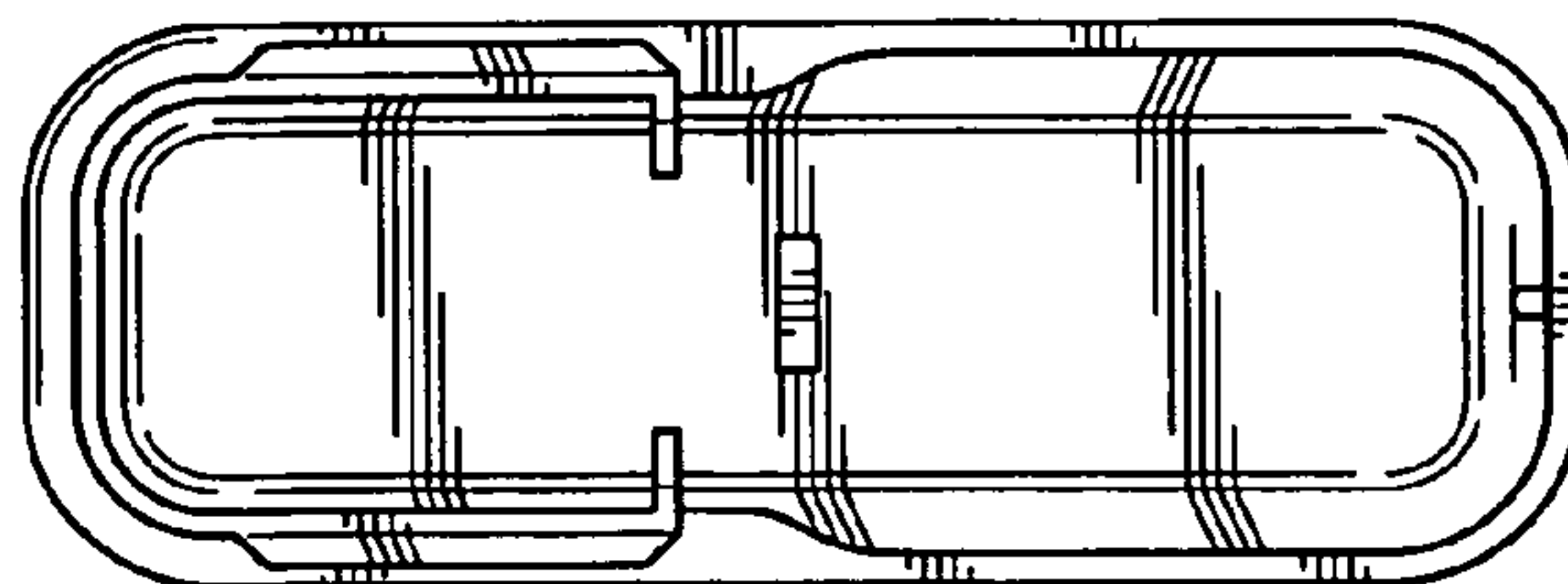


Figure 6