



US00D562128S

(12) **United States Design Patent**  
**van de Velde**

(10) **Patent No.:** **US D562,128 S**

(45) **Date of Patent:** **\*\* Feb. 19, 2008**

(54) **CONTAINER FOR BULBS**

(75) Inventor: **Luc van de Velde**, Antwerp (BE)

(73) Assignee: **Jac. Th. de Vroomen B.V.**, AA Lisse (NL)

(\*\*) Term: **14 Years**

(21) Appl. No.: **29/264,301**

(22) Filed: **Aug. 9, 2006**

(30) **Foreign Application Priority Data**

Feb. 9, 2006 (CA) ..... 114494

(51) **LOC (8) Cl.** ..... **09-03**

(52) **U.S. Cl.** ..... **D9/420; D9/425**

(58) **Field of Classification Search** ..... D9/420,  
D9/414, 419, 423, 424, 425, 427, 432; D3/273,  
D3/294; D11/143, 155; 206/418, 503, 508,  
206/511, 518; 220/23.6, 361, 790-792, 797,  
220/832; 229/120

See application file for complete search history.

(56) **References Cited**

**U.S. PATENT DOCUMENTS**

D44,563 S \* 8/1913 Haase ..... D11/155  
2,950,850 A \* 8/1960 Corcoran ..... 229/120  
3,386,608 A \* 6/1968 Diller ..... 220/23.6  
D235,621 S \* 7/1975 Cawrse ..... D9/425  
D260,751 S \* 9/1981 Lee et al. .... D11/155

D278,323 S \* 4/1985 Blackmore, Jr. .... D11/155  
4,971,220 A \* 11/1990 Kaufman et al. .... 220/832  
D327,220 S \* 6/1992 Proffitt et al. .... D9/423  
D342,609 S \* 12/1993 Brightbill ..... D3/294  
D354,435 S \* 1/1995 Krupa ..... D9/423  
D361,036 S \* 8/1995 Krupa ..... D9/424  
D484,797 S \* 1/2004 Kipperman et al. .... D9/424

\* cited by examiner

*Primary Examiner*—Prabhakar Deshmukh

*Assistant Examiner*—Derrick Holland

(74) *Attorney, Agent, or Firm*—Venable LLP; Keith G. Haddaway

(57) **CLAIM**

The ornamental design for a container for bulbs, as shown and described.

**DESCRIPTION**

FIG. 1 is a top, front left side perspective view of a container for bulbs showing my new design, in an open condition;

FIG. 2 is a top view thereof;

FIG. 3 is a side view thereof;

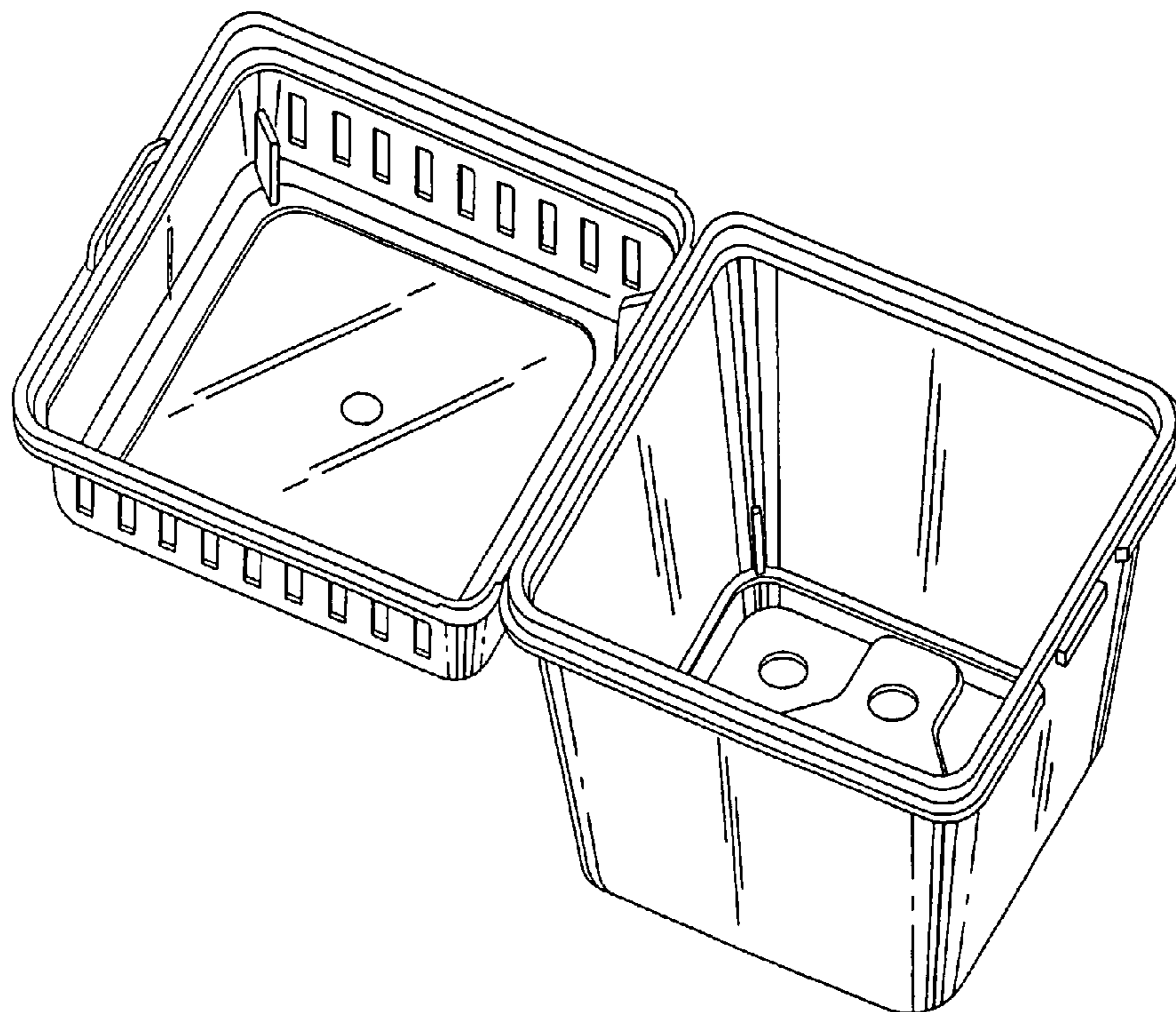
FIG. 4 is a side view thereof, in a closed condition;

FIG. 5 is a front bottom perspective view thereof;

FIG. 6 is a front end perspective view thereof; and,

FIG. 7 is a right end perspective view thereof, in an open condition.

**1 Claim, 7 Drawing Sheets**



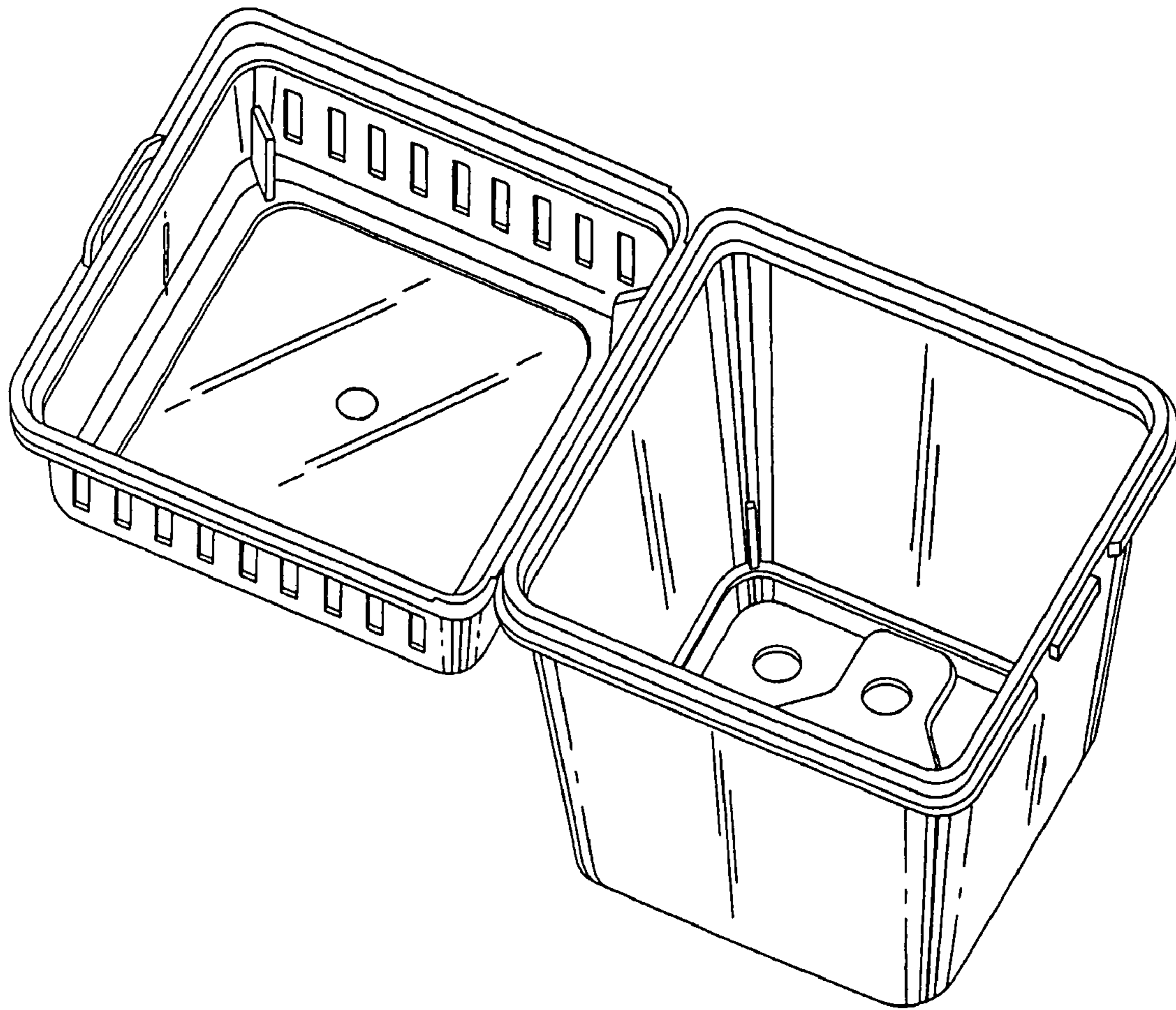


FIG. 1

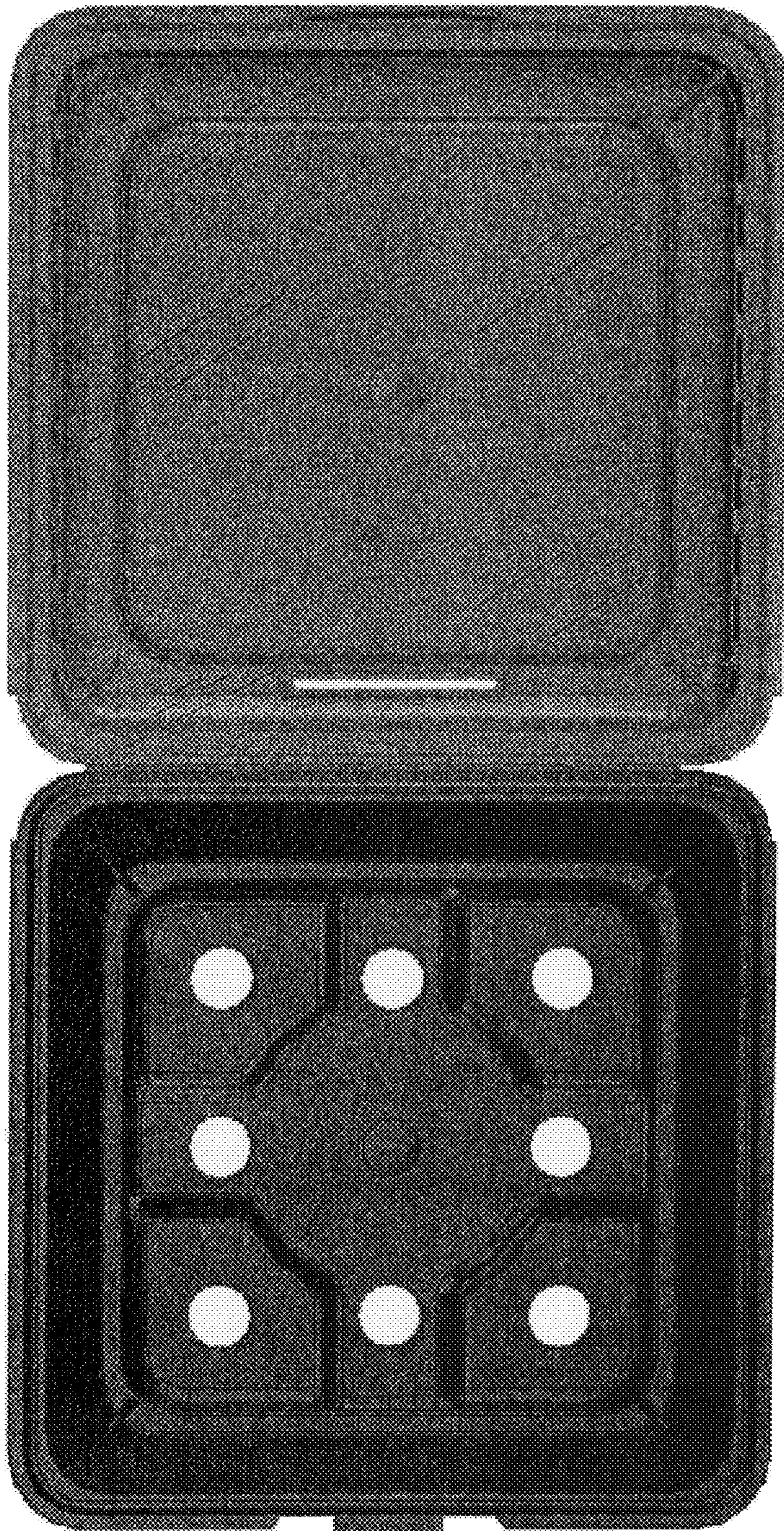


Fig. 2

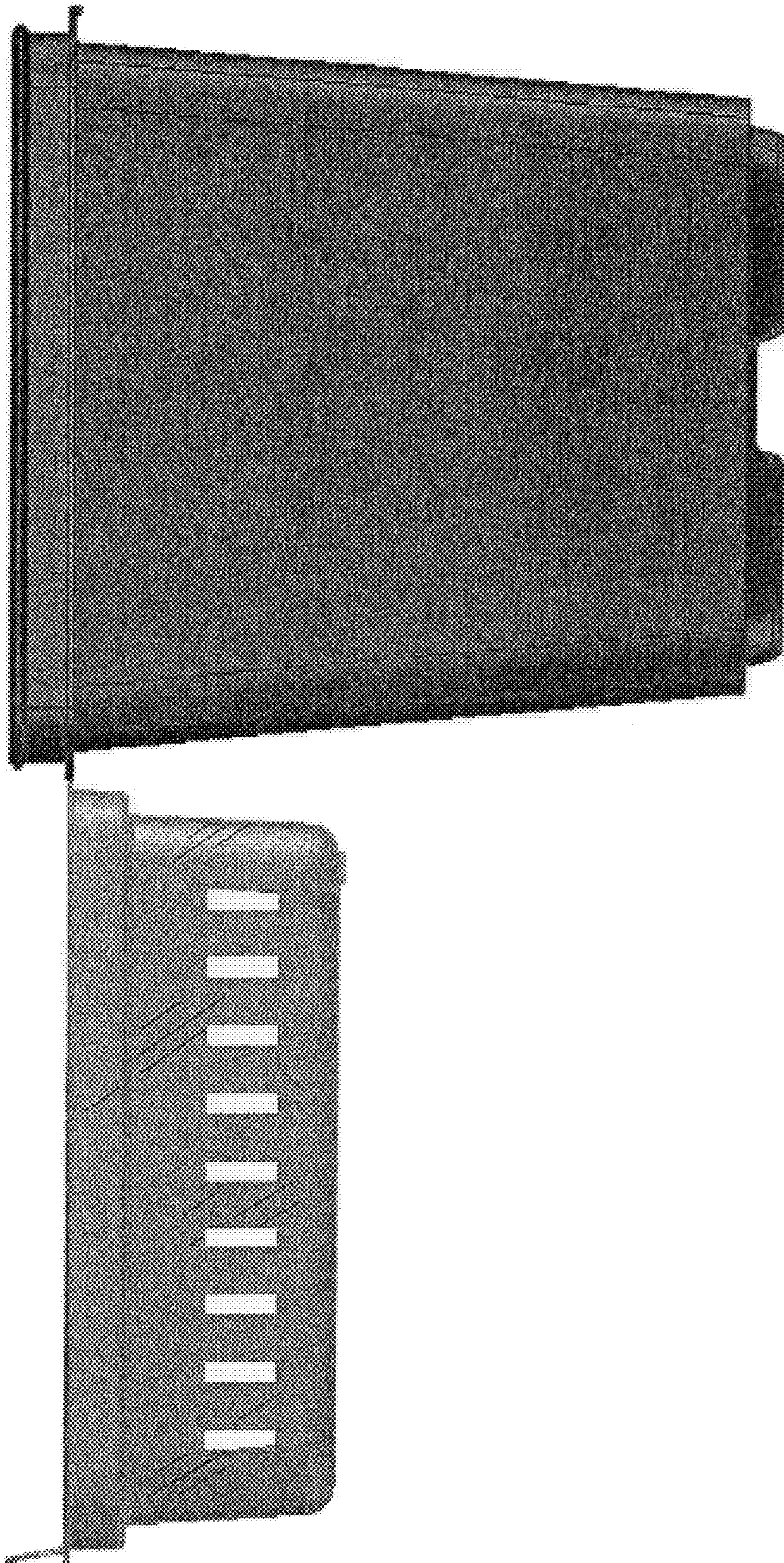


Fig. 3

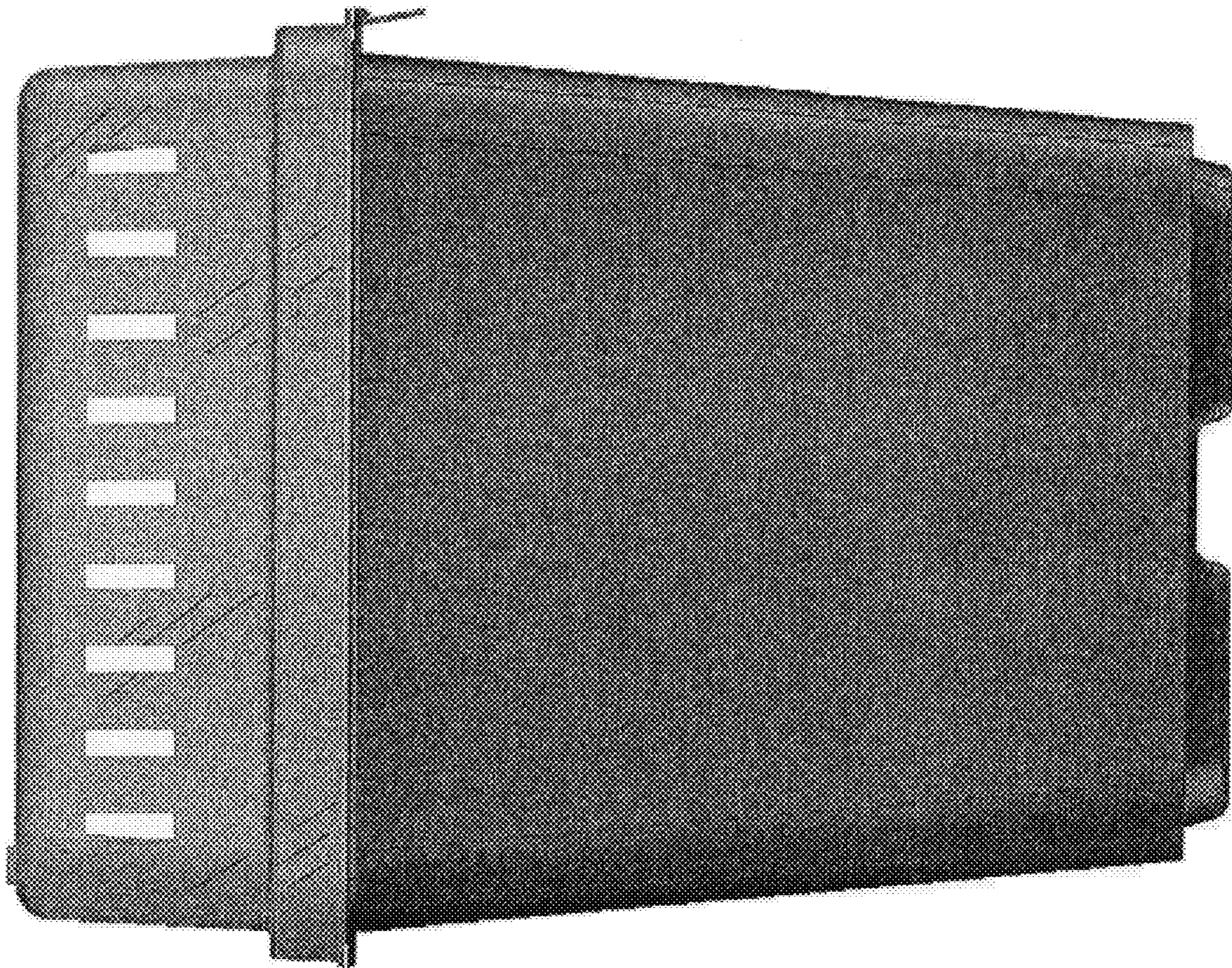


FIG. 4

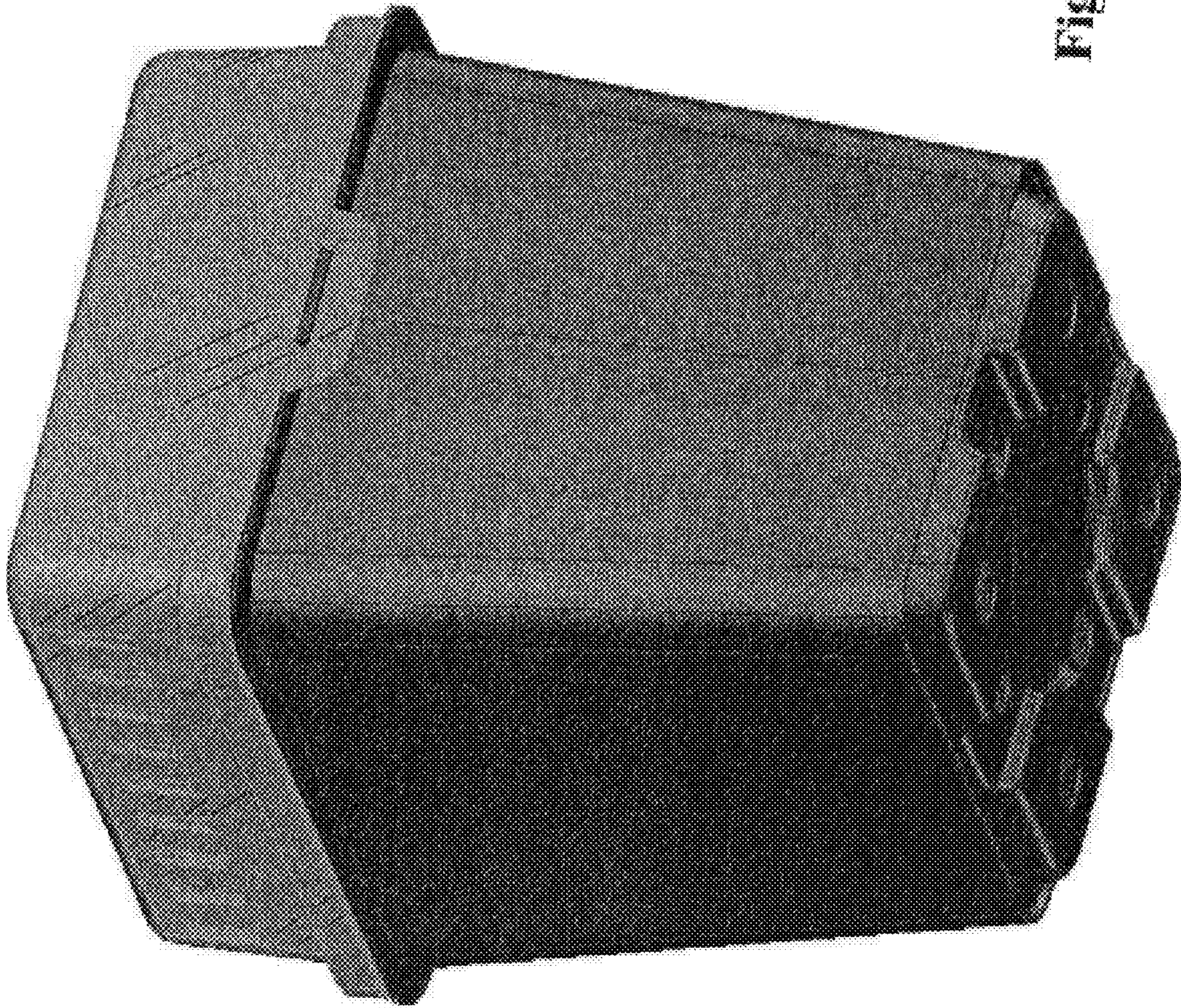


Fig. 5

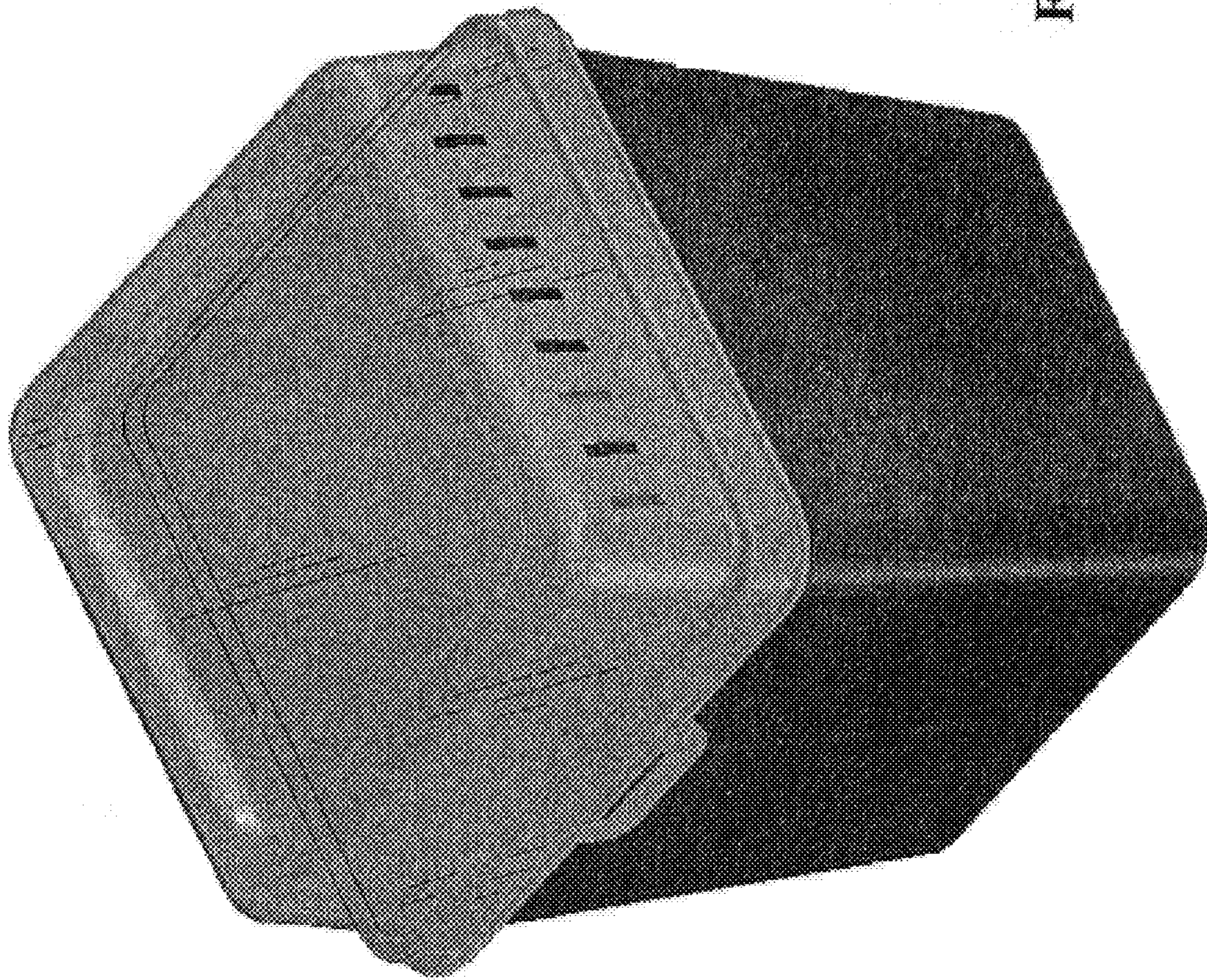


Fig. 6

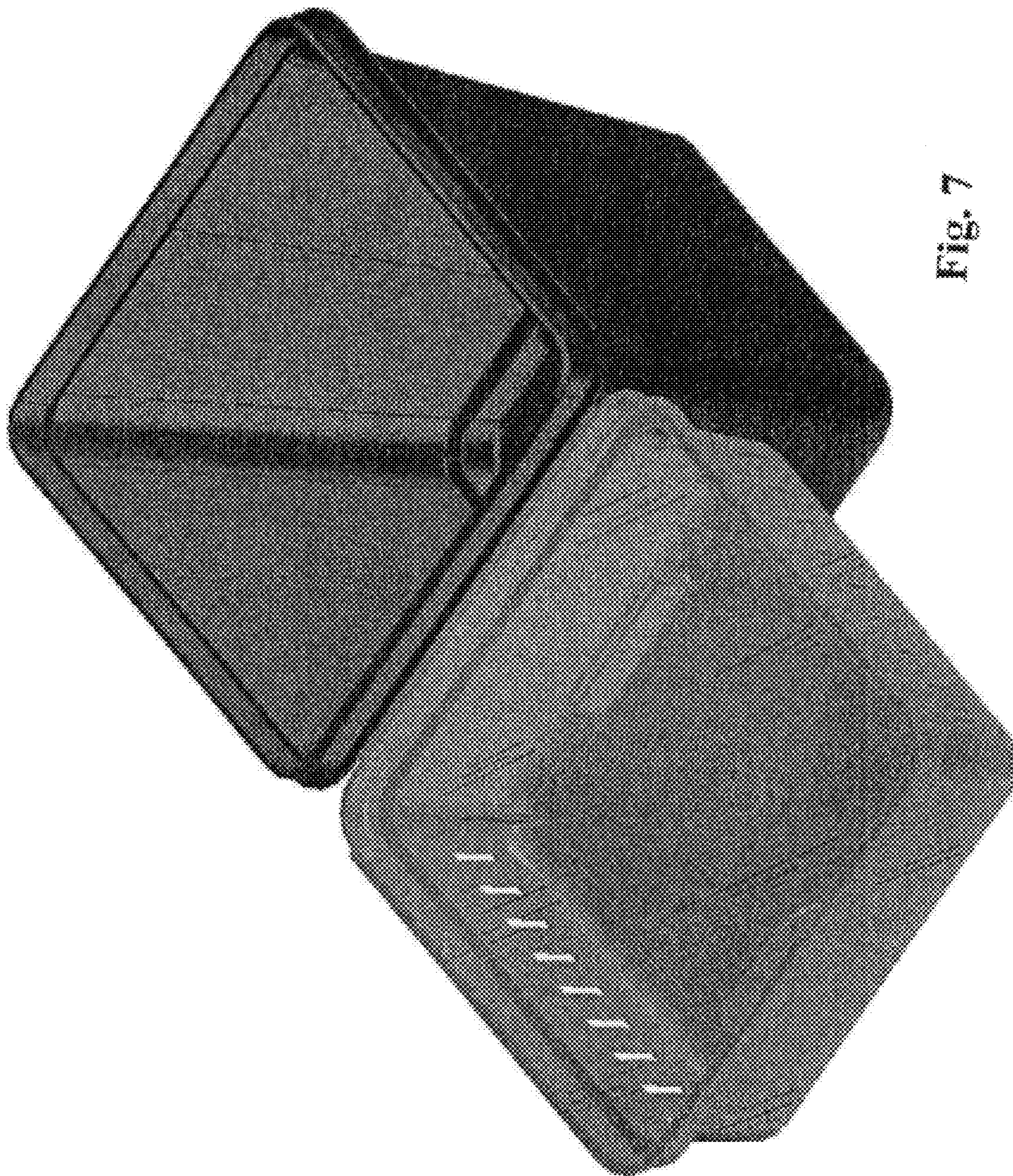


Fig. 7