



US00D562124S

(12) **United States Design Patent**
Hargis

(10) **Patent No.:** **US D562,124 S**

(45) **Date of Patent:** **** Feb. 19, 2008**

(54) **CLIP UNIT FOR INSTALLING MEDALLIONS**

(75) Inventor: **Eddie Steven Hargis**, Rocky Mount, NC (US)

(73) Assignee: **Focal Point Products, Inc.**, Tarboro, NC (US)

(**) Term: **14 Years**

(21) Appl. No.: **29/273,650**

(22) Filed: **Mar. 8, 2007**

(51) **LOC (8) Cl.** **08-08**

(52) **U.S. Cl.** **D8/394**

(58) **Field of Classification Search** D8/356,
D8/371, 394-396, 354, 355; 24/16 R, 279;
248/49, 62, 74.1-74.4, 73

See application file for complete search history.

(56) **References Cited**

U.S. PATENT DOCUMENTS

| | | | | |
|--------------|------|--------|-------------------|---------|
| 2,503,468 | A * | 4/1950 | Carey | 172/654 |
| D318,409 | S * | 7/1991 | Garrett | D8/72 |
| 5,219,386 | A * | 6/1993 | Kletzmaier et al. | 70/277 |
| D337,255 | S * | 7/1993 | Novelli, Sr. | D8/356 |
| 5,861,742 | A * | 1/1999 | Miller et al. | 324/156 |
| 6,439,093 | B1 * | 8/2002 | Davies | 83/687 |
| 2004/0144710 | A1 * | 7/2004 | Bassett et al. | 210/234 |
| 2005/0067342 | A1 * | 3/2005 | Bassett et al. | 210/418 |
| 2007/0012727 | A1 * | 1/2007 | Licari | 222/167 |

* cited by examiner

Primary Examiner—Stella M. Reid
Assistant Examiner—John Windmuller

(74) *Attorney, Agent, or Firm*—Melvin I. Stoltz

(57) **CLAIM**

The ornamental design for a clip unit for installing medallions, as shown and described.

DESCRIPTION

FIG. 1 is a perspective view of a clip unit for installing medallions showing my new design;

FIG. 2 is a front elevational view of the support base portion;

FIG. 3 is a left side elevational view thereof, the right side elevational view being a mirror image thereof;

FIG. 4 is a bottom plan view thereof;

FIG. 5 is a top plan view thereof;

FIG. 6 is a front elevational view of the marking post portion;

FIG. 7 is a left side elevational view thereof, the right side elevational view being a mirror image thereof;

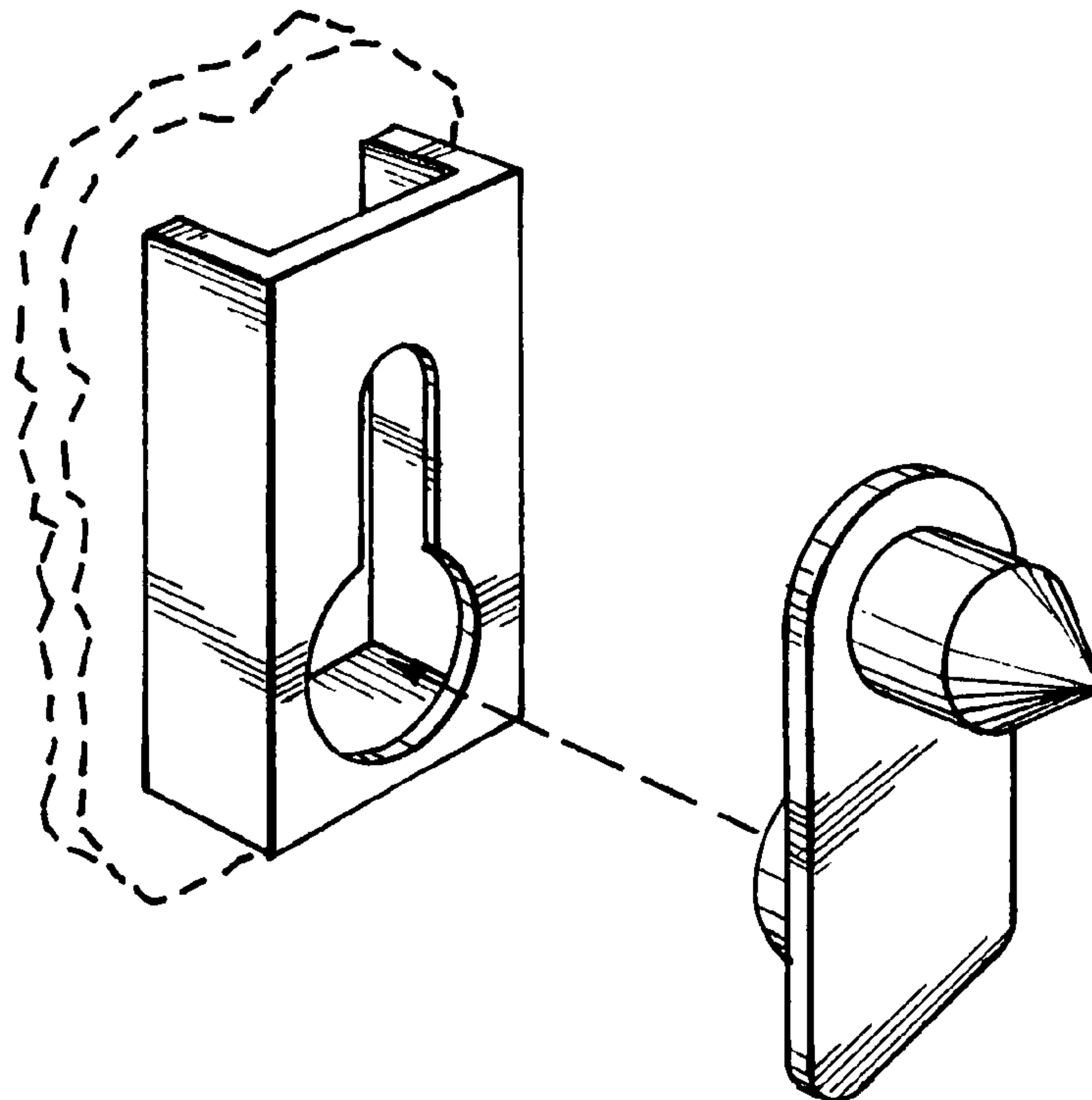
FIG. 8 is a rear elevational view thereof;

FIG. 9 is a top plan view thereof; and,

FIG. 10 is a bottom plan view thereof;

The broken line showing in FIGS. 1-5 is included for the purpose of illustrating environment and forms no part of the claimed design.

1 Claim, 2 Drawing Sheets



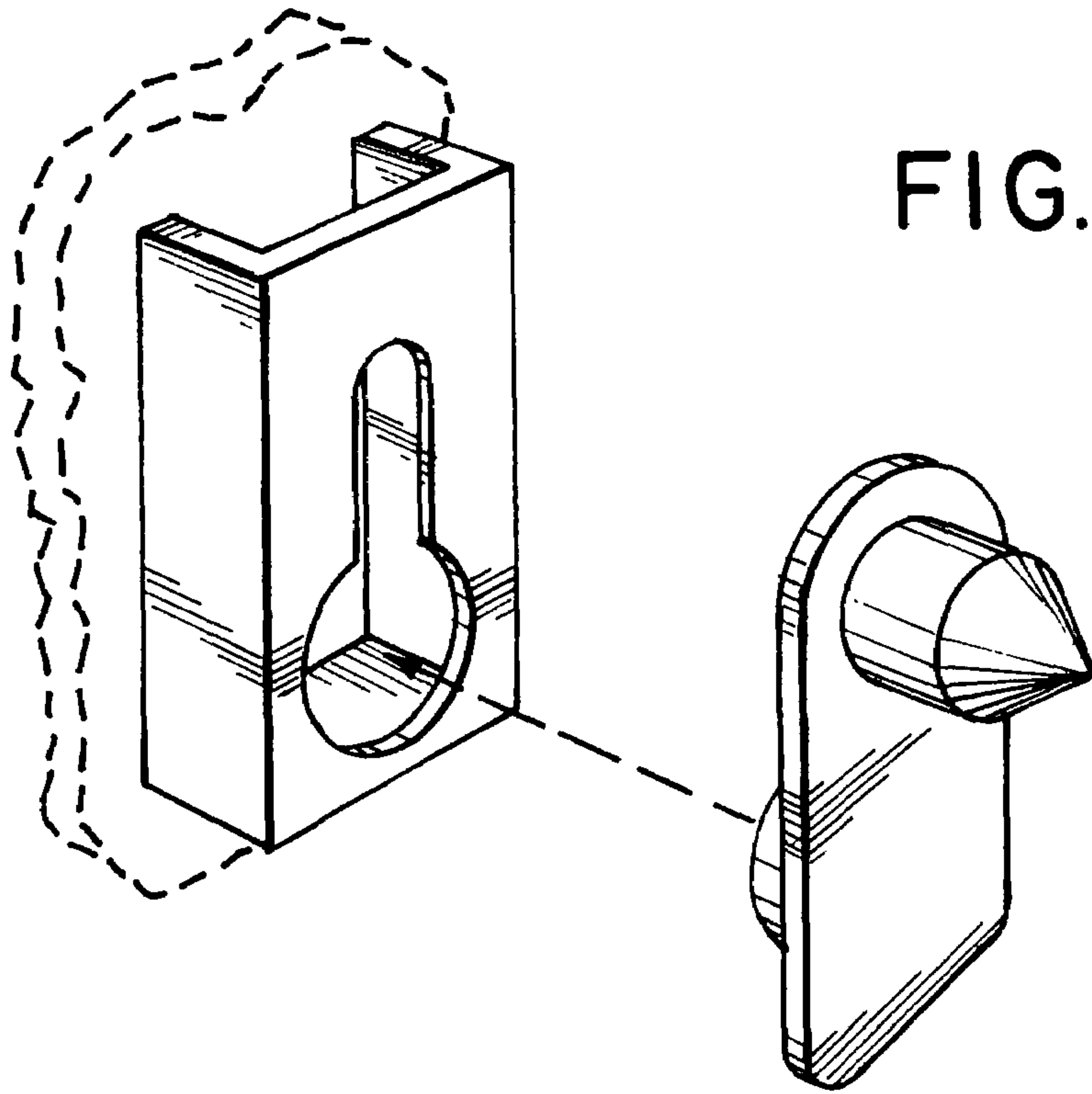


FIG. 1

FIG. 2

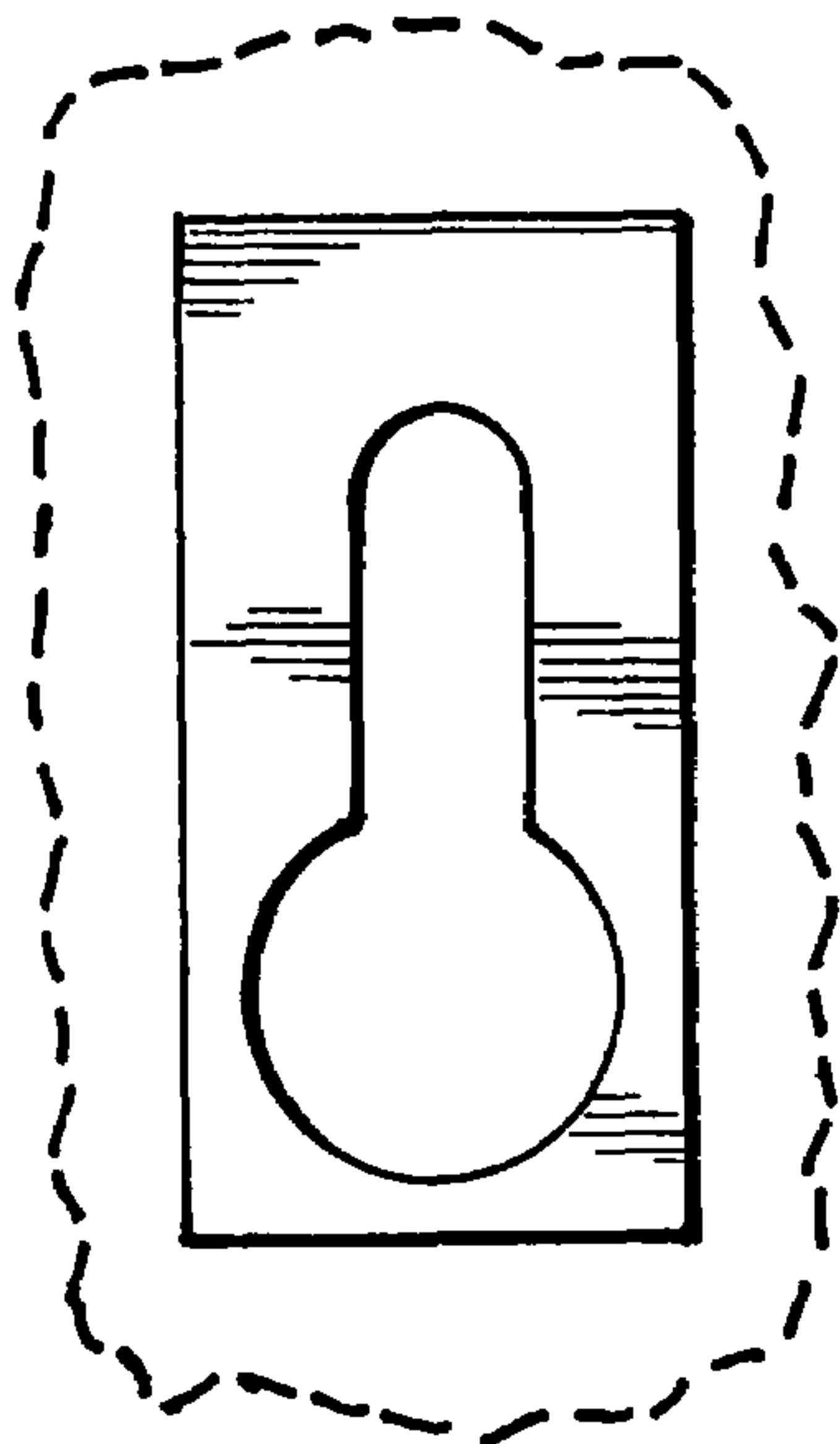


FIG. 3

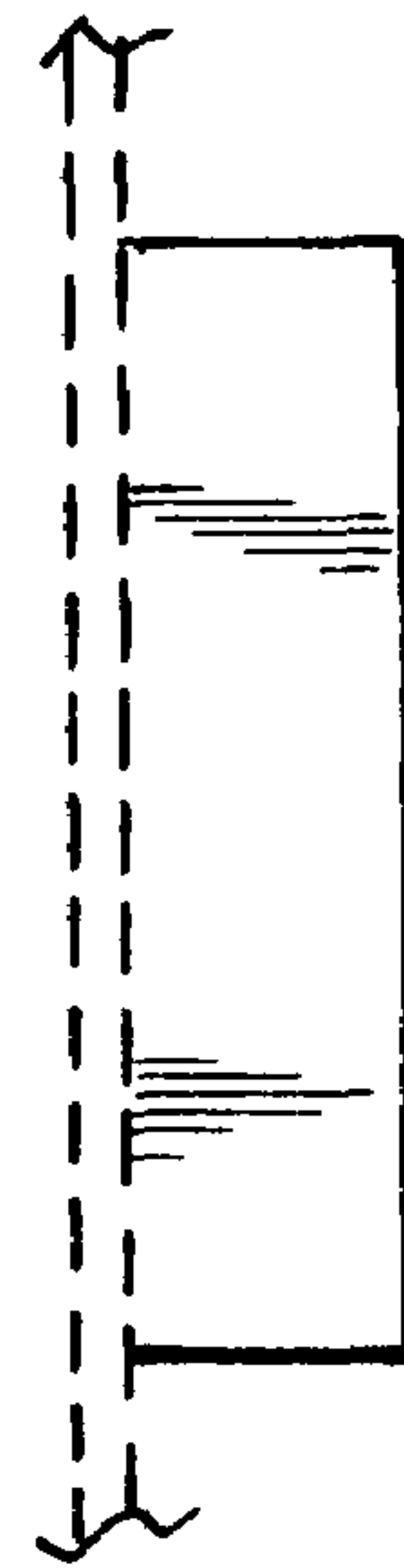


FIG. 4

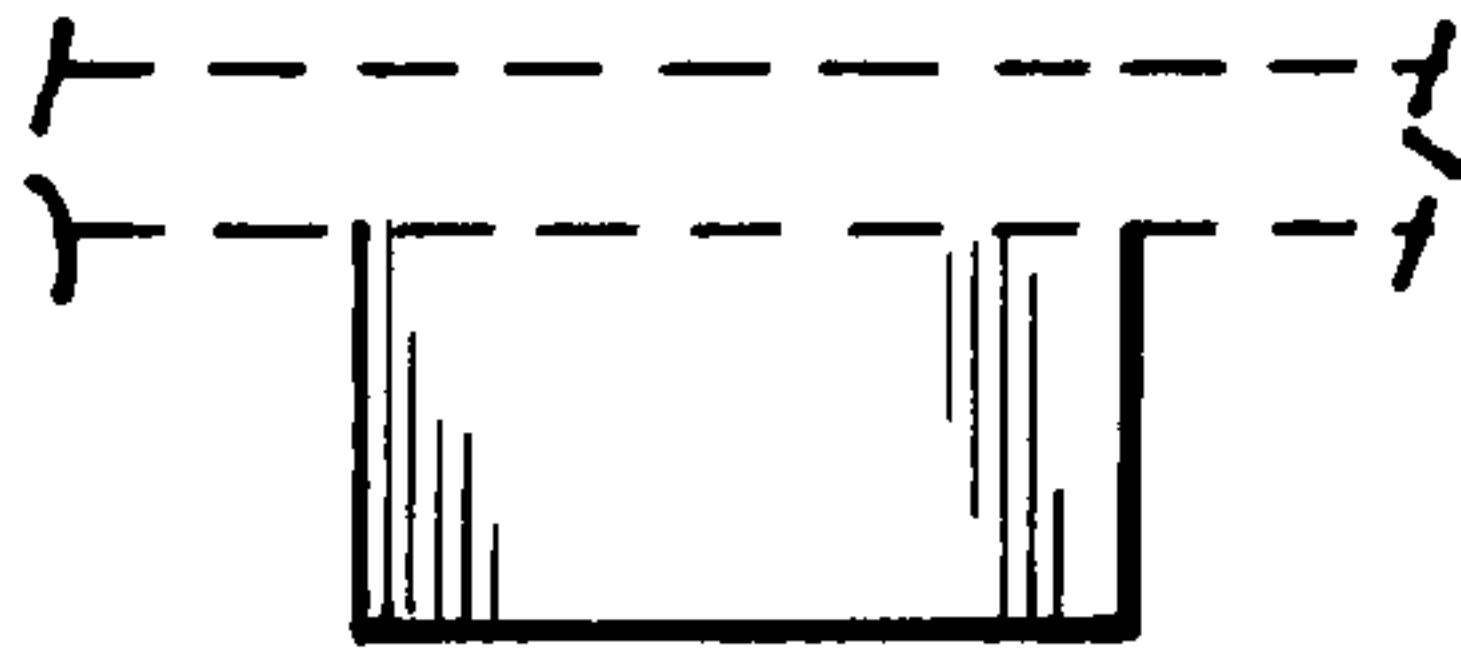


FIG. 5

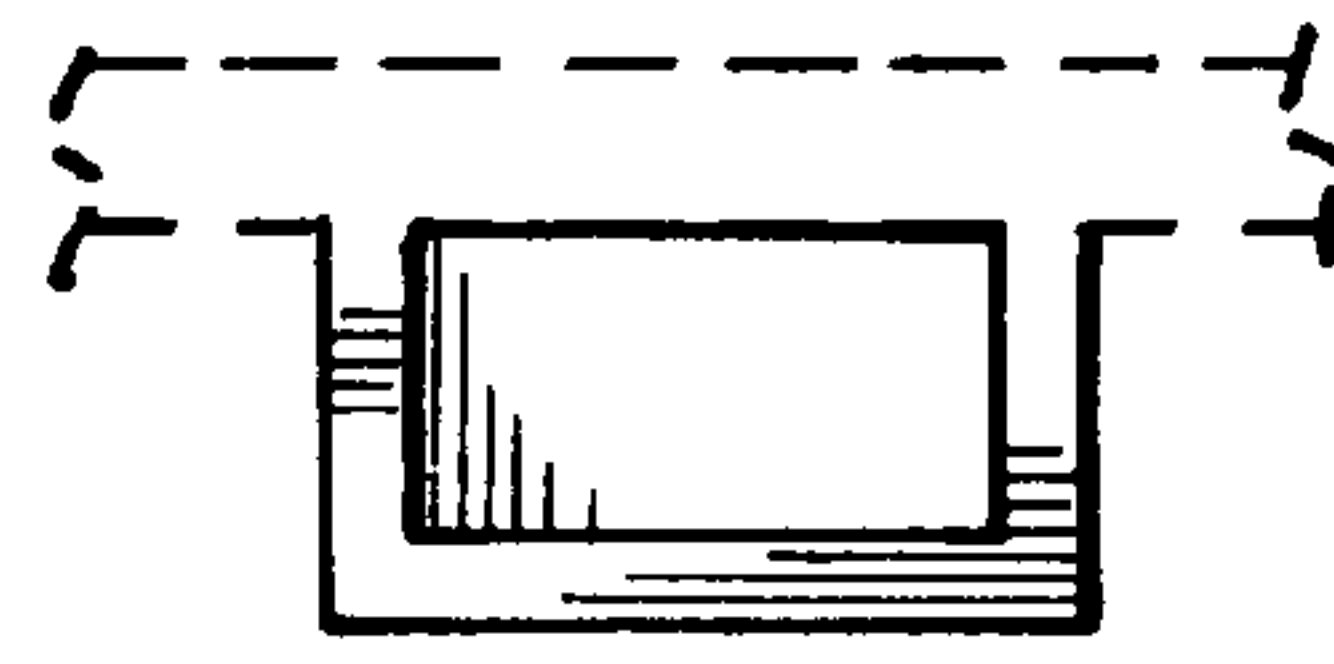


FIG. 6

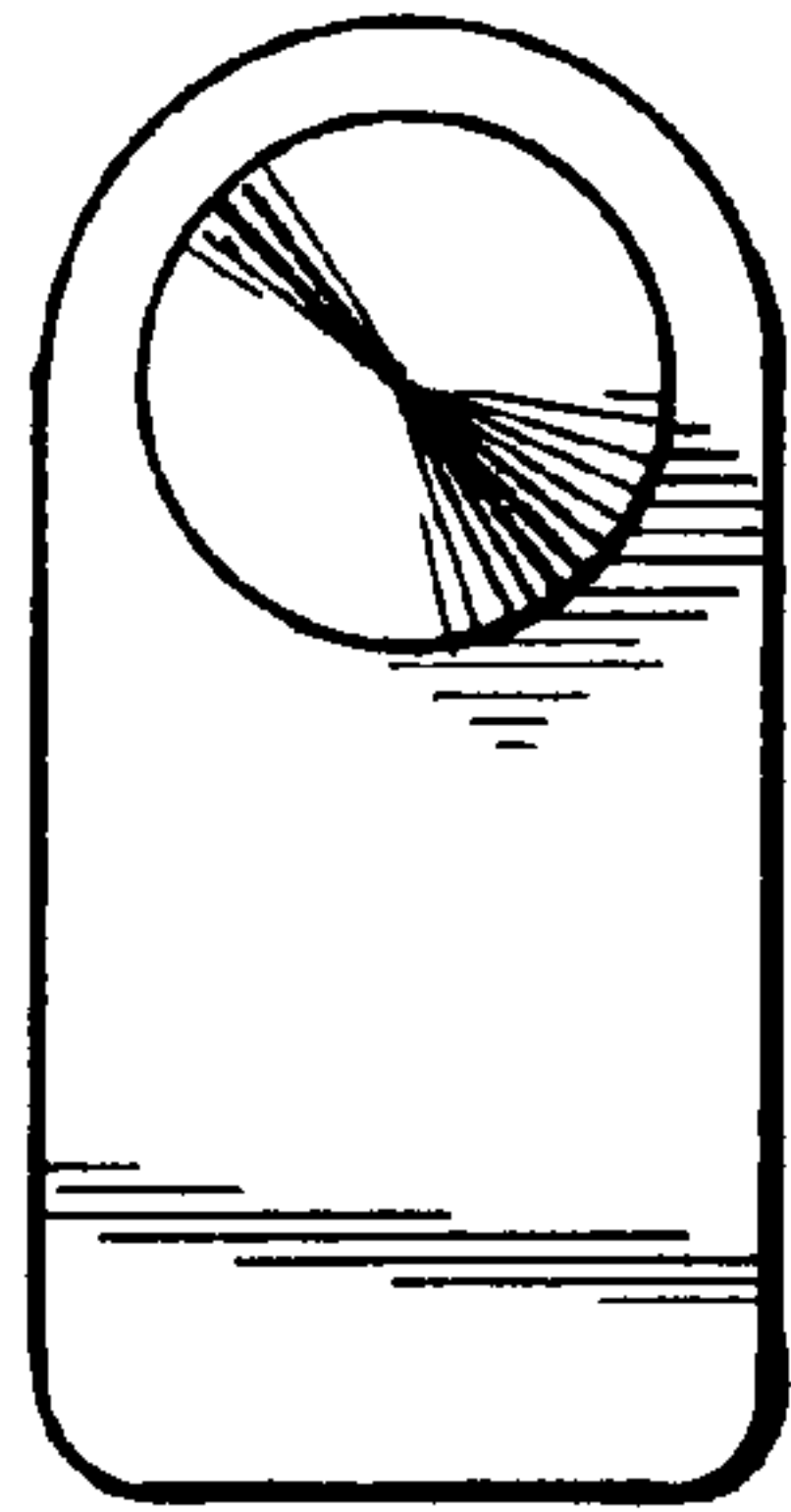


FIG. 7

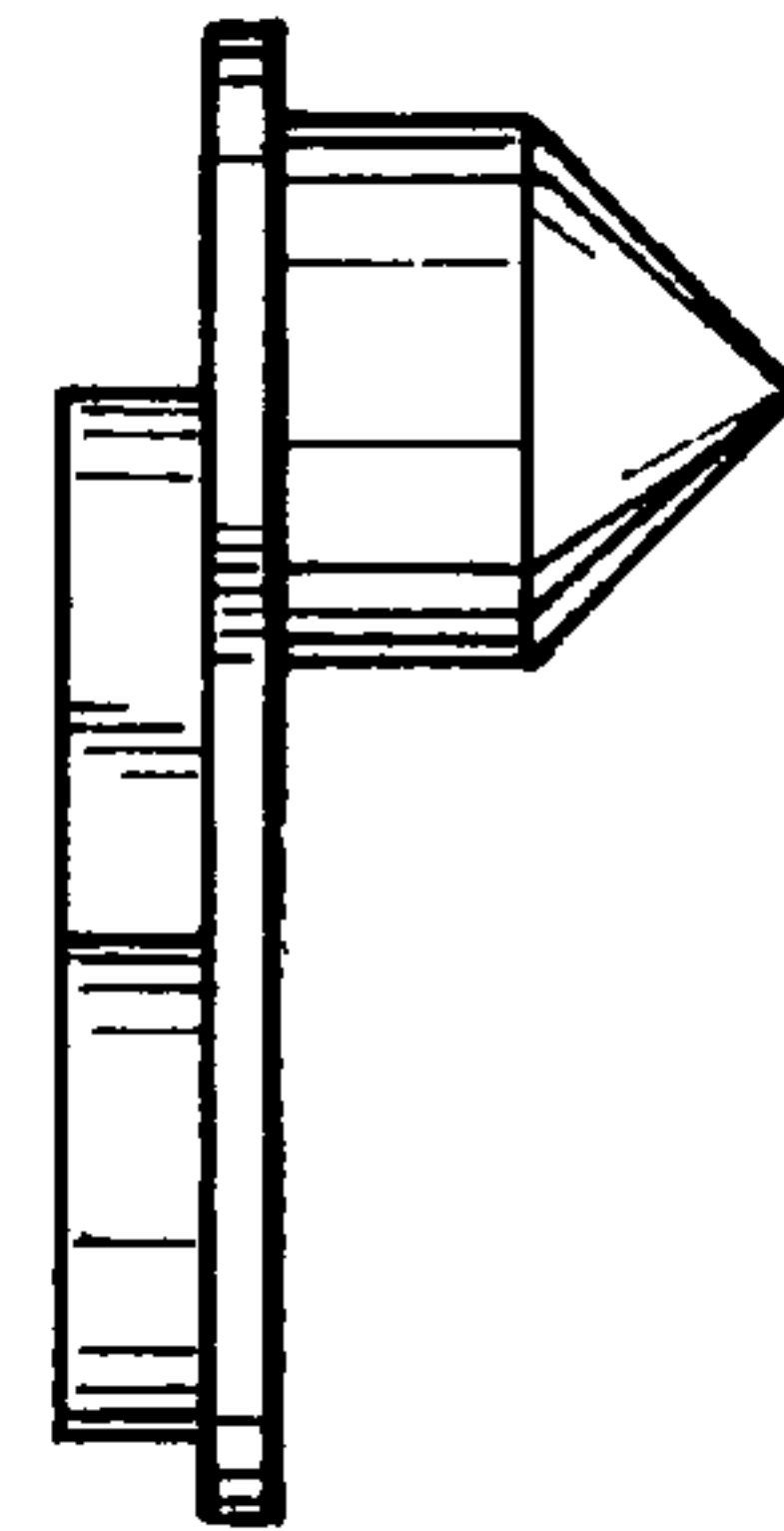


FIG. 8

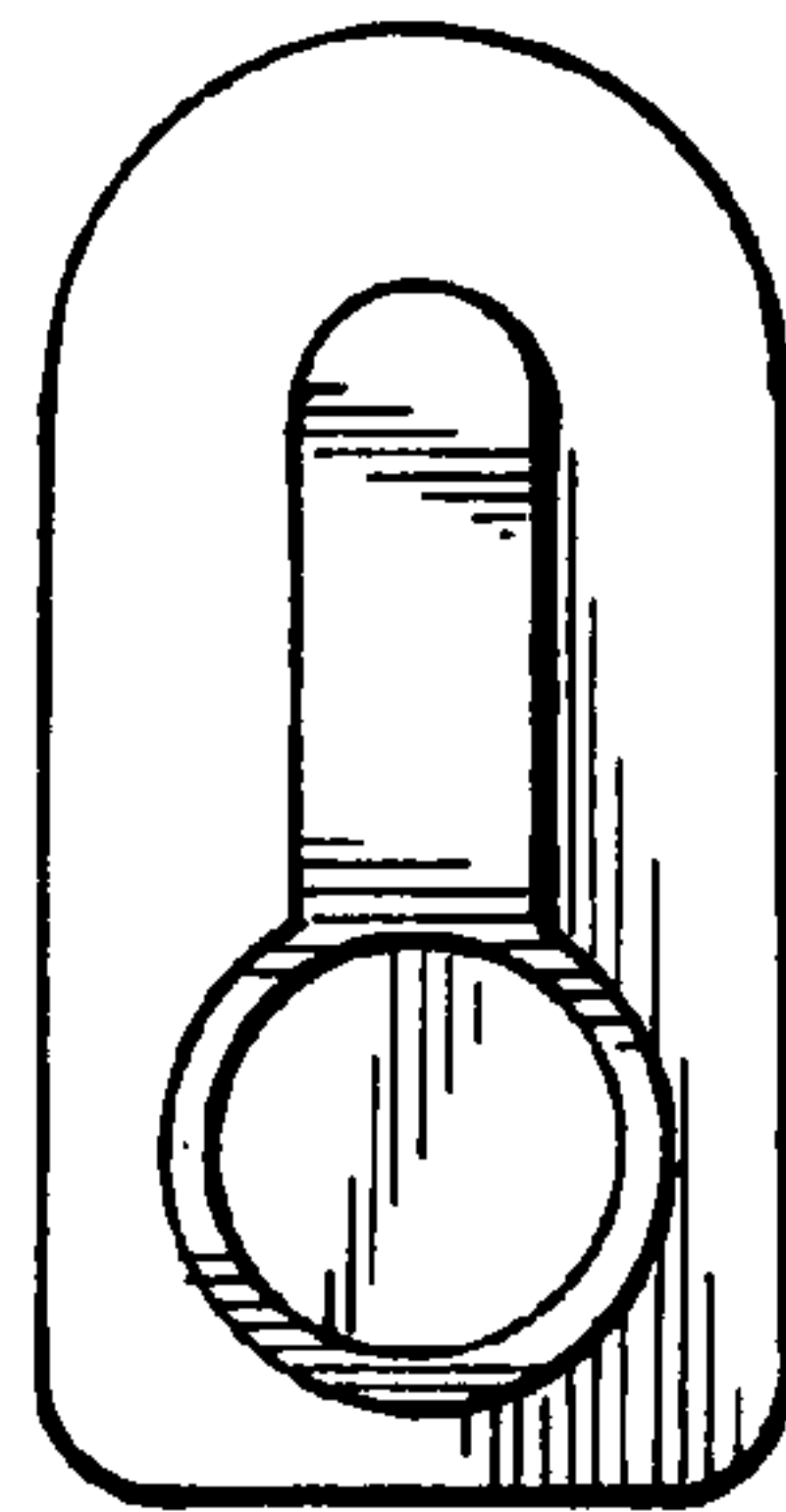


FIG. 9

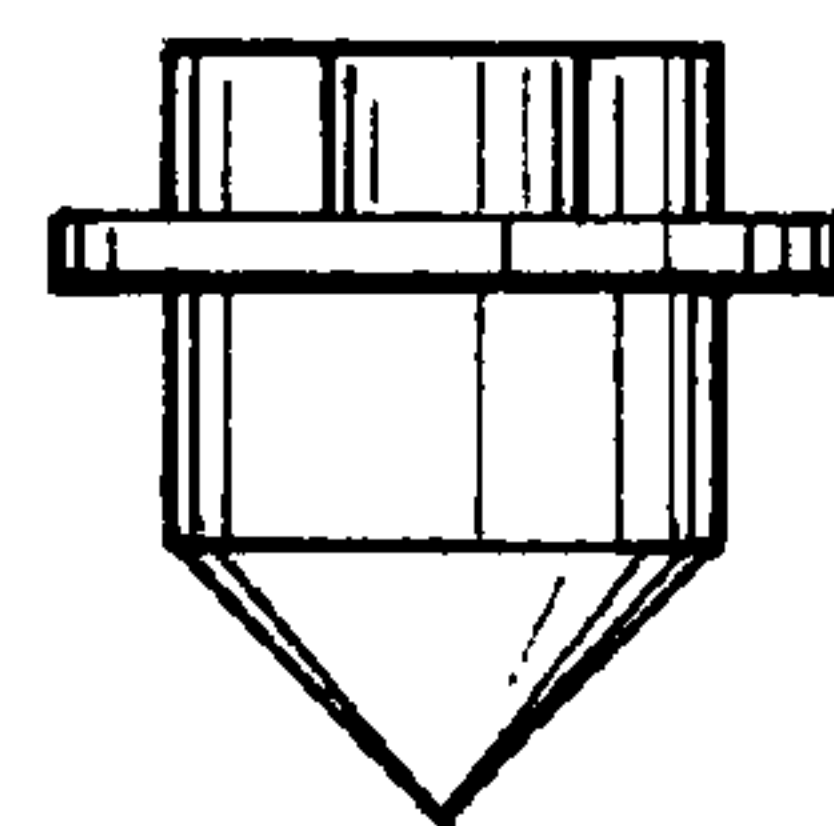


FIG. 10

