



US00D562123S

(12) **United States Design Patent**  
**Jackson**

(10) **Patent No.:** **US D562,123 S**

(45) **Date of Patent:** **\*\* Feb. 19, 2008**

- (54) **STRAP**
- (75) Inventor: **Trevor Jackson**, Kirtland, OH (US)
- (73) Assignee: **Emerald Innovations, LLC**, Butler, PA (US)
- (\*\*) Term: **14 Years**
- (21) Appl. No.: **29/253,314**
- (22) Filed: **Feb. 3, 2006**
- (51) **LOC (8) Cl.** ..... **02-07**
- (52) **U.S. Cl.** ..... **D8/394; D11/200**
- (58) **Field of Classification Search** ..... D8/356, D8/383, 394, 396; 24/16 PB, 17 AB, 30.5 P, 24/30.5 S, 300-302, 339, DIG. 16, 164, 24/336; 248/58, 60, 74.3; D11/200, 216, D11/218

See application file for complete search history.

(56) **References Cited**

**U.S. PATENT DOCUMENTS**

- 2,807,852 A \* 10/1957 Rave ..... 24/197
- 3,145,442 A \* 8/1964 Brown ..... 24/639
- 3,241,800 A 3/1966 Richter, III
- 3,345,028 A 10/1967 Lawrie
- 3,746,294 A 7/1973 Johnston
- 3,785,604 A 1/1974 Steck
- 3,852,855 A \* 12/1974 Bengtsson ..... 24/265 EE
- 4,325,529 A 4/1982 Seebinger
- 4,744,537 A 5/1988 Buckley
- 4,932,576 A 6/1990 Ashley
- 4,934,644 A 6/1990 Nagy et al.
- D327,455 S \* 6/1992 Blair ..... D11/216
- 5,117,779 A 6/1992 Karow
- D333,640 S 3/1993 Keller
- 5,245,516 A 9/1993 de Haas et al.
- 5,263,675 A 11/1993 Roberts et al.
- 5,277,390 A 1/1994 Olson et al.

- D344,967 S 3/1994 Webster
- 5,301,911 A 4/1994 Beauchemin
- 5,310,151 A 5/1994 Engel
- 5,500,959 A 3/1996 Yewer, Jr.
- 5,593,121 A 1/1997 Tackett
- 5,732,915 A 3/1998 Heard
- 5,740,591 A 4/1998 Hopkins
- 5,901,418 A \* 5/1999 Hopkins ..... 24/302
- 5,966,865 A 10/1999 Jones
- 6,065,722 A 5/2000 Le Vasseur et al.
- 6,581,891 B1 6/2003 Byrd
- 6,588,400 B2 7/2003 Gyoergy
- 6,766,992 B1 7/2004 Parker
- 6,862,861 B1 3/2005 Lin
- 6,896,229 B1 5/2005 Westgate
- D508,872 S 8/2005 Hoepfner
- 6,926,240 B2 8/2005 Goeller
- 6,974,908 B2 12/2005 White
- 6,991,204 B2 1/2006 Ay
- 2007/0062012 A1 \* 3/2007 Caison ..... 24/302

\* cited by examiner

*Primary Examiner*—Stella M. Reid  
*Assistant Examiner*—John Windmuller

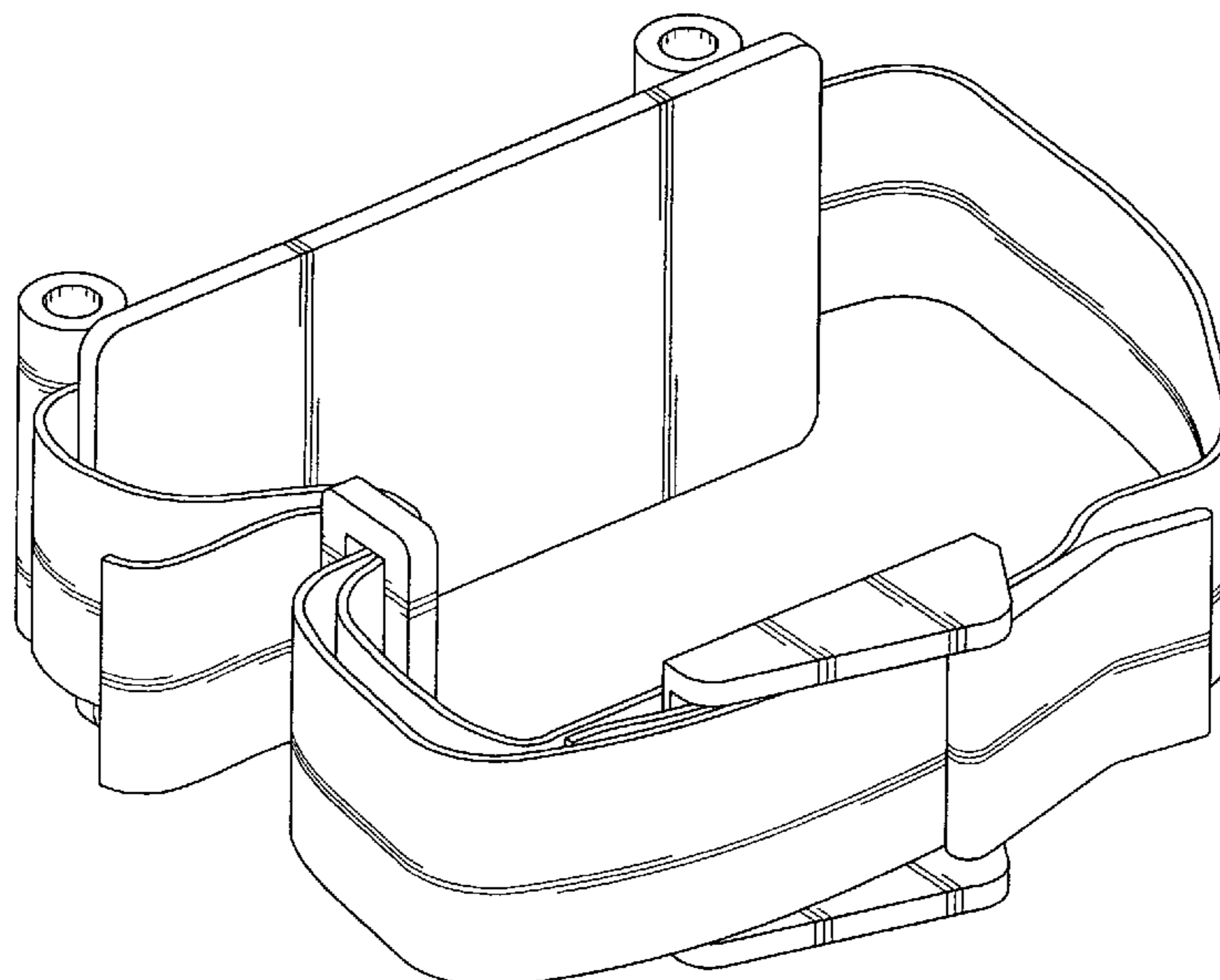
(57) **CLAIM**

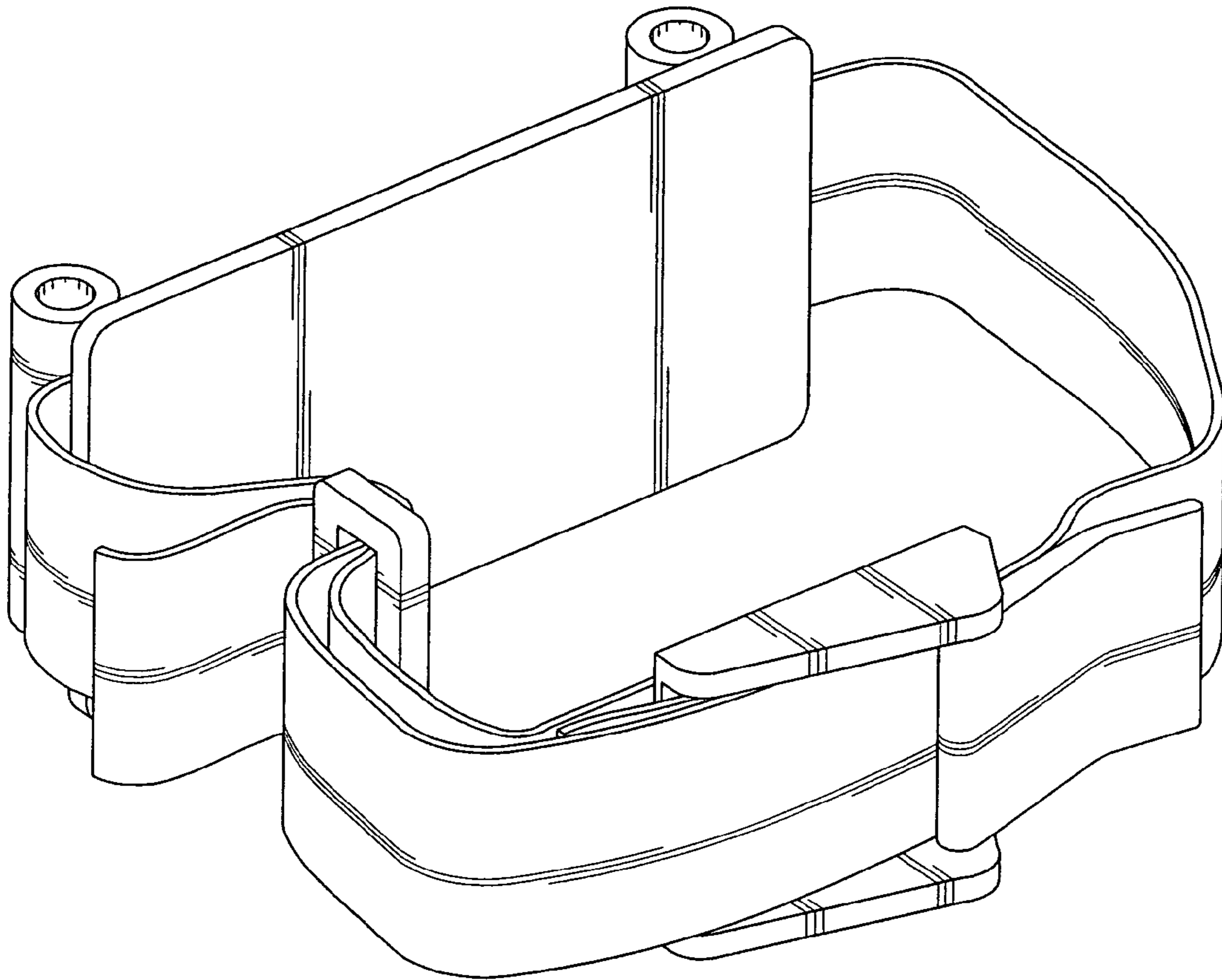
The ornamental design for a strap, as shown.

**DESCRIPTION**

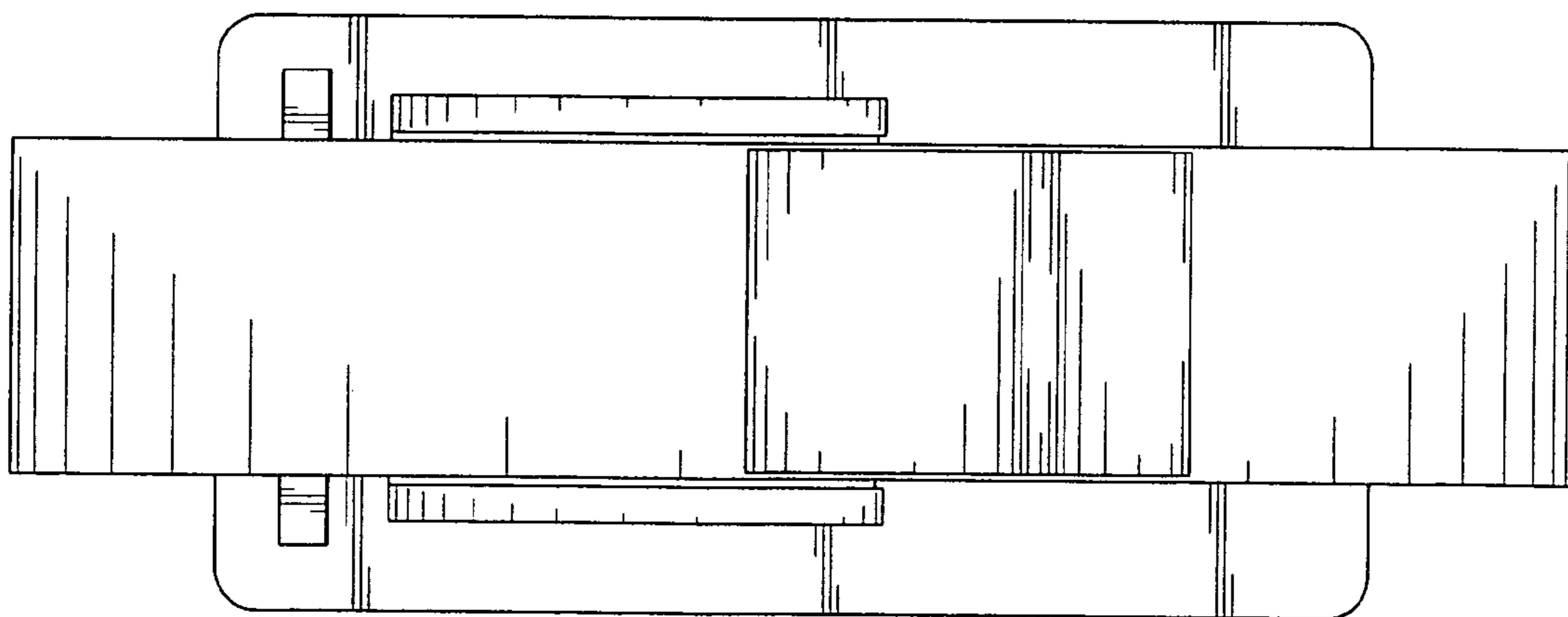
FIG. 1 is a perspective view of a strap of the new design; FIG. 2 is a front elevational view of the strap of FIG. 1; FIG. 3 is a rear elevational view of the strap of FIG. 1; FIG. 4 is a left side elevational view of the strap of FIG. 1; FIG. 5 is a right side elevational view of the strap of FIG. 1; FIG. 6 is a top plan view of the strap of FIG. 1; and, FIG. 7 is a bottom plan view of the strap of FIG. 1.

**1 Claim, 3 Drawing Sheets**

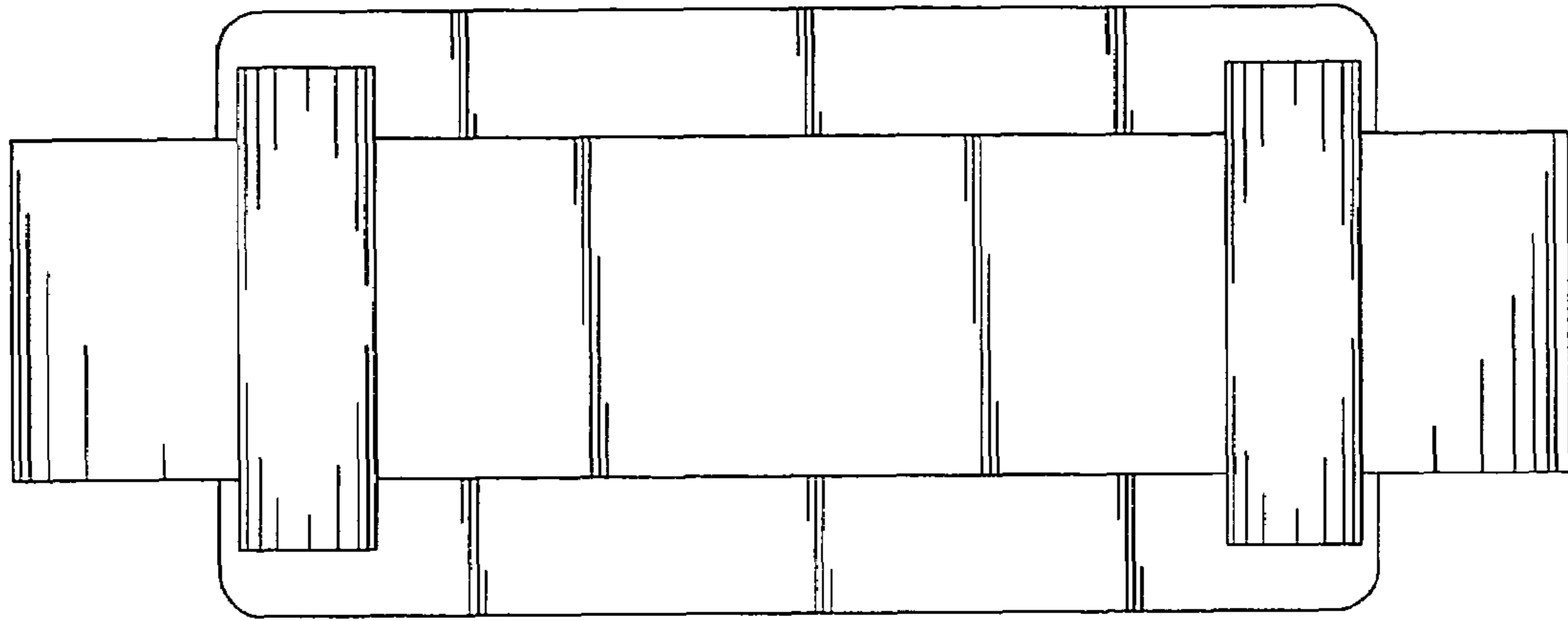




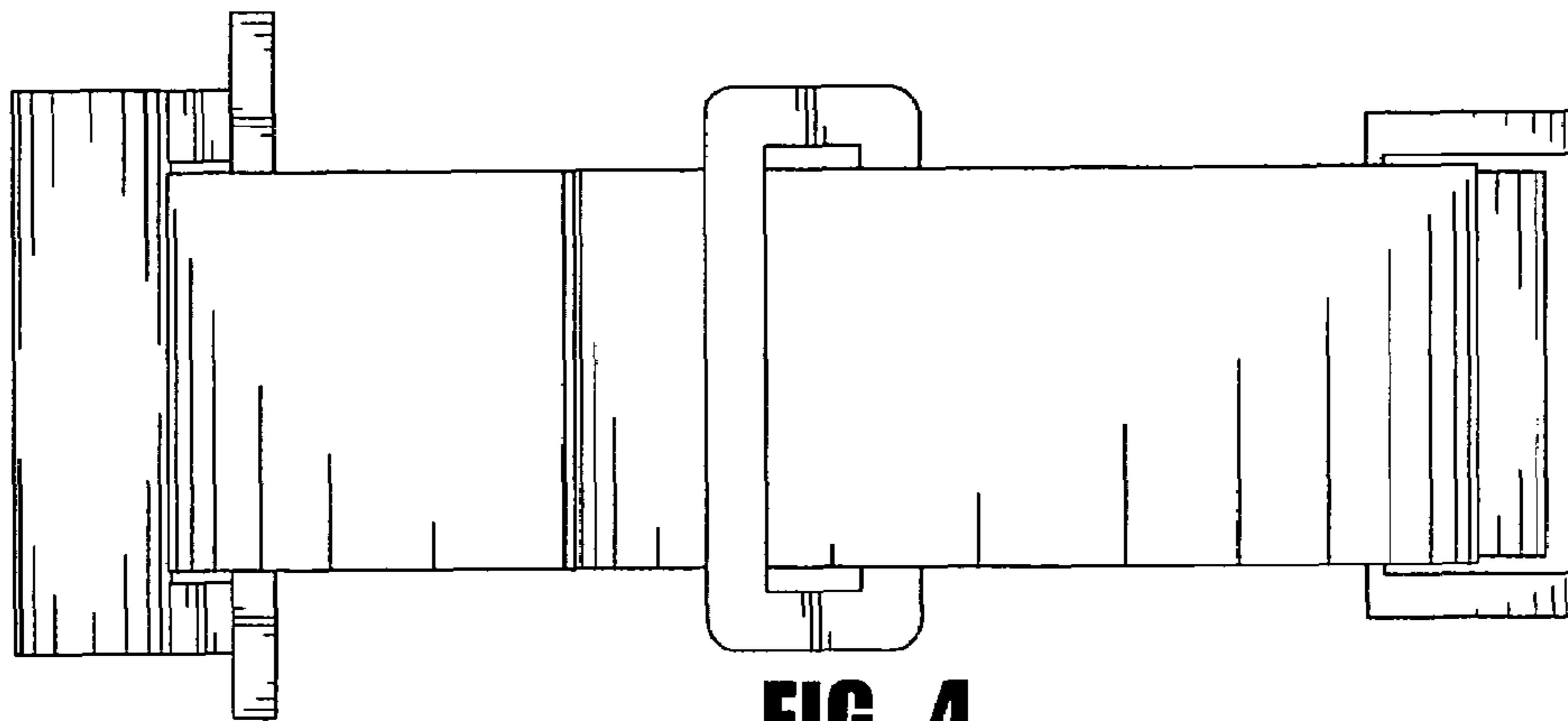
**FIG. 1**



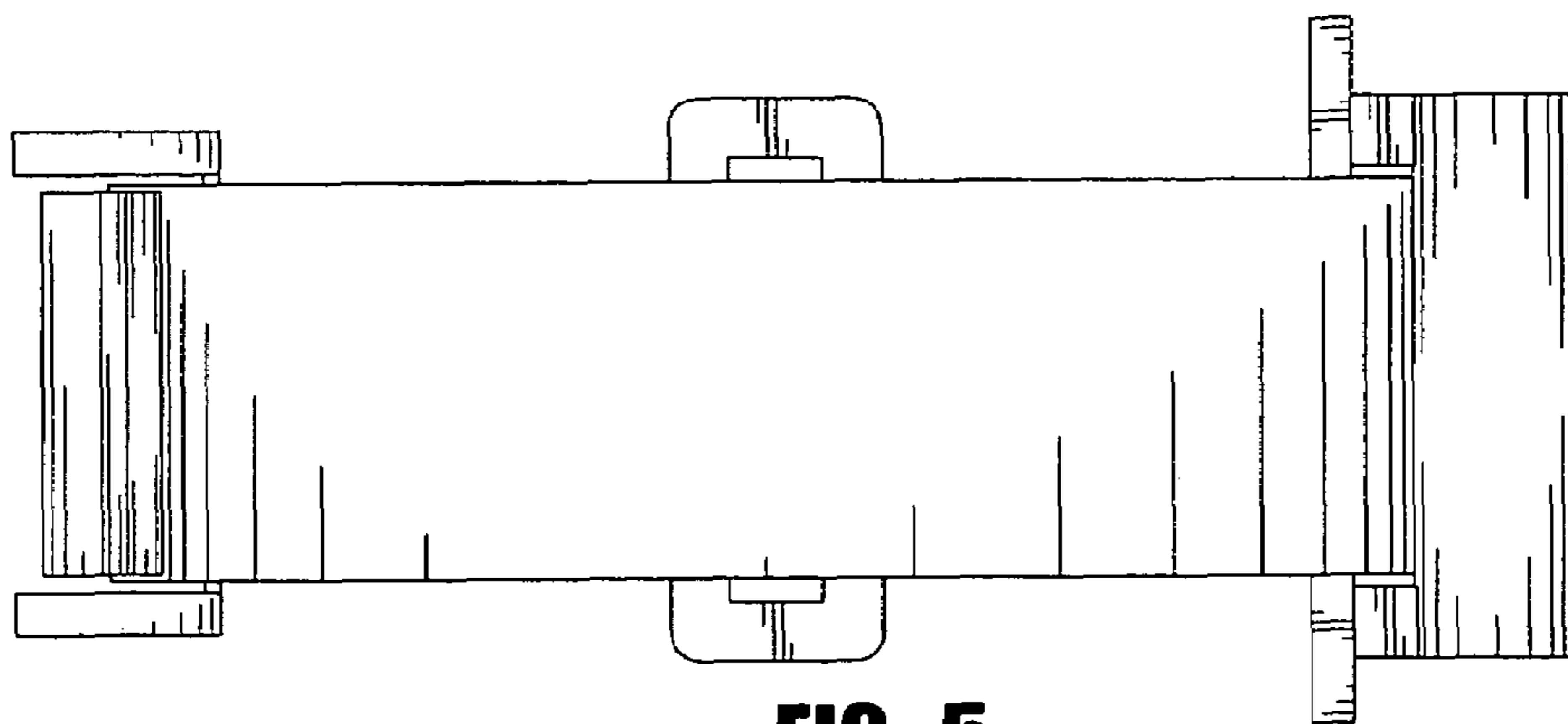
**FIG. 2**



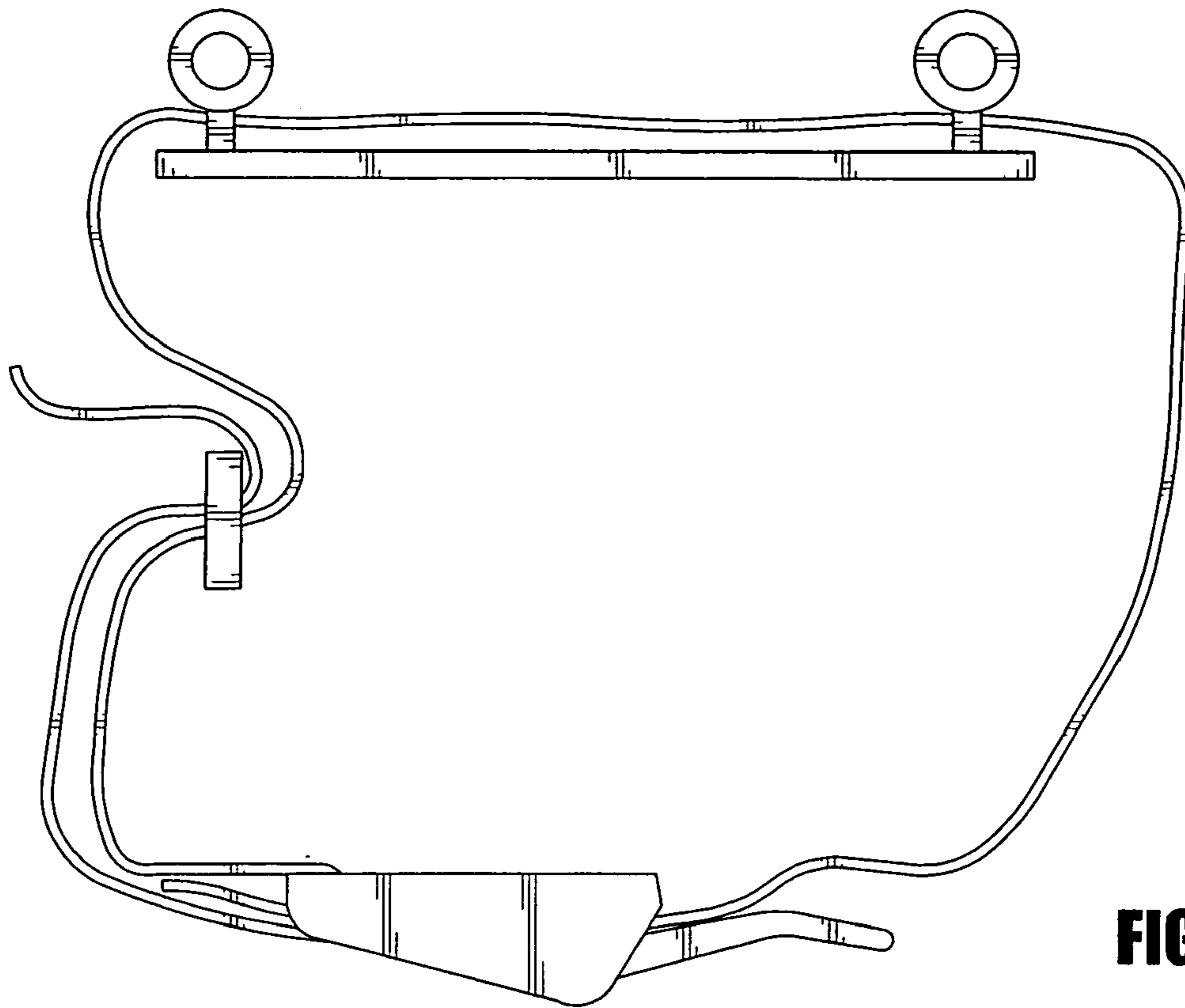
**FIG. 3**



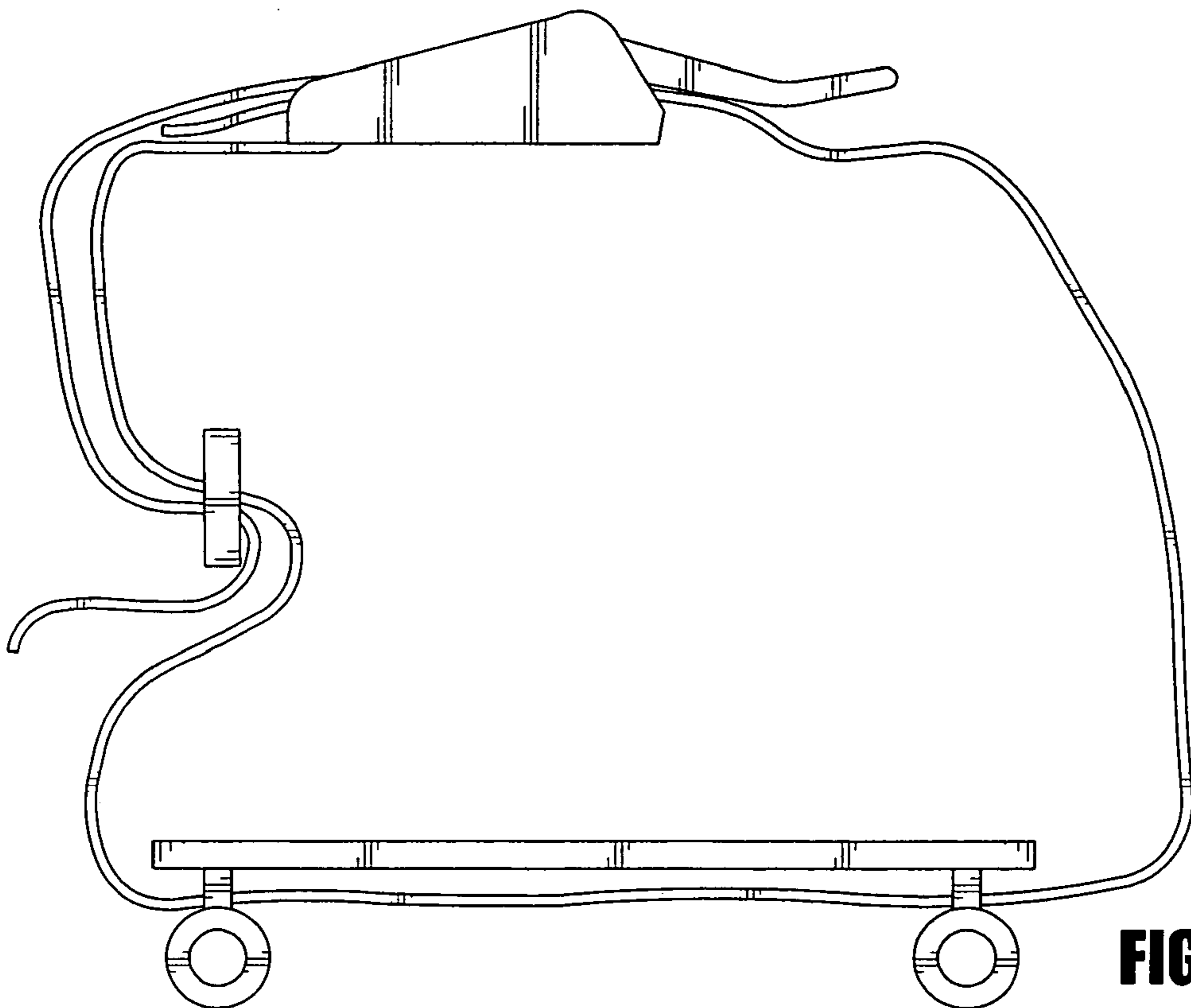
**FIG. 4**



**FIG. 5**



**FIG. 6**



**FIG. 7**