



US00D562120S

(12) **United States Design Patent**  
**Henderson**

(10) **Patent No.:** **US D562,120 S**

(45) **Date of Patent:** **\*\* Feb. 19, 2008**

(54) **STRUCTURAL FASTENER**

(76) Inventor: **Andrew G. Henderson**, 414 FM 2827,  
Warren, TX (US) 77664

(\*\*) Term: **14 Years**

(21) Appl. No.: **29/265,728**

(22) Filed: **Sep. 8, 2006**

(51) **LOC (8) Cl.** ..... **08-08**

(52) **U.S. Cl.** ..... **D8/382**

(58) **Field of Classification Search** ..... D8/382,  
D8/383, 385; 403/363; 52/726.1, 726.2  
See application file for complete search history.

(56) **References Cited**

U.S. PATENT DOCUMENTS

3,054,482	A *	9/1962	Lassen	52/479
3,221,466	A *	12/1965	Downing, Jr. et al.	52/726.1
3,284,977	A *	11/1966	Lickliter et al.	52/506.07
3,288,489	A *	11/1966	Jahn	403/285
3,399,915	A *	9/1968	Stanzak	403/219
3,427,054	A *	2/1969	Bergman	403/377
3,496,690	A *	2/1970	Jahn	52/232
3,732,021	A *	5/1973	Rizza et al.	404/57
3,751,870	A	8/1973	Vesei	
3,845,601	A	11/1974	Kostecky	
3,846,031	A *	11/1974	Adams	403/28
3,900,269	A	8/1975	Pavlot	
3,928,950	A *	12/1975	Beynon	52/726.2
3,974,619	A *	8/1976	Turner	52/716.2
4,056,180	A *	11/1977	Gunti	193/35 J
4,161,856	A *	7/1979	Brown et al.	52/667
4,174,911	A *	11/1979	Maccario et al.	403/303
4,305,677	A	12/1981	Kowalski	
4,389,828	A *	6/1983	Cary	52/665
4,499,697	A *	2/1985	LaLonde	52/98
4,516,874	A	5/1985	Yang et al.	
4,549,383	A *	10/1985	Vukmanic et al.	52/667
4,685,262	A *	8/1987	Meredith, Jr.	52/232

5,394,669	A *	3/1995	Hallett et al.	52/506.07
5,465,929	A	11/1995	Dooley	
5,707,028	A *	1/1998	Roeper	244/118.5
5,740,642	A *	4/1998	Koenig et al.	52/255
5,813,179	A *	9/1998	Koenig et al.	52/255
5,865,271	A *	2/1999	Shalders	182/222
6,389,778	B1	5/2002	Strange	
6,393,788	B1 *	5/2002	Flores	52/365
6,729,100	B2 *	5/2004	Koski et al.	52/726.2

\* cited by examiner

*Primary Examiner*—Holly H. Baynham

*Assistant Examiner*—Sheryl Friedman

(74) *Attorney, Agent, or Firm*—Stephen R. Greiner

(57) **CLAIM**

The ornamental design for a structural fastener, as shown and described.

**DESCRIPTION**

FIG. 1 is a perspective view of a structural fastener showing my new design from above and from the front;

FIG. 2 is a perspective view thereof showing my new design from below and from the front;

FIG. 3 is a perspective view thereof showing my new design from above and from the rear;

FIG. 4 is a cross-sectional view thereof taken along line 4—4 of FIG. 1; and,

FIG. 5 is an exploded perspective view thereof showing my new design from above and from the front.

The broken lines showing threaded fasteners in FIGS. 1–4 are for demonstrative purposes only and form no part of the claimed design.

The figure drawings are shown broken away on either side to illustrate an indeterminate length.

**1 Claim, 3 Drawing Sheets**

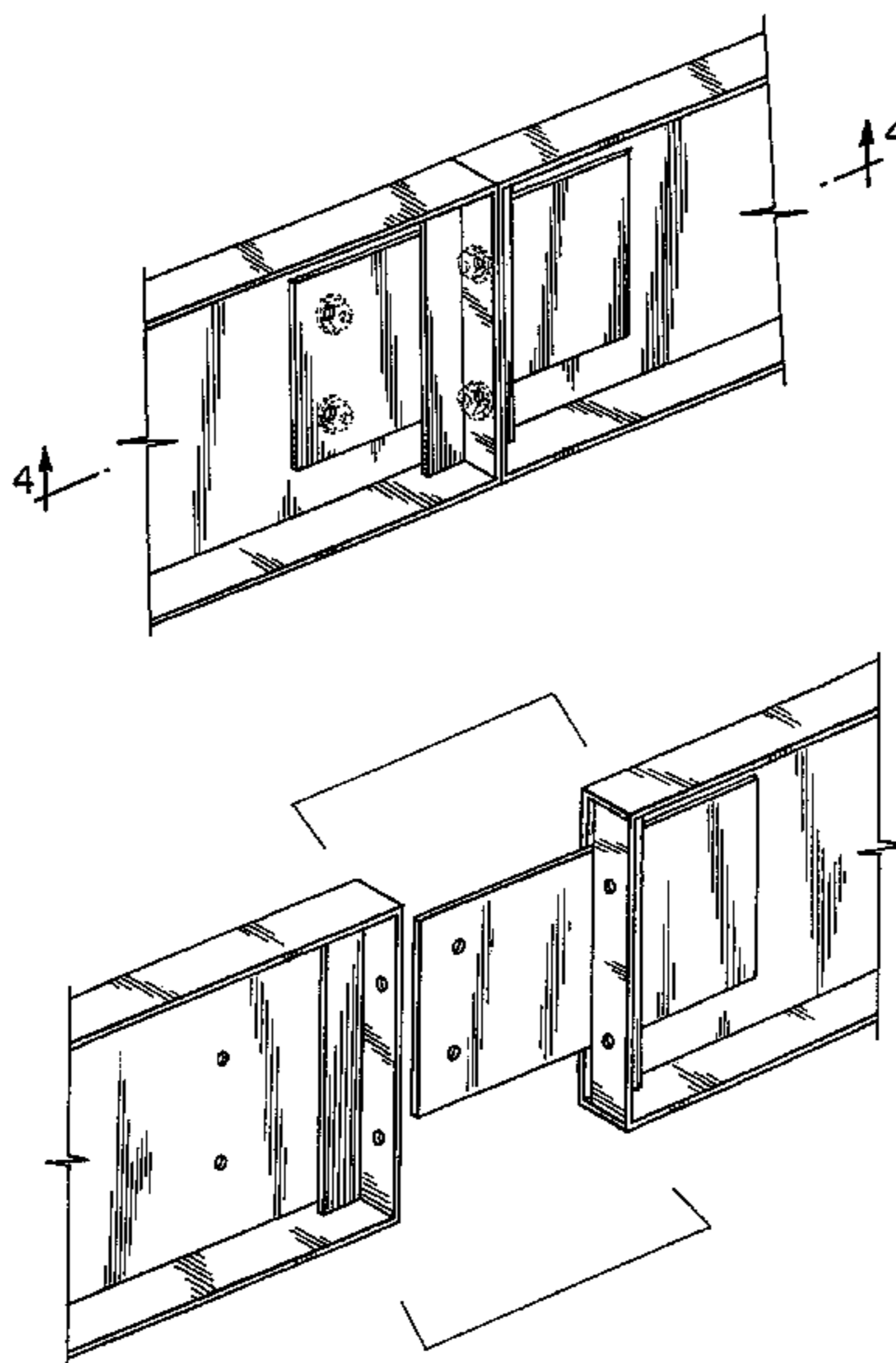


FIG. 1

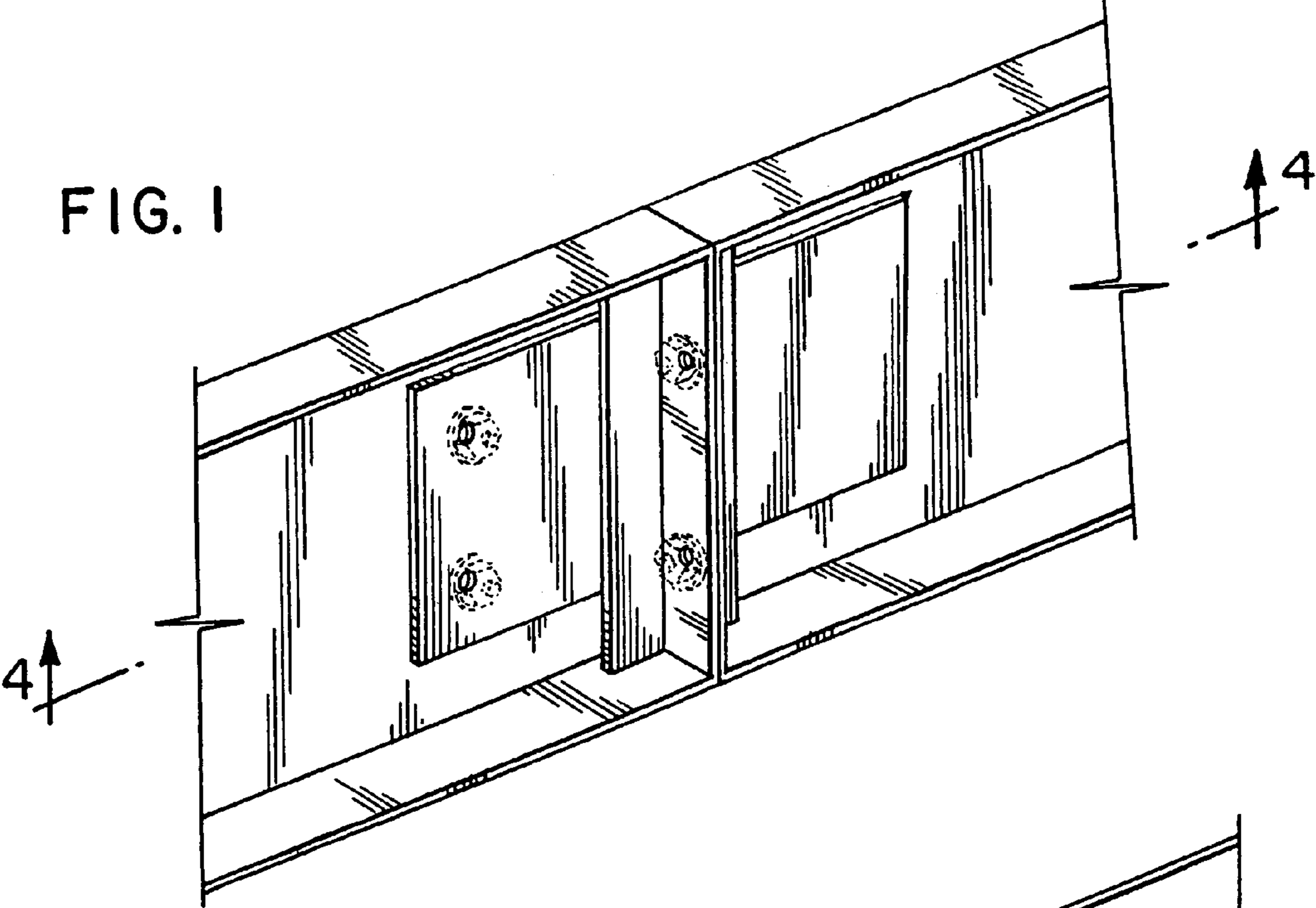


FIG. 2

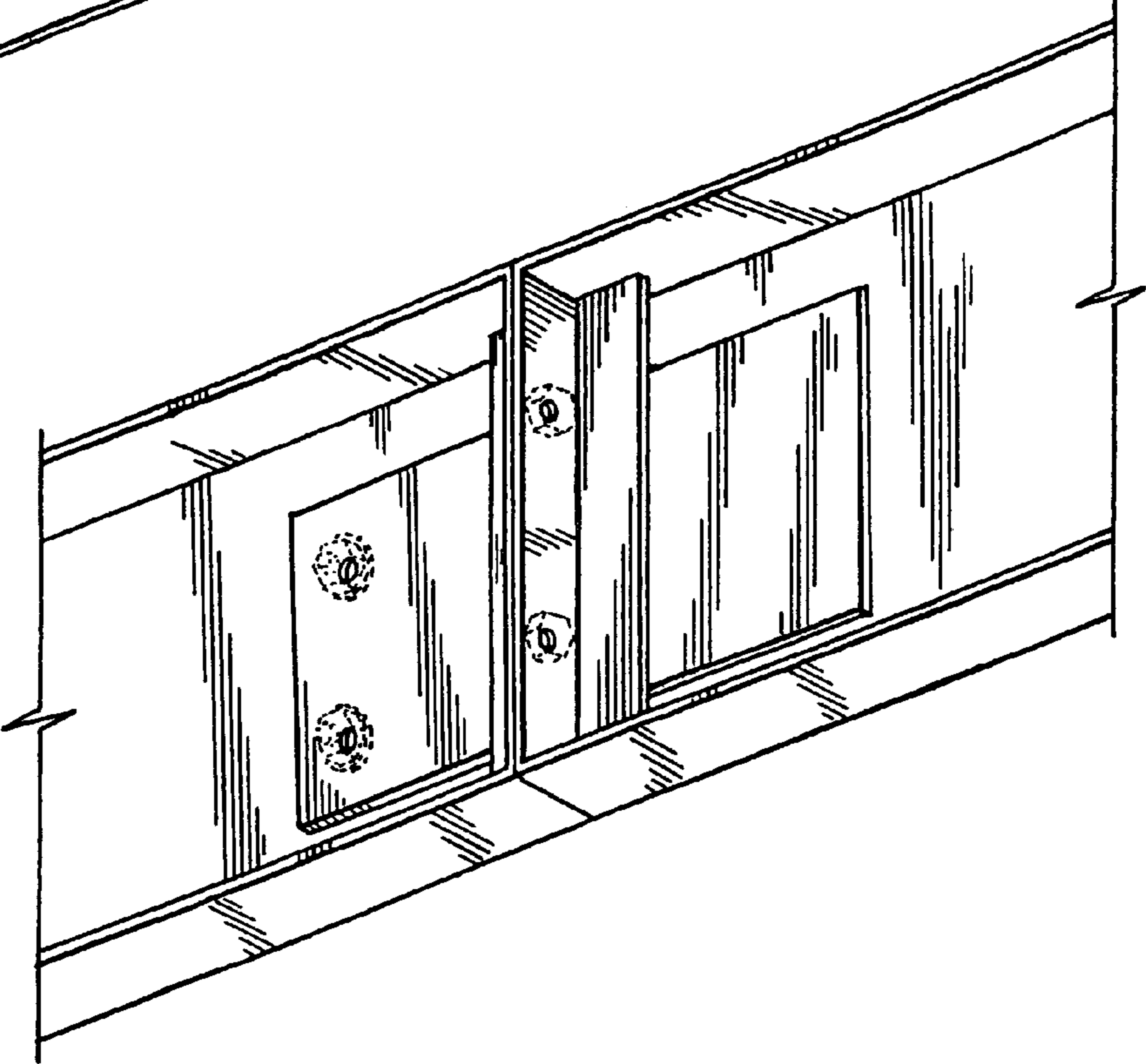


FIG. 3

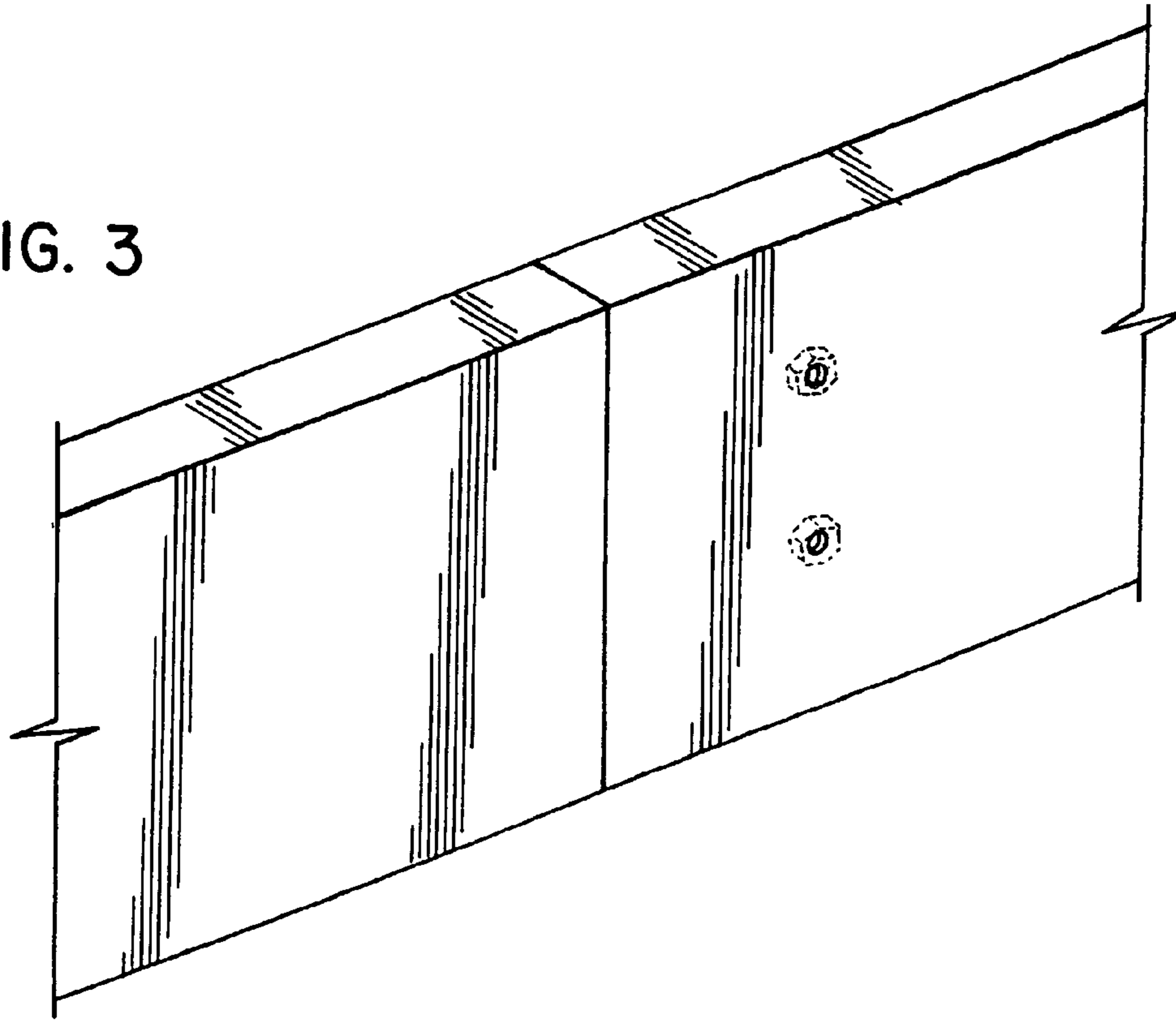


FIG. 4

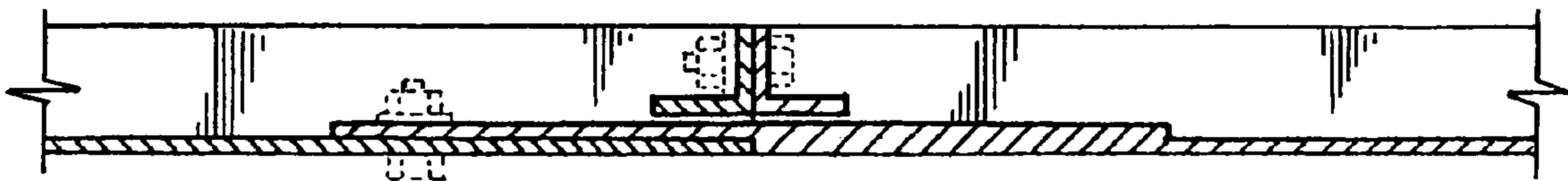


FIG. 5

