



US00D562119S

(12) **United States Design Patent**
Prichard, Jr. et al.

(10) **Patent No.:** **US D562,119 S**
(45) **Date of Patent:** **** Feb. 19, 2008**

(54) **DECK FASTENER WITHOUT SPACER**

(76) Inventors: **William Jacob Prichard, Jr.**, 26086
Wyndham Rd., Sturgis, MI (US) 49091;
Randal Lee Johnson, 25890 Mintdale
Rd., Sturgis, MI (US) 49091

(**) Term: **14 Years**

(21) Appl. No.: **29/261,713**

(22) Filed: **Jun. 20, 2006**

(51) **LOC (8) Cl.** **08-08**

(52) **U.S. Cl.** **D8/382**

(58) **Field of Classification Search** D8/382,
D8/380; 411/458, 461; 52/480, 489.2
See application file for complete search history.

(56) **References Cited**

U.S. PATENT DOCUMENTS

D327,214 S *	6/1992	Stuart	D8/373
D329,193 S *	9/1992	Togami et al.	D8/354
D347,568 S *	6/1994	Siragusa et al.	D8/382
D357,175 S *	4/1995	Godfrey	D8/382
6,299,400 B1	10/2001	Tebo		
6,416,269 B1	7/2002	Martel		
D481,281 S *	10/2003	Anderson	D8/71
D483,657 S *	12/2003	Kim	D8/382

2005/0063771 A1*	3/2005	Harris	403/294
2005/0252154 A1*	11/2005	Martel et al.	52/712
2007/0056243 A1*	3/2007	Riccitelli	52/698

OTHER PUBLICATIONS

U.S. Appl. No. 29/216,250, filed Oct. 15, 2004, William J. Prichard.

* cited by examiner

Primary Examiner—Holly H. Baynham

Assistant Examiner—Sheryl Friedman

(57) **CLAIM**

The ornamental design for a deck fastener without spacer, as shown and described.

DESCRIPTION

FIG. 1 is a top view of the deck fastener without spacer showing our new design;

FIG. 2 is a bottom view thereof;

FIG. 3 is a front view thereof;

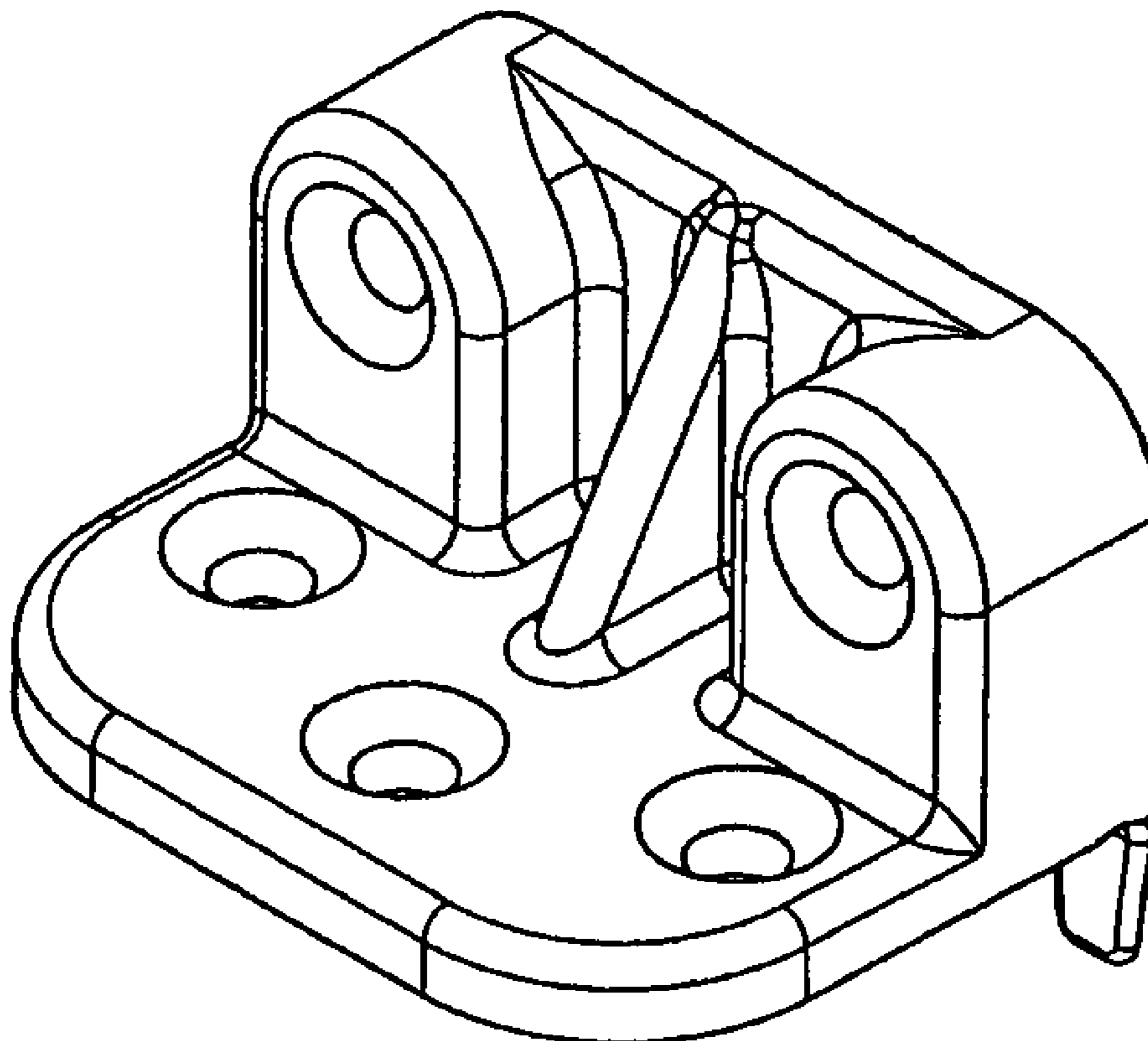
FIG. 4 is a side view thereof;

FIG. 5 is a section view thereof taken at 5—5 in FIG. 3;

FIG. 6 is a front perspective view thereof; and,

FIG. 7 is a bottom perspective view thereof.

1 Claim, 3 Drawing Sheets



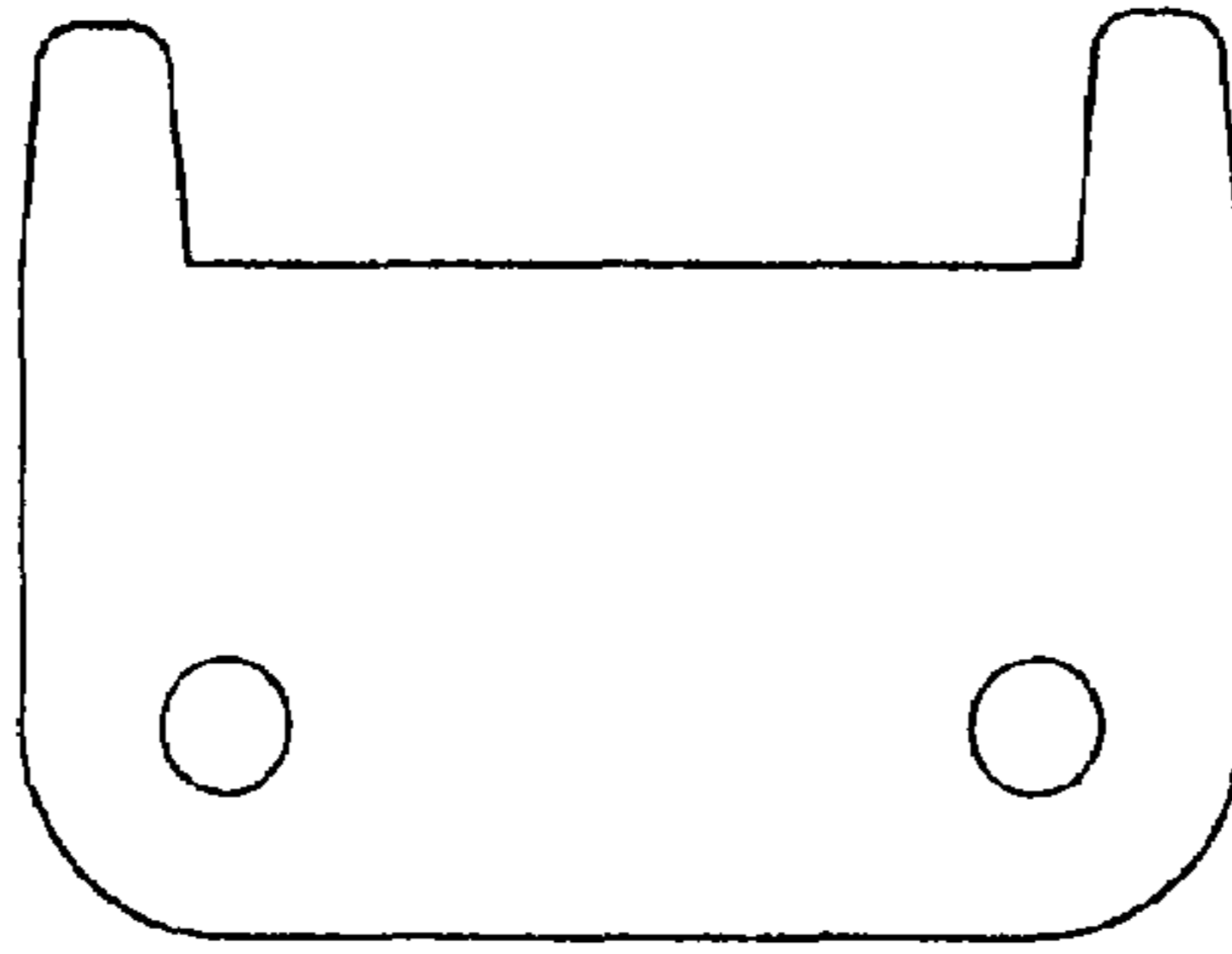


FIG 1

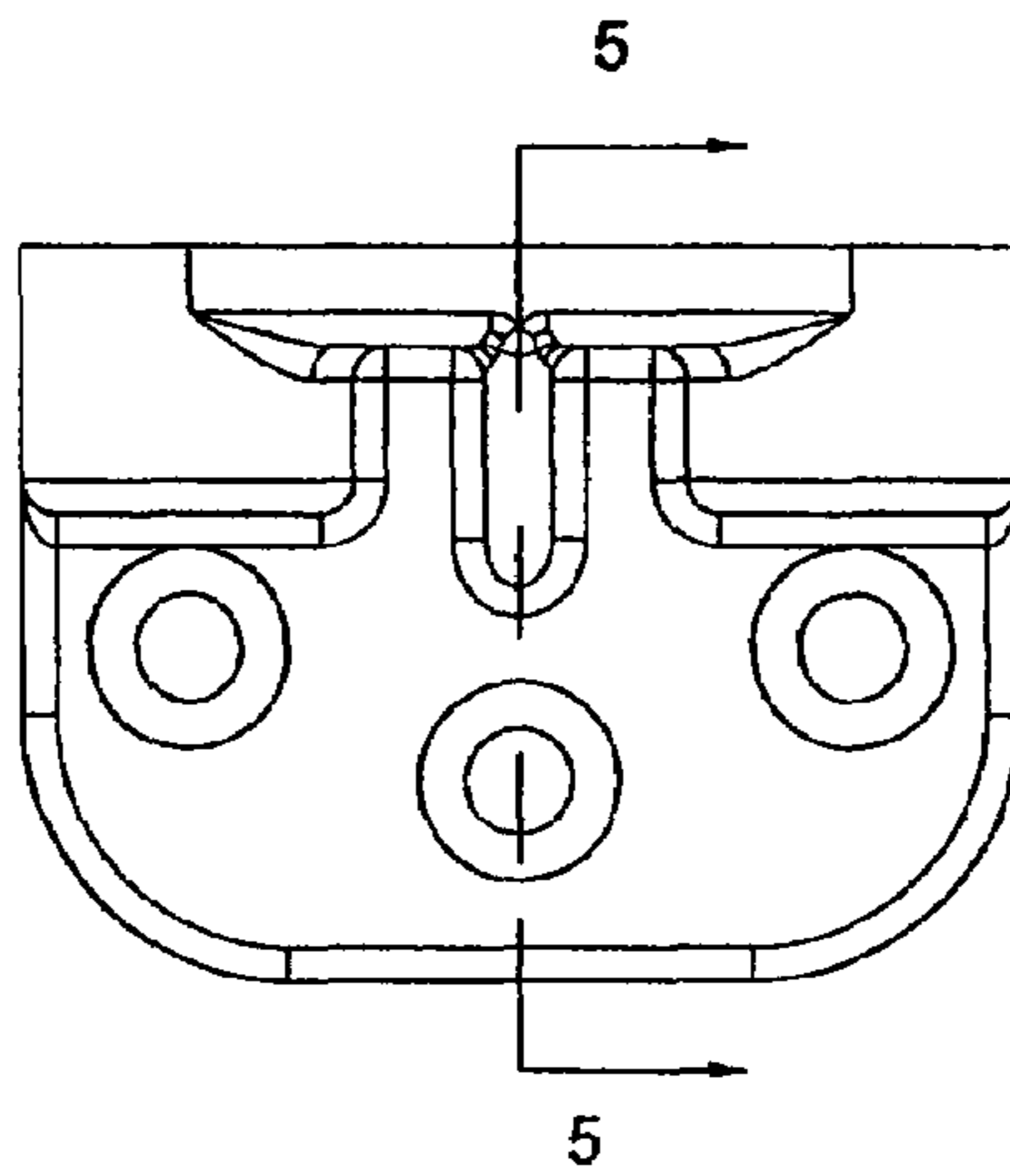


FIG 3

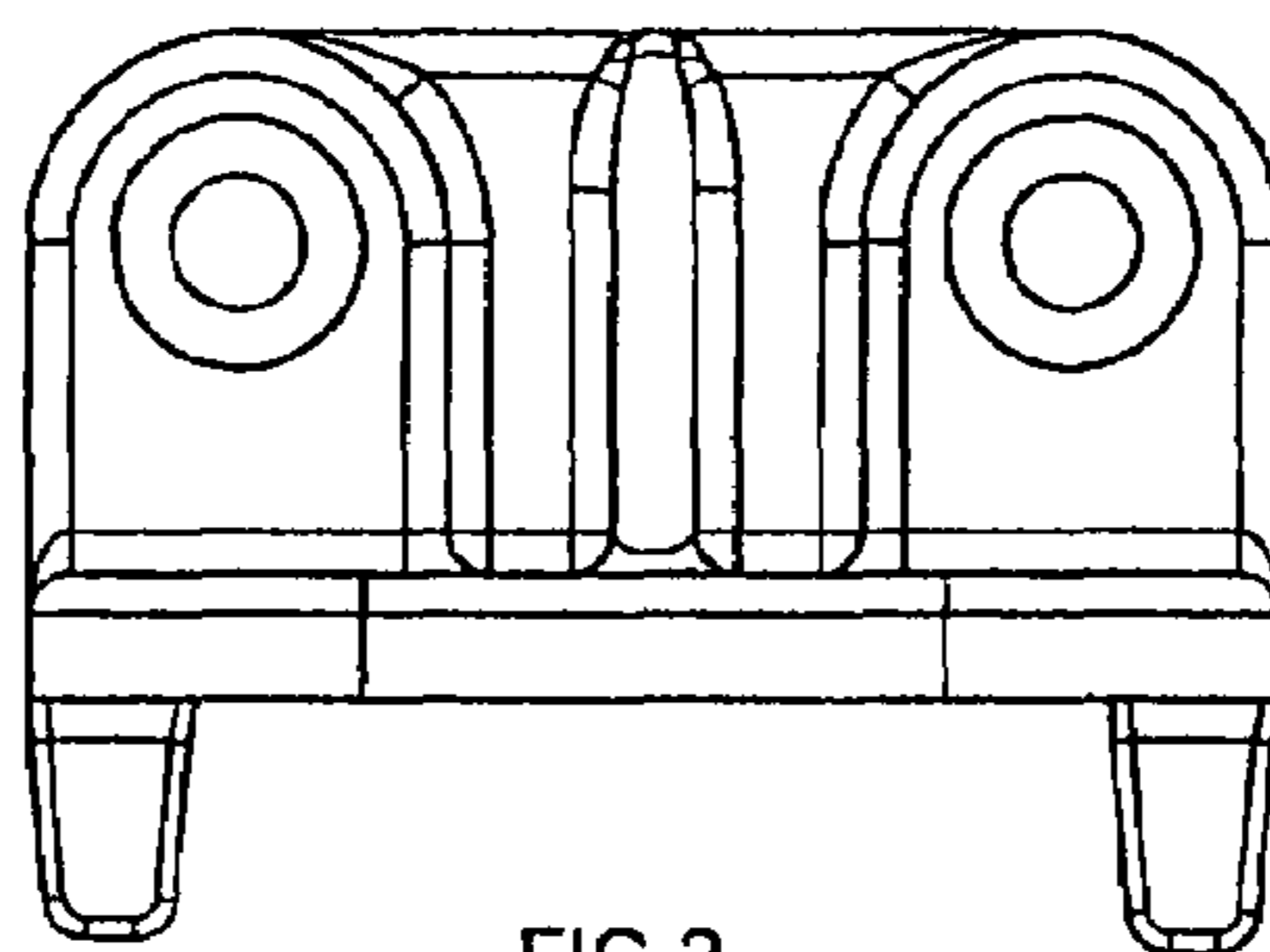


FIG 2

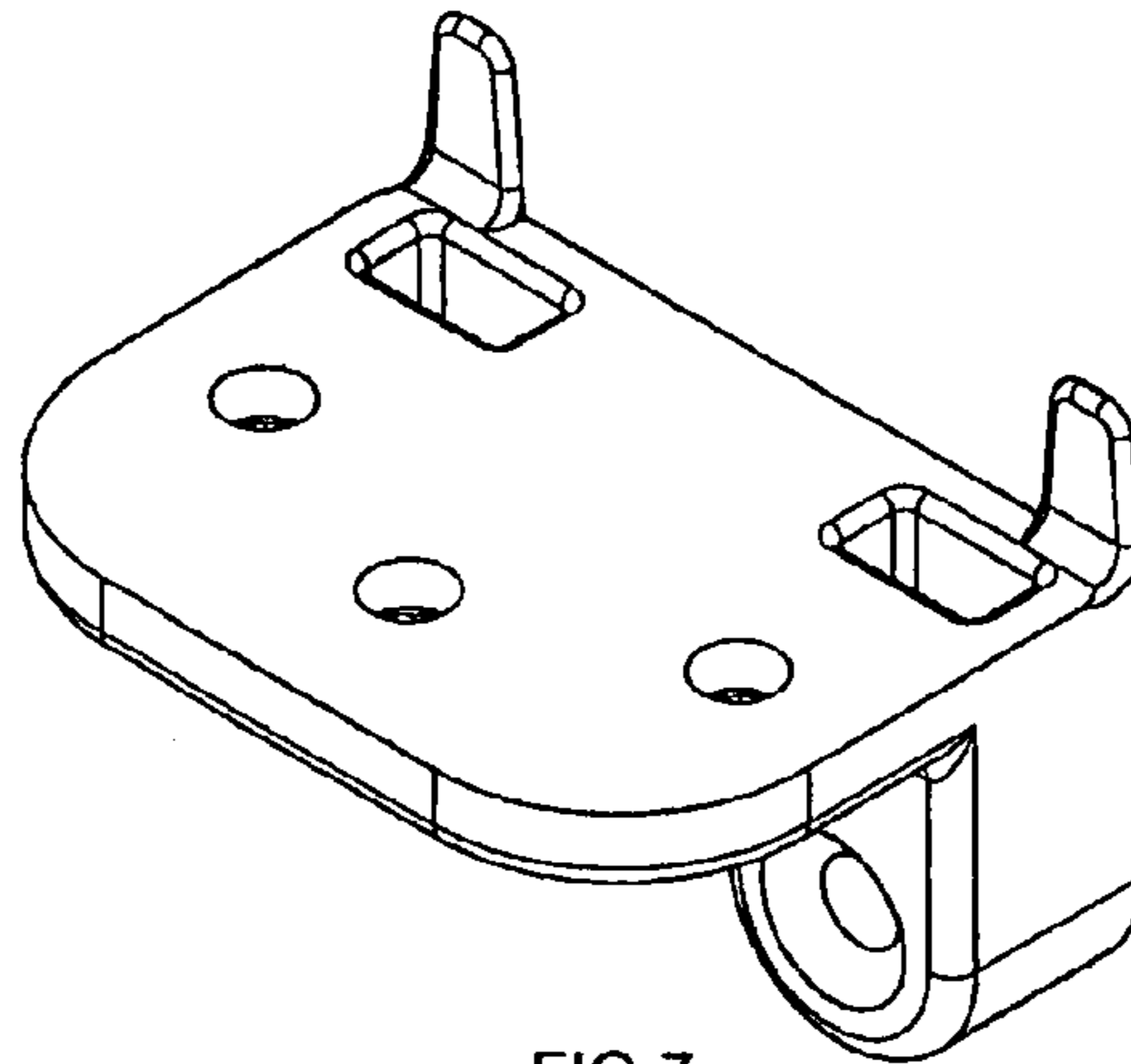


FIG 7

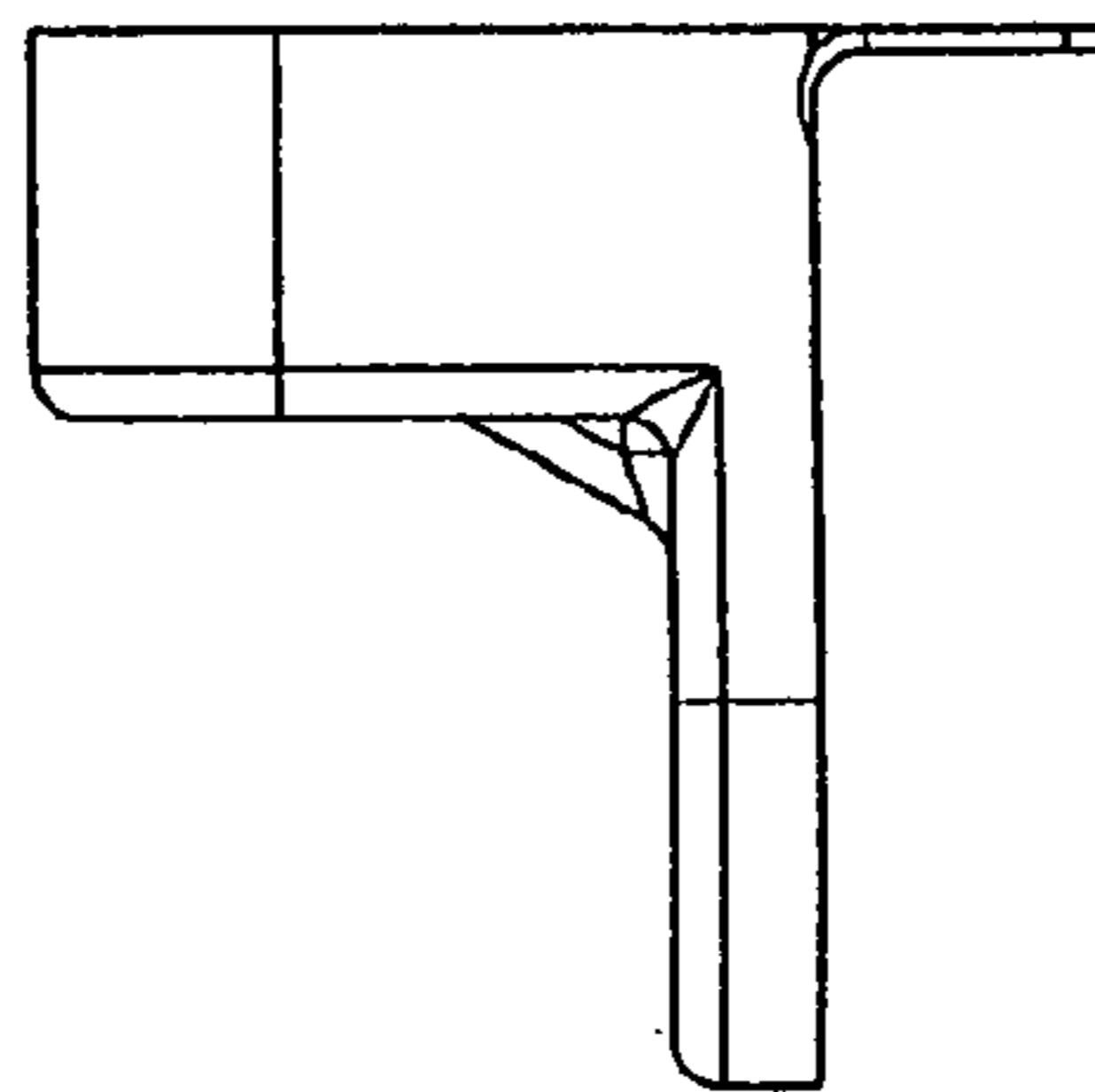


FIG 4

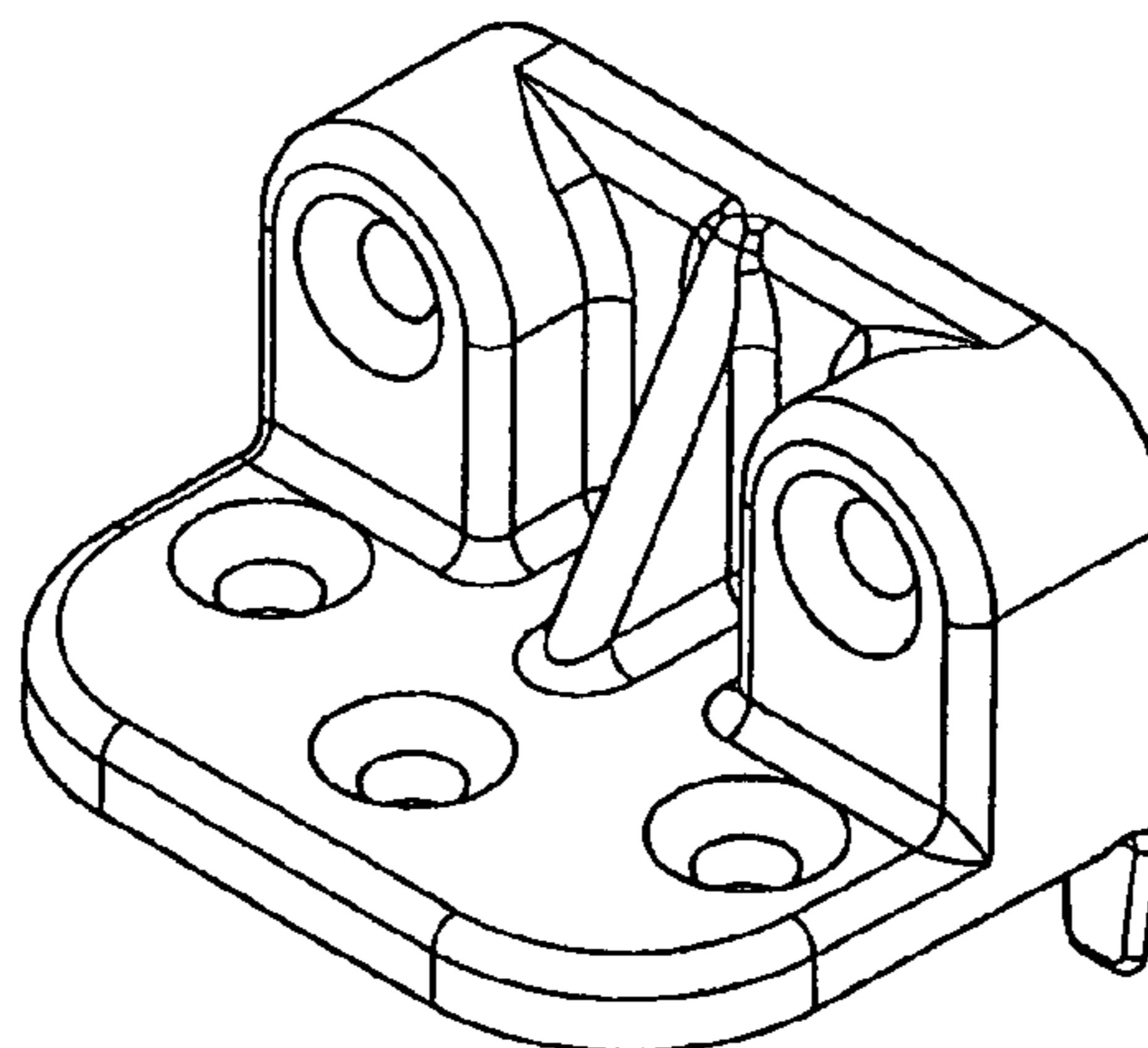


FIG 6

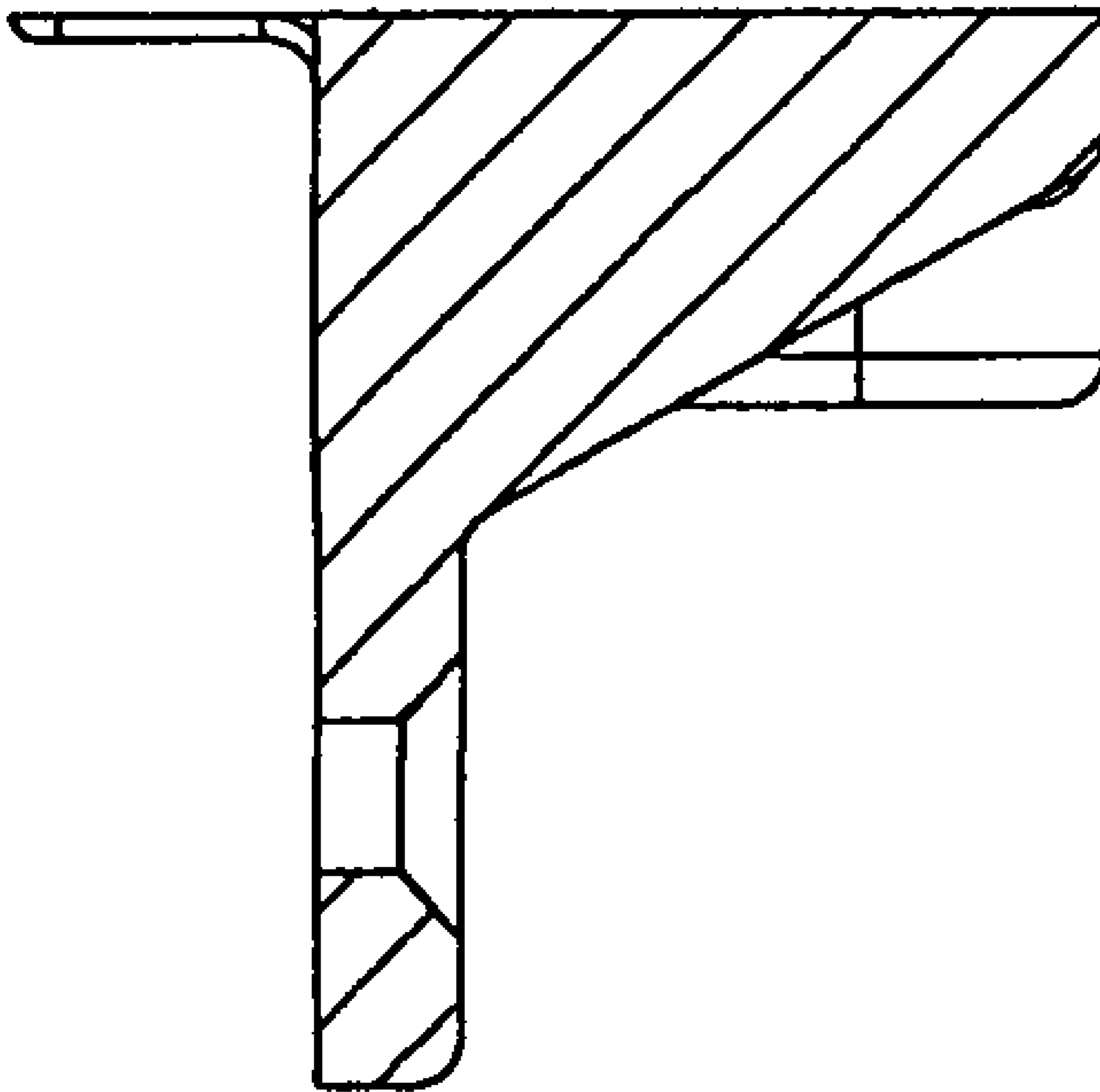


FIG 5