

US00D562118S

(12) **United States Design Patent**
Bell et al.

(10) **Patent No.:** **US D562,118 S**
(45) **Date of Patent:** **** Feb. 19, 2008**

(54) **HEAD RAIL FOR A TOILET PARTITION**

(76) Inventors: **Jeffrey Scott Bell**, 668 Highvalley Road, Ancaster, Ontario (CA) L9G 4E9; **Allan Patrick Smith**, 7 Josephine Drive, Hamilton, Ontario (CA) L9G 4E9; **Gary Phillip Greenway**, 15 Volterra Court, Waterdown, Ontario (CA) L0R 2H6

(**) Term: **14 Years**

(21) Appl. No.: **29/236,375**

(22) Filed: **Aug. 16, 2005**

Related U.S. Application Data

(62) Division of application No. 29/189,115, filed on Aug. 29, 2003, now Pat. No. Des. 546,971.

(51) **LOC (8) Cl.** **08-05**

(52) **U.S. Cl.** **D8/376**

(58) **Field of Classification Search** D8/376,
D8/373, 363; 4/449, 476; 248/327; 52/239,
52/243.1, 238.1, 34, 36.5

See application file for complete search history.

(56) **References Cited**

U.S. PATENT DOCUMENTS

2,240,482 A * 5/1941 Anderson 52/239
4,048,767 A * 9/1977 Ferich 52/35
4,881,353 A * 11/1989 Braendel et al. 52/239

5,592,787 A * 1/1997 Ophardt 52/34
5,920,927 A * 7/1999 Thomas 4/599
6,374,432 B1 * 4/2002 Morris 4/476
D483,251 S * 12/2003 Suero, Jr. D8/376

OTHER PUBLICATIONS

Hadrian Manufacturing Inc., "Quality Metal Toilet Compartments", promotional brochure, Aug. 1996, pp. 1-8.
Hadrian Manufacturing Inc., "Metal Toilet Partitions", promotional brochure, Oct. 2000, pp. 1-8.

* cited by examiner

Primary Examiner—Doris Clark

(57) **CLAIM**

The ornamental design for a head rail for a toilet partition, as shown and described.

DESCRIPTION

FIG. 1 is a top left perspective view of the head rail for a toilet partition shown installed to a toilet partition;

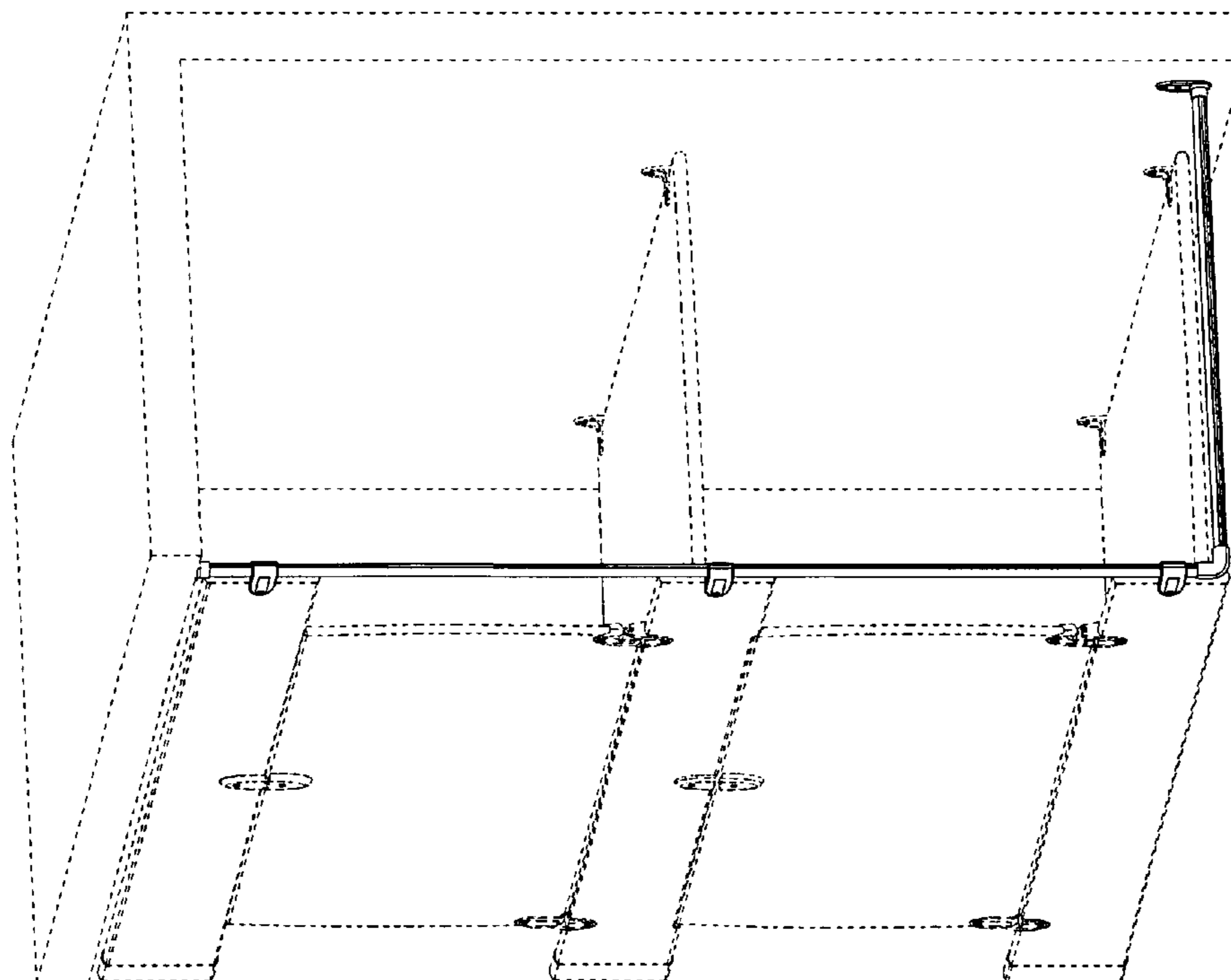
FIG. 2 is a front perspective view of the head rail for a toilet partition of FIG. 1;

FIG. 3 is a top plan view of the head rail for a toilet partition shown in FIG. 2; and,

FIG. 4 is a front elevation view of the head rail for a toilet partition shown in FIG. 2.

The features shown in dotted or broken lines do not form part of the claimed invention.

1 Claim, 4 Drawing Sheets



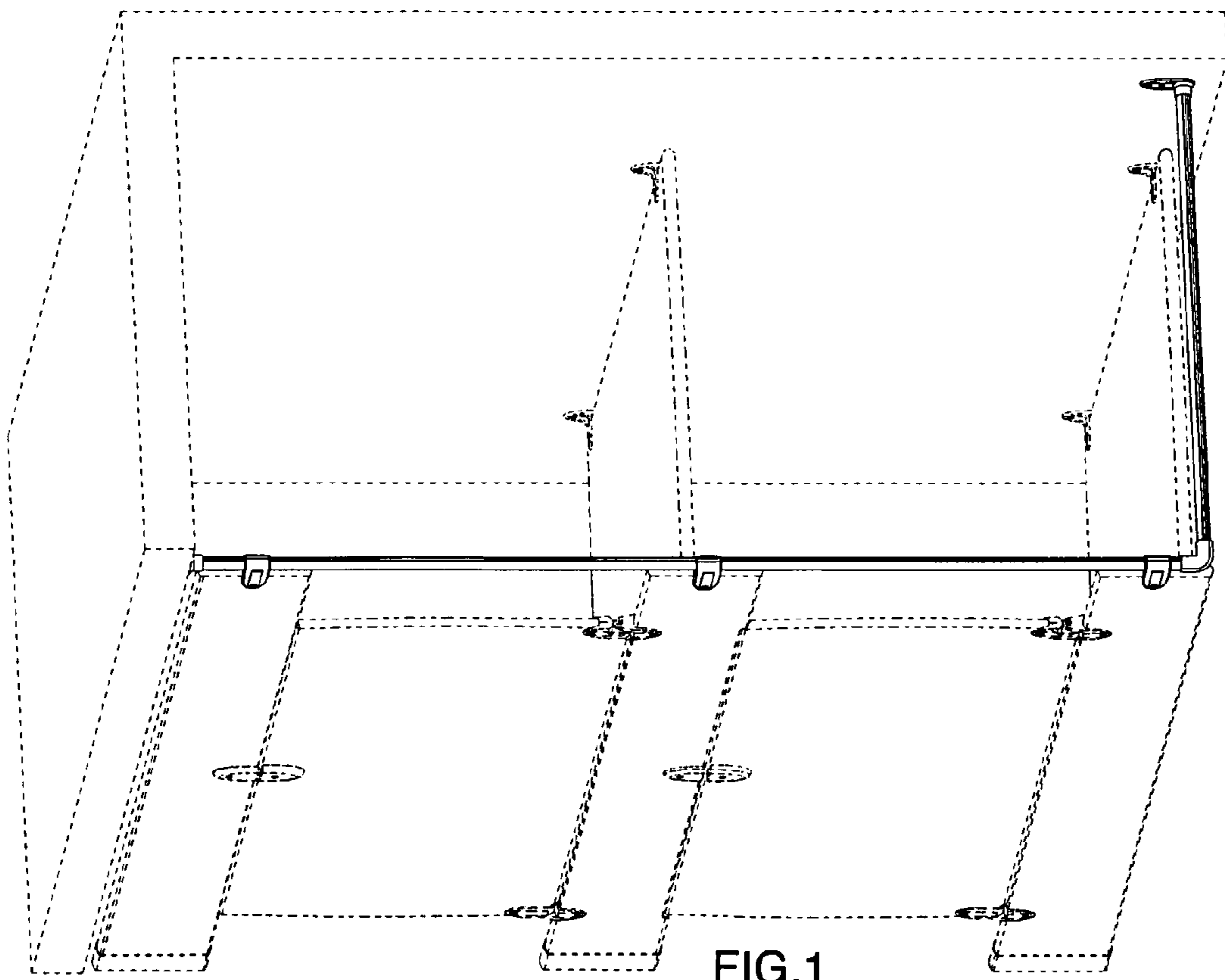


FIG.1

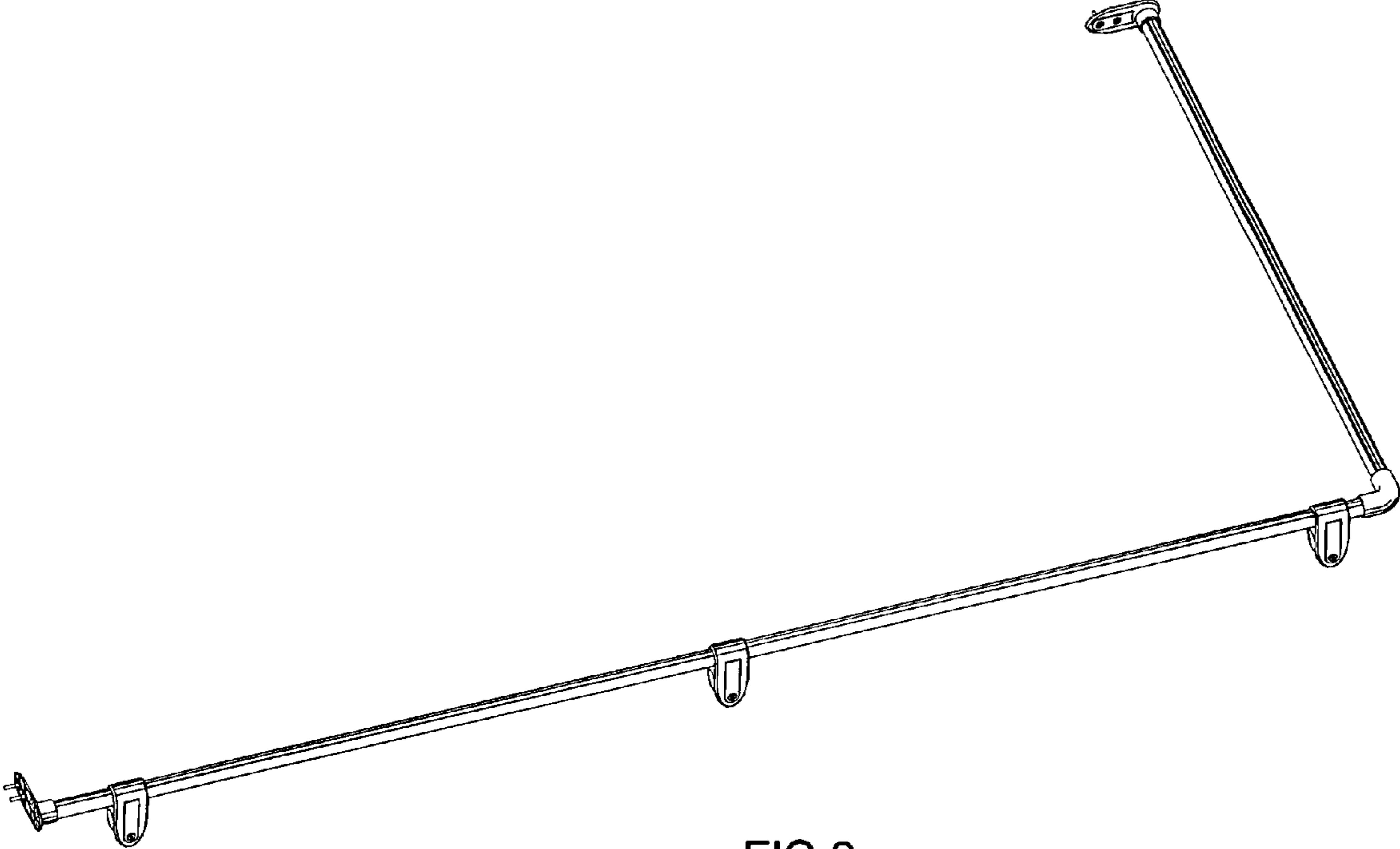


FIG.2

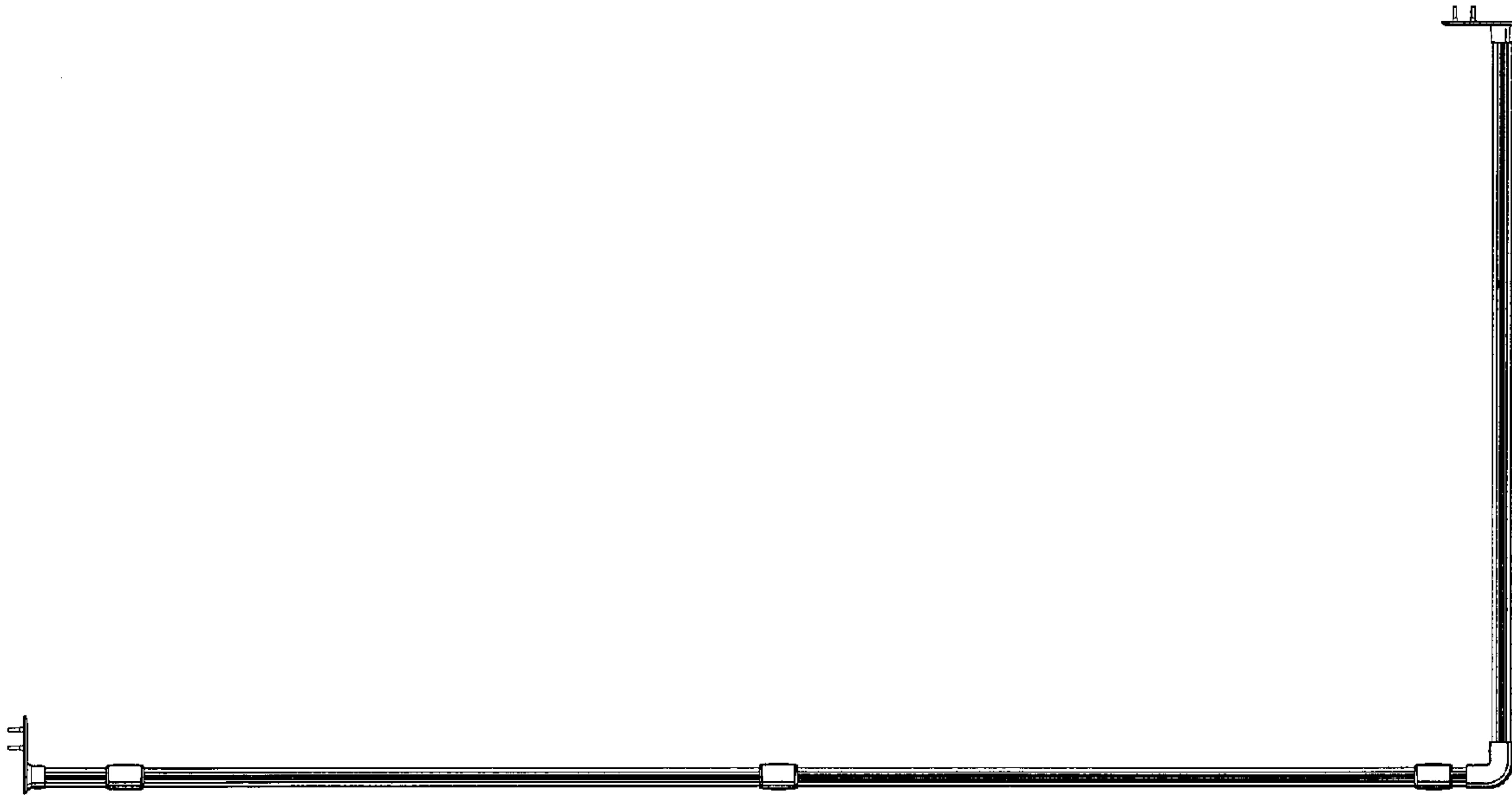


FIG.3

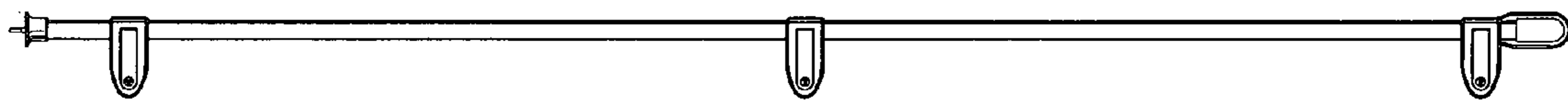


FIG.4