

US00D562116S

(12) **United States Design Patent**
Ziaylek et al.

(10) **Patent No.:** **US D562,116 S**
(45) **Date of Patent:** **** Feb. 19, 2008**

(54) **BRACKET FOR RELEASABLY RETAINING AN INVERTED TANK**

D347,735 S * 6/1994 Ziaylek et al. D3/316
D394,381 S * 5/1998 Ziaylek et al. D8/354
D424,414 S * 5/2000 Ziaylek et al. D8/373
6,702,242 B1 * 3/2004 Ziaylek et al. 248/311.2

(76) Inventors: **Michael P. Ziaylek**, 15 Cold Spring Ave., Yardley, PA (US) 19067;
Theodore P. Ziaylek, 152 Riverview Ave., Yardley, PA (US) 19067

* cited by examiner

Primary Examiner—Holly H. Baynham
(74) *Attorney, Agent, or Firm*—Sperry, Zoda & Kane

(**) Term: **14 Years**

(21) Appl. No.: **29/285,667**

(57) **CLAIM**

(22) Filed: **Apr. 5, 2007**

The ornamental design for a bracket for releasably retaining an inverted tank, as shown.

(51) **LOC (8) Cl.** **08-05**

(52) **U.S. Cl.** **D8/373**

(58) **Field of Classification Search** D8/354,
D8/373; 248/309.1, 300, 313
See application file for complete search history.

DESCRIPTION

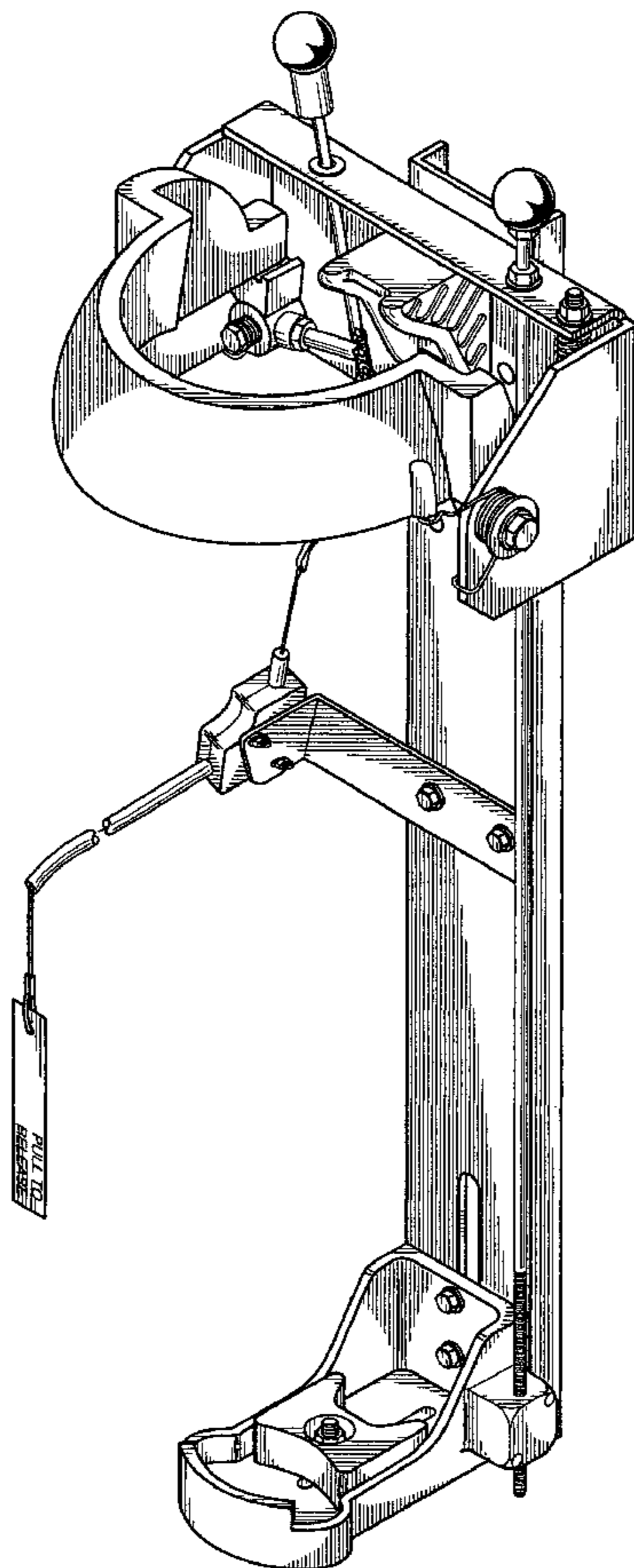
FIG. 1 is a three-quarter front perspective view embodying our new design;
FIG. 2 is a front plan view;
FIG. 3 is a side plan view taken from the right of FIG. 2;
FIG. 4 is a rear plan view;
FIG. 5 is a side plan view taken from the left of FIG. 2;
FIG. 6 is a top plan view; and,
FIG. 7 is a bottom plan view.

(56) **References Cited**

U.S. PATENT DOCUMENTS

D44,015 S * 5/1913 McGregor D8/373
3,565,384 A * 2/1971 Lockwood 248/312
D222,527 S * 11/1971 Ziaylek D8/373
D237,357 S * 10/1975 Ziaylek D8/373
D244,392 S * 5/1977 Montambo D29/126
4,213,592 A * 7/1980 Lingenfelter 248/313

1 Claim, 4 Drawing Sheets



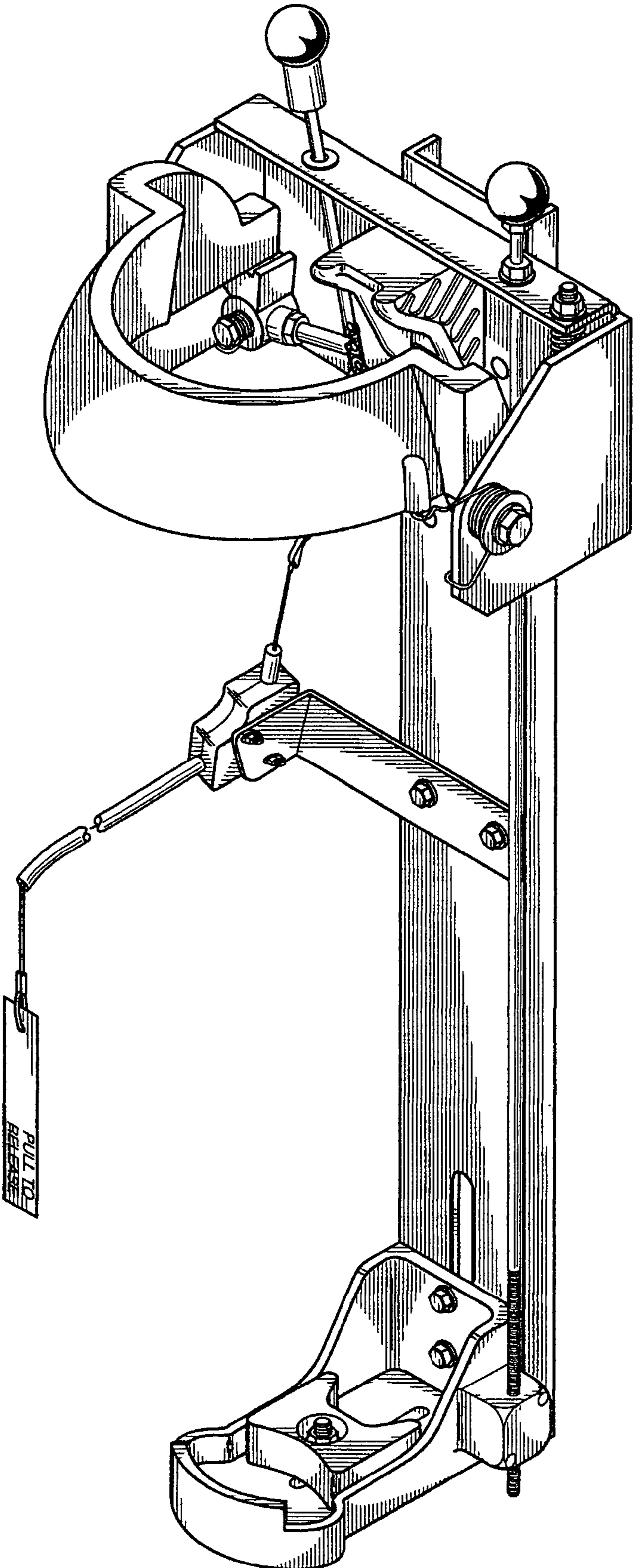


FIG. 1

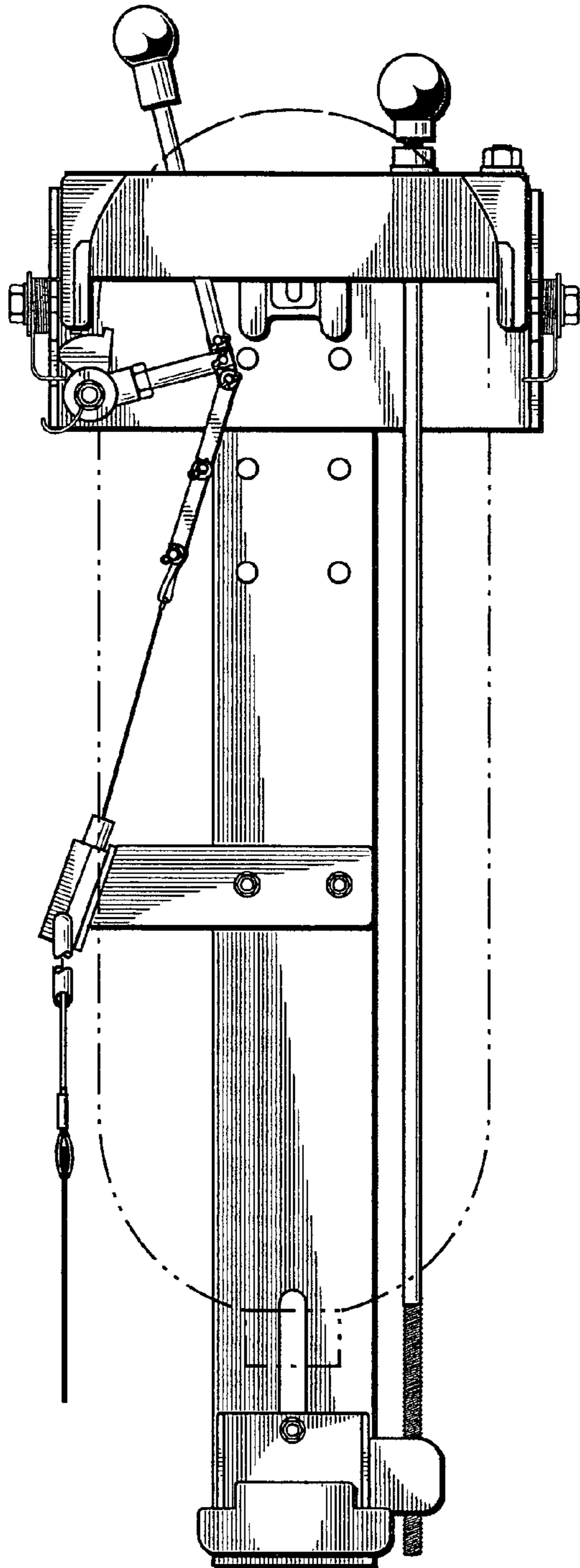


FIG. 2

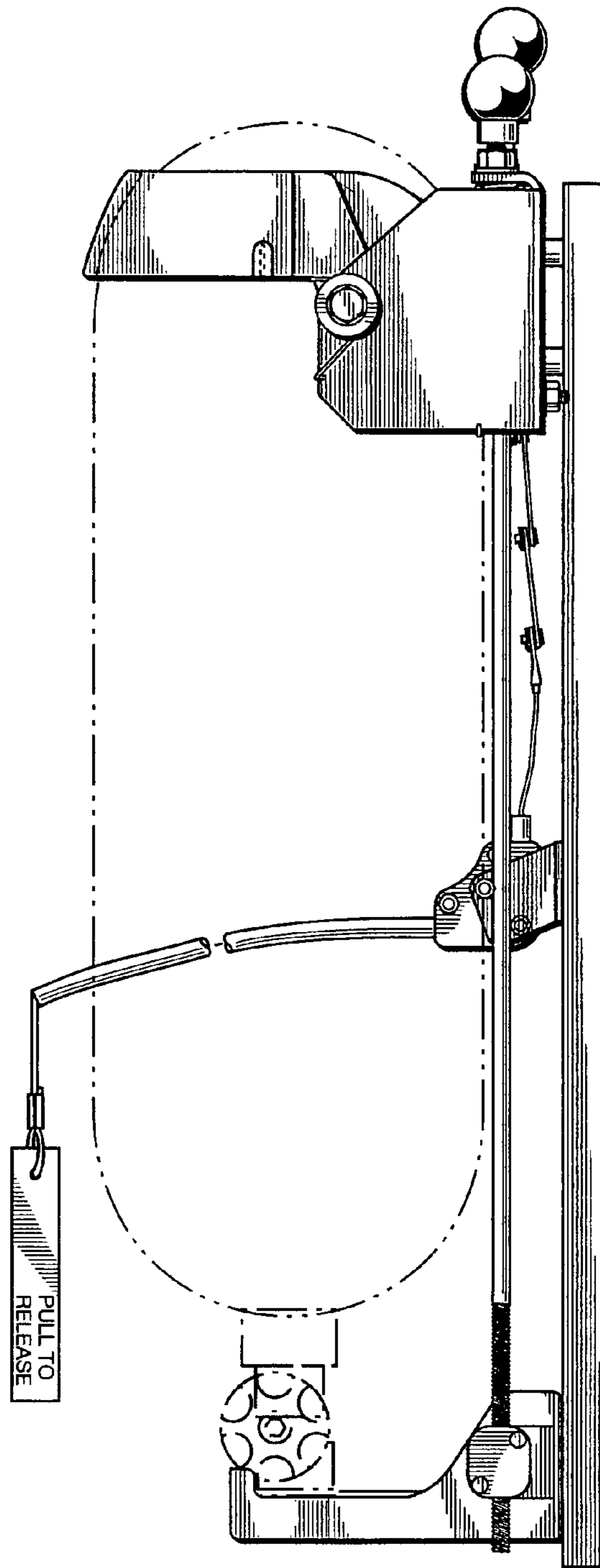


FIG. 3

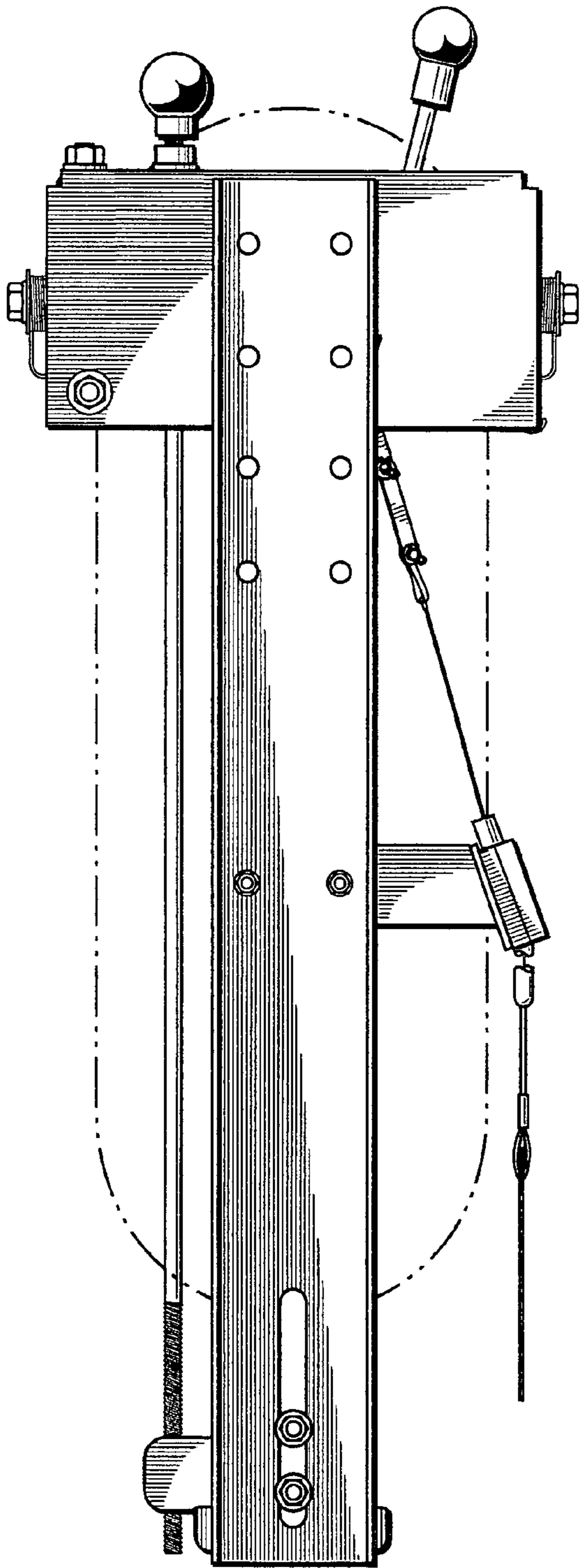


FIG. 4

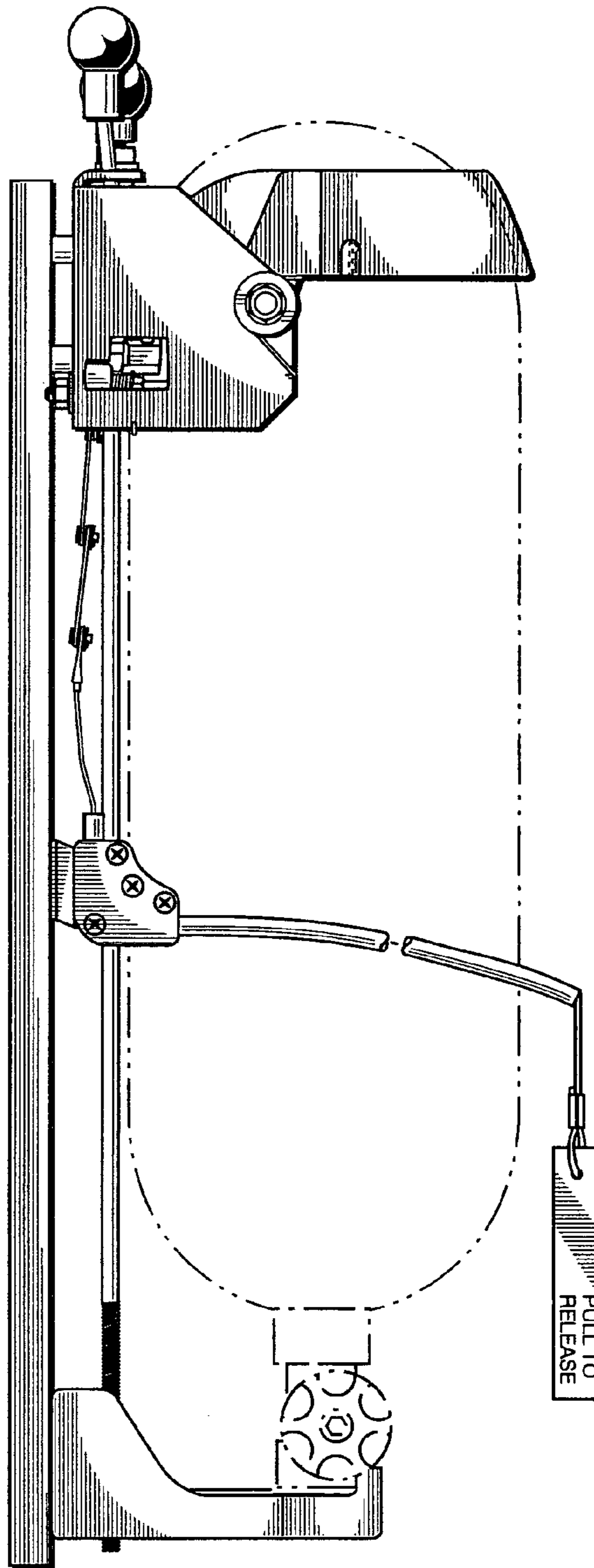


FIG. 5

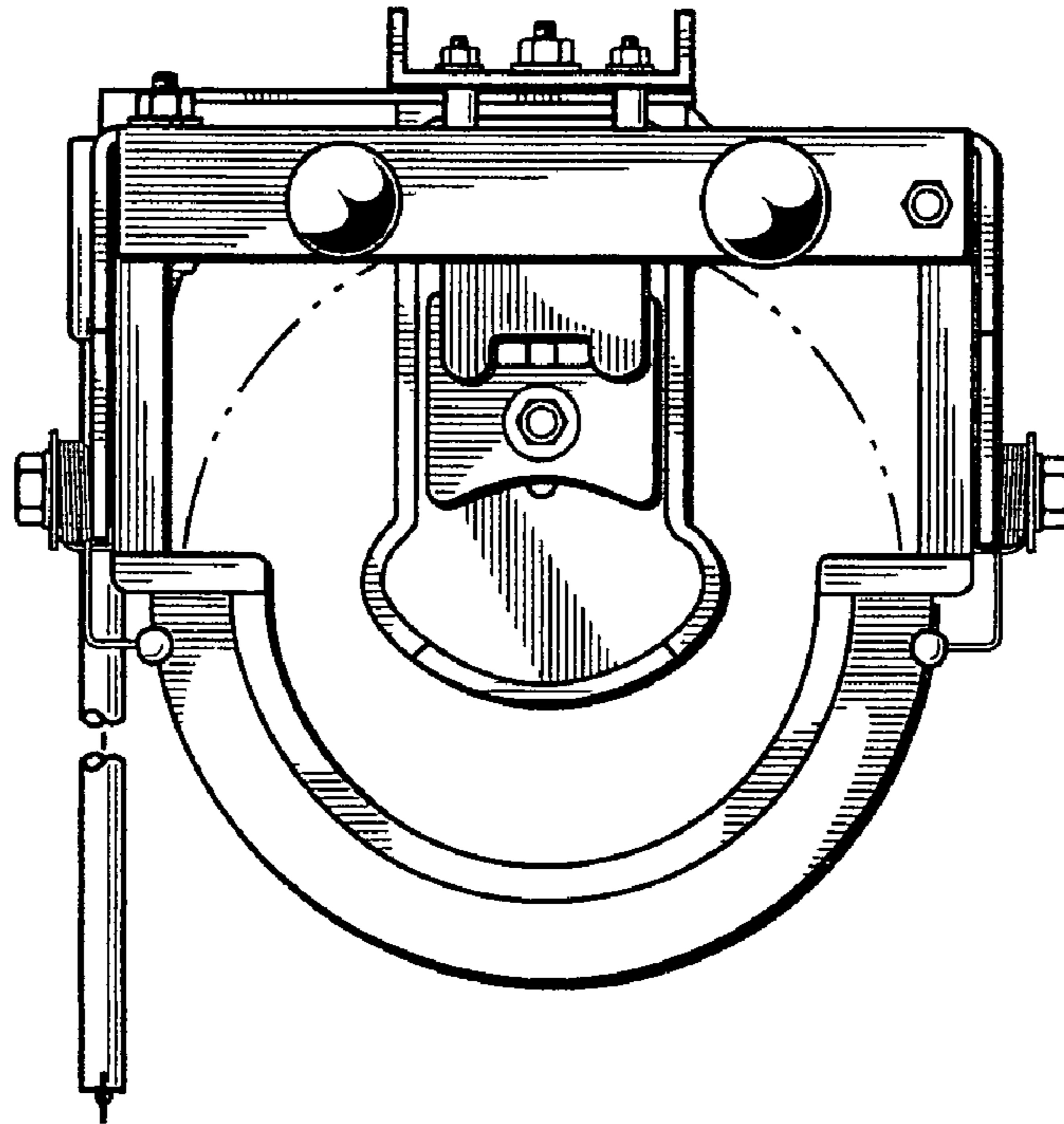


FIG. 6

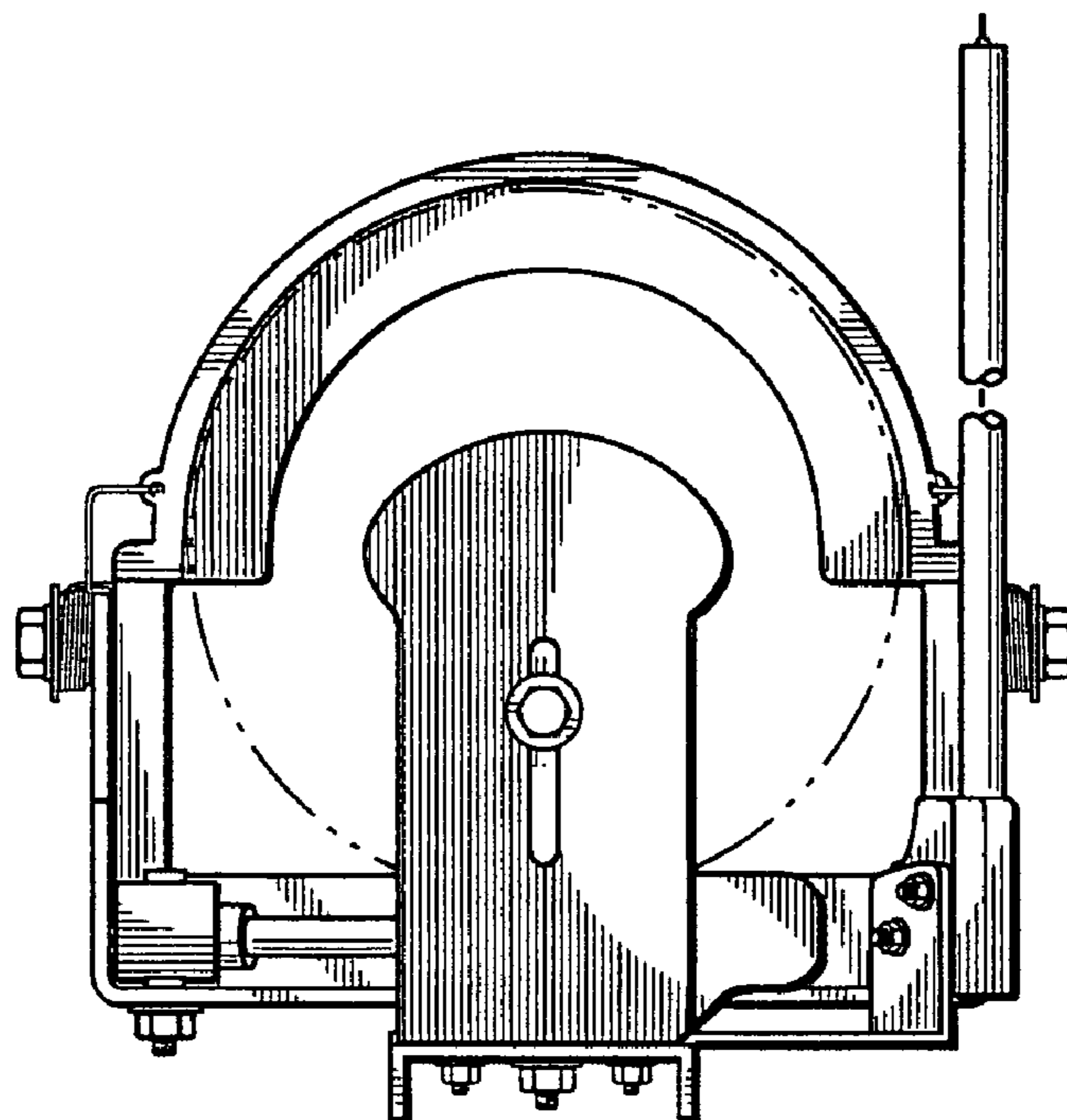


FIG. 7

UNITED STATES PATENT AND TRADEMARK OFFICE
CERTIFICATE OF CORRECTION

PATENT NO. : Des. 562,116 S
APPLICATION NO. : 29/285667
DATED : February 19, 2008
INVENTOR(S) : Michael P. Ziaylek and Theodore P. Ziaylek

Page 1 of 1

It is certified that error appears in the above-identified patent and that said Letters Patent is hereby corrected as shown below:

On the title page item [75] the second inventor is incorrect, change "Ziaiylek" to -- Ziaylek --.

Signed and Sealed this

Twenty-fourth Day of June, 2008

A handwritten signature in black ink that reads "Jon W. Dudas". The signature is written in a cursive style with a large, looped initial "J".

JON W. DUDAS
Director of the United States Patent and Trademark Office