



US00D562115S

(12) **United States Design Patent** (10) **Patent No.:** **US D562,115 S**
Michaud et al. (45) **Date of Patent:** **** Feb. 19, 2008**

(54) **REWORK BRACKET FOR ELECTRICAL
OUTLET BOXES**
(75) Inventors: **Alain Michaud**, St. Jean-sur-Richelieu
(CA); **Michael DiLillo**, LaPrairie (CA)
(73) Assignee: **Thomas & Betts International, Inc.**,
Wilmington, DE (US)
(**) Term: **14 Years**
(21) Appl. No.: **29/245,972**
(22) Filed: **Dec. 30, 2005**
(51) **LOC (8) Cl.** **08-05**
(52) **U.S. Cl.** **D8/366; D8/364**
(58) **Field of Classification Search** D8/366,
D8/364, 354, 349; D13/154, 152, 133; 439/560,
439/538; 33/DIG. 10; 248/300, 27.1; 220/3.6;
319/58
See application file for complete search history.

(56) **References Cited**
U.S. PATENT DOCUMENTS

1,816,584 A	7/1931	Hussar	
1,820,309 A	8/1931	Judd et al.	
1,957,844 A	5/1934	Olsen et al.	
2,272,846 A	2/1942	Lindstrom	
2,299,696 A	10/1942	Gregersen	
2,454,119 A	11/1948	Atkinson	
2,456,450 A	12/1948	Sauter	
2,518,912 A	8/1950	Lampe	
2,788,187 A	4/1957	Cookson et al.	
2,842,281 A *	7/1958	Chisholm	220/3.6
3,337,168 A	8/1967	Albrecht	
4,108,414 A	8/1978	Grant, Sr.	
4,183,486 A	1/1980	Esoldi	
D265,050 S *	6/1982	Riedl	D8/354
4,332,330 A	6/1982	Lockwood	

4,576,431 A	3/1986	Thayer	
4,732,356 A	3/1988	Medlin, Sr.	
4,863,399 A	9/1989	Medlin, Jr.	
D313,392 S *	1/1991	Sachs	D13/133
5,158,478 A	10/1992	Schuplin	
5,170,977 A *	12/1992	McMillan	248/300
5,211,580 A	5/1993	Schuplin	
5,301,437 A *	4/1994	Burke	33/DIG. 10
D363,875 S *	11/1995	Korb	D8/366
5,590,858 A	1/1997	Bourassa et al.	
5,603,424 A	2/1997	Bordwell et al.	
5,646,371 A	7/1997	Fabian	
5,828,002 A	10/1998	Fedun	
D418,738 S *	1/2000	Luttrell-Welti	D8/349
D431,770 S *	10/2000	Willet	D8/354
6,766,992 B1 *	7/2004	Parker	248/300

* cited by examiner

Primary Examiner—Gary D. Watson
Assistant Examiner—Susan Bennett Hattan
(74) *Attorney, Agent, or Firm*—Hoffmann & Baron, LLP

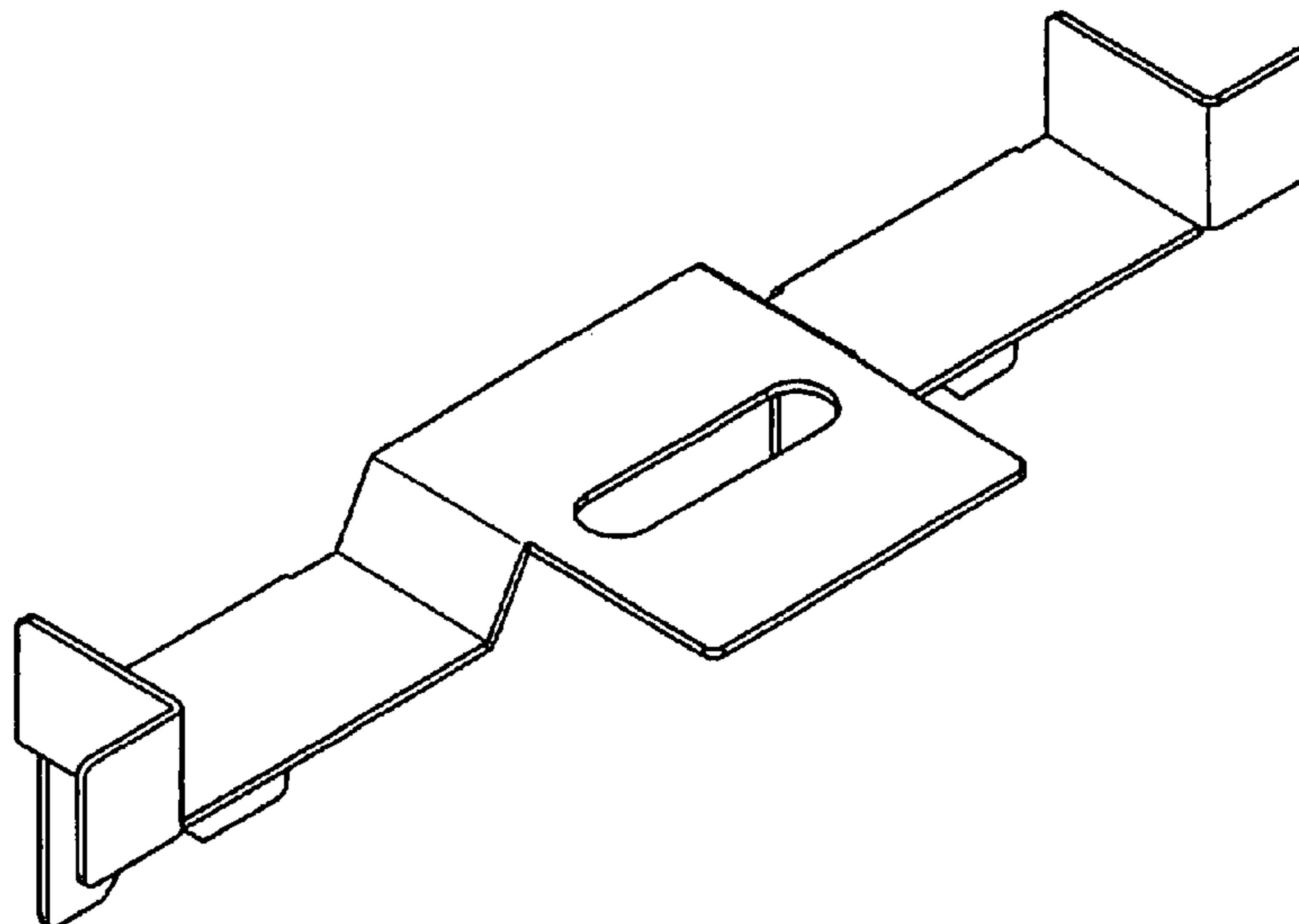
(57) **CLAIM**

The ornamental design for a rework bracket for electrical outlet boxes, as shown and described.

DESCRIPTION

FIG. 1 is a top perspective view of a rework bracket for electrical outlet boxes showing our new design;
FIG. 2 is a side perspective view thereof;
FIG. 3 is a bottom perspective view thereof;
FIG. 4 is a first side view thereof;
FIG. 5 is a bottom view thereof;
FIG. 6 is a second side view thereof; and,
FIG. 7 is an end view thereof, drawn at a larger scale.

1 Claim, 6 Drawing Sheets



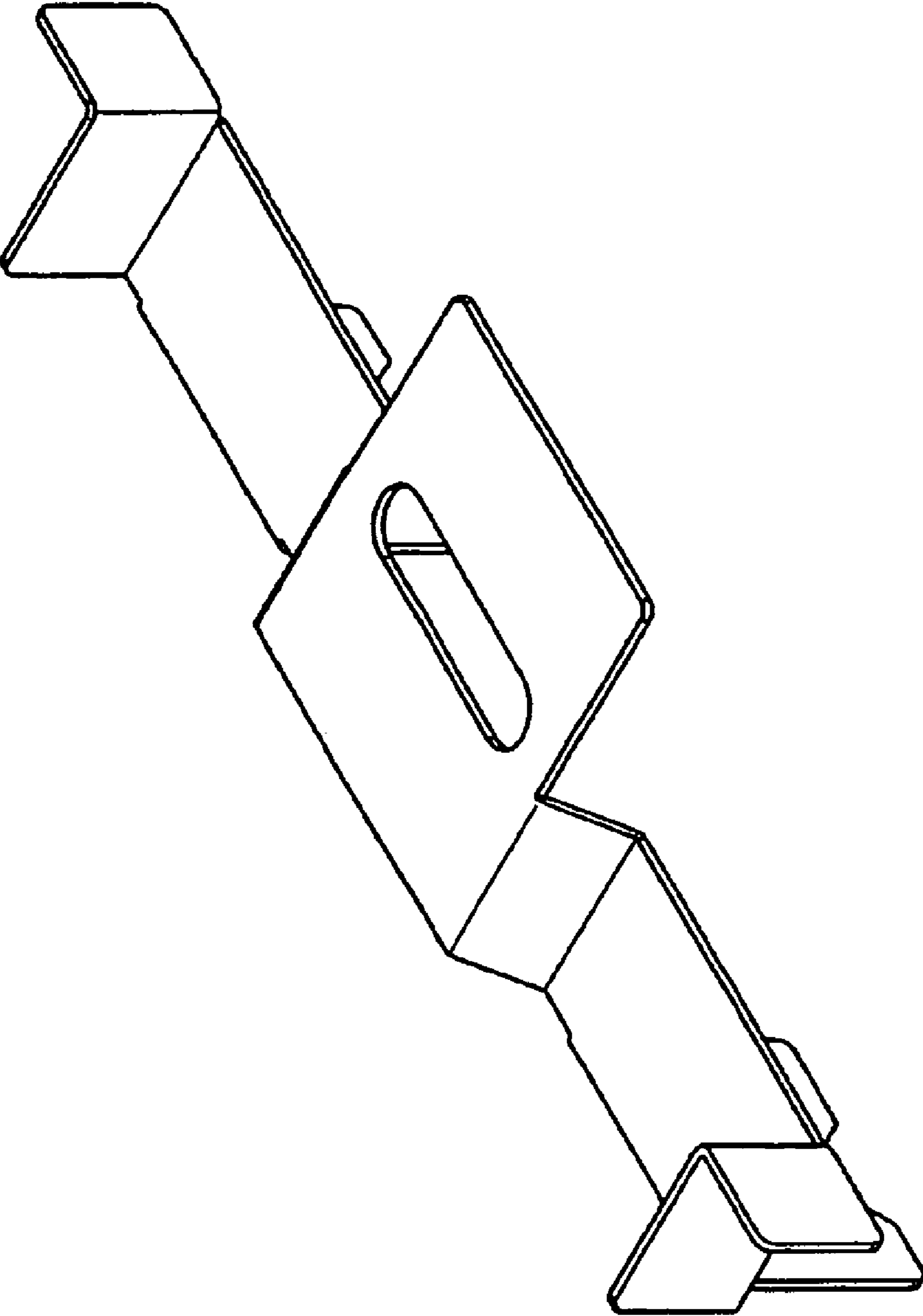


FIG. 1

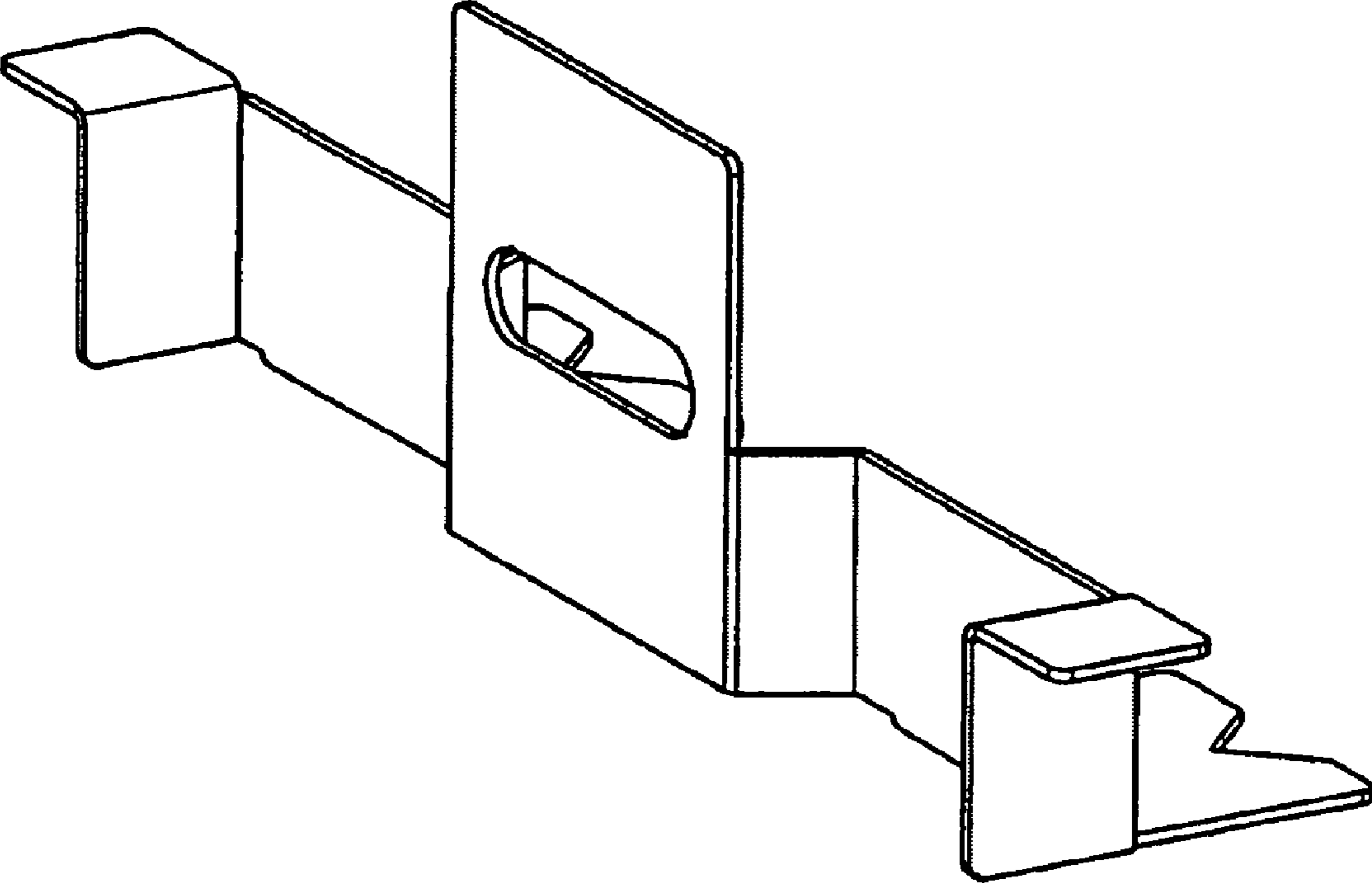


FIG. 2

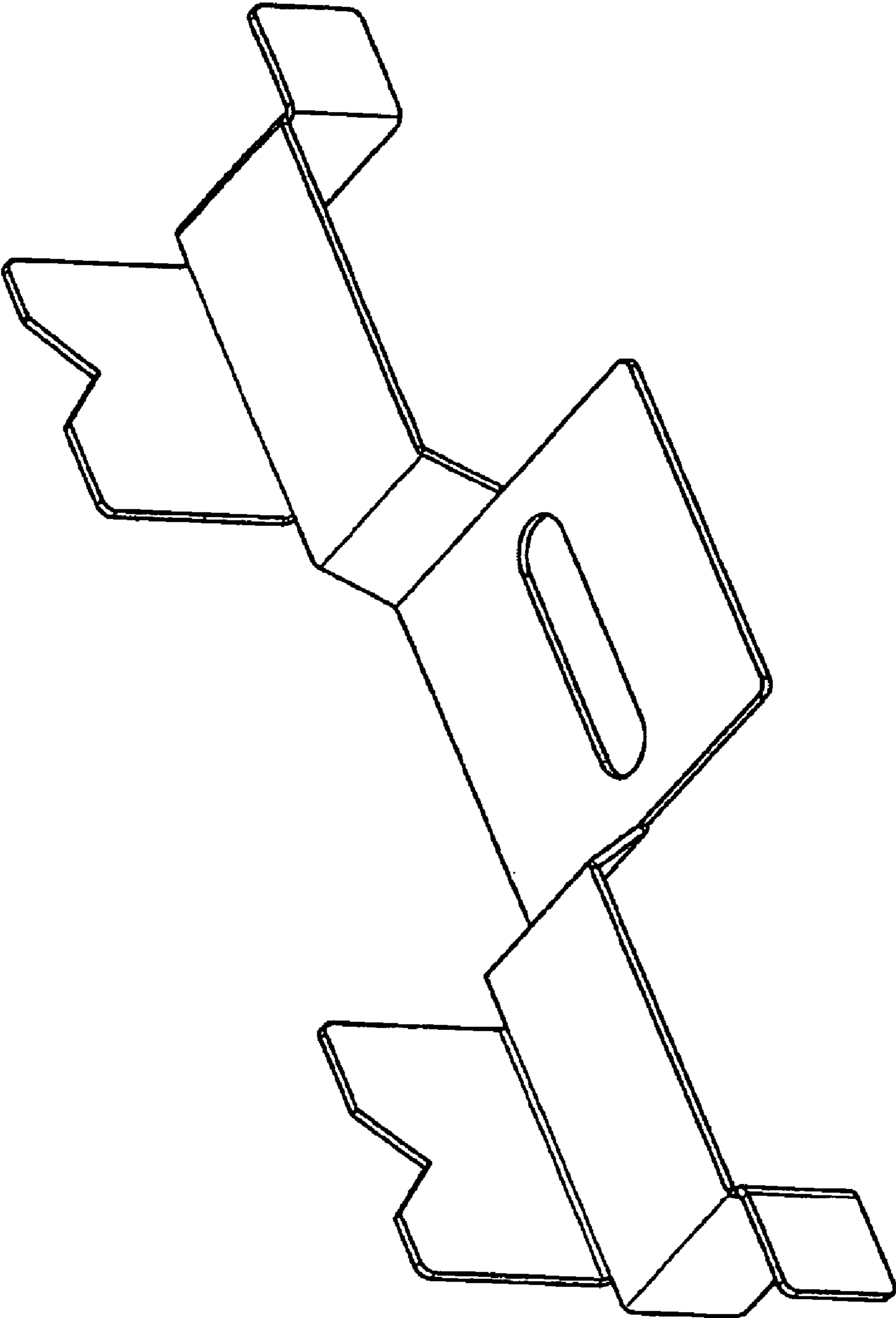


FIG. 3

FIG. 4

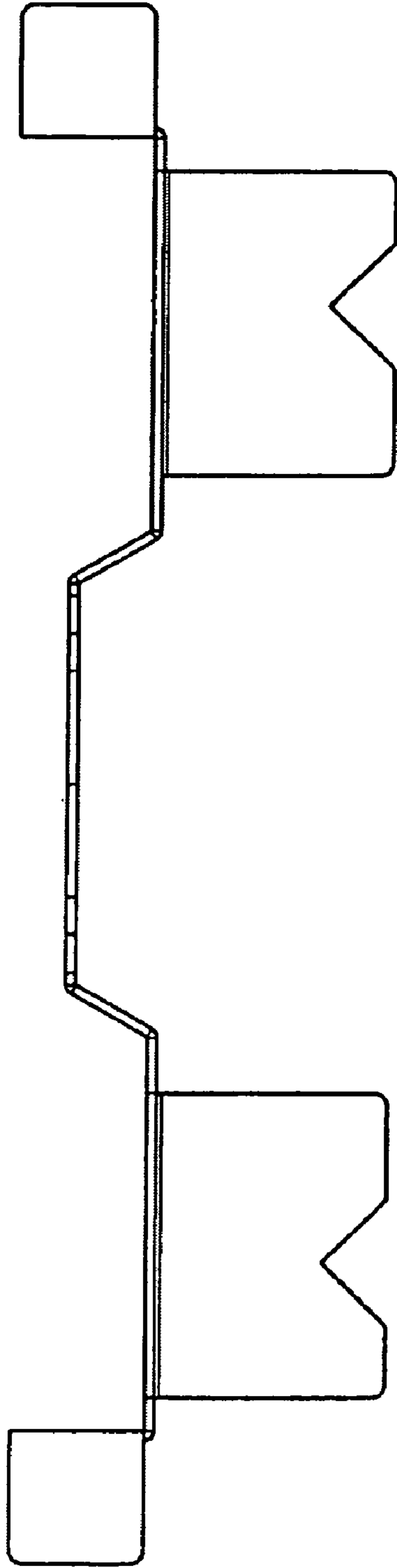


FIG. 5

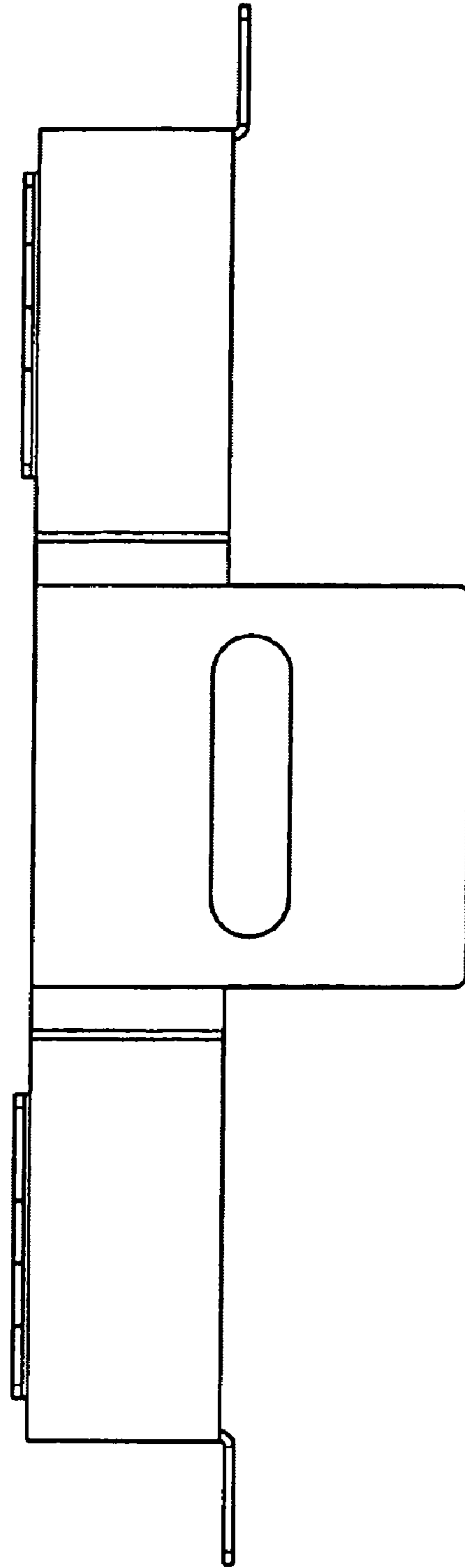
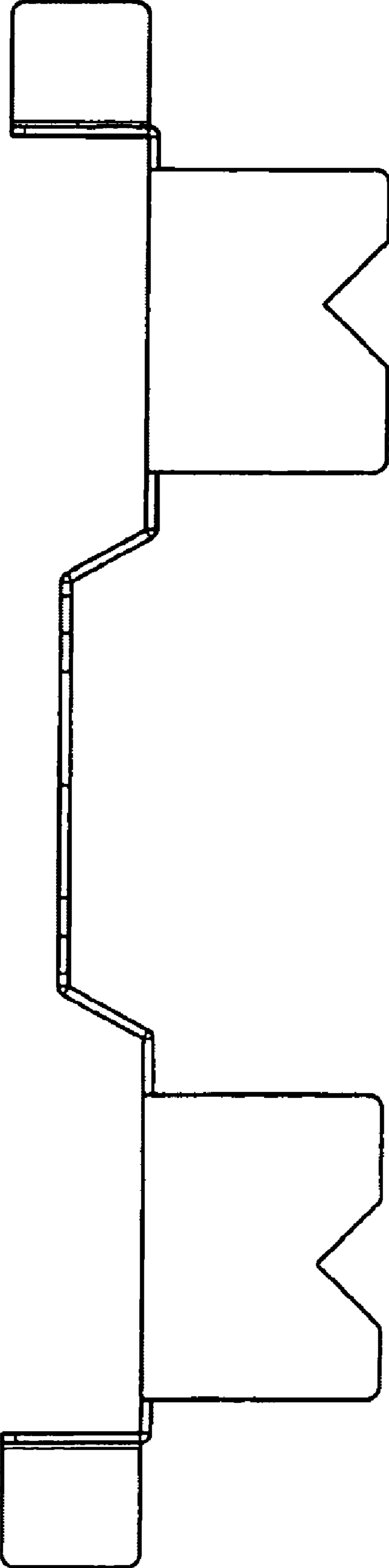


FIG. 6



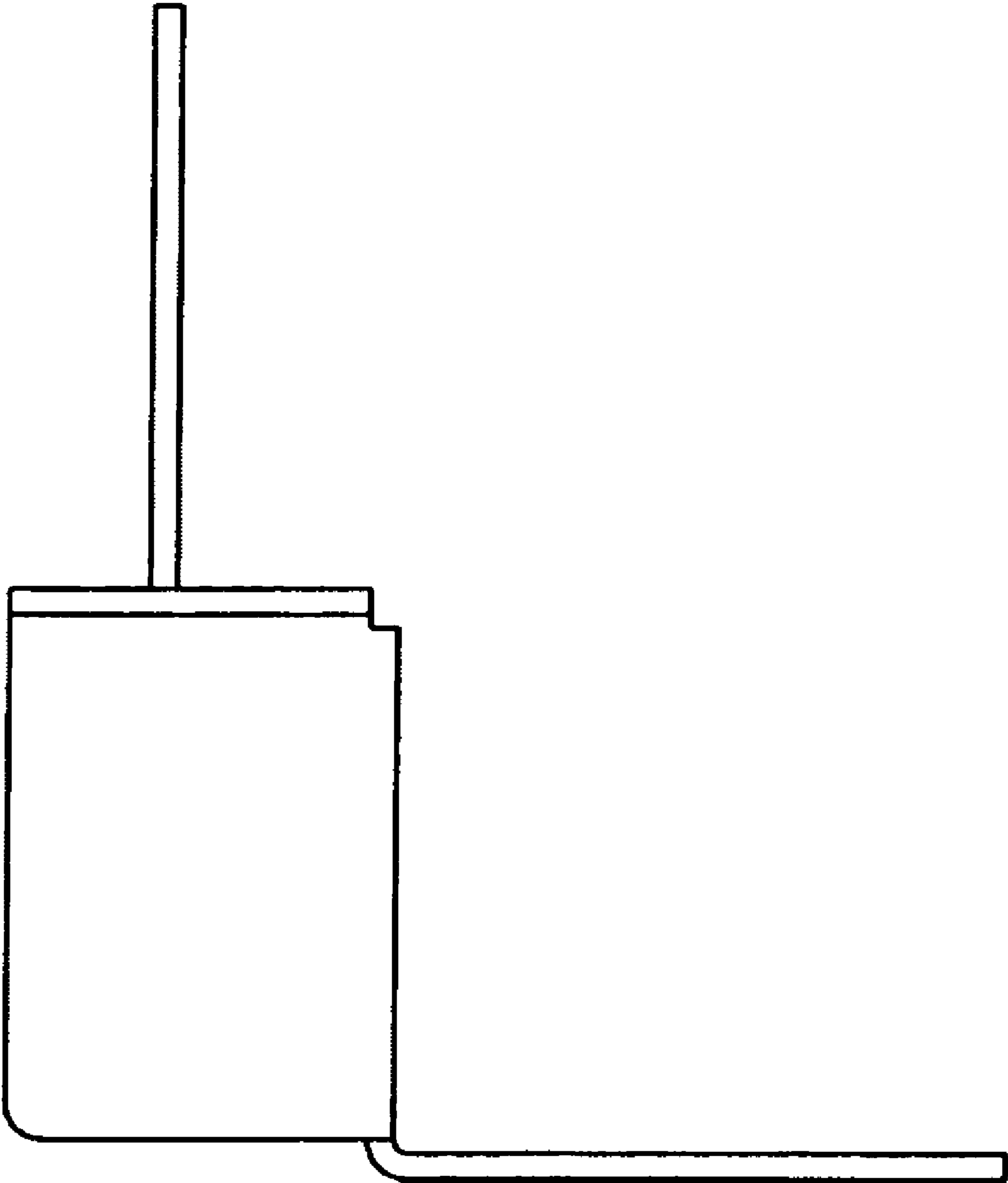


FIG. 7