



US00D562112S

(12) **United States Design Patent**  
**Harrell**

(10) **Patent No.:** **US D562,112 S**

(45) **Date of Patent:** **\*\* Feb. 19, 2008**

(54) **SLIDER BRACKET**

(76) Inventor: **Paul Darwin Harrell**, 5 Southside Ct.,  
Aliso Viejo, CA (US) 92656

(\*\*) Term: **14 Years**

(21) Appl. No.: **29/265,606**

(22) Filed: **Sep. 5, 2006**

(51) **LOC (8) Cl.** ..... **08-05**

(52) **U.S. Cl.** ..... **D8/354**

(58) **Field of Classification Search** ..... D8/354,  
D8/349; D12/223; 248/300, 200  
See application file for complete search history.

(56) **References Cited**

U.S. PATENT DOCUMENTS

D265,884 S *	8/1982	Mabry	.....	D8/354
5,837,949 A *	11/1998	Green et al.	.....	200/50.21
D431,999 S *	10/2000	Haltof	.....	D8/354
D442,539 S *	5/2001	Nickel	.....	D12/223
D442,908 S *	5/2001	Nickel	.....	D12/223
D465,402 S *	11/2002	Ausilio	.....	D8/354
D465,403 S *	11/2002	Ausilio	.....	D8/354
D492,189 S *	6/2004	Weremchuk et al.	.....	D8/371

2006/0071131 A1\* 4/2006 Young et al. .... 248/200

\* cited by examiner

*Primary Examiner*—Holly H Baynham

(74) *Attorney, Agent, or Firm*—Stetina Brunda Garred &  
Brucker

(57) **CLAIM**

The ornamental design for a slider bracket, as shown and described.

**DESCRIPTION**

FIG. 1 is a front perspective view of my design for a slider bracket, the notches shown in phantom lines are for illustrative purposes only and forms not part of the claimed design;

FIG. 2 is a top side elevational view thereof;

FIG. 3 is a front side elevational view thereof;

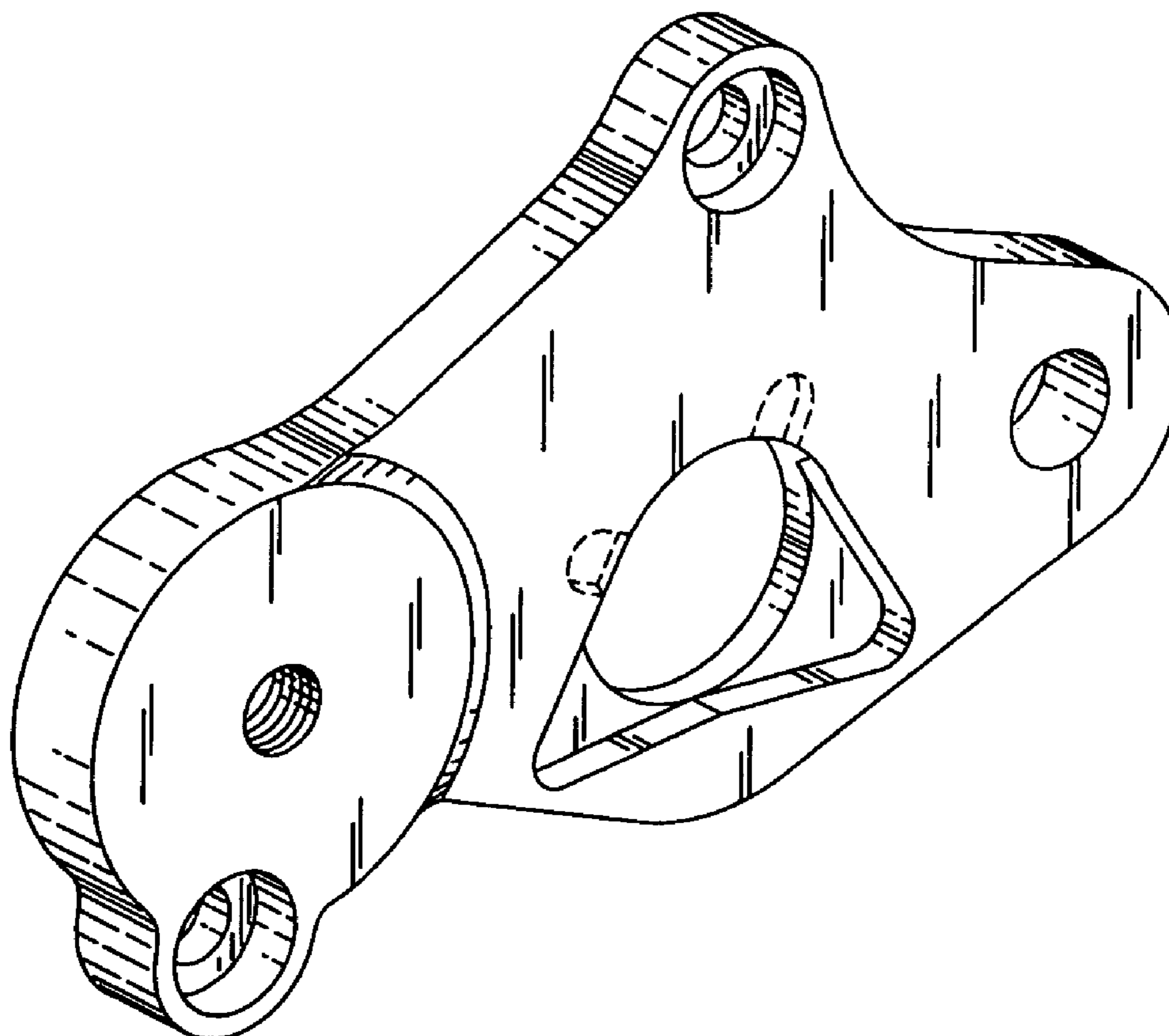
FIG. 4 is a bottom side elevational view thereof;

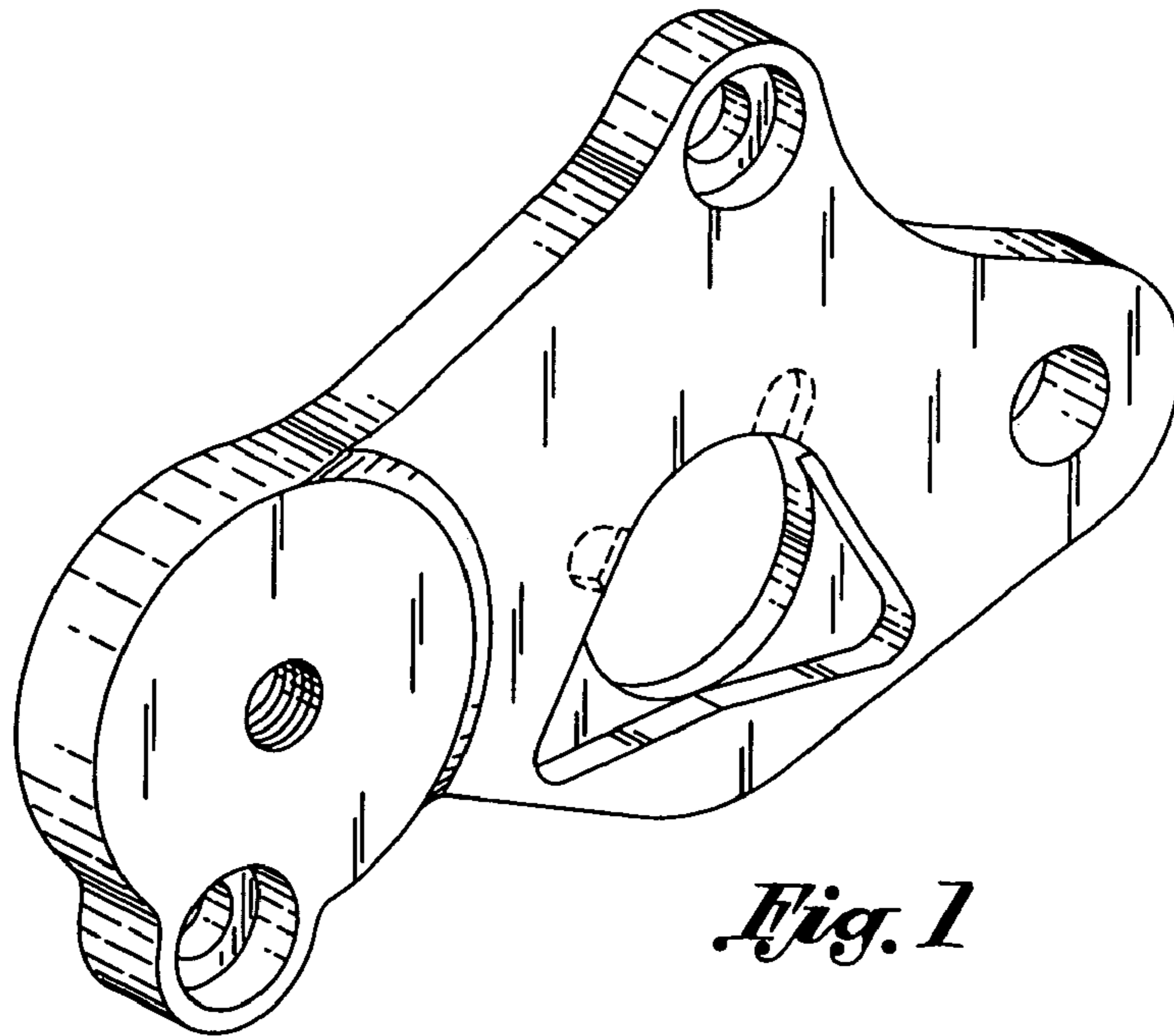
FIG. 5 is a front elevational view thereof;

FIG. 6 is a rear elevational view thereof; and,

FIG. 7 is a back side elevational view thereof.

**1 Claim, 2 Drawing Sheets**

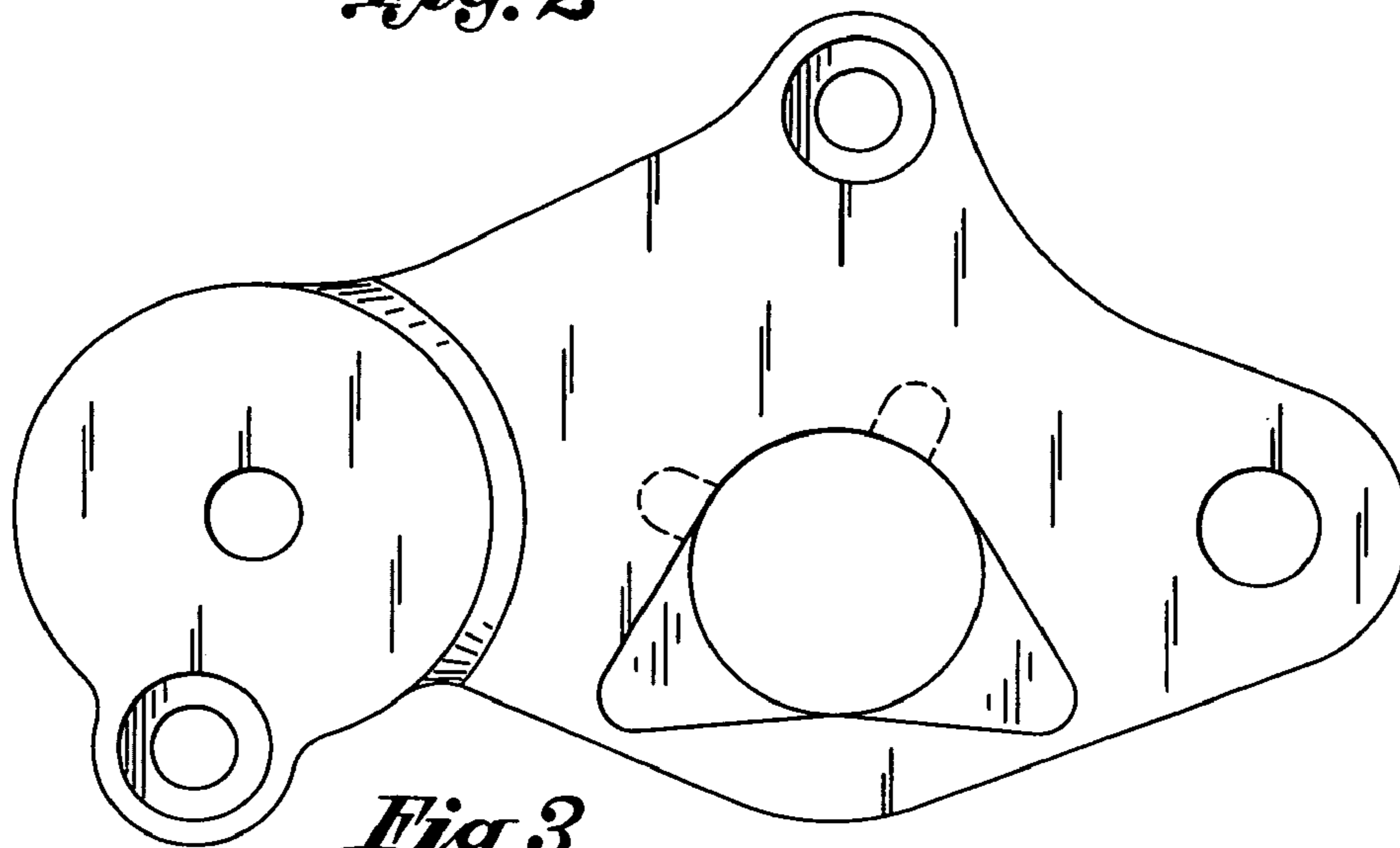




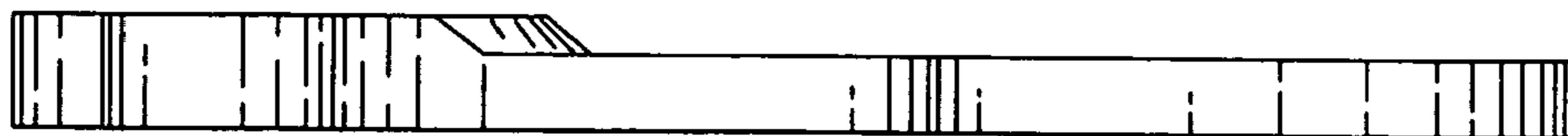
*Fig. 1*



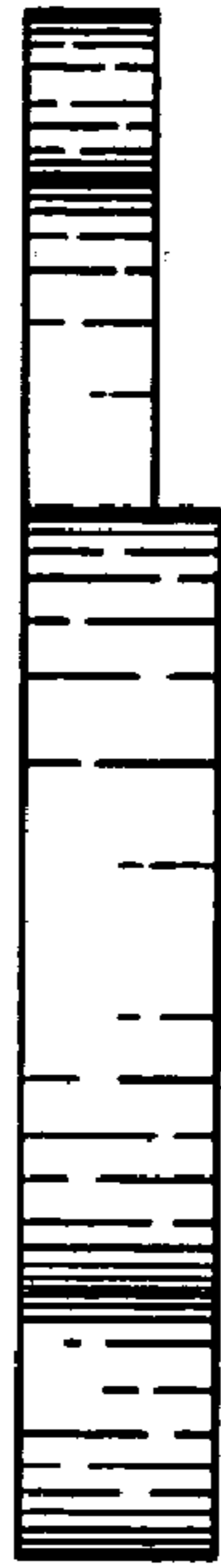
*Fig. 2*



*Fig. 3*



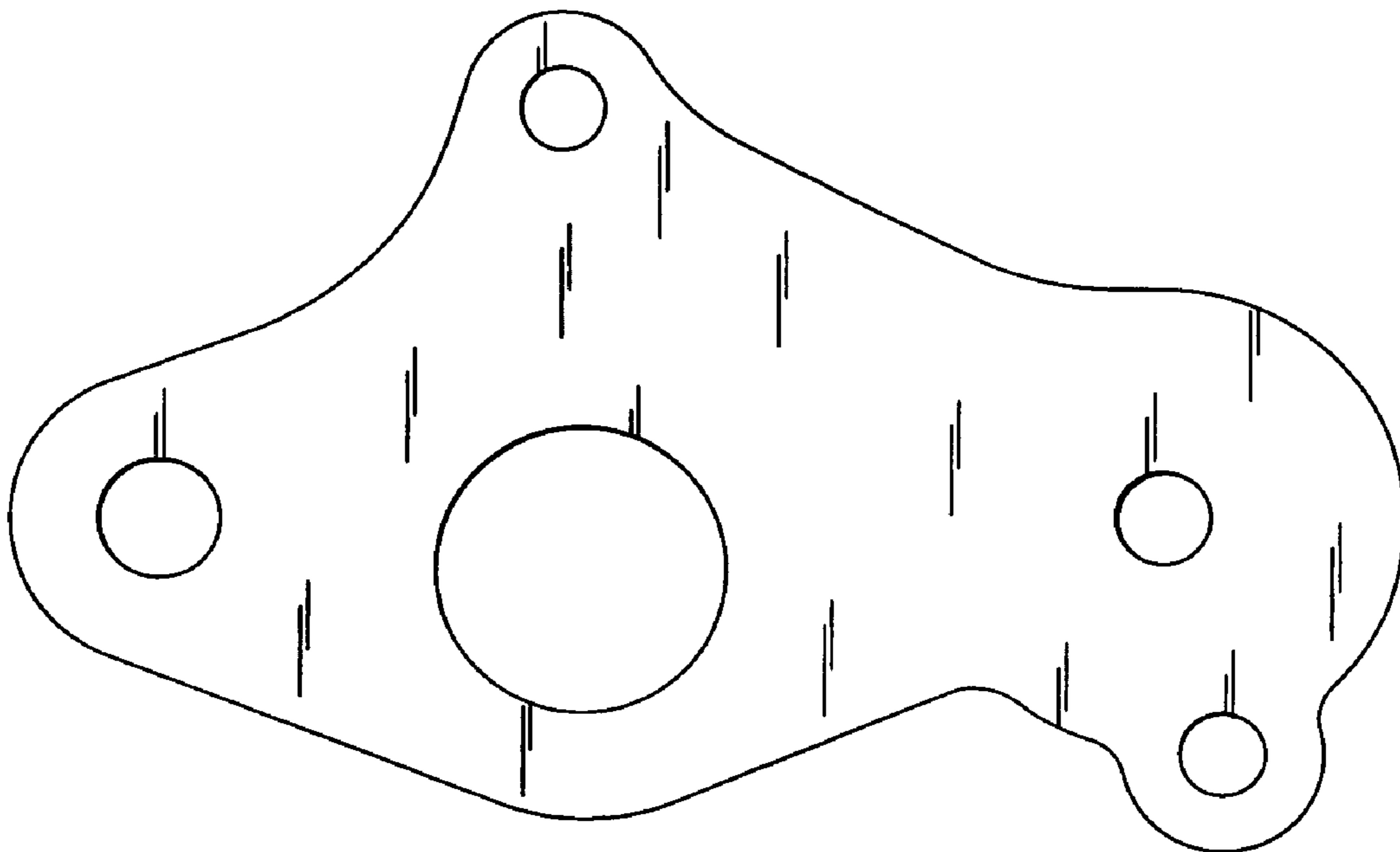
*Fig. 4*



*Fig. 5*



*Fig. 6*



*Fig. 7*