



US00D562110S

(12) **United States Design Patent**
Garcia

(10) **Patent No.:** **US D562,110 S**

(45) **Date of Patent:** **** Feb. 19, 2008**

(54) **TRAILER WHEEL LOCK**

D440,859 S	4/2001	Denman	
D508,645 S	8/2005	Marr	
D519,825 S	5/2006	Marr	
D548,046 S *	8/2007	Marr D8/343

(76) Inventor: **Teddy Garcia**, 784 Blanding Blvd.,
Orange Park, FL (US) 32065

(**) Term: **14 Years**

* cited by examiner

(21) Appl. No.: **29/271,357**

Primary Examiner—Mitchell Siegel
(74) *Attorney, Agent, or Firm*—Thomas C. Saitta

(22) Filed: **Jan. 17, 2007**

(57) **CLAIM**

(51) **LOC (8) Cl.** **08-07**

The ornamental design for a trailer wheel lock, as shown.

(52) **U.S. Cl.** **D8/343**

(58) **Field of Classification Search** D8/330–348;
70/14, 51, 57, 71–79, 91–94, 101, 18, 31–32,
70/225–226, 431, 443, 237, 259; 292/95,
292/137, 288, 289; 224/42.33; 414/463
See application file for complete search history.

DESCRIPTION

FIG. 1 is a front view of the invention.

FIG. 2 is a bottom view.

FIG. 3 is a top view.

FIG. 4 is a left side view.

FIG. 5 is a right side view; and,

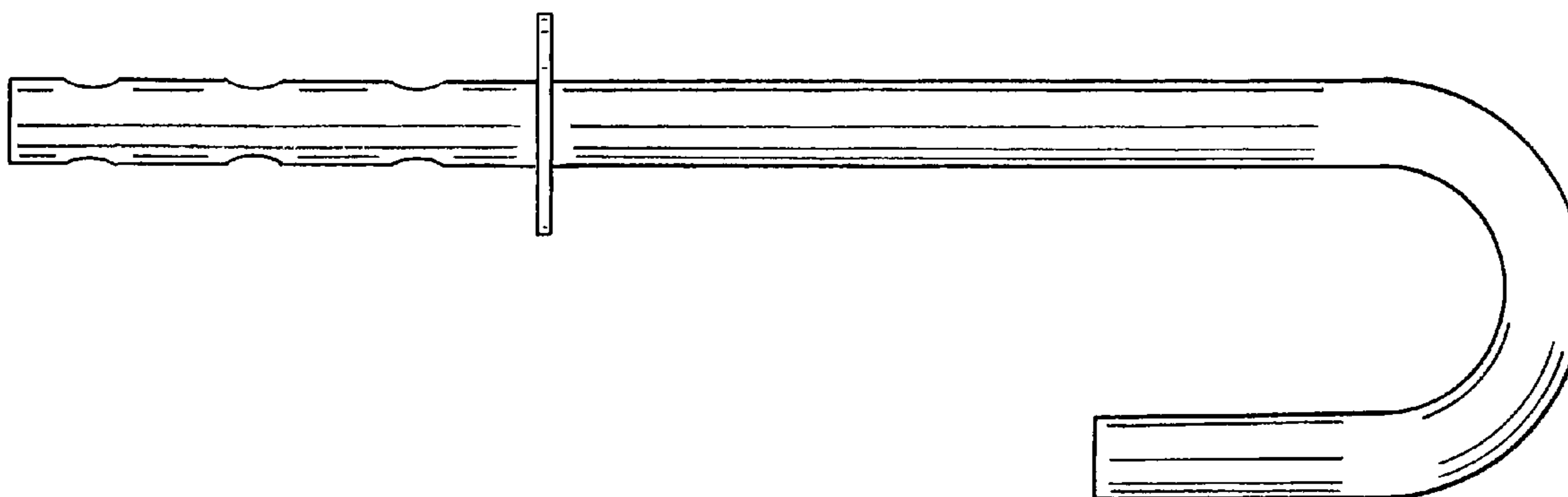
FIG. 6 is a rear view.

(56) **References Cited**

U.S. PATENT DOCUMENTS

5,475,995 A *	12/1995	Livingston	70/259
5,638,710 A *	6/1997	Howard et al.	70/259
D396,627 S *	8/1998	Blad	D8/339

1 Claim, 3 Drawing Sheets



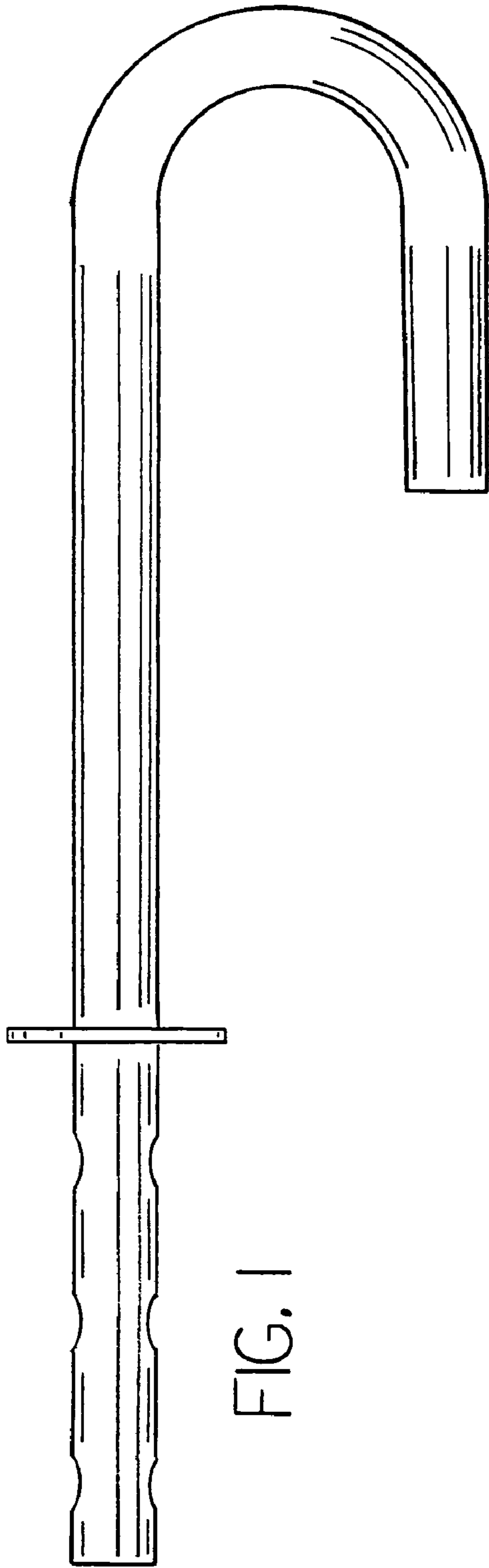


FIG. 1

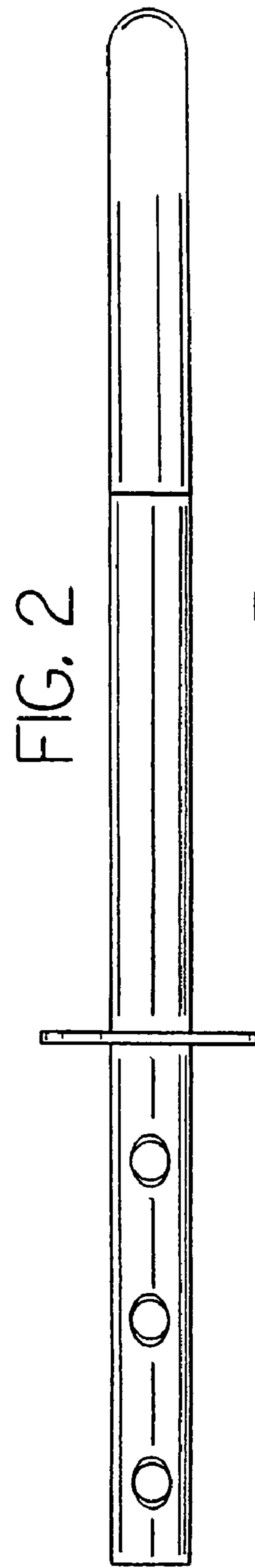


FIG. 2

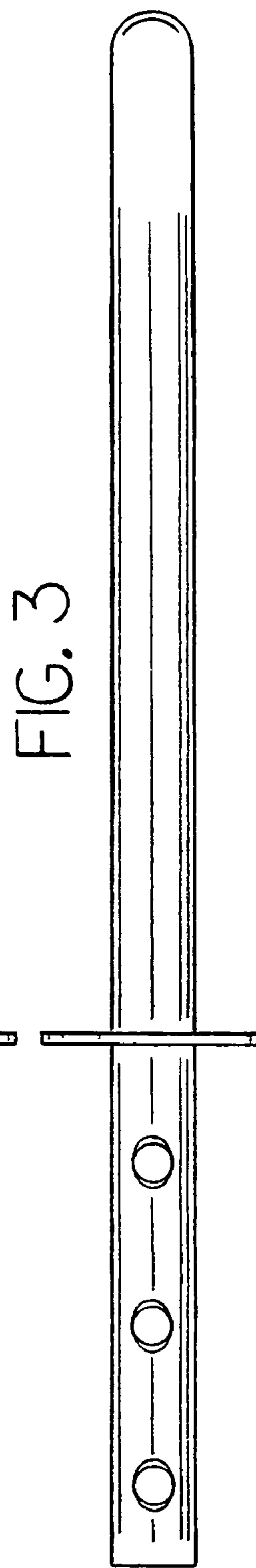


FIG. 3

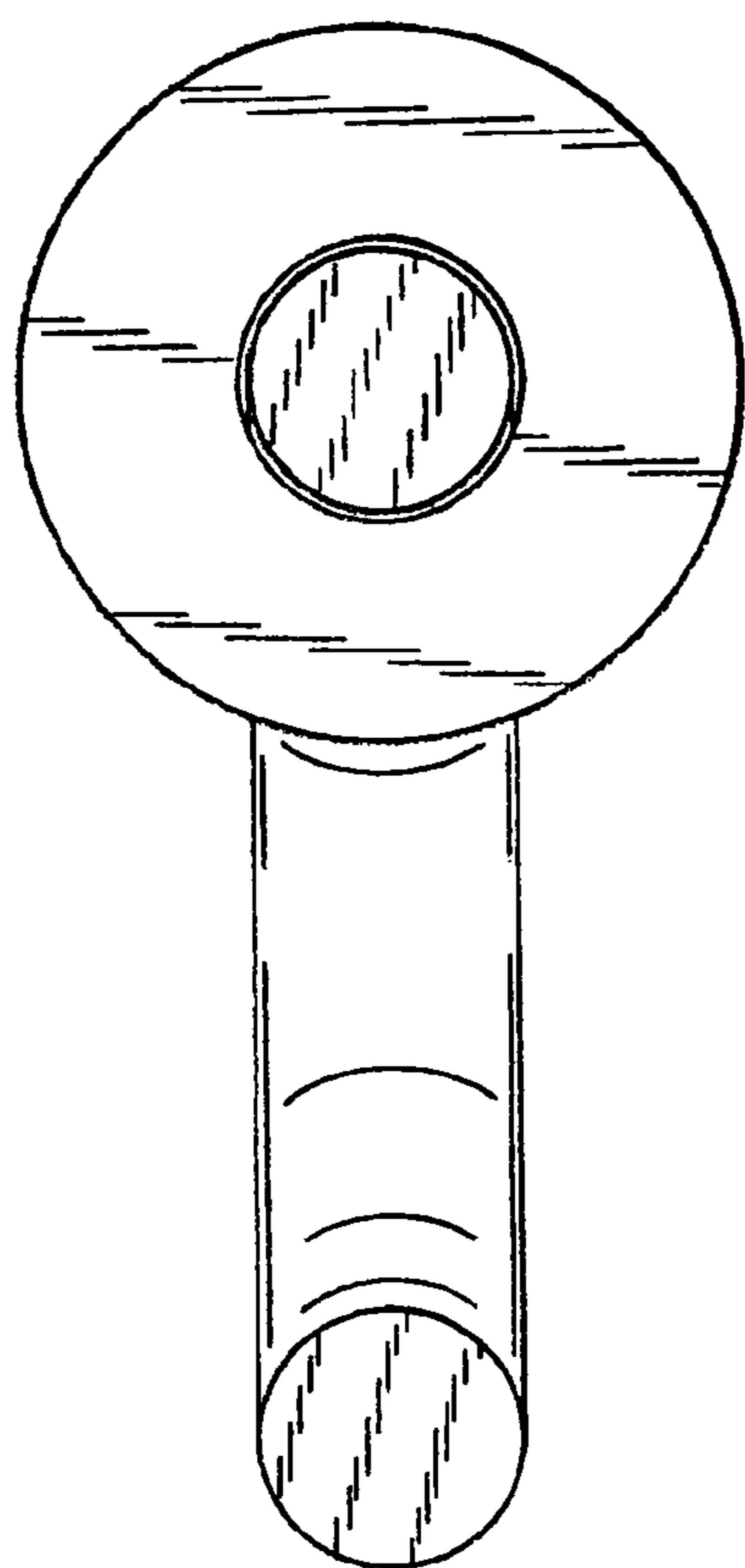


FIG. 4

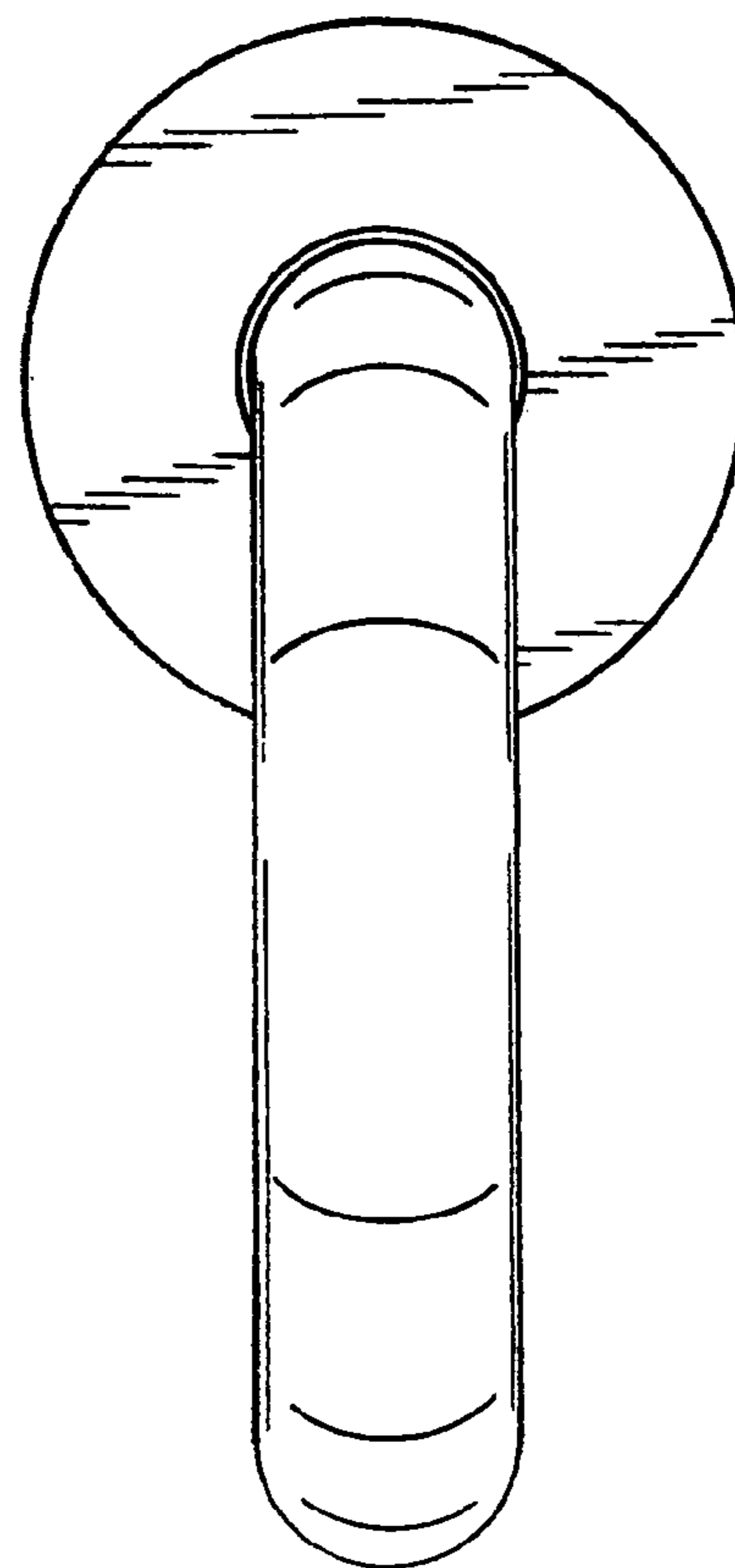


FIG. 5

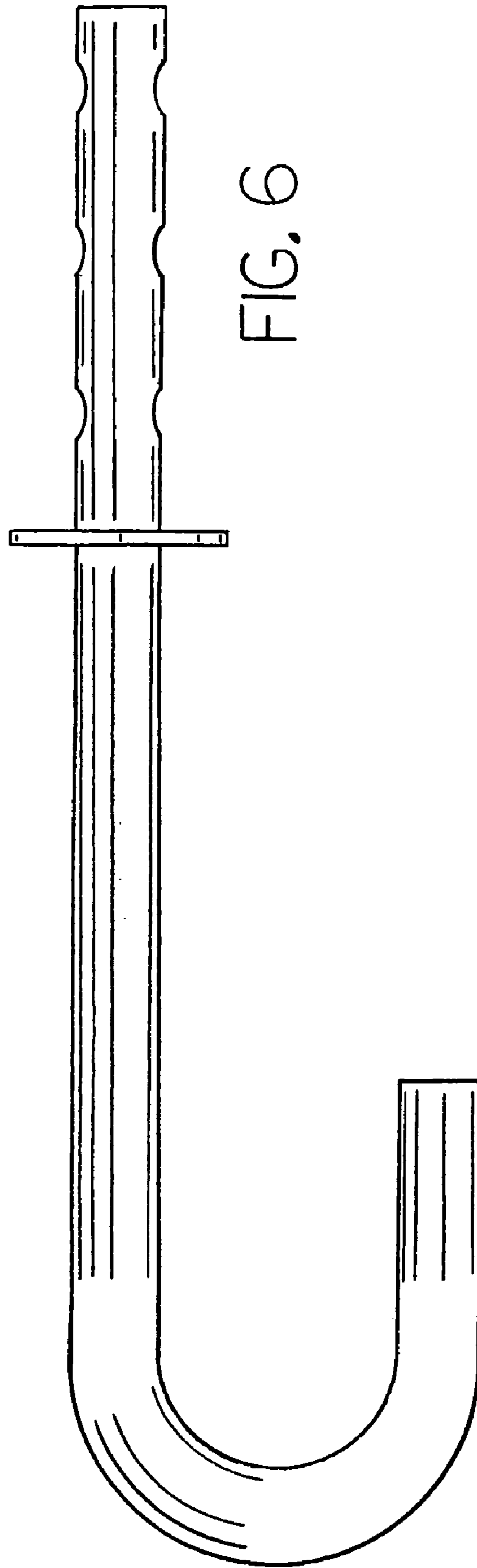


FIG. 6