



US00D562108S

(12) **United States Design Patent**
Pester et al.

(10) **Patent No.:** **US D562,108 S**
(45) **Date of Patent:** **** Feb. 19, 2008**

(54) **HINGE FOR PACKAGING HOUSING**

Primary Examiner—T. Chase Nelson
(74) *Attorney, Agent, or Firm*—Lackenbach Siegel, LLP

(75) Inventors: **Thomas Pester**, Memmingerberg (DE);
Hans Haug, Bad Groenenbach (DE)

(57) **CLAIM**

(73) Assignee: **Emil Pester GmbH** (DE)

The ornamental design for the hinge for packaging housing,
as shown and described.

(**) Term: **14 Years**

(21) Appl. No.: **29/235,189**

DESCRIPTION

(22) Filed: **Jul. 28, 2005**

Related U.S. Application Data

(63) Continuation-in-part of application No. 29/233,546,
filed on Jul. 6, 2005, now Pat. No. Des. 543,222.

(51) **LOC (8) Cl.** **08-06**

(52) **U.S. Cl.** **D8/323**

(58) **Field of Classification Search** D8/323,
D8/324, 325, 326, 327, 328, 329, 349, 354,
D8/356; 16/234–237, 239–241, 245–246,
16/249, 254, 261–262, 265, 272, 277, 307,
16/319, 335, 339, 342, 379, 381–383, 384,
16/385, 386, 387, 388, 389, 221, DIG. 13,
16/DIG. 40, 309, 316; D23/303; 248/200,
248/221.11, 300, 309.1, 317; 4/236–240;
114/201 R; D12/317

See application file for complete search history.

FIG. 1 is a front perspective view of the hinge for packaging housing;

FIG. 2 is a rear perspective view of the hinge for packaging housing of FIG. 1;

FIG. 3 is a front elevational view of the hinge for packaging housing of FIG. 1;

FIG. 4 is a rear elevational view of the hinge for packaging housing of FIG. 1;

FIG. 5 is a left side elevational view of the hinge for packaging housing of FIG. 1;

FIG. 6 is a right side elevational view of the hinge for packaging housing of FIG. 1;

FIG. 7 is a top plan view of the hinge for packaging housing of FIG. 1;

FIG. 8 is a bottom plan view of the hinge for packaging housing of FIG. 1;

FIG. 9 is a perspective of the hinge for packaging housing shown in condition of use mounted to packaging housing; and,

FIG. 10 is an enlarged partial perspective view of the hinge for packaging housing as shown in FIG. 9.

The hinge for packaging housing is shown broken away in order to indicate that a specific length of hinge for packaging housing forms no part of the claimed design.

The broken line showing of environmental structure is for illustrative purposes only and forms no part of the claimed design.

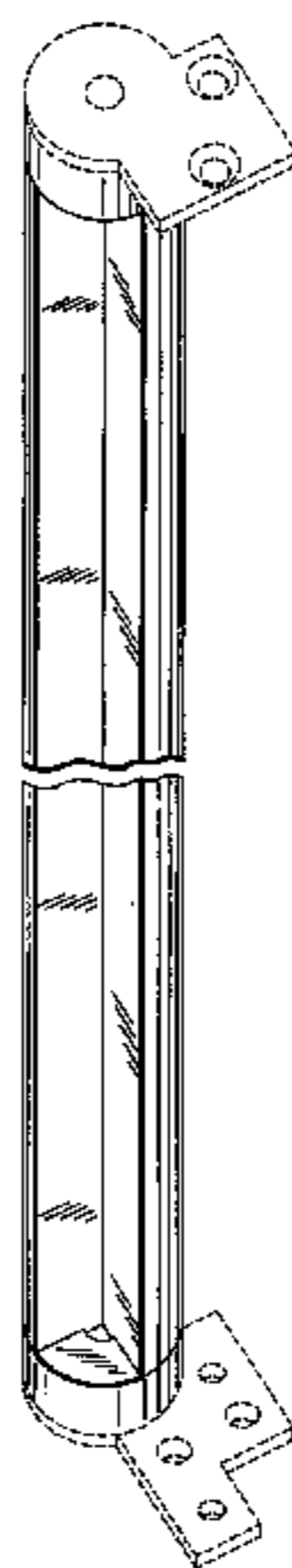
(56) **References Cited**

U.S. PATENT DOCUMENTS

964,137	A *	7/1910	Williams	16/239
2,818,146	A *	12/1957	Palmieri	16/389
3,104,415	A *	9/1963	Stocker	16/221
3,104,428	A *	9/1963	Benham	D8/323
3,869,752	A *	3/1975	Klay	16/234
D249,455	S *	9/1978	Tilley	D8/323
D262,188	S *	12/1981	Thompson	D8/329
4,846,089	A *	7/1989	Cedergreen	D12/317

(Continued)

1 Claim, 5 Drawing Sheets



US D562,108 S

Page 2

U.S. PATENT DOCUMENTS

D411,434 S *	6/1999	Russell	D8/323	6,484,363 B1 *	11/2002	Chung	16/241
D432,388 S *	10/2000	Plumley	D8/328	6,484,657 B1 *	11/2002	Donovan et al.	114/201 R
6,336,249 B1 *	1/2002	Plumley	16/234	D511,084 S *	11/2005	Georgopoulos	D8/323
6,389,644 B1 *	5/2002	Russo	16/DIG. 43	D523,322 S *	6/2006	Thurston et al.	D8/323

* cited by examiner

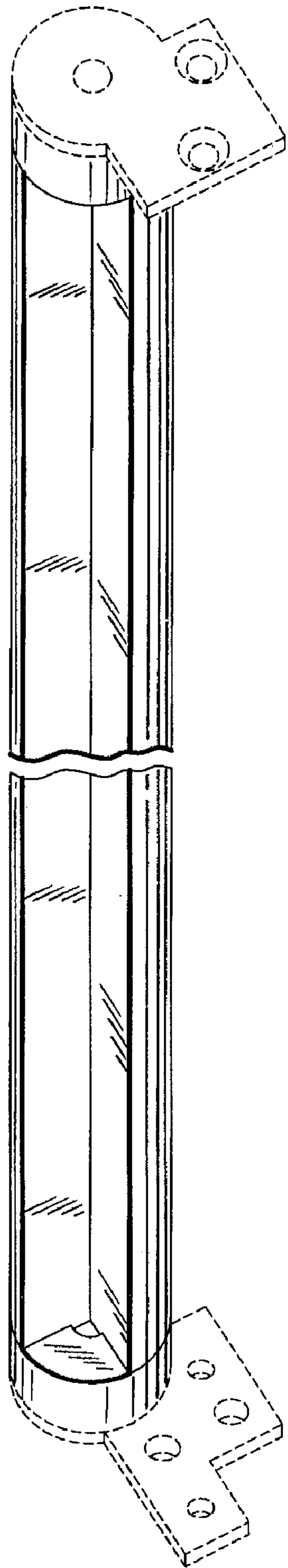


FIG. 1

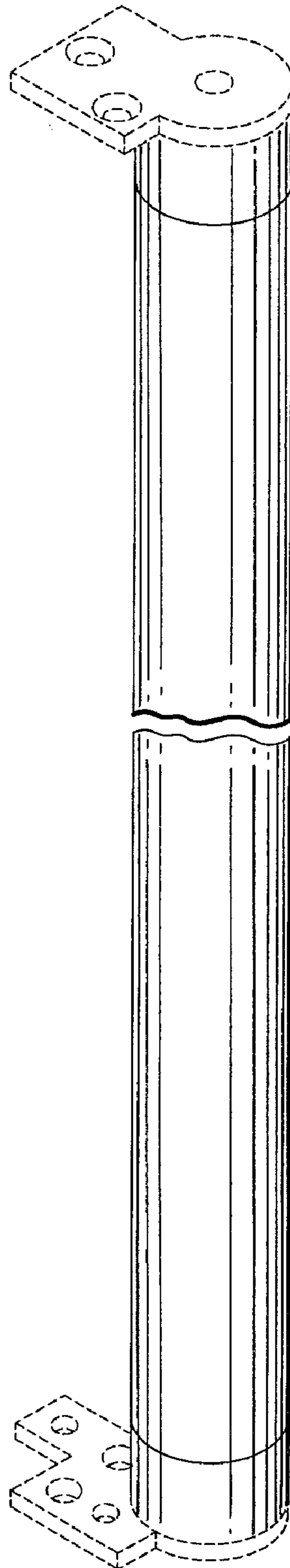


FIG. 2

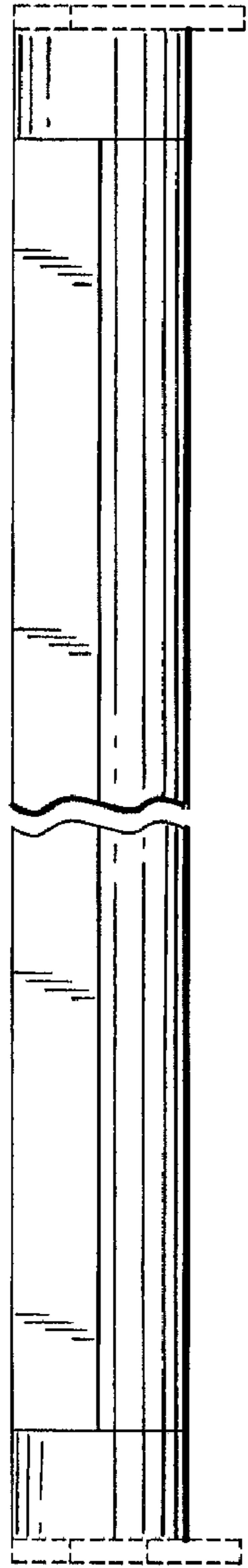


FIG. 3

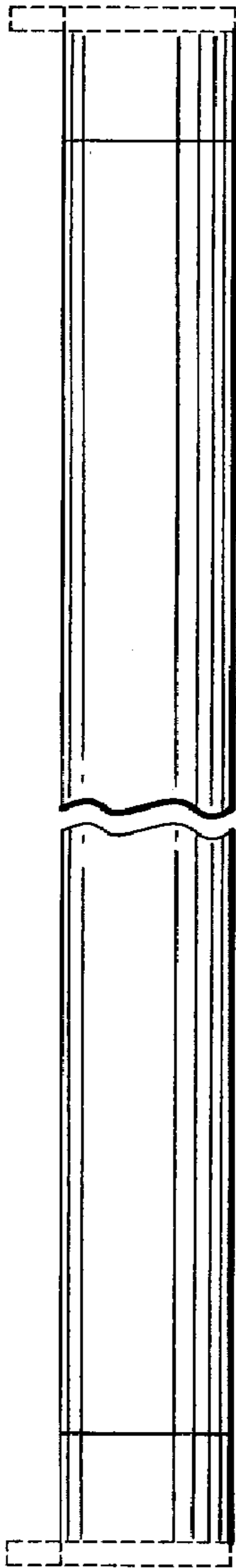


FIG. 4

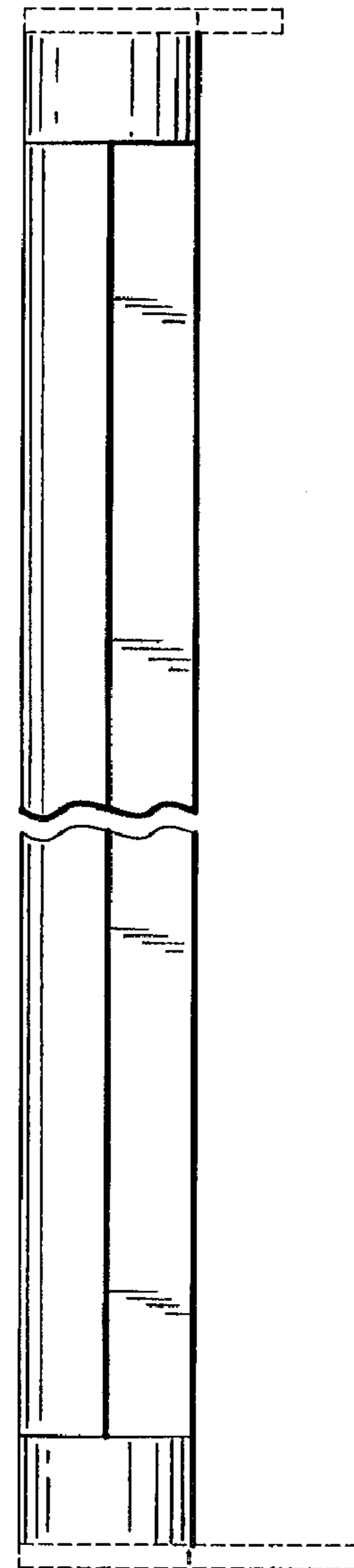


FIG. 5

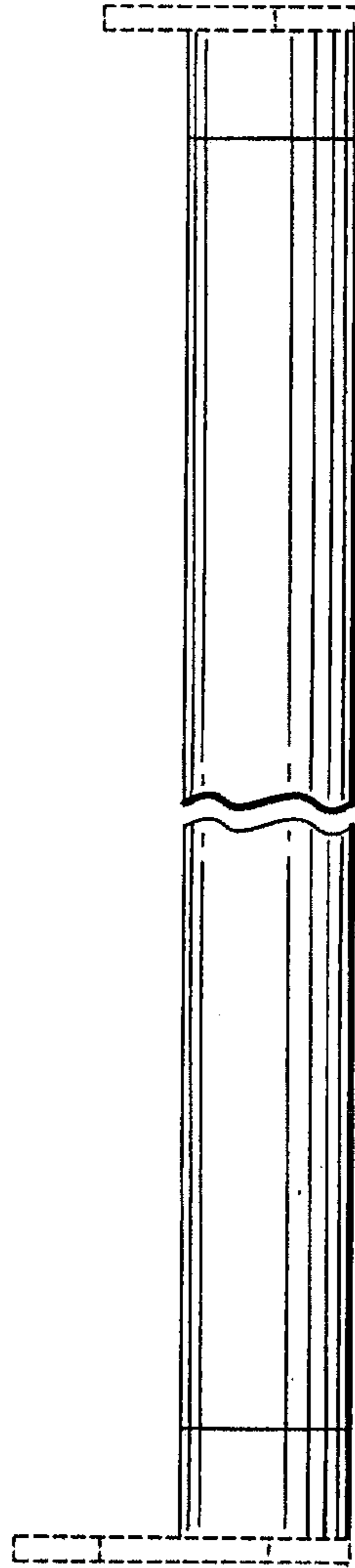


FIG. 6

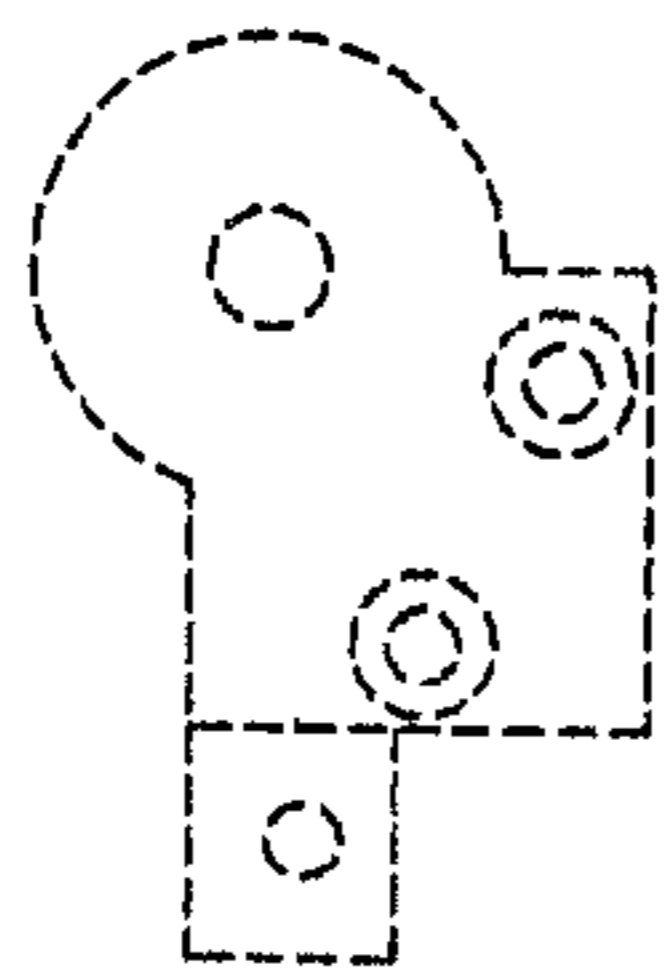


FIG. 7

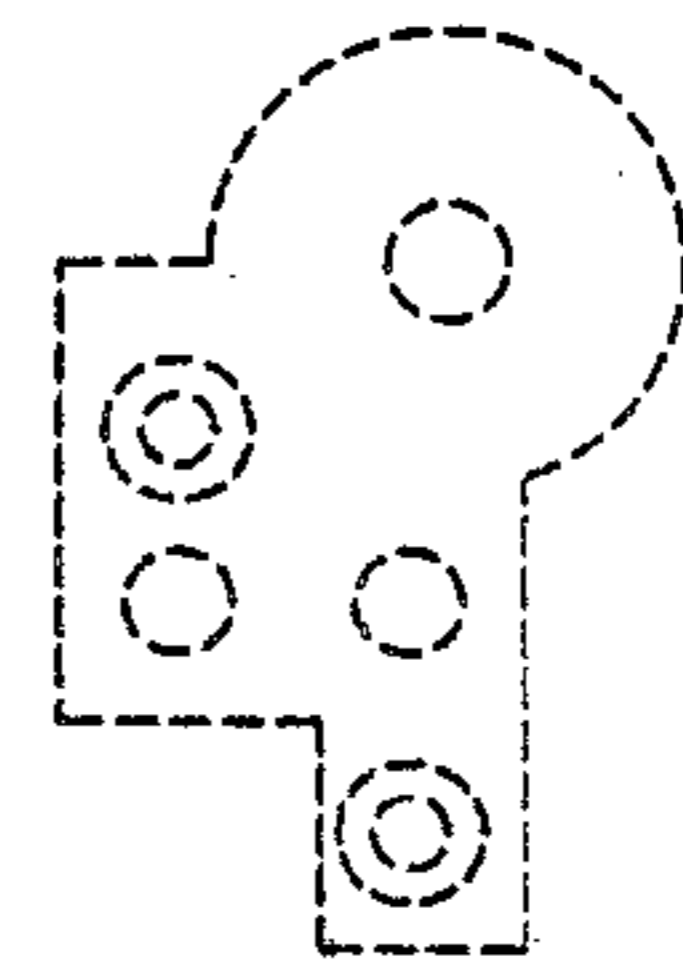
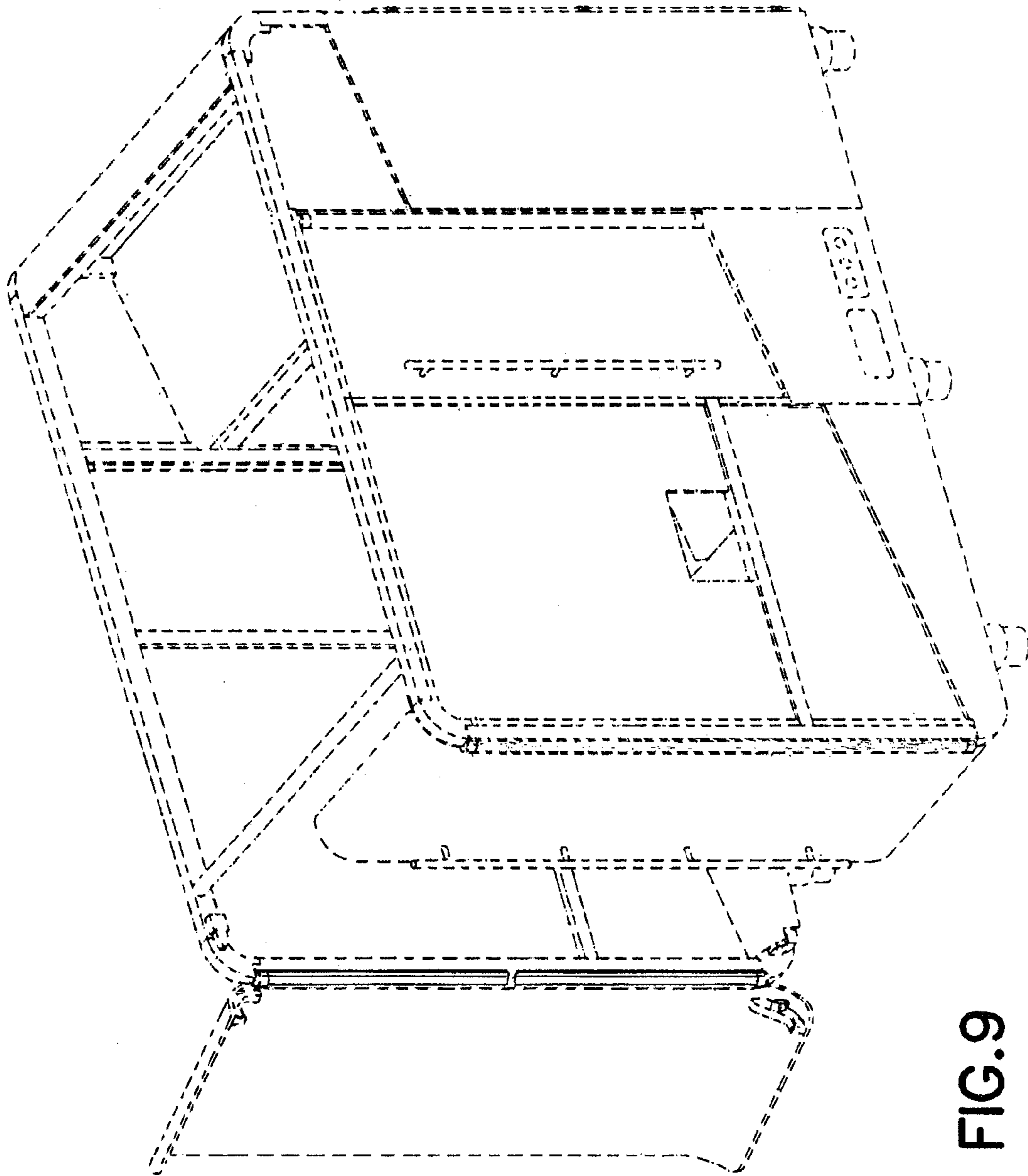


FIG. 8



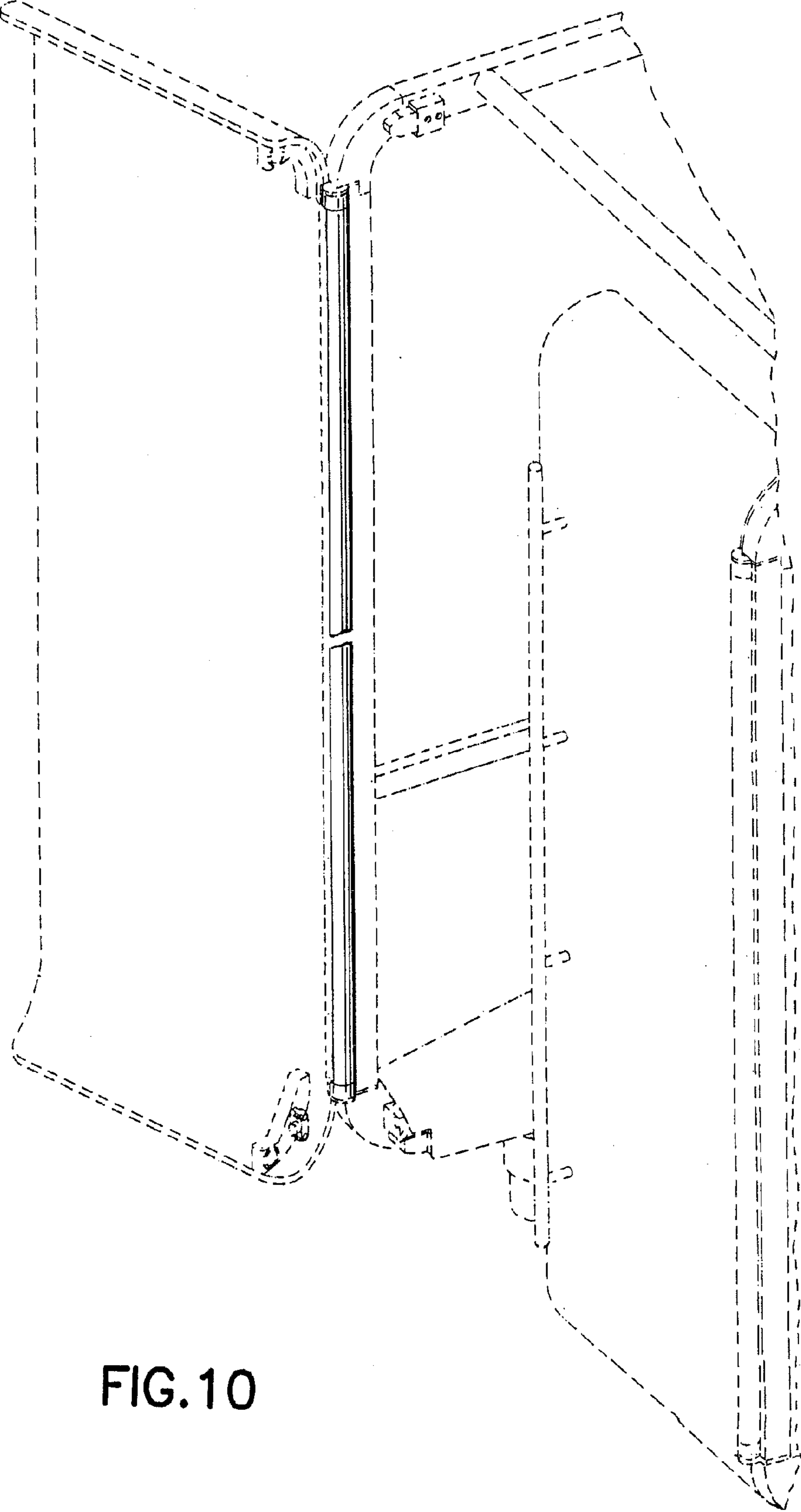


FIG. 10