



US00D562104S

(12) **United States Design Patent**
Griffis

(10) **Patent No.:** **US D562,104 S**

(45) **Date of Patent:** **** Feb. 19, 2008**

(54) **MODULAR TRANSIT ASSIST HANDLE**

(75) Inventor: **David C. Griffis**, Round Lake, IL (US)

(73) Assignee: **Wabtec Holding Corporation**,
Wilmerding, PA (US)

(**) Term: **14 Years**

(21) Appl. No.: **29/267,408**

(22) Filed: **Oct. 13, 2006**

(51) **LOC (8) Cl.** **08-06**

(52) **U.S. Cl.** **D8/300; D8/303**

(58) **Field of Classification Search** D8/300,
D8/303, 306, 315, 316, 317, DIG. 1; D3/276,
D3/282, 291; 16/110.1, 113.1, 405, 410,
16/411, 414-419, 443-445; 190/18 A, 39,
190/100, 102, 115-118; 150/107, 110, 117-118
See application file for complete search history.

5,806,142 A *	9/1998	Wang	16/405
D399,406 S *	10/1998	Decursu et al.	D8/317
D400,424 S	11/1998	Lewis et al.		
5,898,973 A *	5/1999	Schmidt	16/445
6,061,871 A *	5/2000	Wang	16/113.1
6,062,357 A *	5/2000	Bogert	190/18 A
6,145,897 A	11/2000	Locher		
D438,776 S	3/2001	Boscherini		
D449,215 S	10/2001	Bertani		
6,612,626 B2	9/2003	O'Brien, II		
6,715,225 B1	4/2004	Frolov et al.		
D495,236 S	8/2004	Gurzenda		
D504,804 S	5/2005	Chen		
6,938,740 B2 *	9/2005	Gandy	190/18 A
D511,955 S	11/2005	Baldwin et al.		
D517,897 S *	3/2006	Want et al.	D8/300
7,188,715 B1 *	3/2007	Chen	190/115
7,232,019 B2 *	6/2007	Chang et al.	190/115

* cited by examiner

Primary Examiner—Paula A. Greene

(74) *Attorney, Agent, or Firm*—The Webb Law Firm

(56) **References Cited**

U.S. PATENT DOCUMENTS

D161,376 S	12/1950	Rettich		
D168,631 S	1/1953	Miller		
2,846,714 A *	8/1958	Charlick	16/411
D190,266 S	5/1961	Watt		
D193,544 S	9/1962	Unter		
D197,164 S *	12/1963	Koffler	D8/316
D197,209 S	12/1963	Plumridge		
D199,615 S	11/1964	Aleks		
D199,839 S	12/1964	Simpson		
D218,619 S	9/1970	Young		
D229,291 S	11/1973	Frawley		
4,019,004 A	4/1977	Gute		
D258,228 S	2/1981	Rumbaugh		
D266,122 S	9/1982	Haug		
D270,994 S	10/1983	Tegner		
4,871,204 A	10/1989	Cook et al.		
D304,672 S	11/1989	Pearson		
D370,617 S	6/1996	Decursu et al.		
5,630,250 A *	5/1997	Chou	16/113.1
5,632,062 A	5/1997	Katz et al.		
5,694,663 A *	12/1997	Tserng	16/113.1

(57) **CLAIM**

The ornamental design for a modular transit assist handle, as shown and described.

DESCRIPTION

FIG. 1 is a front elevation view of a modular transit assist handle of the present invention;

FIG. 2 is a side elevation view of a modular transit assist handle of the present invention;

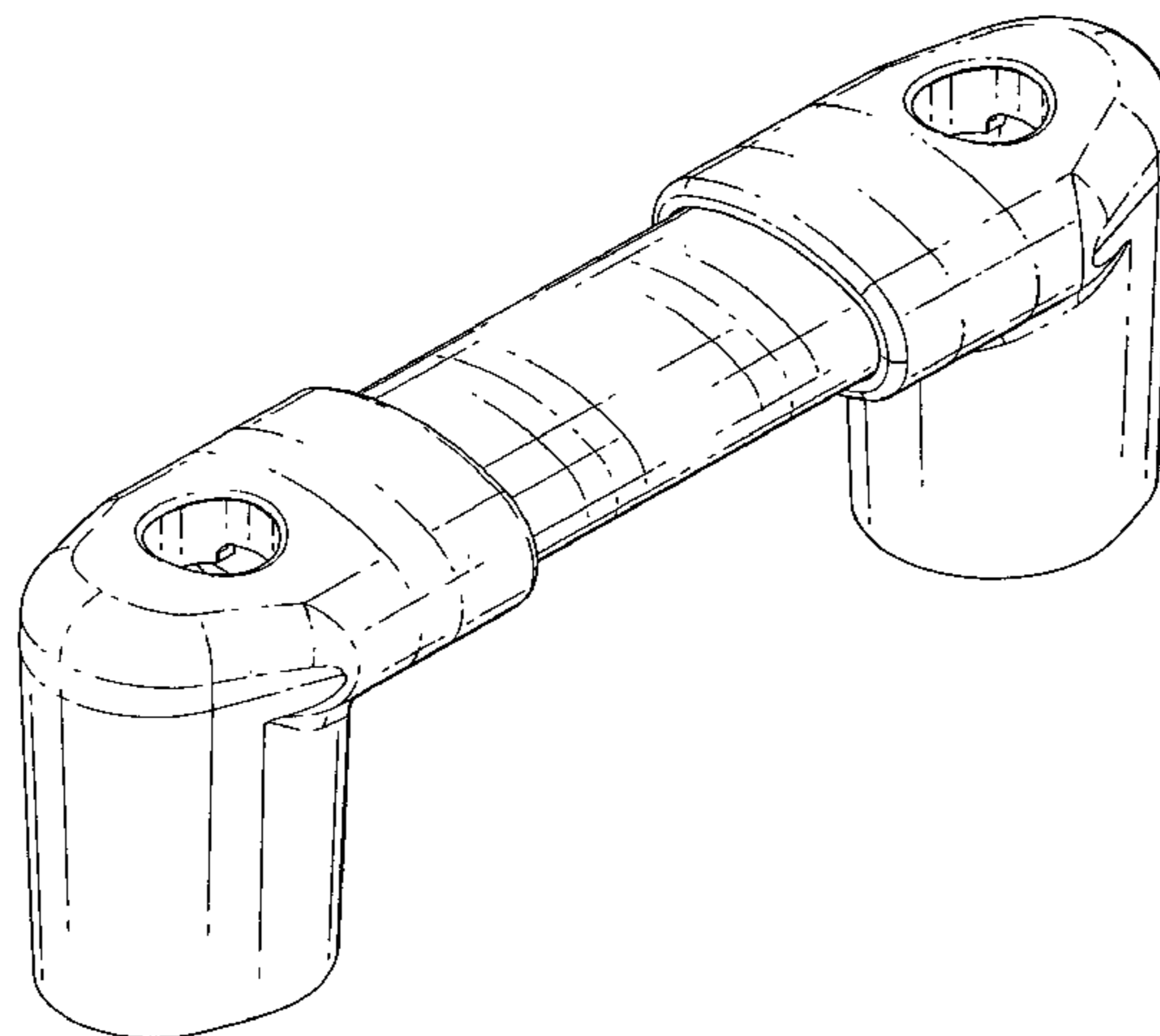
FIG. 3 is a top plan view of a modular transit assist handle of the present invention;

FIG. 4 is an end view of a modular transit assist handle of the present invention;

FIG. 5 is also an end view of a modular transit assist handle of the present invention; and,

FIG. 6 is a bottom view of a modular transit assist handle of the present invention.

1 Claim, 5 Drawing Sheets



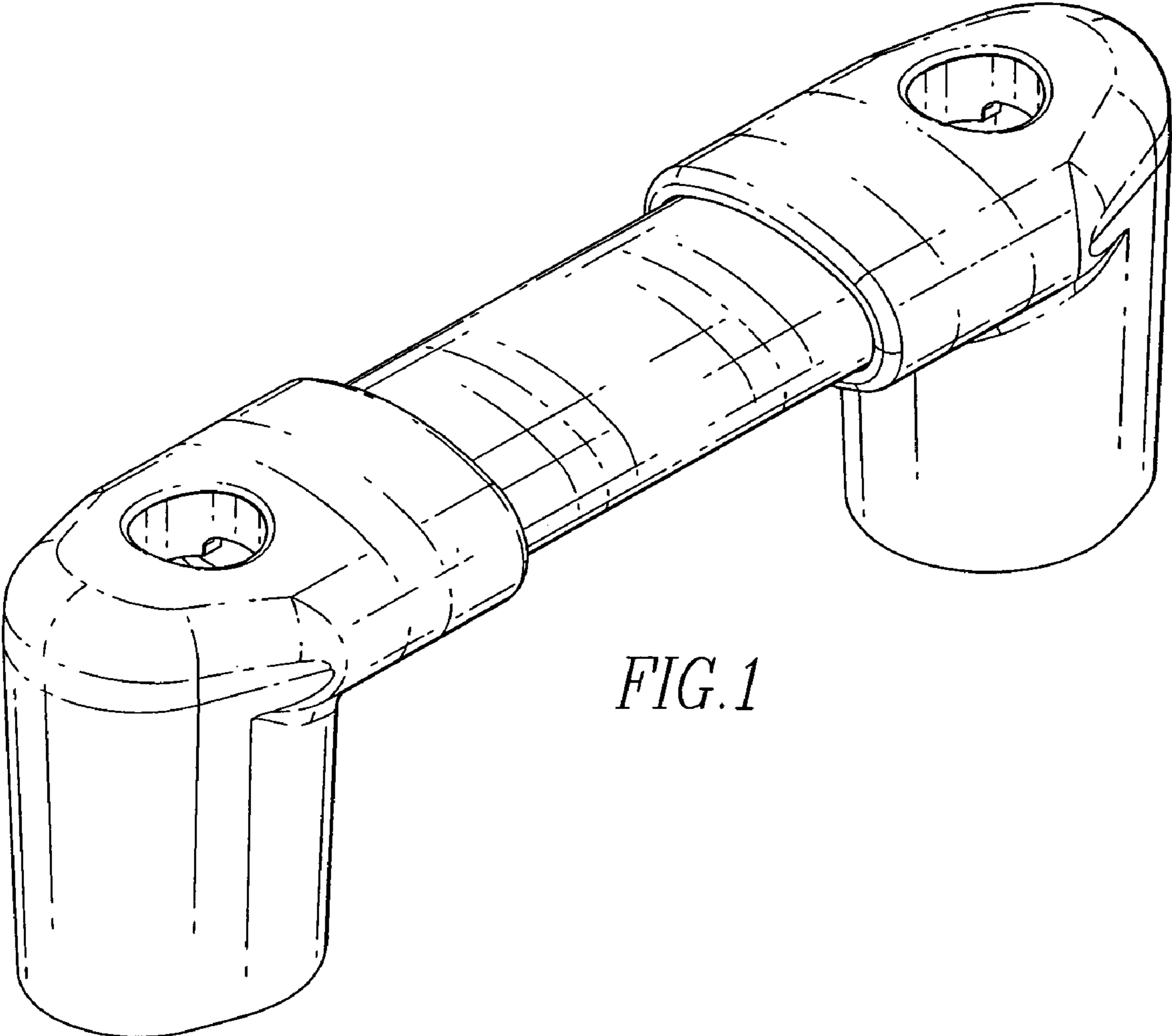


FIG. 1

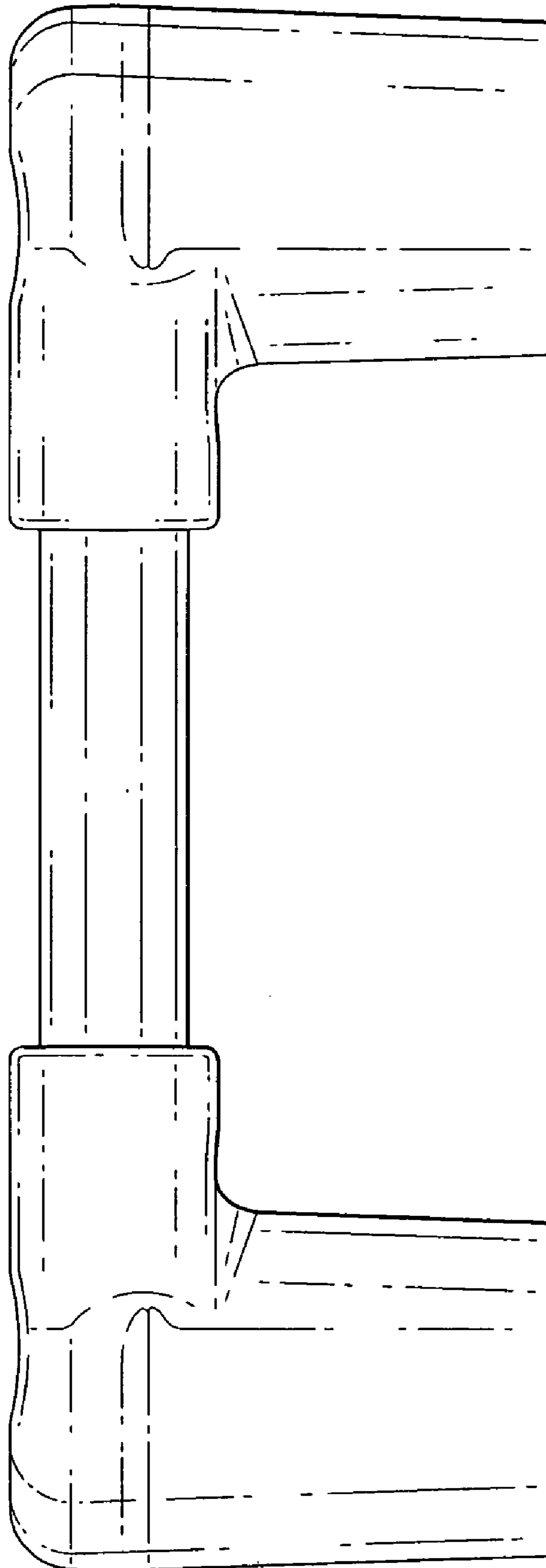


FIG. 2

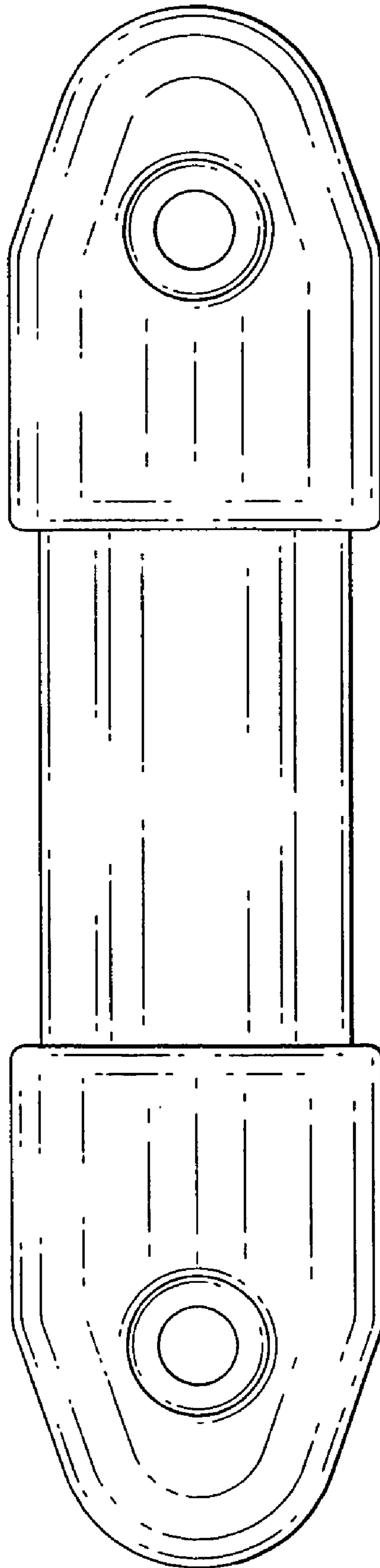


FIG. 3

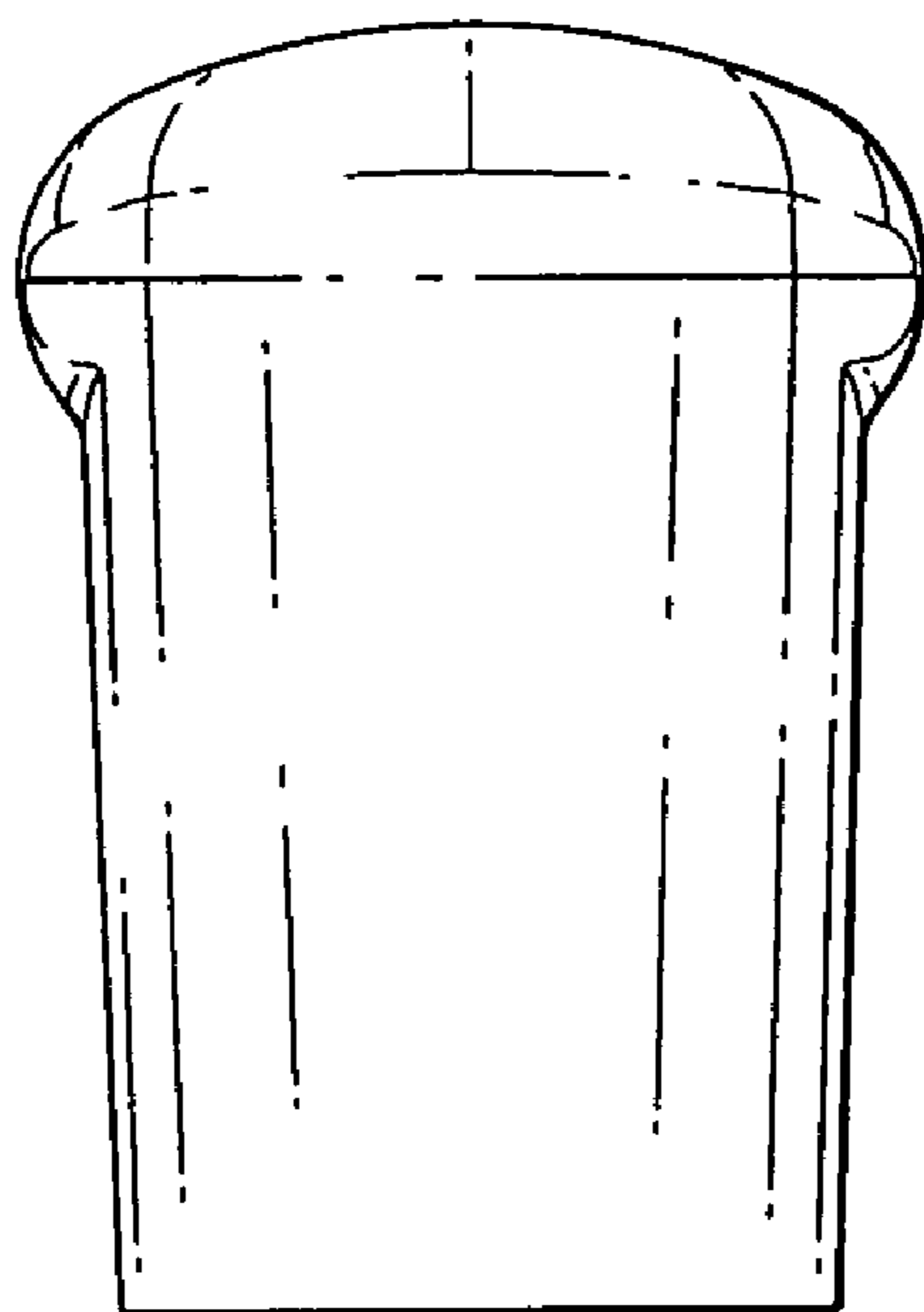


FIG. 4

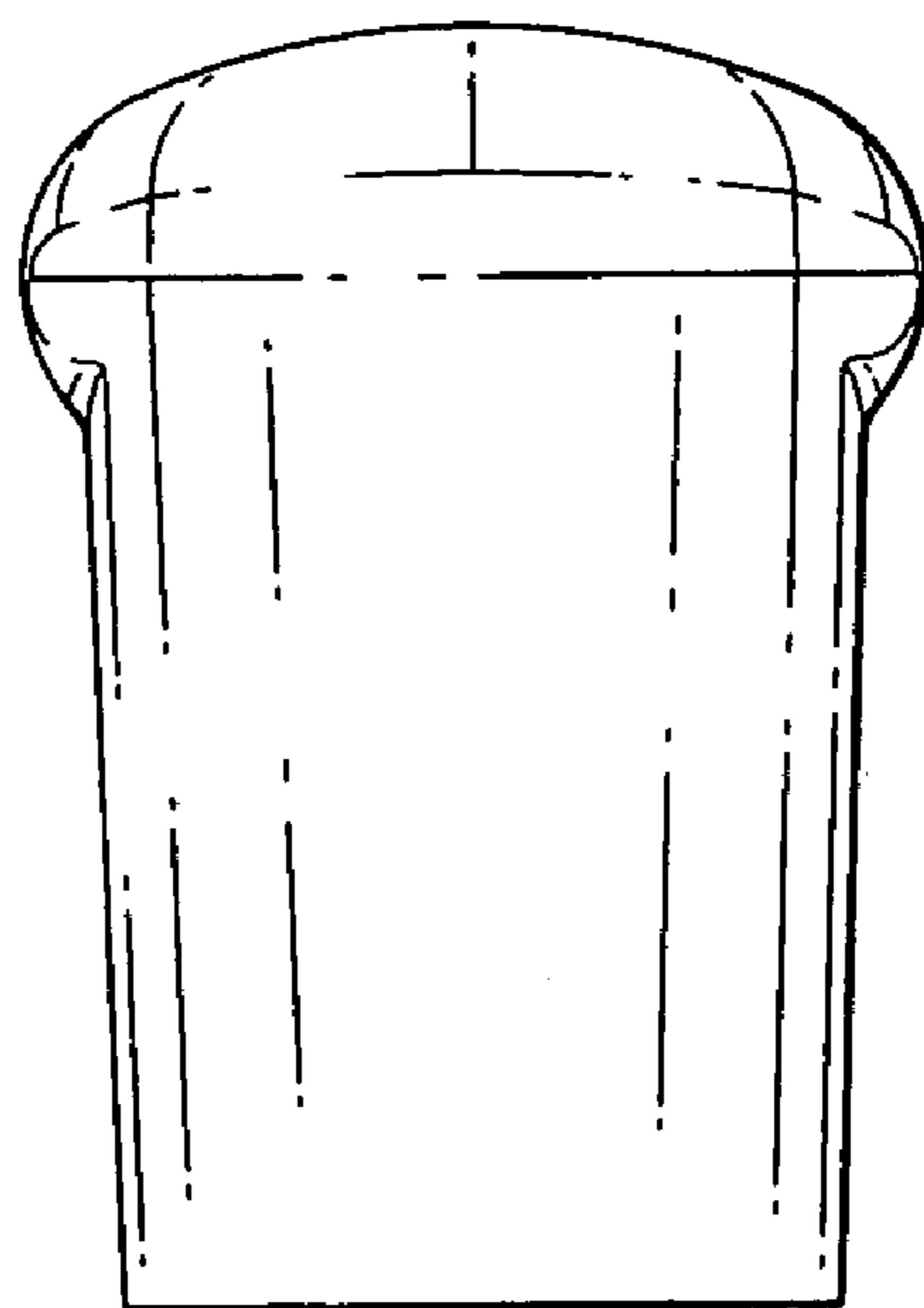


FIG. 5

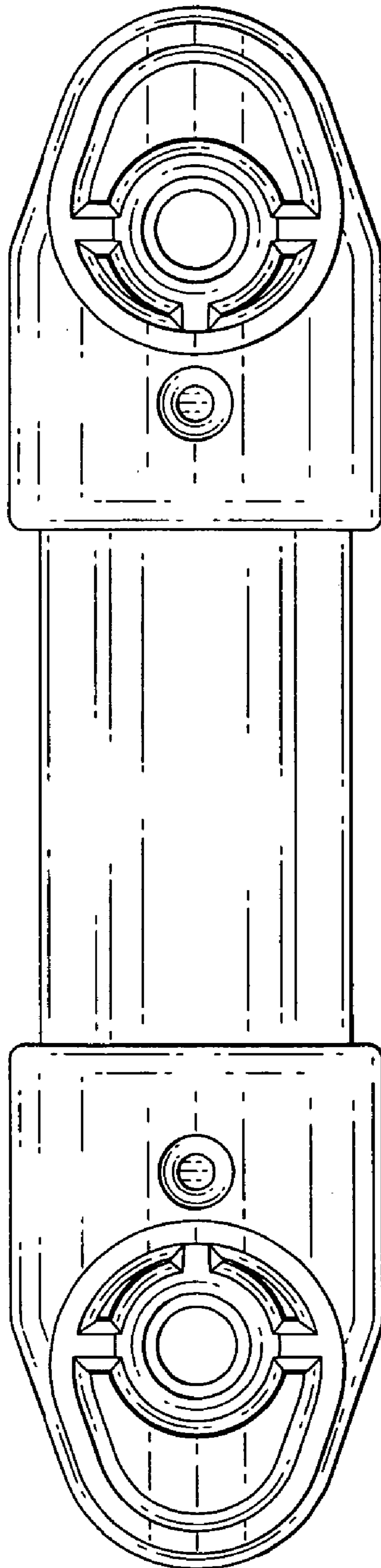


FIG. 6