



US00D562098S

(12) **United States Design Patent** (10) **Patent No.:** **US D562,098 S**  
**Ballas et al.** (45) **Date of Patent:** **\*\* Feb. 19, 2008**

(54) **TOOL IDENTIFICATION ATTACHMENT**

(75) Inventors: **Richard W. Ballas**, Westlake, OH (US); **Craig Warner**, North Olmsted, OH (US)

(73) Assignee: **Emerson Electric Co.**, St. Louis, MO (US)

(\*\*) Term: **14 Years**

(21) Appl. No.: **29/239,989**

(22) Filed: **Oct. 6, 2005**

(51) **LOC (8) Cl.** ..... **08-05**

(52) **U.S. Cl.** ..... **D8/70**

(58) **Field of Classification Search** ..... D8/10, D8/52, 61-74, 80, 90, 93, 98, 99, 105, 107, D8/303, 312, 314, 394-396; D4/101, 113; D7/683, 686; D19/65, 76, 86; D22/104, D22/108; 15/235.4, 235.8; 24/3.1, 67 R, 24/455, 489, 499, 500, 502; 30/124, 492; 42/71.02, 74; 81/57.11, 177.1; 172/371, 172/379, 380; 173/13, 104, 114, 168-171, 173/213, 217; 206/15.3, 261, 362; 294/99.2; 310/50; 404/118, 97; 408/124; 451/344, 451/345, 351, 353, 357-359, 364, 365, 367, 451/371; 452/195

See application file for complete search history.

(56) **References Cited**

**U.S. PATENT DOCUMENTS**

- 1,170,065 A \* 2/1916 Hirschman ..... 15/265
- D53,453 S \* 6/1919 Lloyd ..... D4/108
- 1,967,775 A \* 7/1934 Kantor ..... 15/185
- 2,653,637 A \* 9/1953 Rea ..... 81/177.1
- 2,655,968 A \* 10/1953 Simmons ..... 15/247
- 2,673,641 A \* 3/1954 Carrillo ..... 206/362.2
- 3,124,399 A \* 3/1964 Seta ..... 312/206
- D218,671 S \* 9/1970 Ruggles ..... D8/52
- D233,196 S \* 10/1974 Fry ..... D6/551
- 3,883,197 A \* 5/1975 Reid ..... 312/206
- 4,396,238 A \* 8/1983 Torruella ..... 312/206

- D272,874 S \* 3/1984 Cohen ..... D6/551
- D272,938 S \* 3/1984 Mueschke, Jr. .... D22/104
- D289,883 S \* 5/1987 Penaluna ..... D8/52
- D313,154 S \* 12/1990 Pearson ..... D8/52
- D315,269 S \* 3/1991 Brazis ..... D6/551
- 5,044,039 A \* 9/1991 Picard ..... 15/184
- D324,456 S \* 3/1992 Rolleri ..... D4/108
- D351,548 S \* 10/1994 Bergkvist et al. .... D8/107
- D403,943 S \* 1/1999 Curry ..... D8/107
- D404,458 S \* 1/1999 Pruitt ..... D22/108
- D407,622 S \* 4/1999 Rivera ..... D8/107
- D422,821 S \* 4/2000 Laur ..... D6/524

(Continued)

**FOREIGN PATENT DOCUMENTS**

DE 297 18 204 U1 1/1998

*Primary Examiner*—Gary D. Watson  
*Assistant Examiner*—Karen Acker  
(74) *Attorney, Agent, or Firm*—Rankin, Hill, Porter & Clark LLP

(57) **CLAIM**

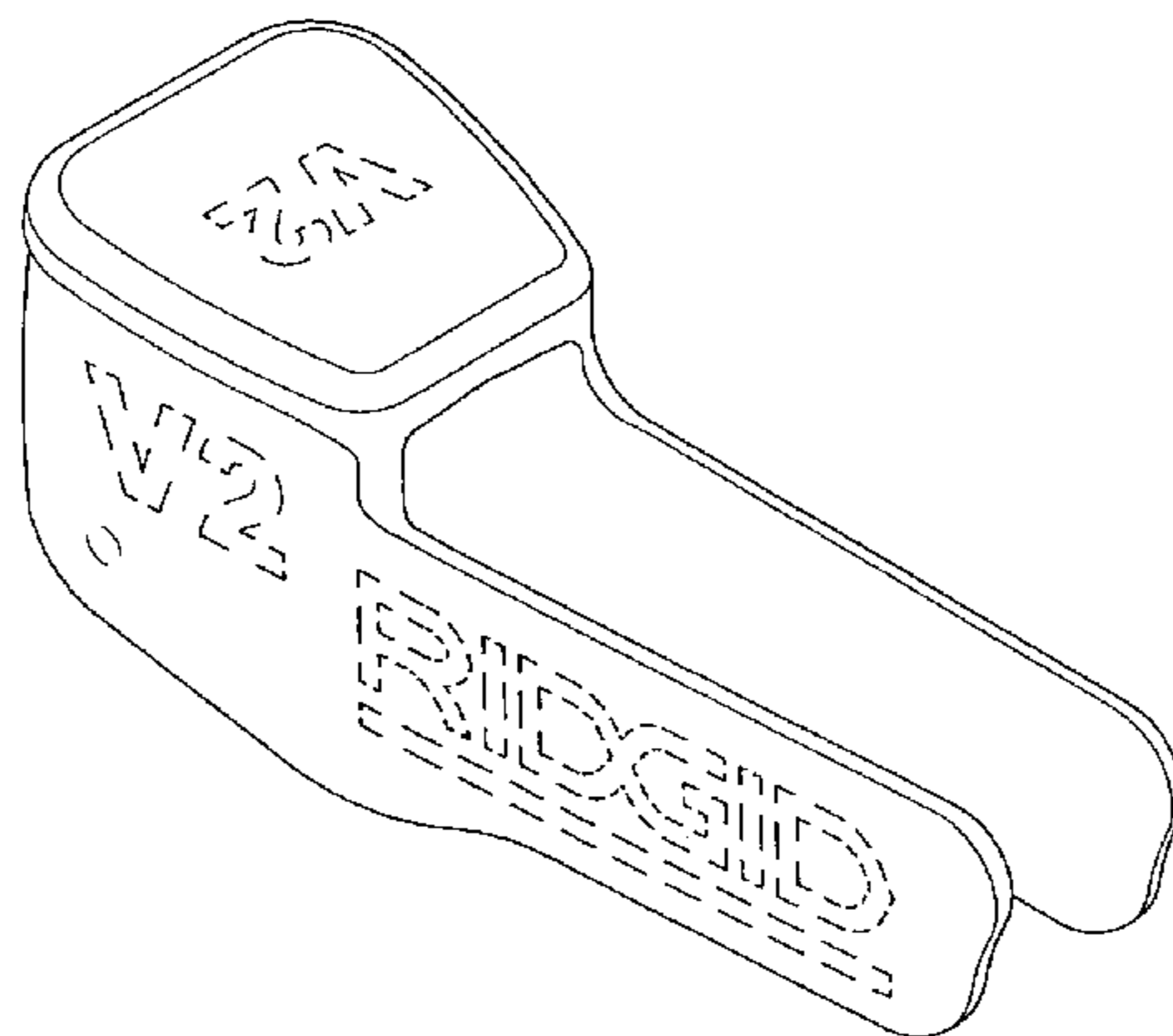
The ornamental design for a tool identification attachment, as shown and described.

**DESCRIPTION**

- FIG. 1 is a left-side elevational view of a tool identification attachment showing our new design;
- FIG. 2 is a right side elevation view thereof;
- FIG. 3 is a perspective view thereof;
- FIG. 4 is a front elevation view thereof;
- FIG. 5 is a rear elevation view thereof;
- FIG. 6 is a top view thereof; and,
- FIG. 7 is a bottom view thereof.

Indicia rendered in broken line and other broken lines in the drawings are for illustrative purposes only and are hereby disclaimed as forming part of the claimed invention.

**1 Claim, 4 Drawing Sheets**



# US D562,098 S

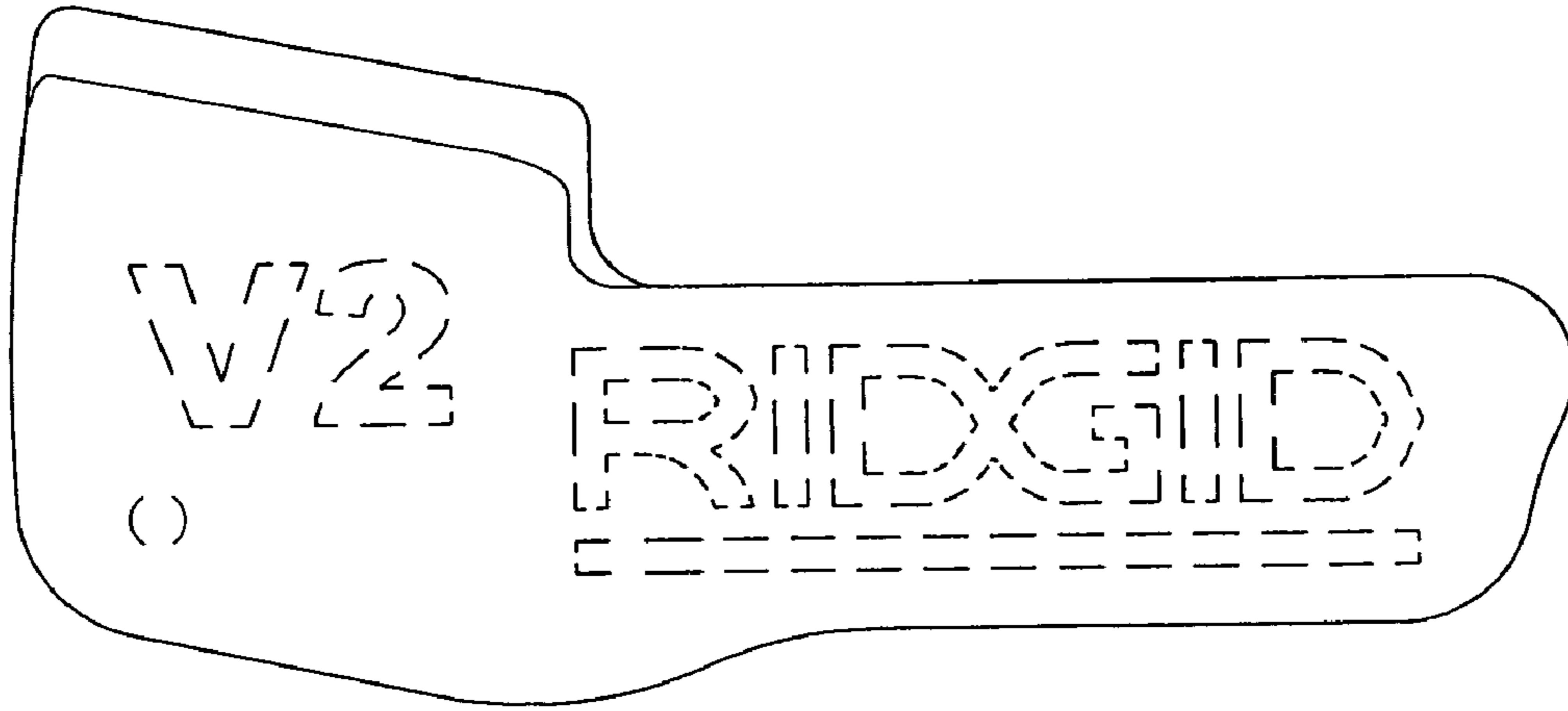
Page 2

---

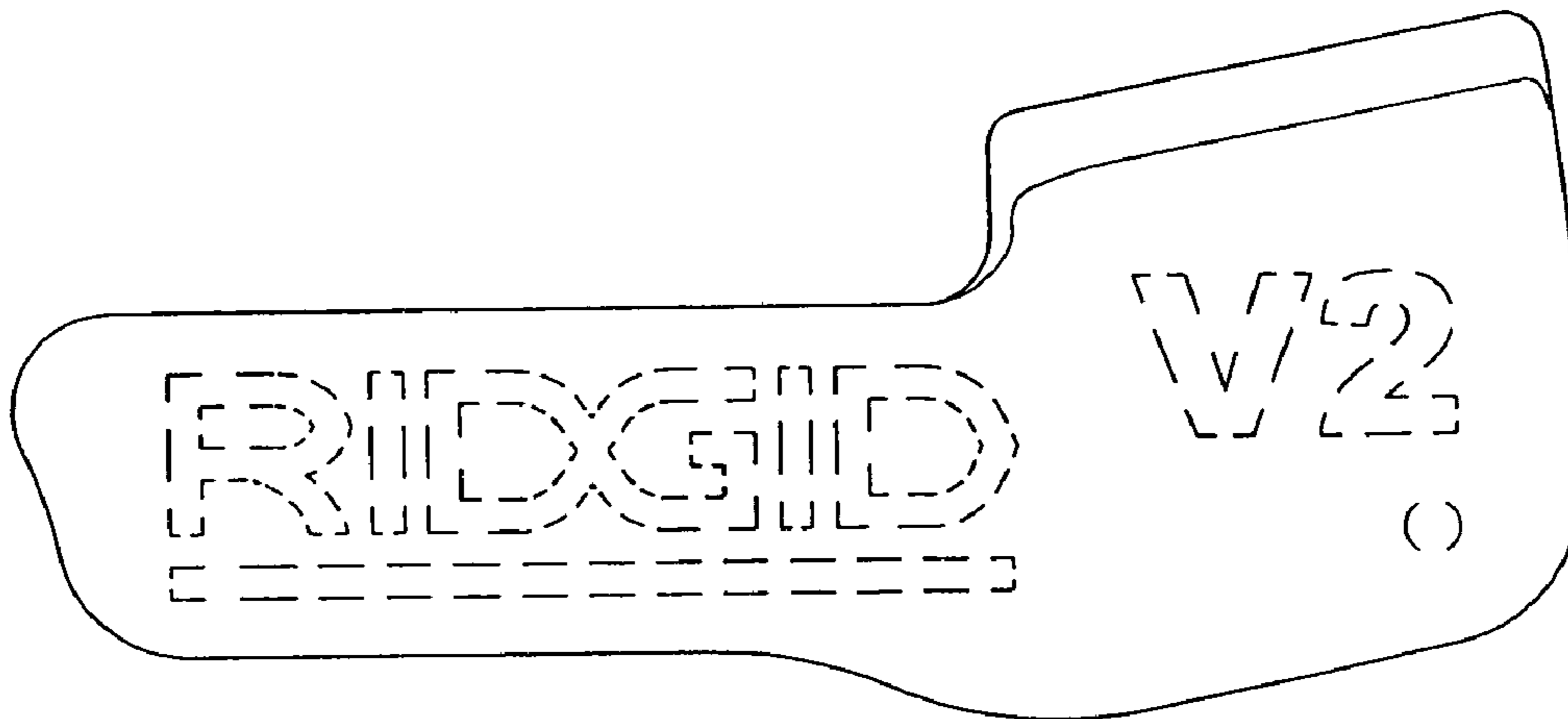
## U.S. PATENT DOCUMENTS

D428,791 S *	8/2000	Anderson et al. ....	D8/107	D529,983 S *	10/2006	Yu .....	D22/108
D452,290 S *	12/2001	Kolpin .....	D22/108	7,216,523 B2 *	5/2007	Frenken .....	72/416
D454,431 S *	3/2002	Kling et al. ....	D4/113	2005/0081687 A1 *	4/2005	Konen .....	81/427.5
D457,217 S *	5/2002	Bianco, Sr. ....	D22/108	2006/0277967 A1 *	12/2006	Ballas et al. ....	72/416
D457,413 S *	5/2002	Cooper .....	D8/107				

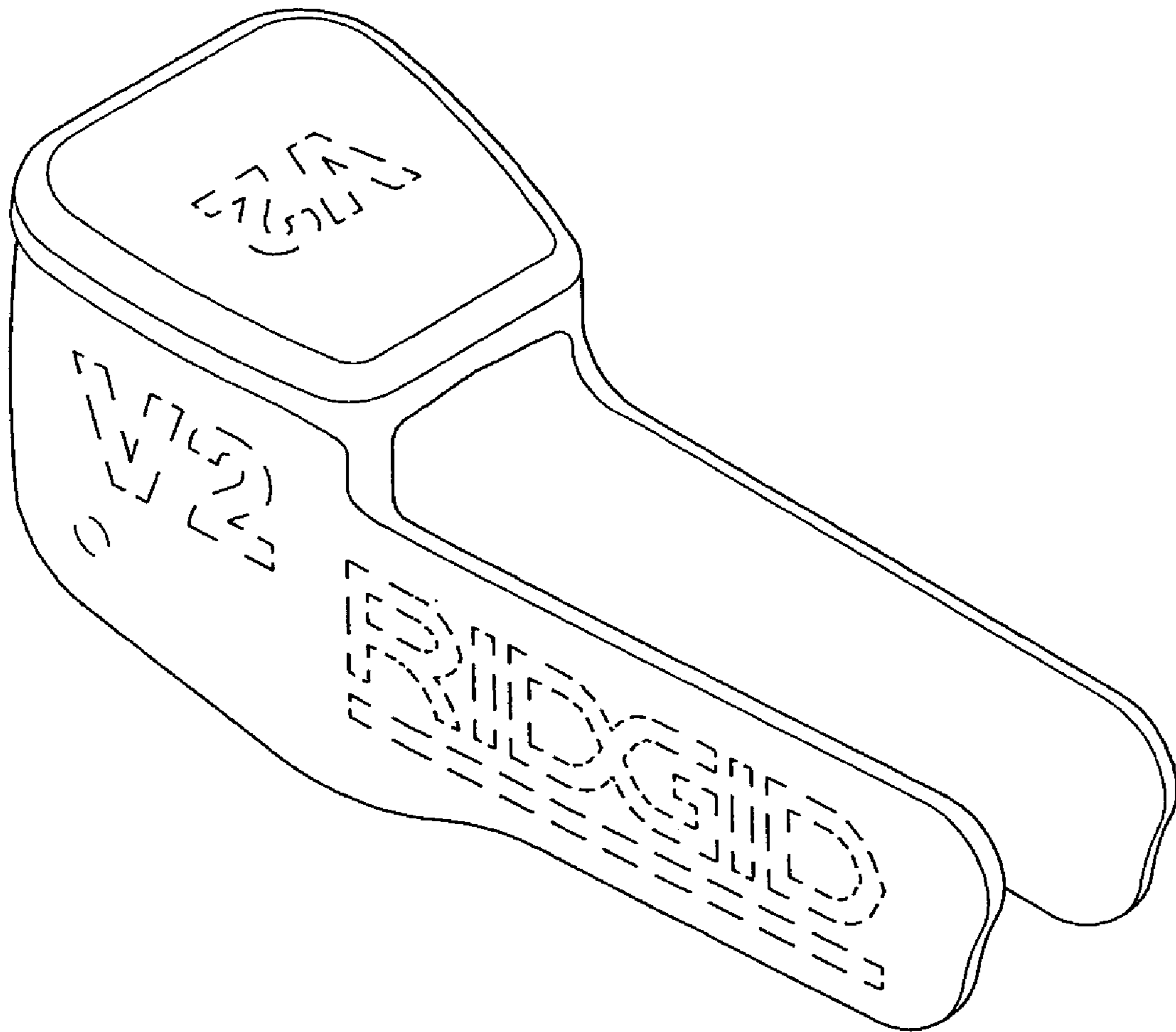
\* cited by examiner



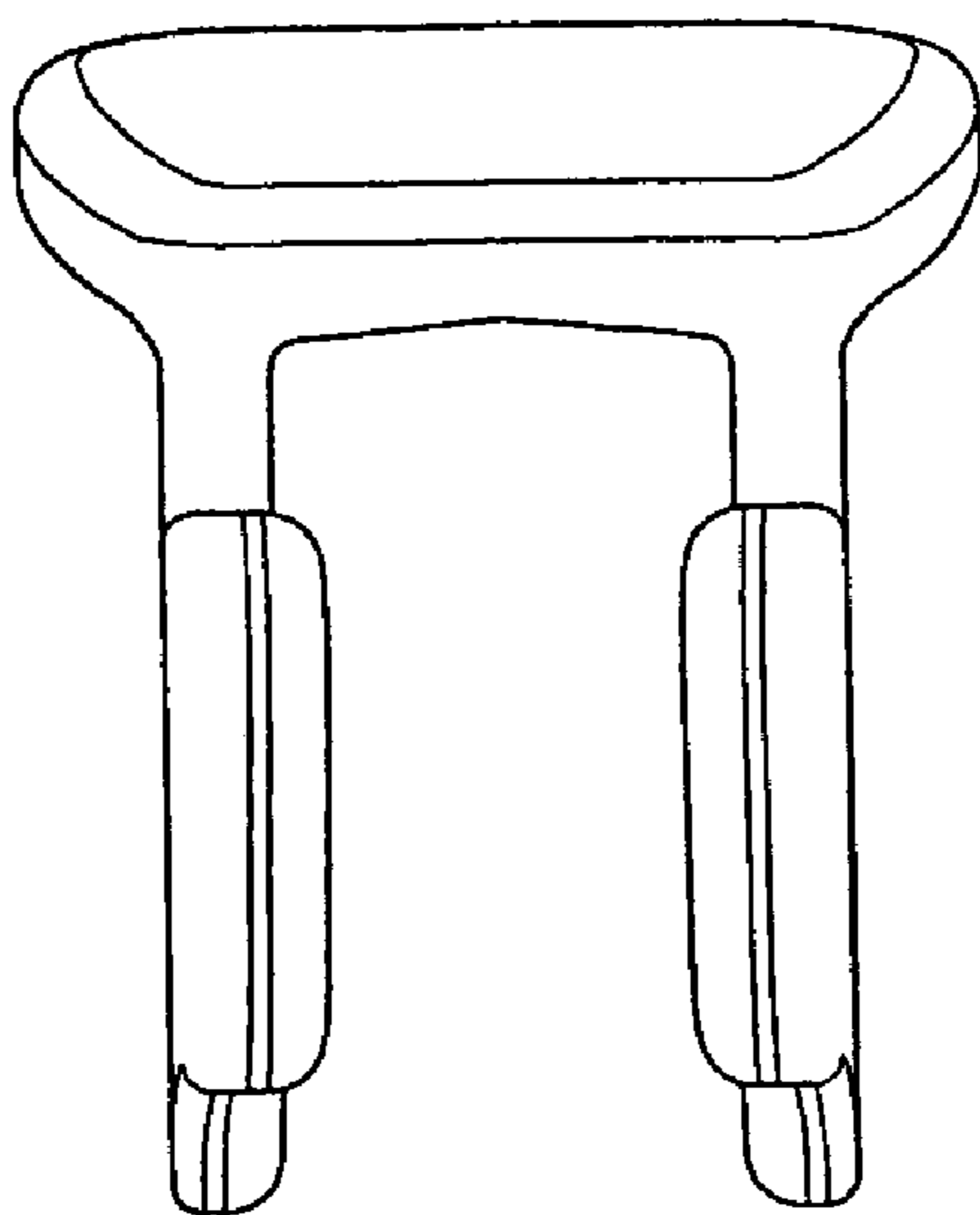
*FIG. 1*



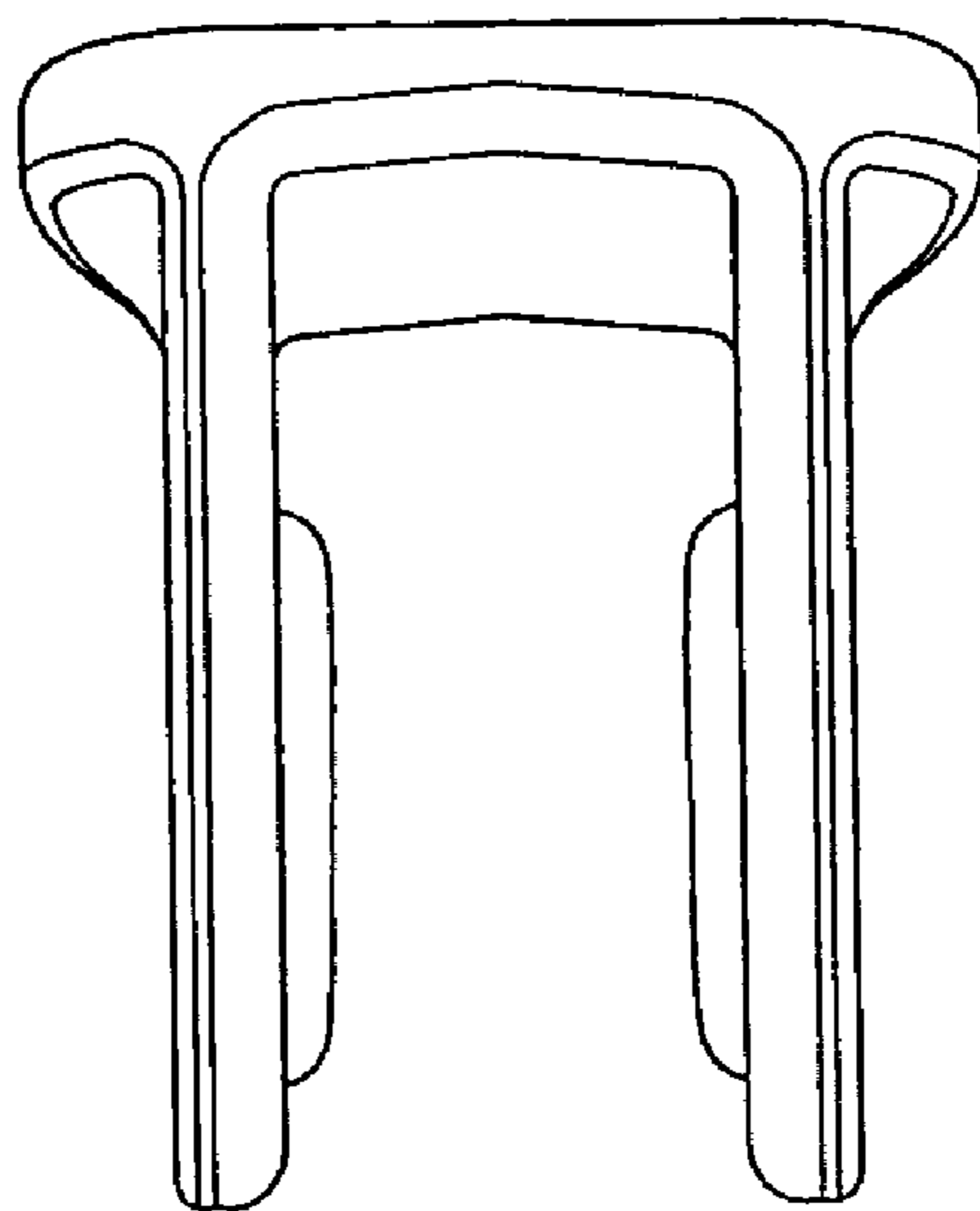
*FIG. 2*



*FIG. 3*



*FIG. 4*



*FIG. 5*

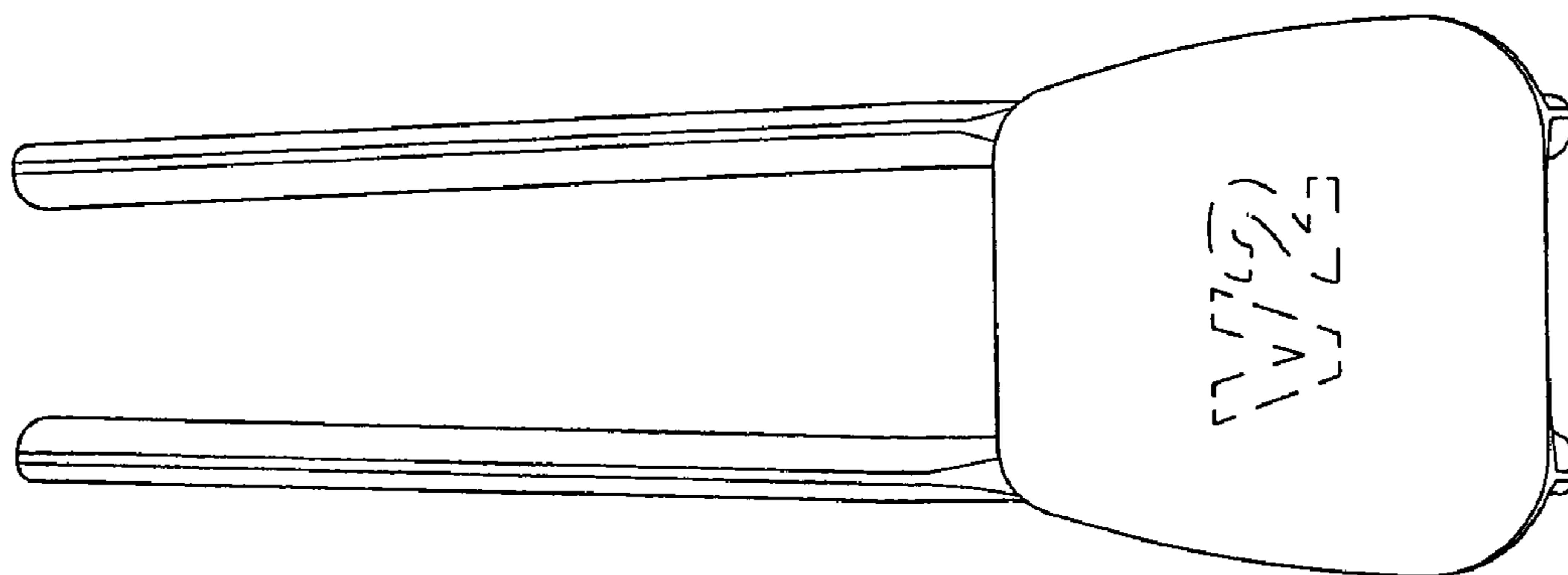


FIG. 6

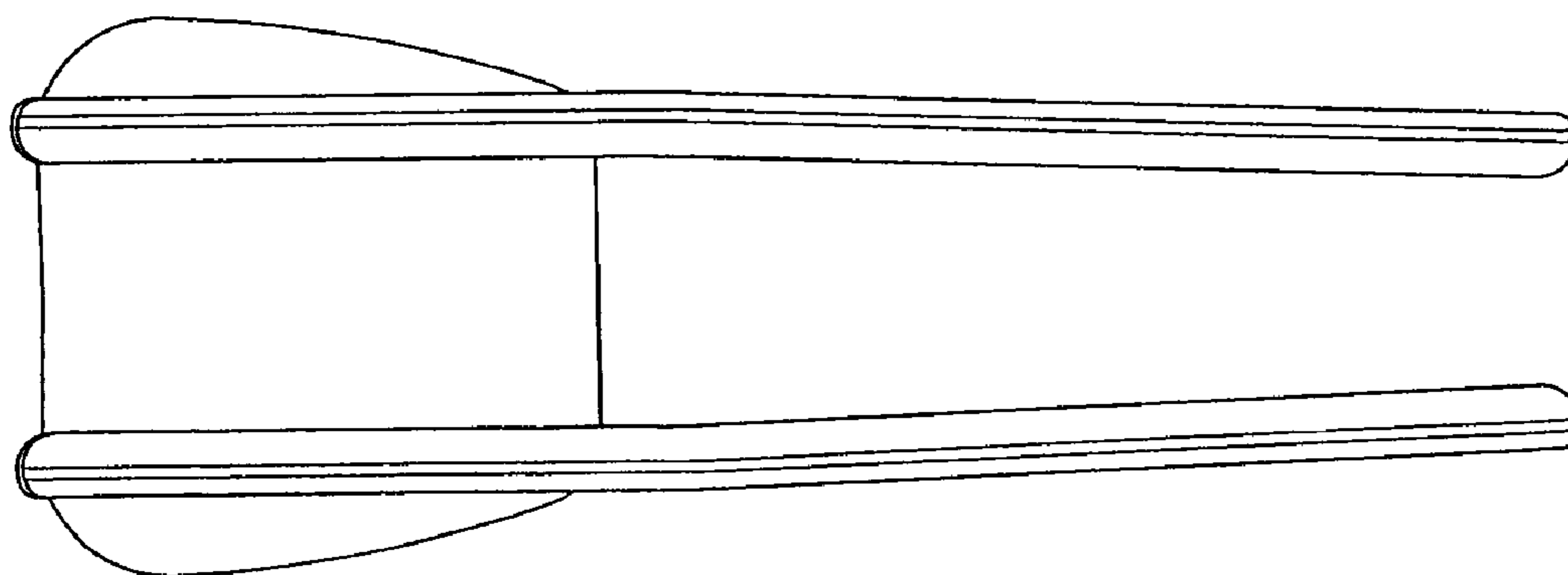


FIG. 7