



US00D562095S

(12) **United States Design Patent**  
**Ivey**

(10) **Patent No.:** **US D562,095 S**

(45) **Date of Patent:** **\*\* Feb. 19, 2008**

(54) **MULTI-TASK OPENER**

(75) Inventor: **Jason Ivey**, Irvine, CA (US)

(73) Assignee: **Evans Manufacturing, Inc.**, Garden Grove, CA (US)

(\*\*) Term: **14 Years**

(21) Appl. No.: **29/250,944**

(22) Filed: **Dec. 6, 2006**

(51) **LOC (8) Cl.** ..... **07-99**

(52) **U.S. Cl.** ..... **D8/40**

(58) **Field of Classification Search** ..... D8/16-19,  
D8/33-43, 88, 105; 7/113, 151-156; 81/3.07,  
81/3.09, 3.27, 3.4, 3.55

See application file for complete search history.

(56) **References Cited**

**U.S. PATENT DOCUMENTS**

D277,635 S *	2/1985	Sherwood	.....	D8/18
D440,135 S *	4/2001	Vaught	.....	D8/40
D458,523 S *	6/2002	Newton, Sr.	.....	D8/17
D488,691 S *	4/2004	Ziems	.....	D8/40
D496,570 S *	9/2004	Wolf	.....	D8/40
D519,010 S *	4/2006	Oas	.....	D8/34

\* cited by examiner

*Primary Examiner*—Caron D. Veynar

*Assistant Examiner*—Garth Rademaker

(74) *Attorney, Agent, or Firm*—Klein, O'Neill & Singh, LLP; James G. O'Neill

(57) **CLAIM**

The ornamental design for a multi-task opener, as shown and described.

**DESCRIPTION**

FIG. 1 is a top and front perspective view of a first embodiment of a multi-task opener of the present invention having a transparent body;

FIG. 2 is a top plan view of FIG. 1;

FIG. 3 is a bottom plan view of FIG. 1;

FIG. 4 is a front elevational view of FIG. 1;

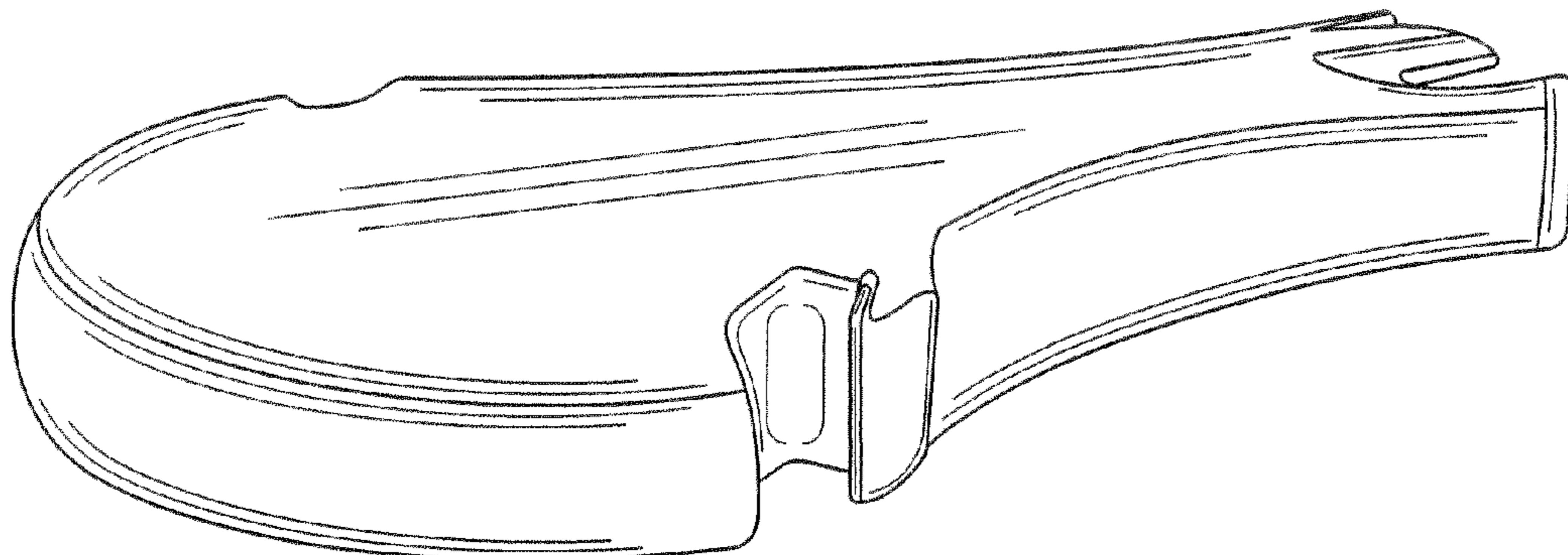
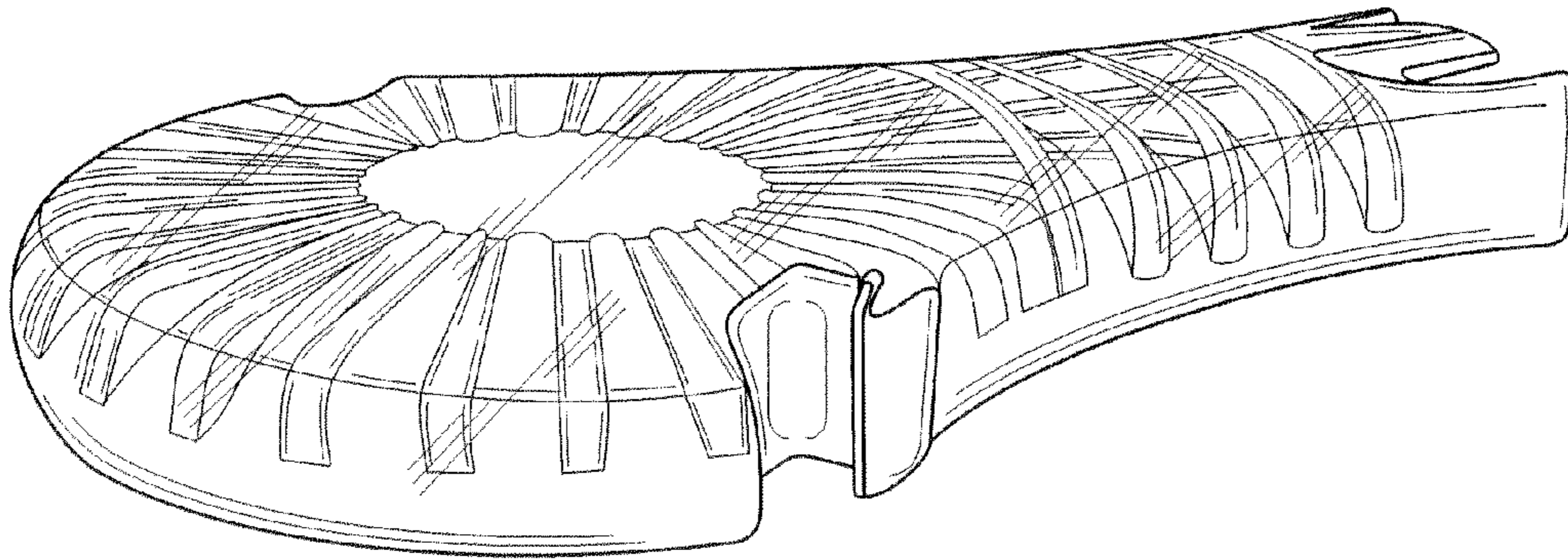
FIG. 5 is a rear elevational view of FIG. 1;

FIG. 6 is a left side view of FIG. 1;

FIG. 7 is a right side view of FIG. 1; and,

FIG. 8 is a top and front perspective view of a second embodiment of a multi-task opener of the present invention, the sole difference being that the body is opaque.

**1 Claim, 6 Drawing Sheets**



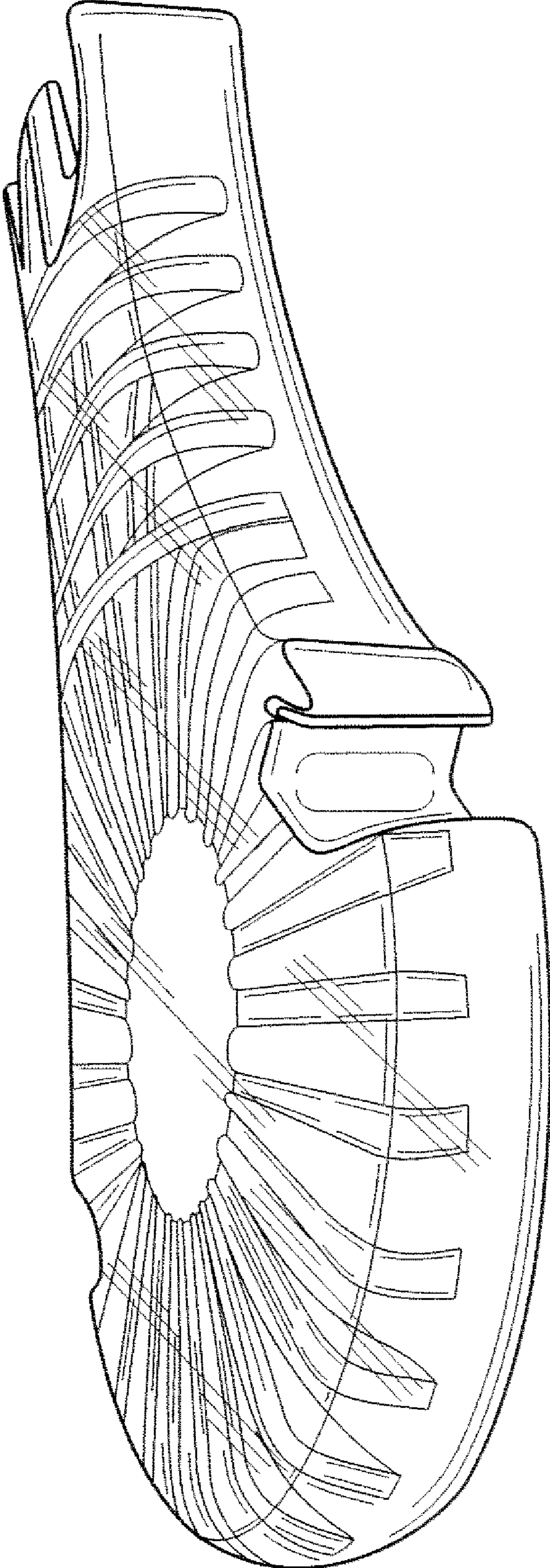


FIG. 1

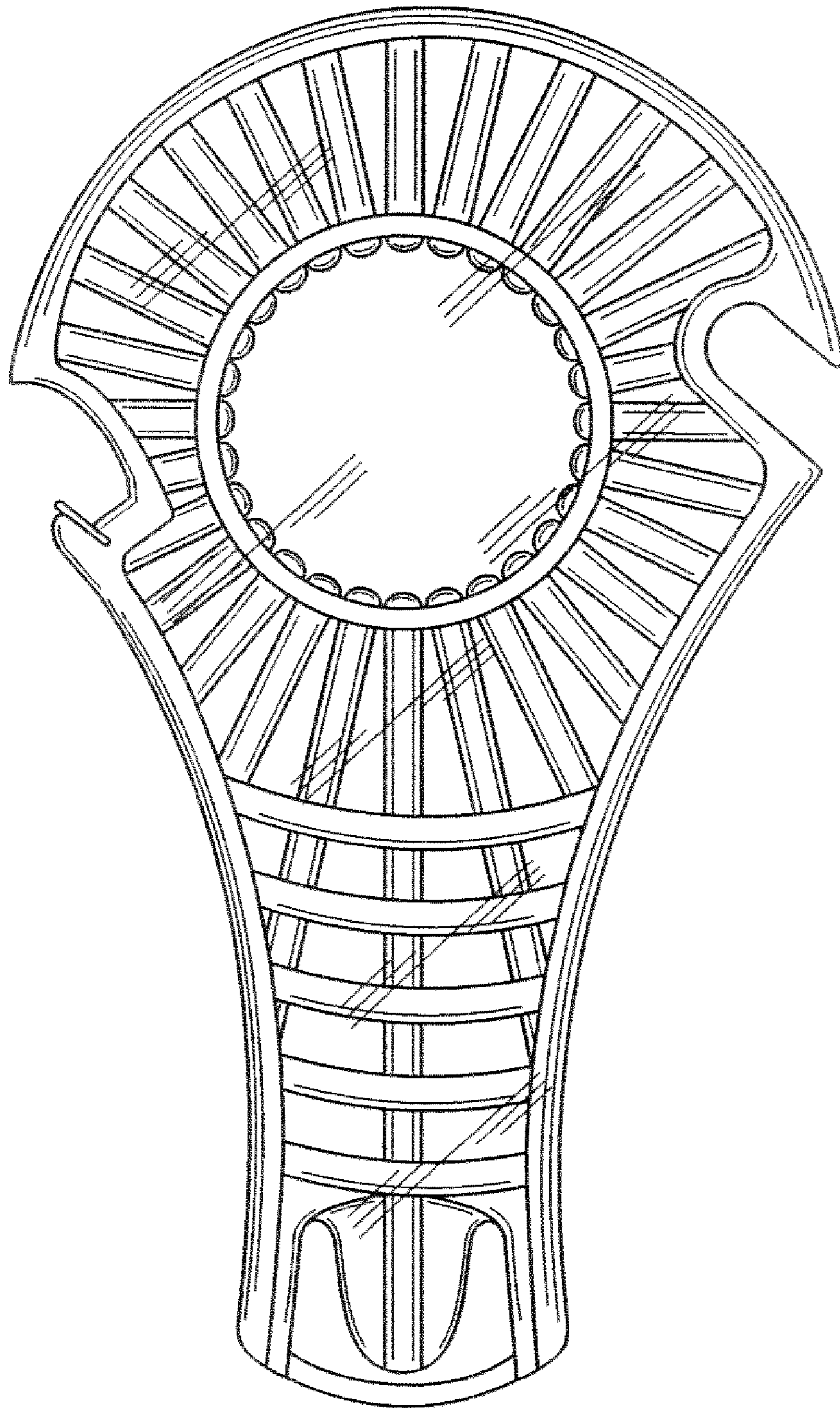


FIG. 2

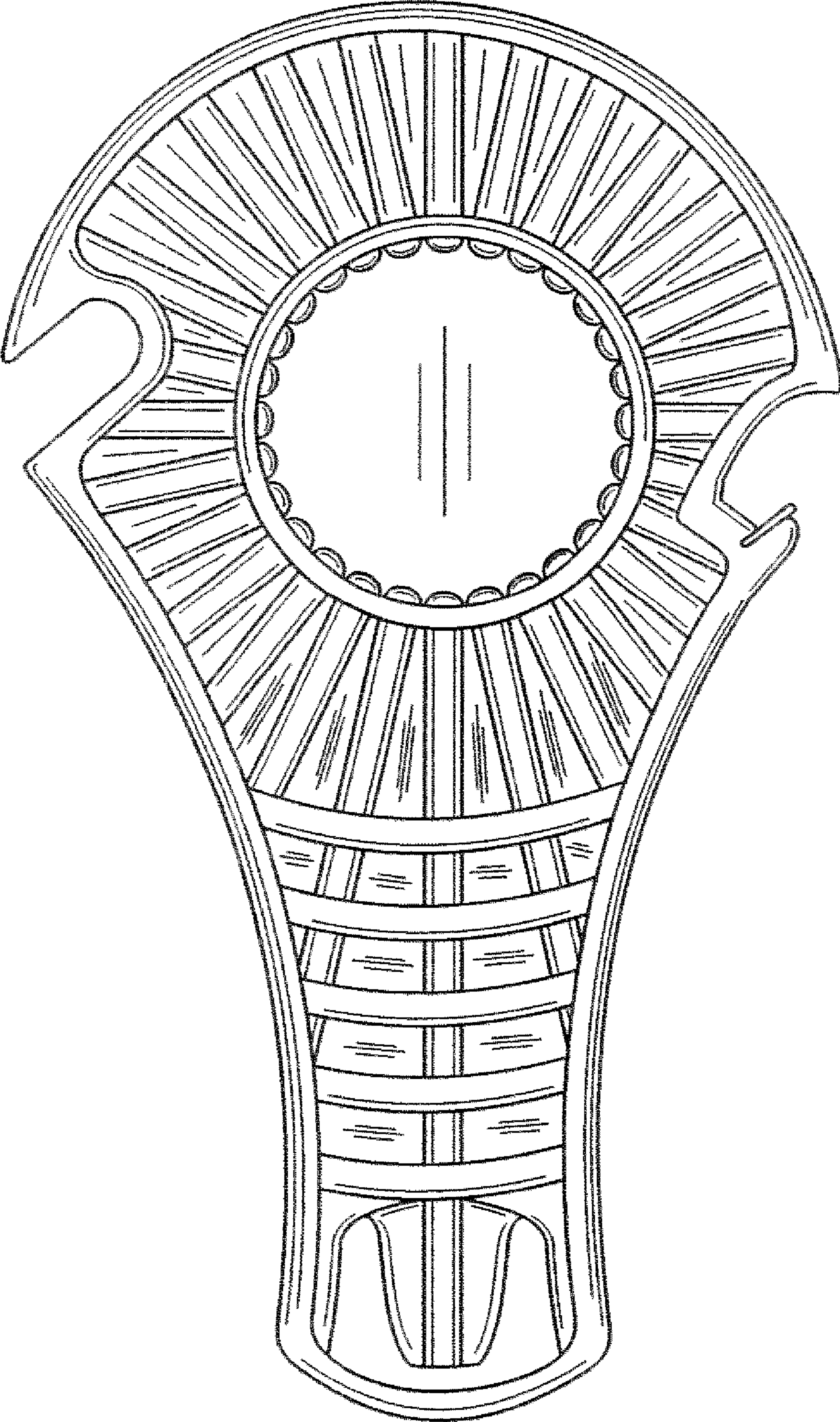


FIG. 3

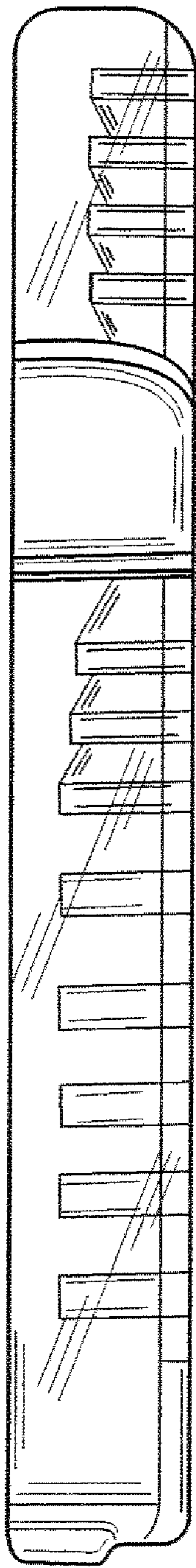


FIG. 4

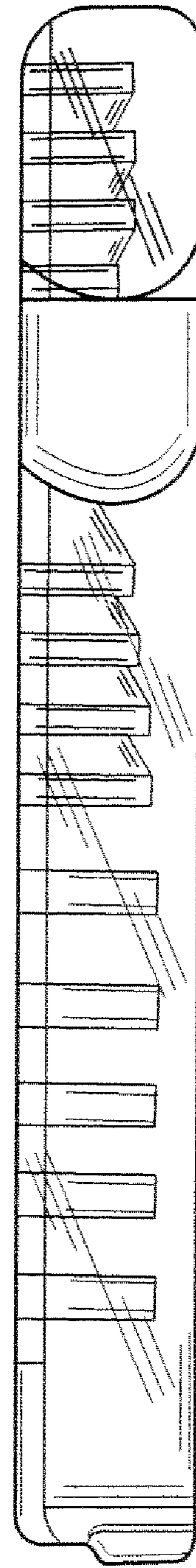


FIG. 5

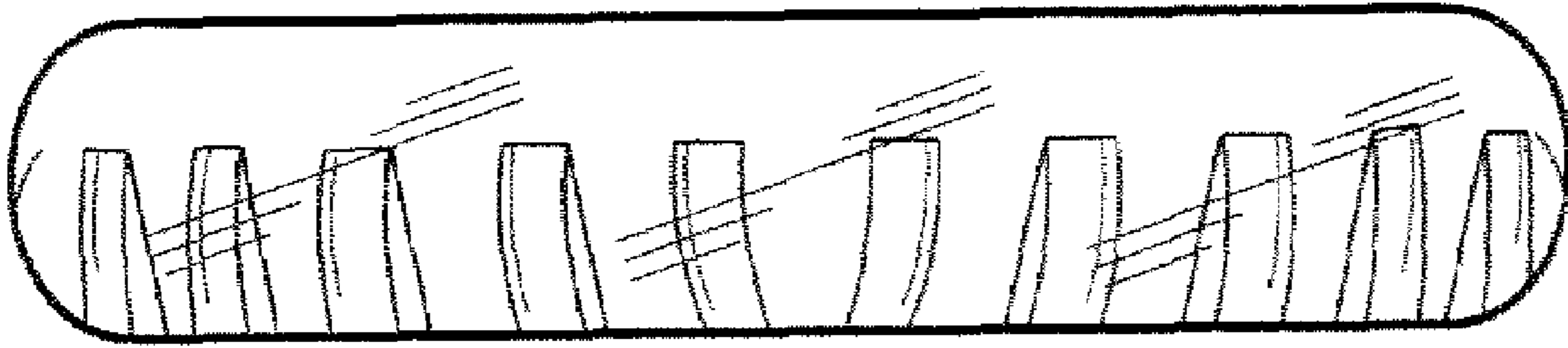


FIG. 6

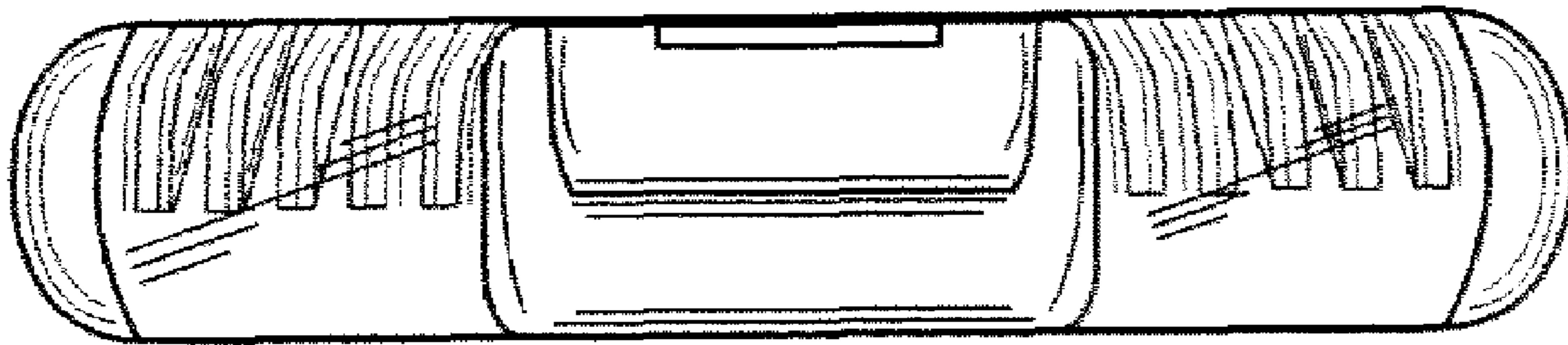


FIG. 7

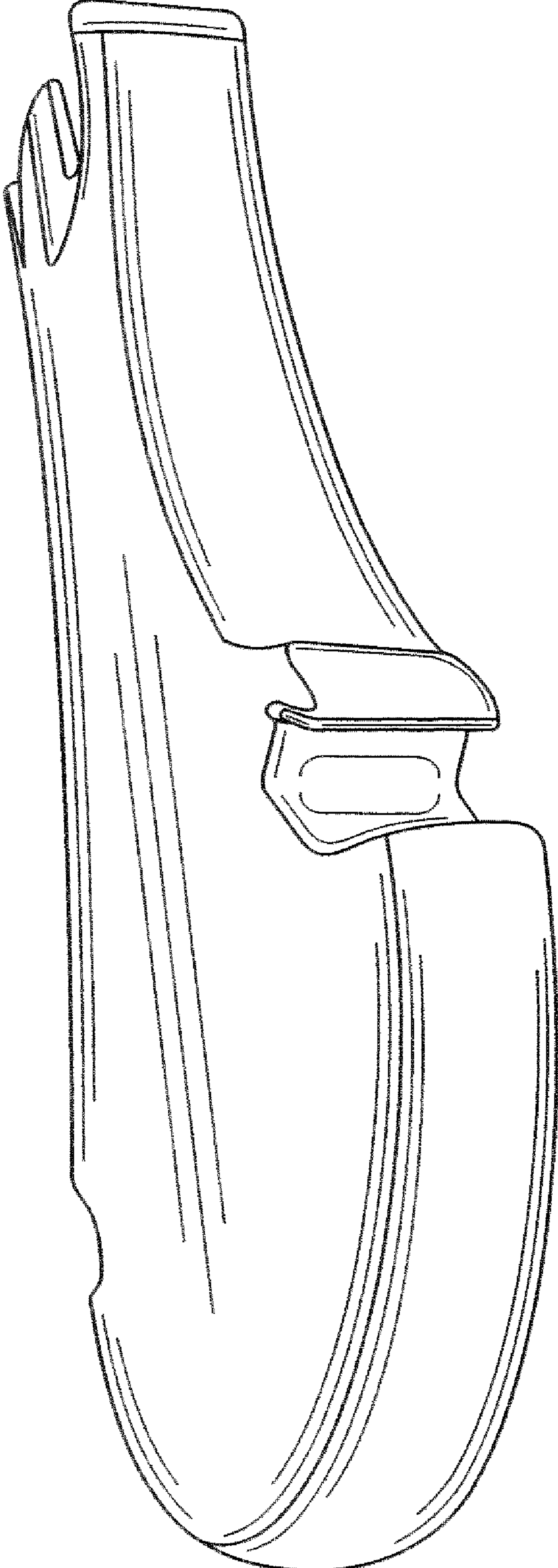


FIG. 8