



US00D562092S

(12) **United States Design Patent**  
**Roberson et al.**

(10) **Patent No.:** **US D562,092 S**

(45) **Date of Patent:** **\*\* Feb. 19, 2008**

(54) **CULTIVATING GARDEN HOE**

D376,966 S \* 12/1996 Bartlett et al. .... D8/11  
D431,762 S \* 10/2000 Sorensen ..... D8/11  
D496,841 S \* 10/2004 Baynard ..... D8/11

(75) Inventors: **Le-Trinh M. Roberson**, 3627 Agnes St., Houston, TX (US) 77087; **Hanh Mai Hernandez**, Houston, TX (US)

\* cited by examiner

(73) Assignee: **Le-Trinh M. Roberson**, Houston, TX (US)

*Primary Examiner*—Holly H. Baynham  
*Assistant Examiner*—Sheryl Friedman

(\*\*) Term: **14 Years**

(57) **CLAIM**

(21) Appl. No.: **29/253,532**

We claim the ornamental design for cultivating garden hoe, as shown and described.

(22) Filed: **Feb. 8, 2006**

**DESCRIPTION**

(51) **LOC (8) Cl.** ..... **08-01**

FIG. 1 is a perspective view of cultivating garden hoe showing our new design;

(52) **U.S. Cl.** ..... **D8/11**

FIG. 2 is the front elevational view thereof;

(58) **Field of Classification Search** ..... D8/1,  
D8/10, 11, 14; 294/54.5; 56/400.01  
See application file for complete search history.

FIG. 3 is the side view thereof, the opposing side being identical thereto;

(56) **References Cited**

FIG. 4 is the back elevational view thereof;

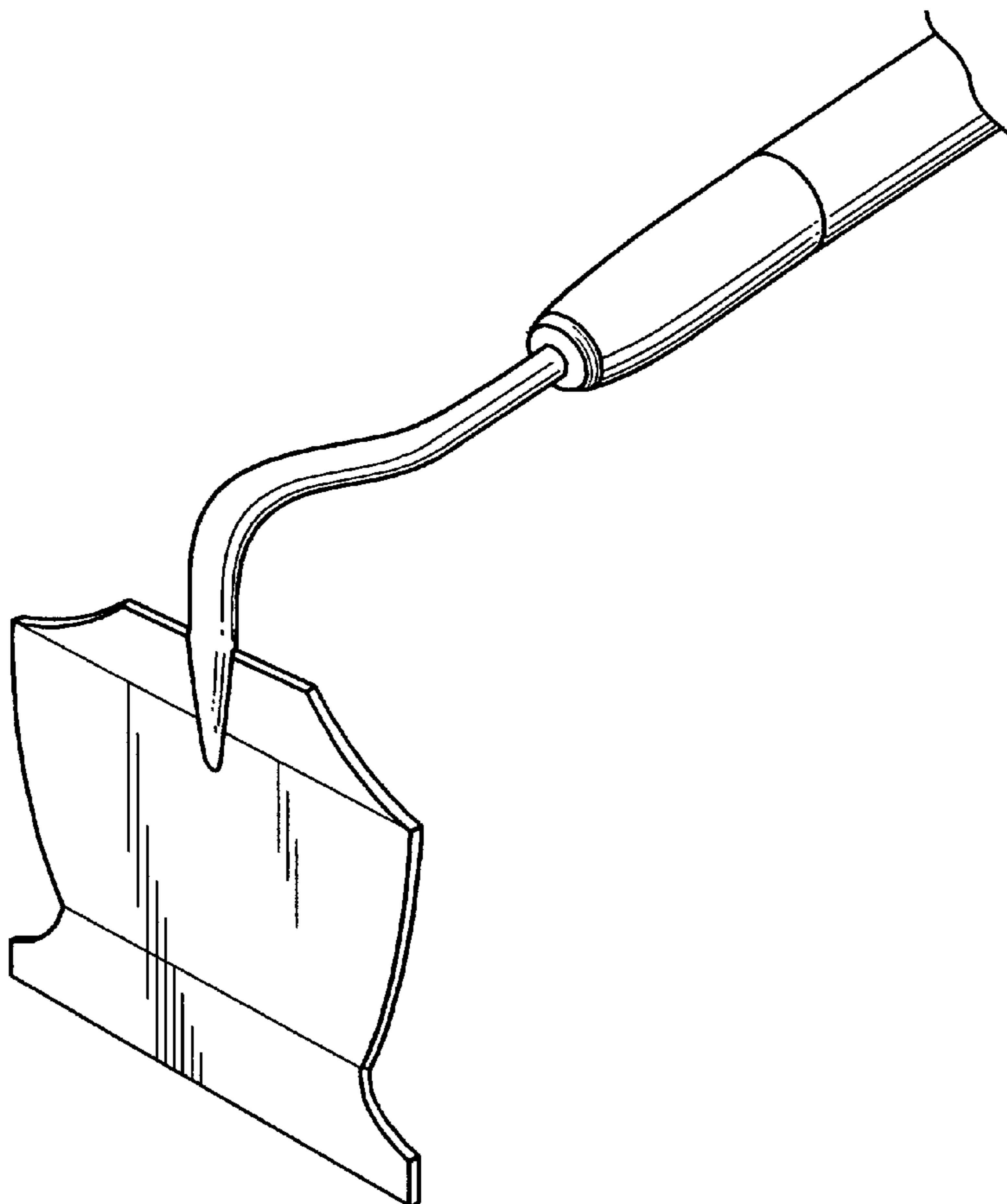
**U.S. PATENT DOCUMENTS**

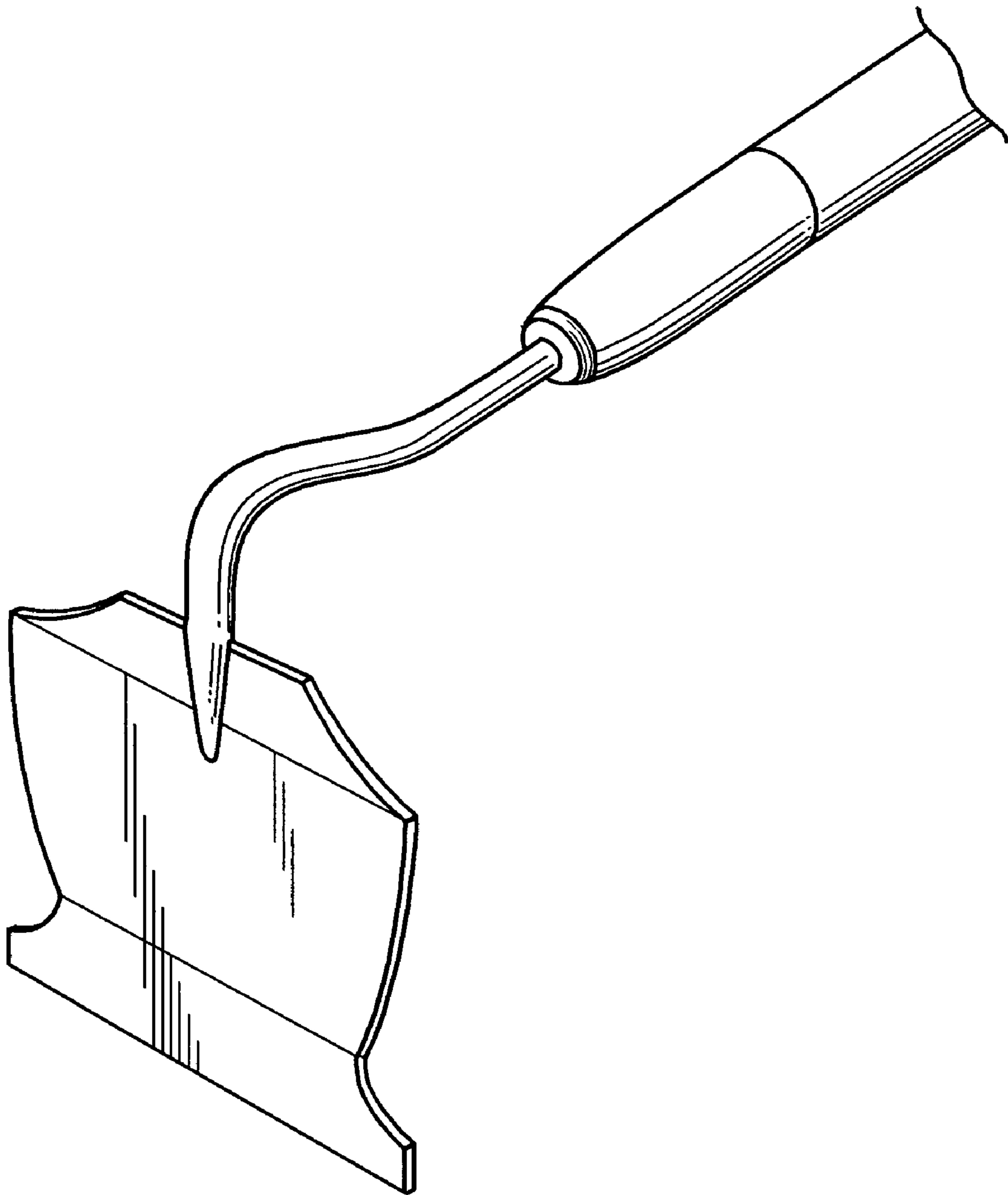
FIG. 5 is the top plan view thereof; and,

D20,188 S \* 10/1890 McDonough ..... D8/11  
D191,275 S \* 9/1961 Ales ..... D8/11  
D349,835 S \* 8/1994 Brinson ..... D8/11

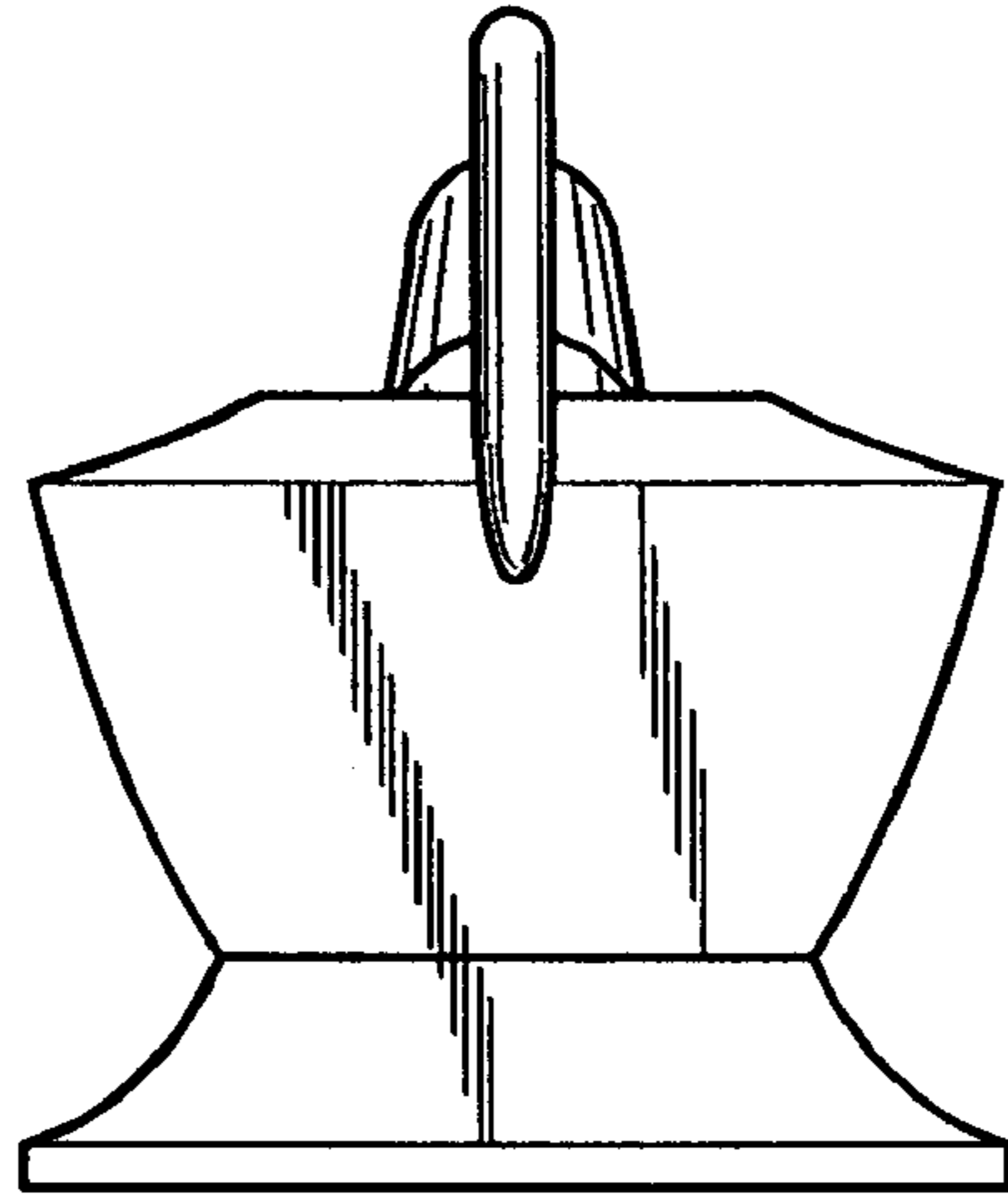
FIG. 6 is the bottom view thereof.

**1 Claim, 3 Drawing Sheets**

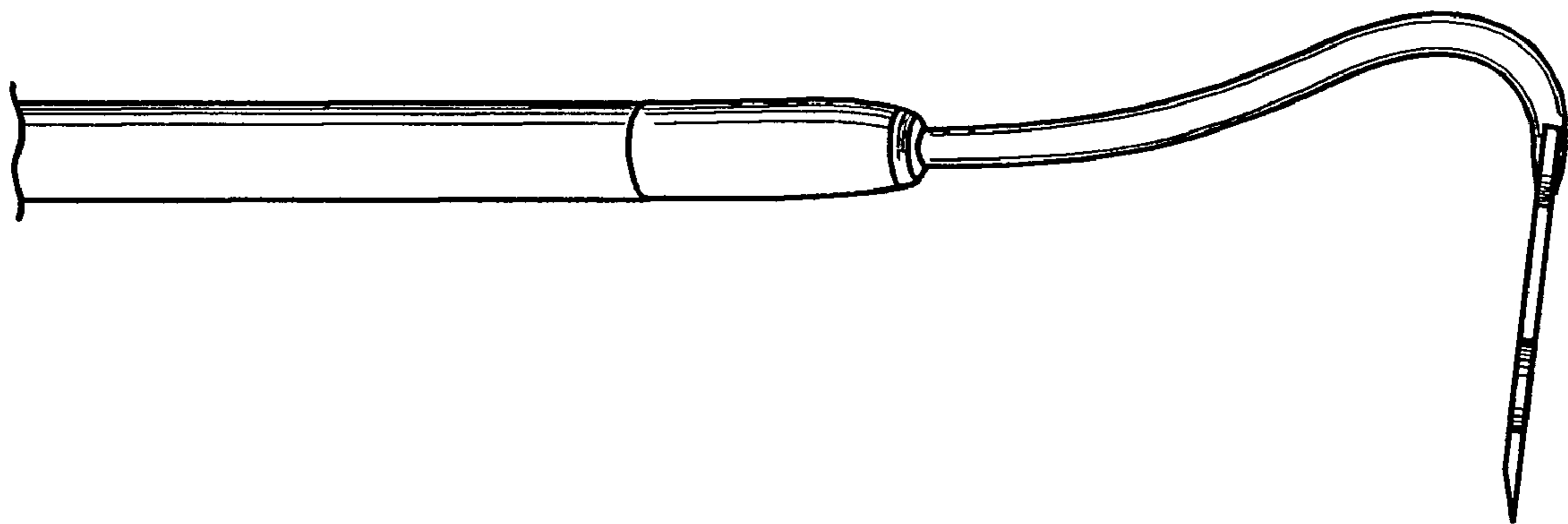




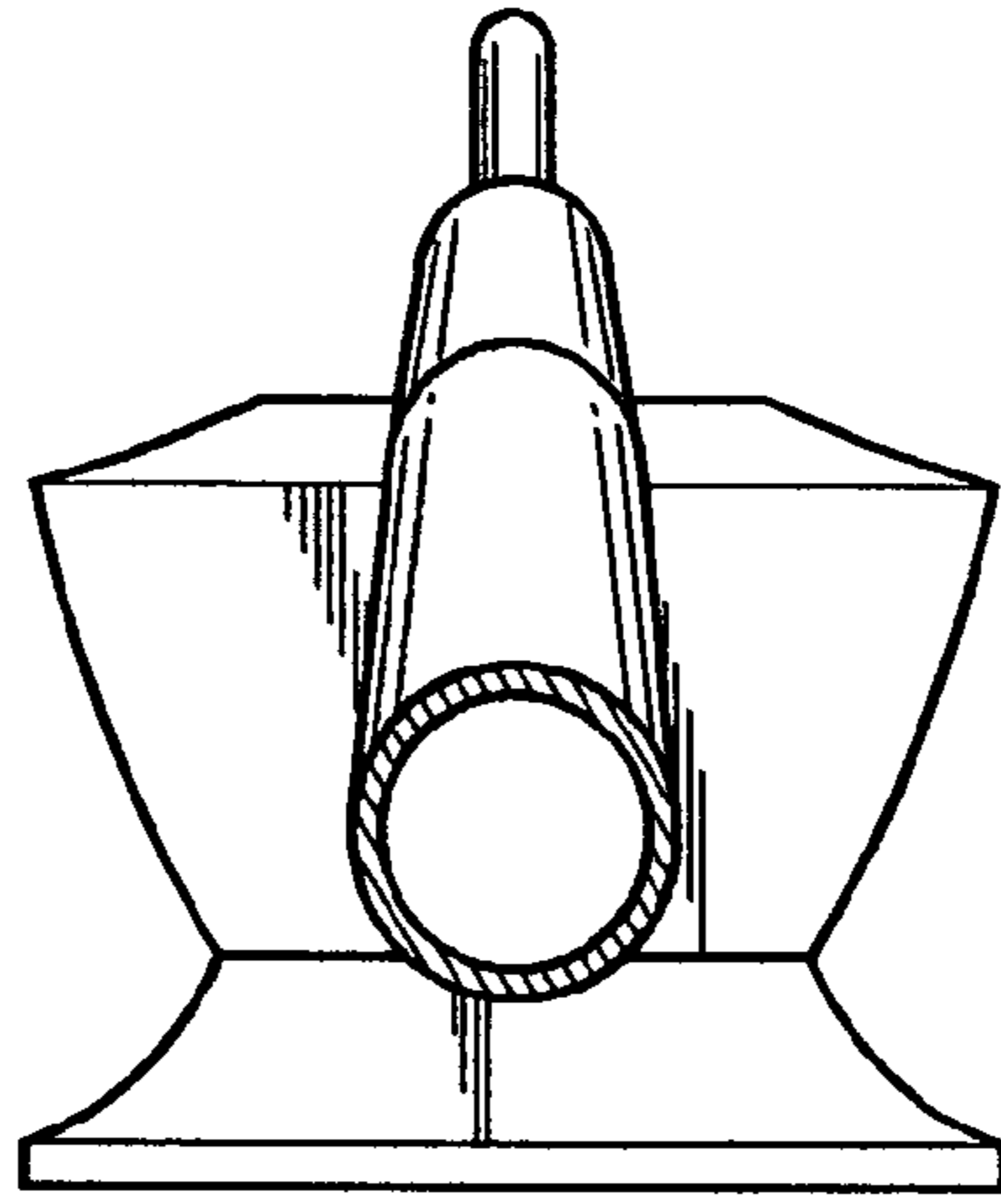
**Fig. 1**



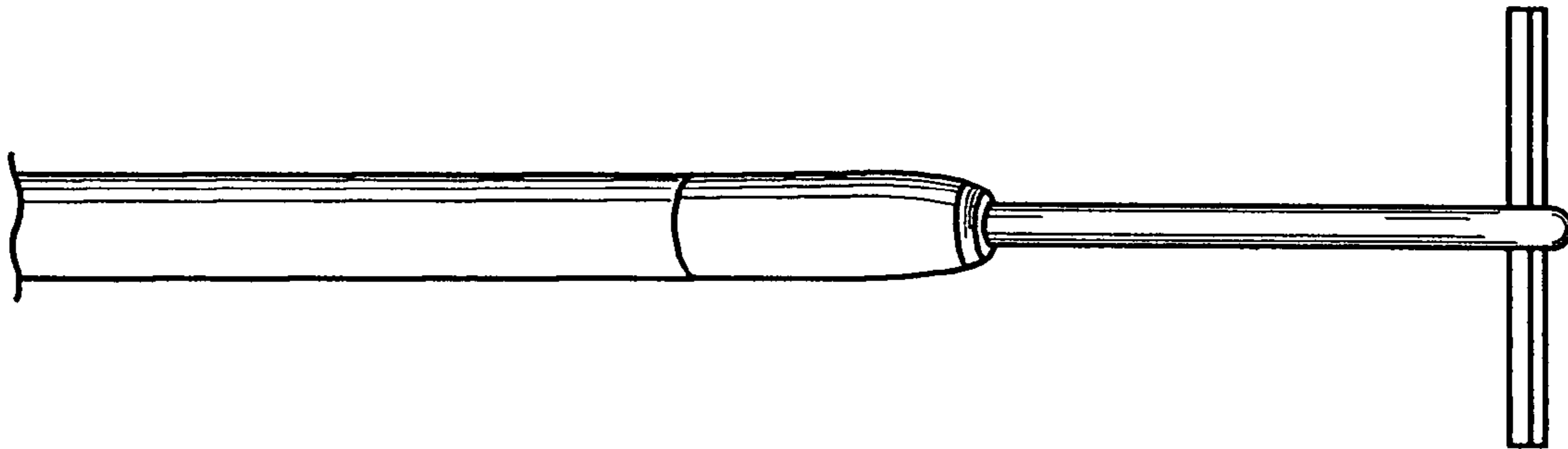
**Fig. 2**



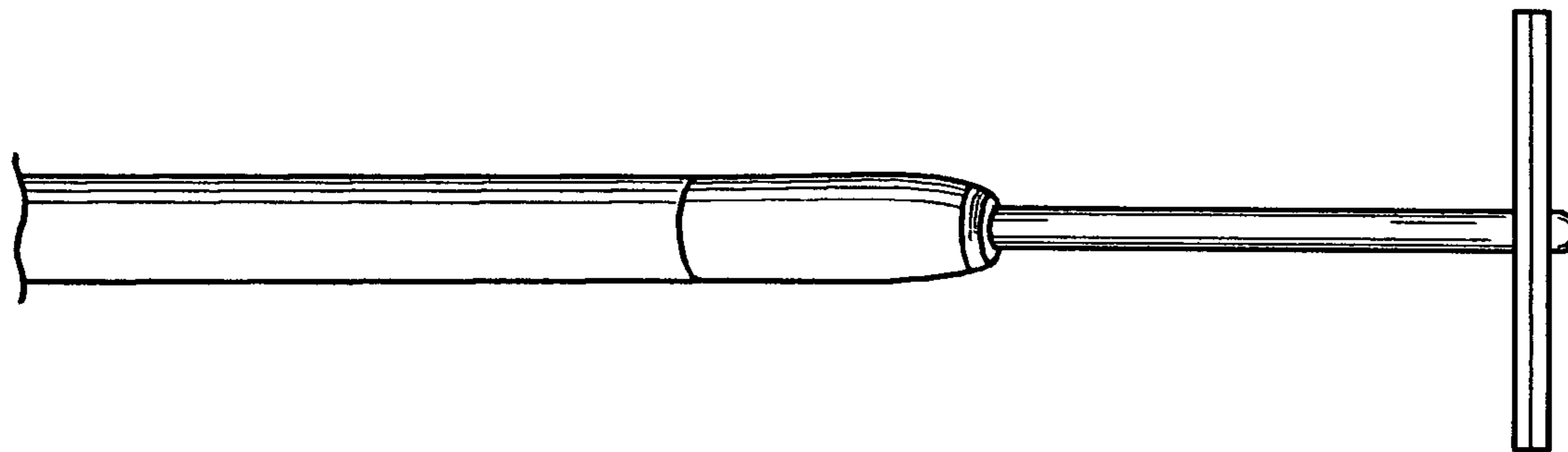
**Fig. 3**



**Fig. 4**



**Fig. 5**



**Fig. 6**