



US00D562088S

(12) **United States Design Patent**  
**Kalogroulis**

(10) **Patent No.:** **US D562,088 S**

(45) **Date of Patent:** **\*\* Feb. 19, 2008**

(54) **NUT CRACKER DESIGN**

3,578,047 A \* 5/1971 Diggs ..... 99/572  
6,052,906 A \* 4/2000 Weibel ..... 30/120.3

(75) Inventor: **Alexander Joseph Kalogroulis**,  
Coulsdon (GB)

\* cited by examiner

(73) Assignee: **Daka Research Inc.**, Tortolla (VG)

*Primary Examiner*—Terry A Wallace  
(74) *Attorney, Agent, or Firm*—Curtis L. Harrington; Kathy  
E. Harrington; Harrington & Harrington

(\*\*) Term: **14 Years**

(21) Appl. No.: **29/285,504**

(57) **CLAIM**

(22) Filed: **Mar. 30, 2007**

The ornamental design for an nut cracker design, as shown  
and described.

(51) **LOC (8) Cl.** ..... **07-06**

(52) **U.S. Cl.** ..... **D7/680**

(58) **Field of Classification Search** ..... D7/680;  
30/120.1–120.5; 99/568–582

See application file for complete search history.

**DESCRIPTION**

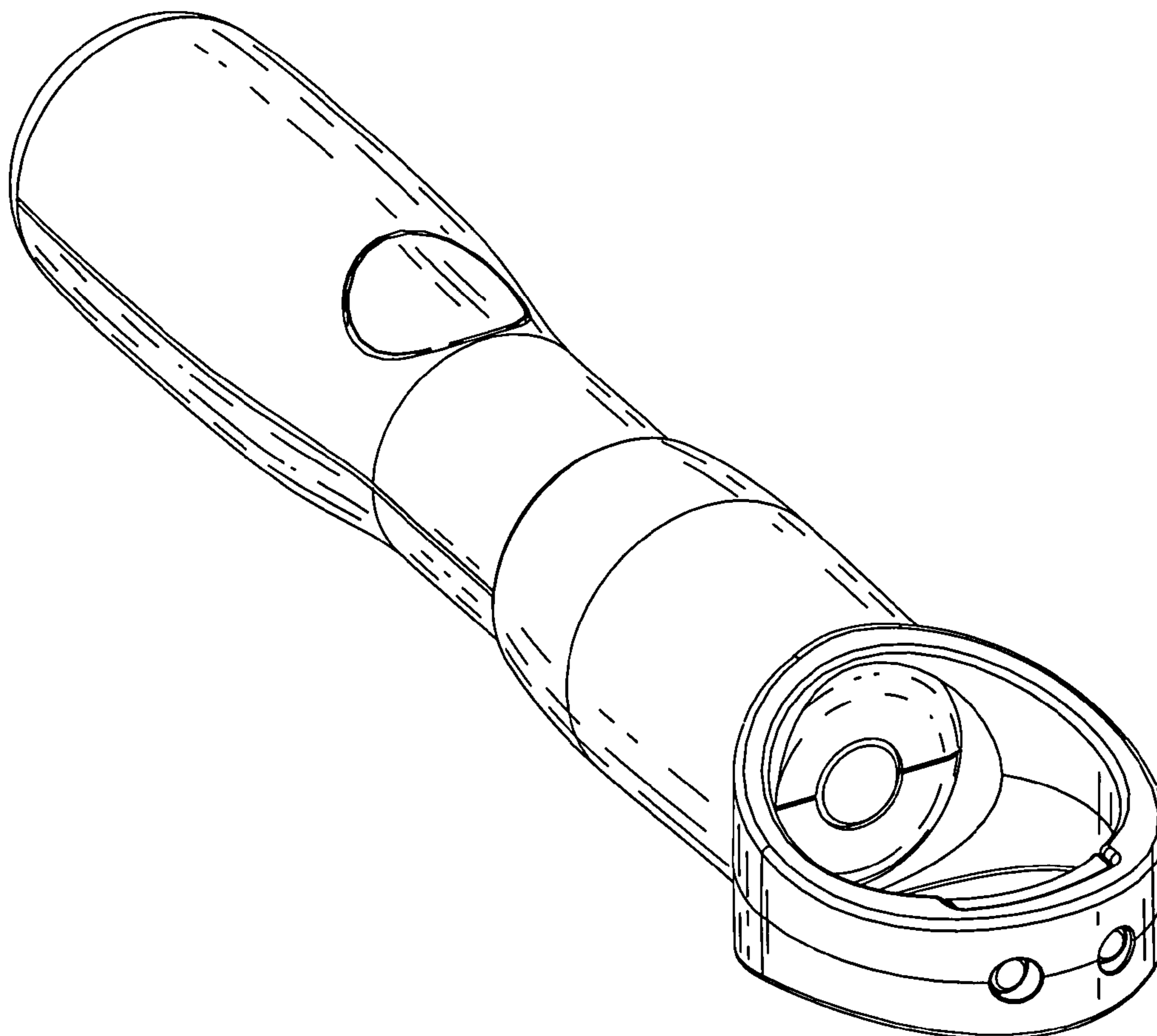
FIG. 1 is a perspective view of the nut cracker design;  
FIG. 2 is a front end view;  
FIG. 3 is a rear end view;  
FIG. 4 is a left side view;  
FIG. 5 is a top view;  
FIG. 6 is a right side view; and,  
FIG. 7 is a bottom view.

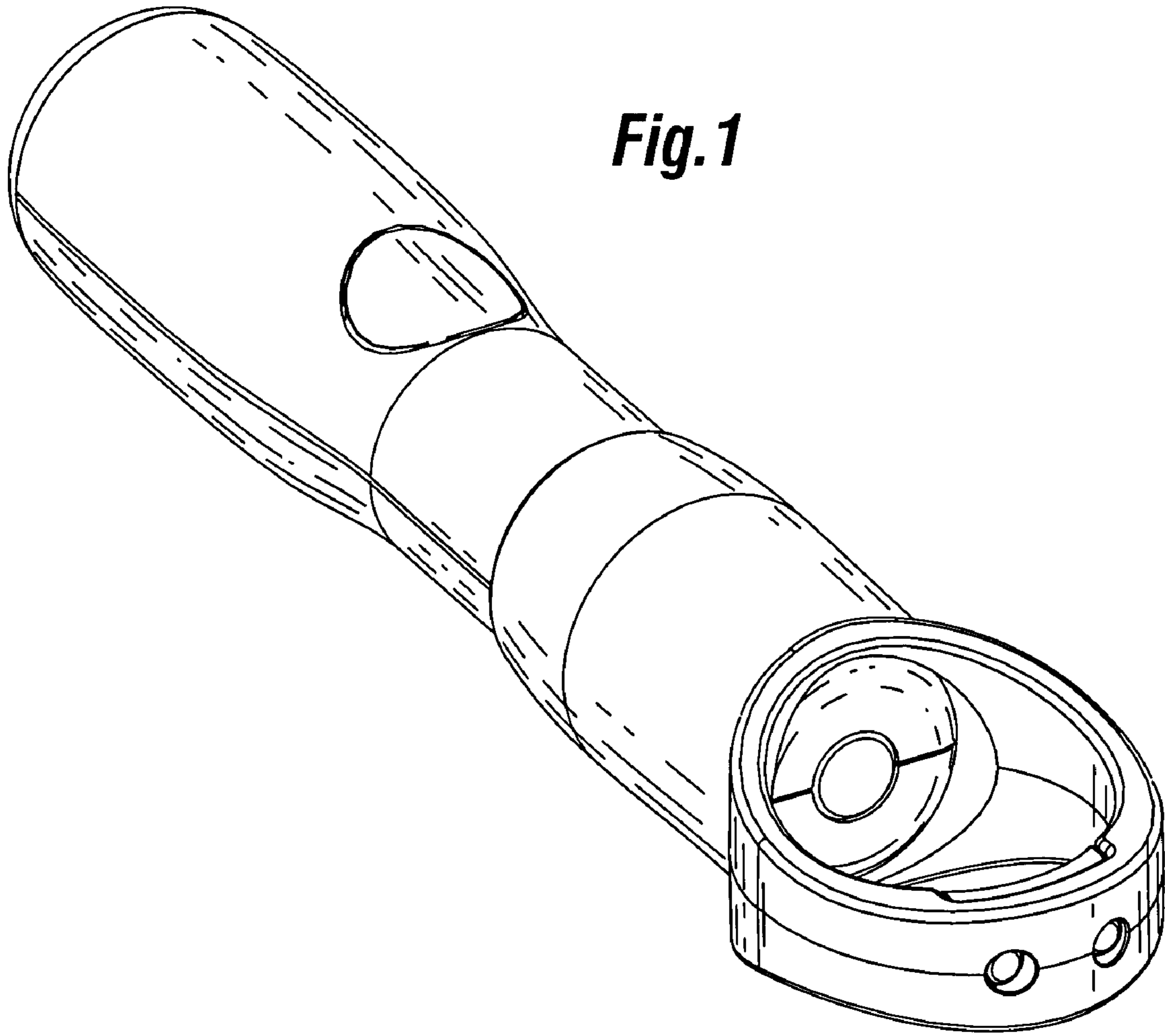
(56) **References Cited**

**U.S. PATENT DOCUMENTS**

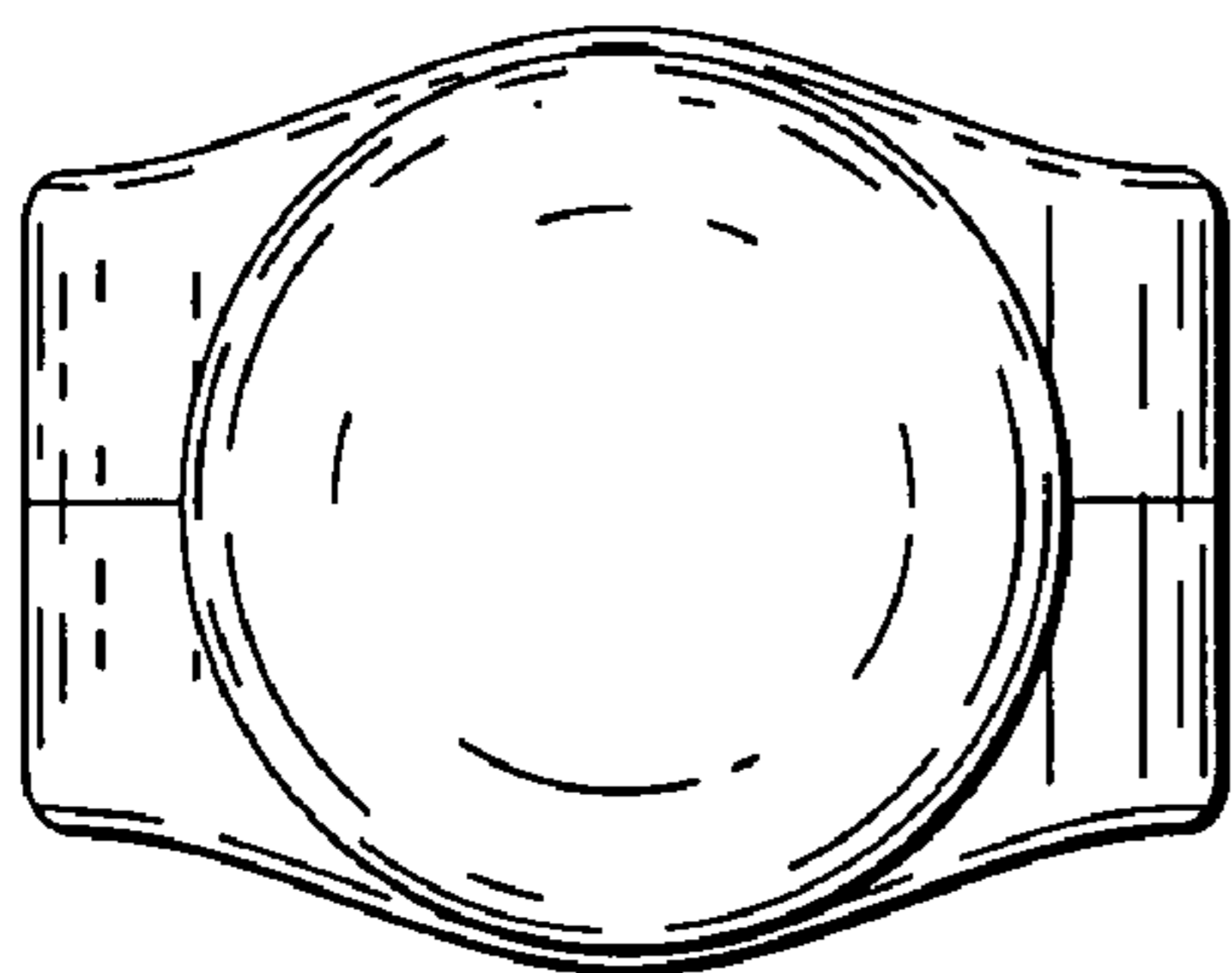
2,590,953 A \* 4/1952 Gendler ..... 30/120.2  
3,148,718 A \* 9/1964 Plott ..... 30/120.3  
3,223,133 A \* 12/1965 Brookey ..... 30/120.5  
3,338,281 A \* 8/1967 Davy ..... 30/120.4

**1 Claim, 3 Drawing Sheets**

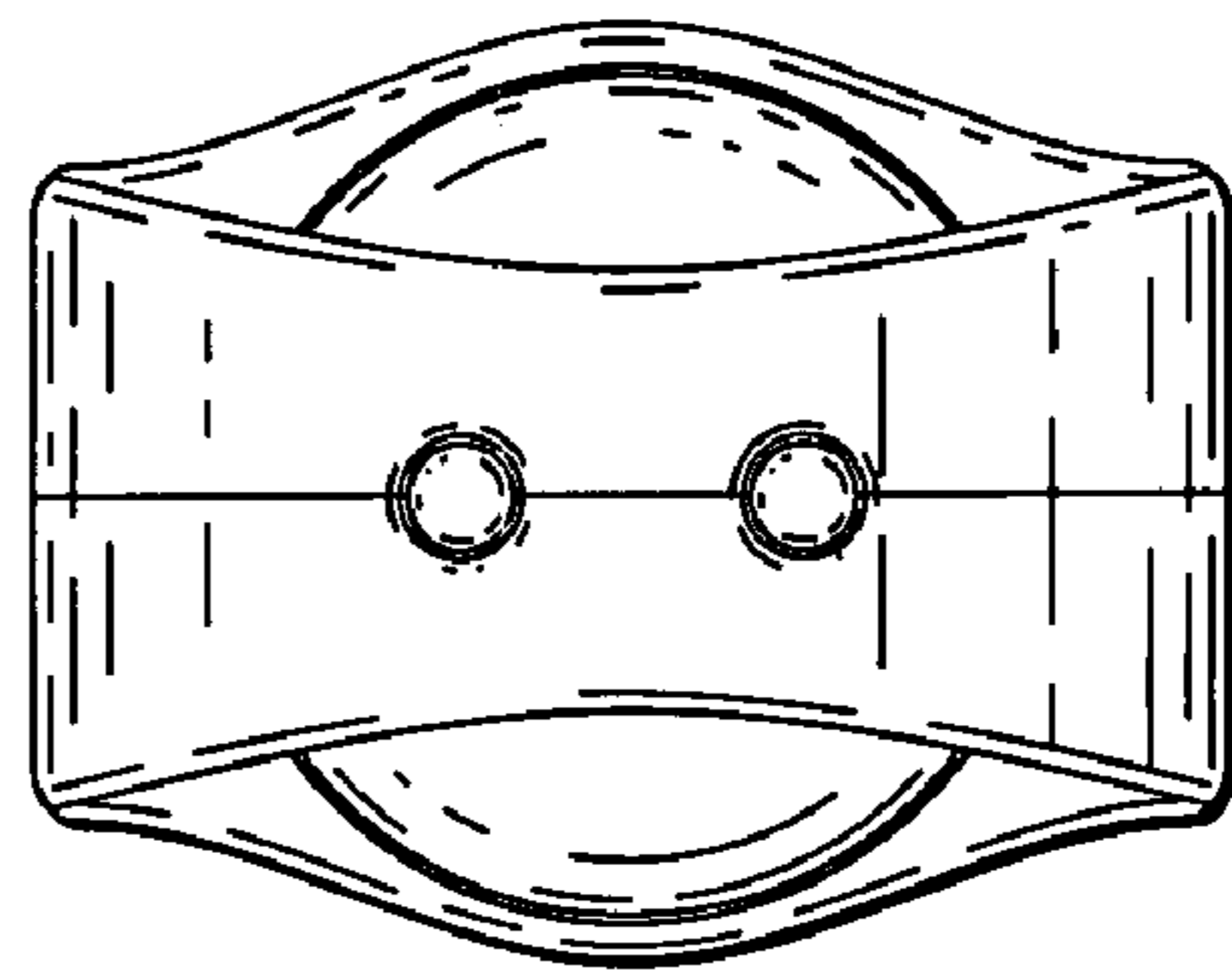




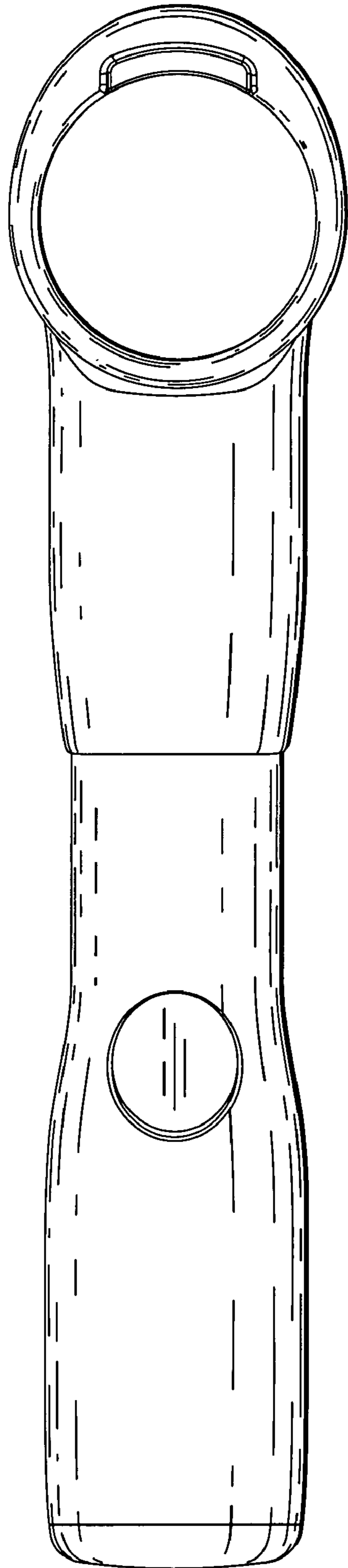
**Fig. 2**



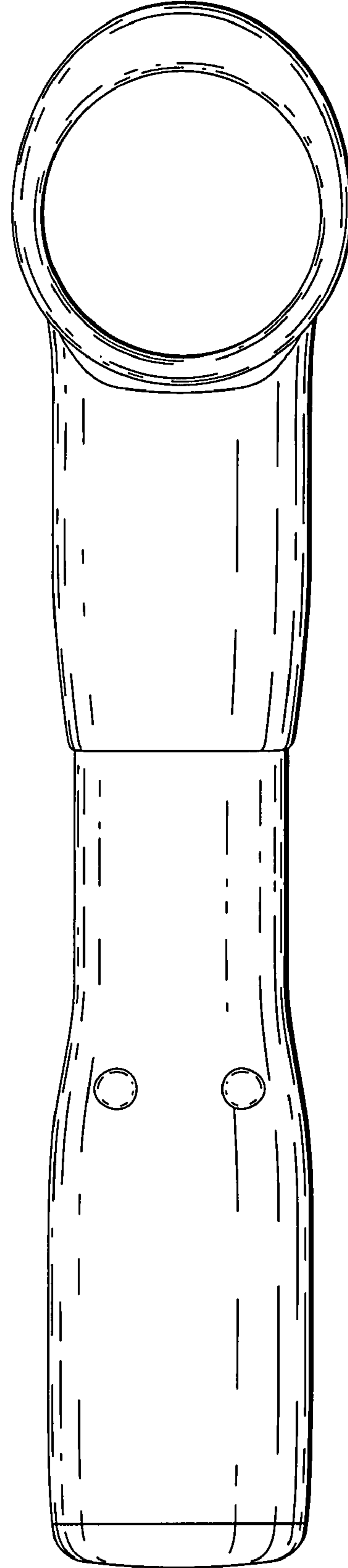
**Fig. 3**



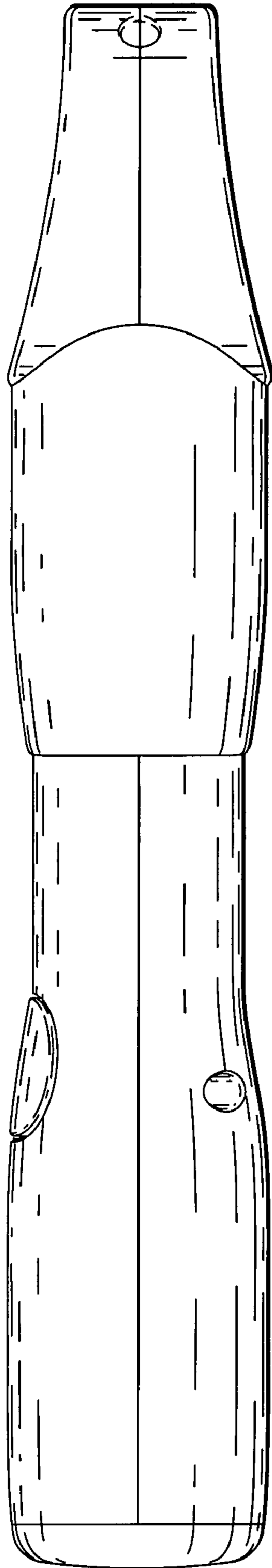
*Fig.4*



*Fig.5*



*Fig. 6*



*Fig. 7*

