



US00D562083S

(12) **United States Design Patent** (10) **Patent No.:** **US D562,083 S**
Lown et al. (45) **Date of Patent:** **** Feb. 19, 2008**

(54) **COMBINED AIRTIGHT LID AND CONTAINER**

(75) Inventors: **John M. Lown**, Huntington Beach, CA (US); **Ralph R. Hickman**, Orlando, FL (US); **Joie L. Puckett**, Long Beach, CA (US); **Richard K. Jung**, Laguna Niguel, CA (US)

(73) Assignee: **Snapware Corporation**, Mira Loma, CA (US)

(**) Term: **14 Years**

(21) Appl. No.: **29/254,218**

(22) Filed: **Feb. 17, 2006**

(51) **LOC (8) Cl.** **07-01**

(52) **U.S. Cl.** **D7/629**

(58) **Field of Classification Search** D7/601, D7/602, 629, 538-542; D3/272-274, 302, D3/201, 203, 205, 206; D9/420, 423, 424, D9/425, 430-432; 220/324, 326, 780-799, 220/574, 574.1

See application file for complete search history.

(56) **References Cited**

U.S. PATENT DOCUMENTS

D282,808 S *	3/1986	Daenen et al.	D7/602
4,976,370 A *	12/1990	Cassel	220/792
D452,374 S *	12/2001	Kim	D3/302
D455,321 S *	4/2002	Jung et al.	D7/629
D481,910 S *	11/2003	Kim	D7/629
D483,622 S *	12/2003	Kim	D7/629
D484,367 S *	12/2003	Kim	D7/629
D490,277 S *	5/2004	Kim	D7/629
D493,073 S *	7/2004	Kim	D7/629
6,793,096 B1	9/2004	Seok	
D500,227 S	12/2004	Seok	
2004/0084464 A1	5/2004	Koo	
2004/0099669 A1	5/2004	Lown et al.	
2005/0035125 A1	2/2005	Bae	

OTHER PUBLICATIONS

Digital photographs of two containers sold under the Lock & Lock name.

Digital photographs of two containers marketed under the Biokips and Xeonic names.

* cited by examiner

Primary Examiner—Terry A Wallace

(74) *Attorney, Agent, or Firm*—Harold L. Jackson

(57) **CLAIM**

The ornamental design for a combined airtight lid and container, as shown and described.

DESCRIPTION

FIG. 1 is a perspective view of the combined airtight lid and container for storing food and other items in accordance with the present invention;

FIG. 2 is a top plan view of the lid/container of FIG. 1;

FIG. 3 is a bottom view of the lid/container of FIG. 1;

FIG. 4 is a side elevational view of the lid/container of FIG. 1 with one of the lid latches in an up non-receiving position, the view of both sides being identical;

FIG. 5 is an unassembled perspective view of the lid/container of FIG. 1;

FIG. 6 is a side elevational view of the lid per se with both latches in an up position;

FIG. 7 is an additional top plan view of the lid/container of FIG. 1 positioned on the same sheet with like lid/containers having different dimensions;

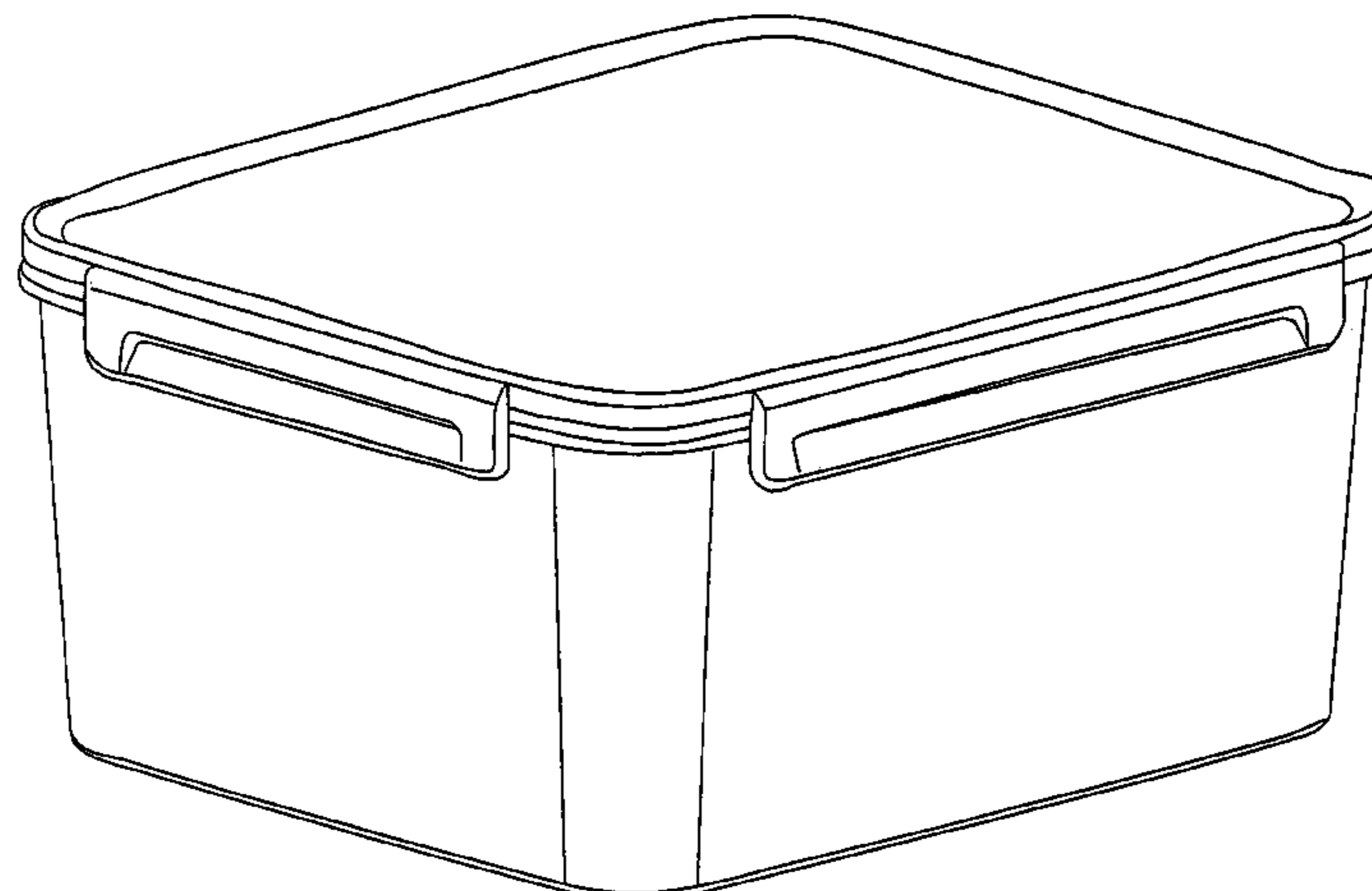
FIGS. 8, 9 and 10 are top plan views of the lid/containers similar to the lid/containers of FIG. 1, but having different dimensions, the bottom views will be the same as FIG. 3 except for the dimensions;

FIG. 11 is a front view of the lid/containers of FIGS. 8 and 9 looking from the left of the figure;

FIG. 12 is a side view of the lid/containers of FIGS. 8, 9 and 10, looking from the bottom of FIGS. 7 and 8 and from the left of FIG. 10; and,

FIG. 13 is a front view of the lid/containers of FIGS. 9 and 10 looking from the bottom.

1 Claim, 7 Drawing Sheets



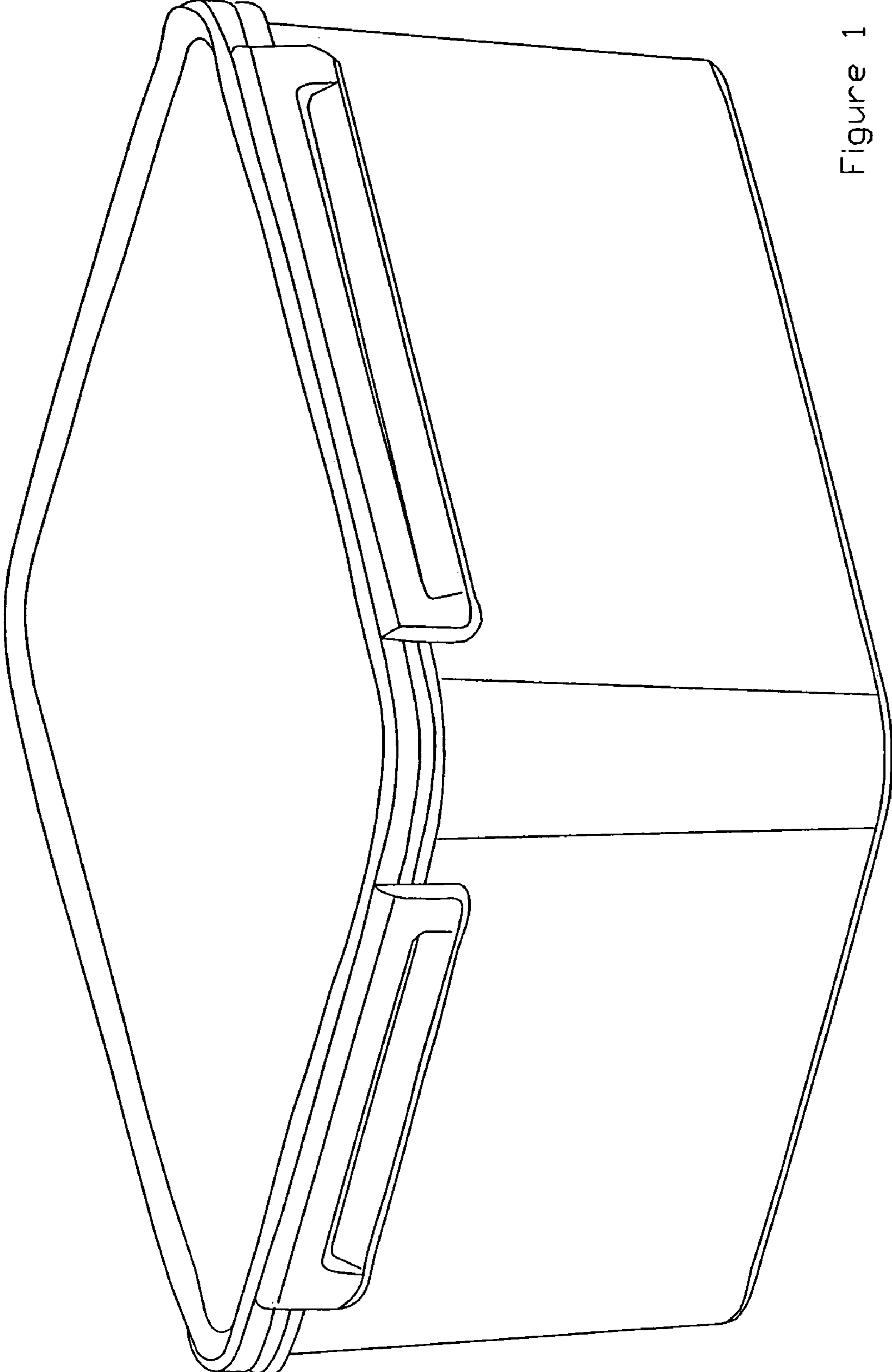


Figure 1

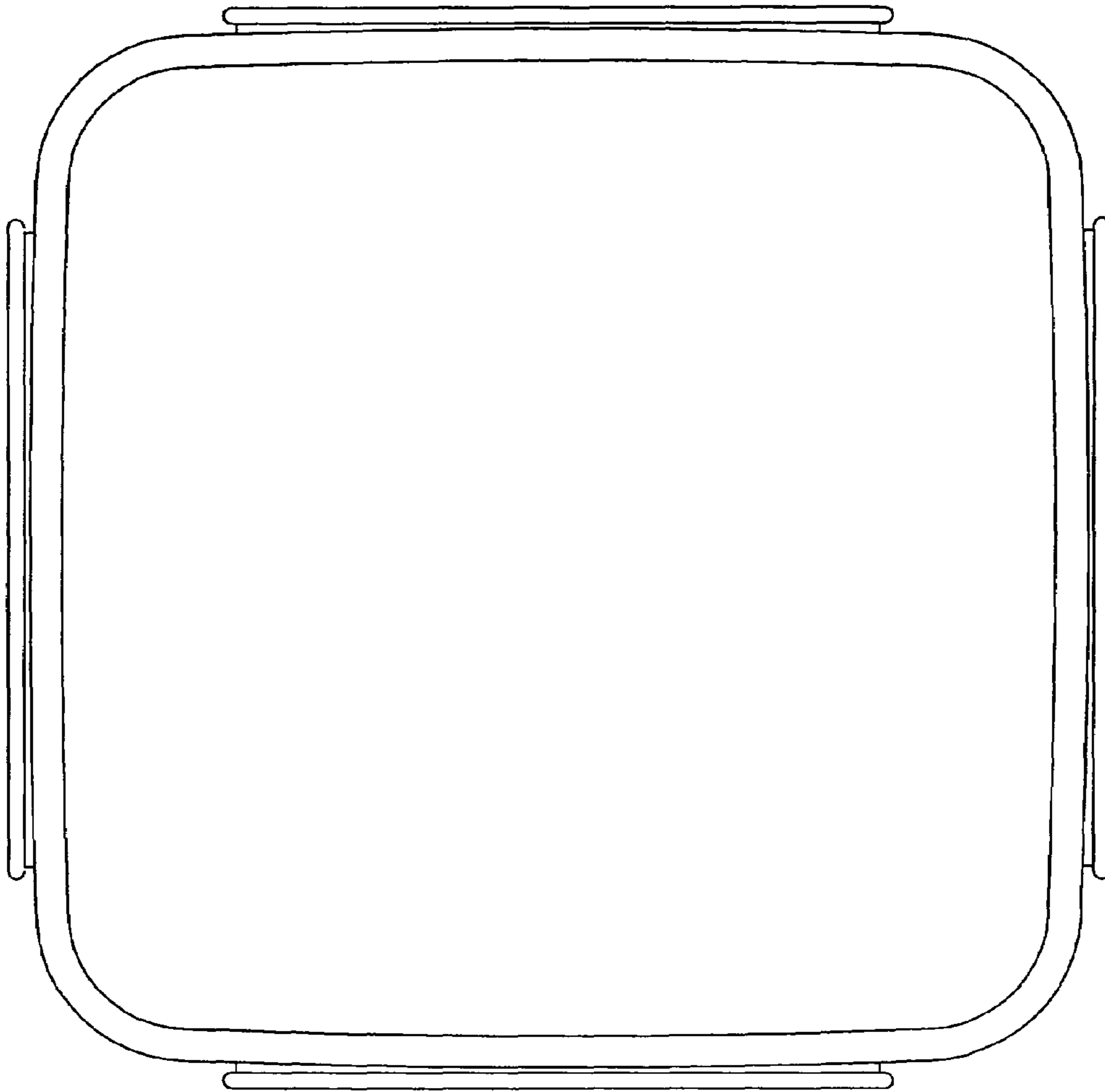


Figure 2

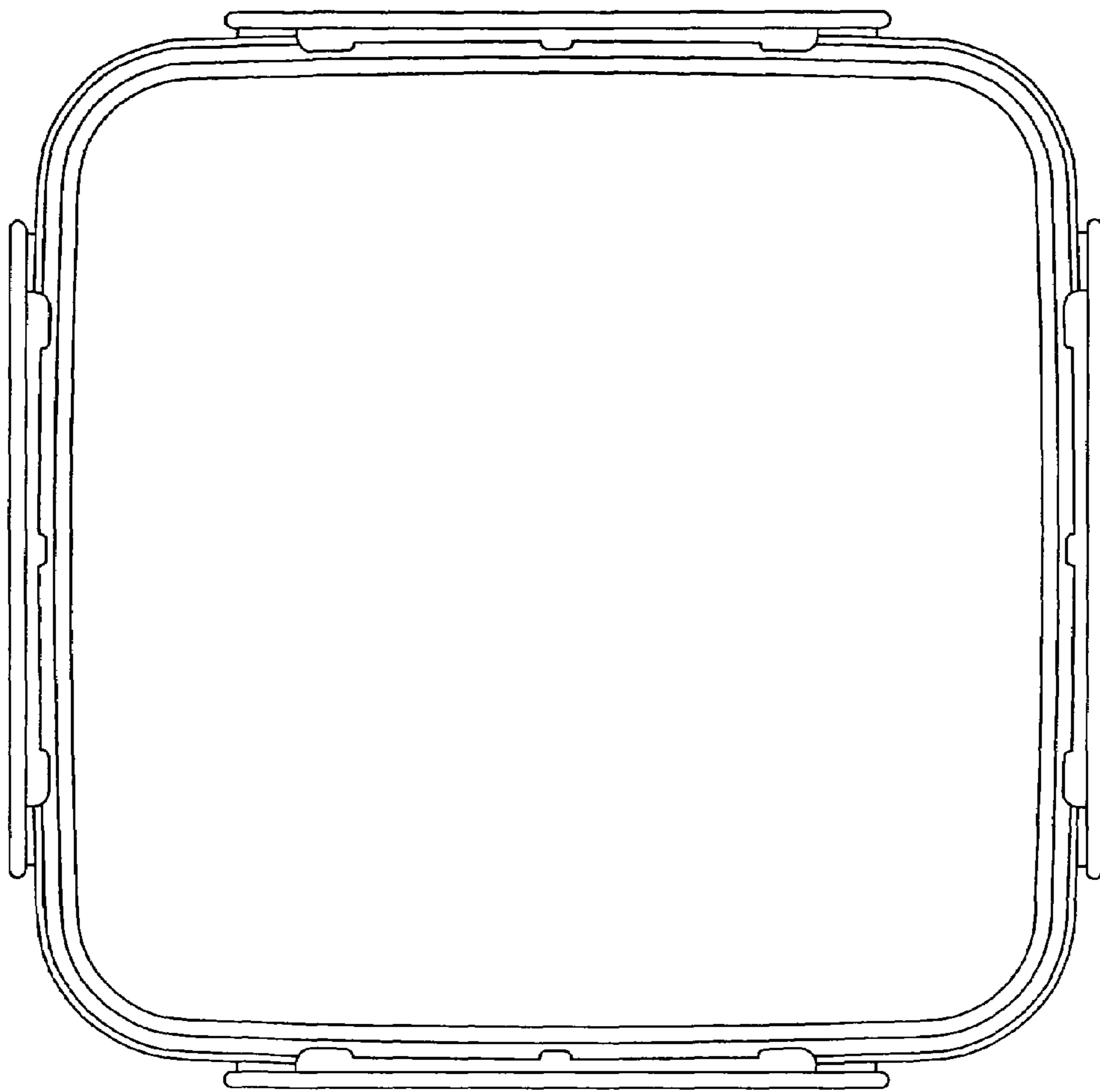


Figure 3

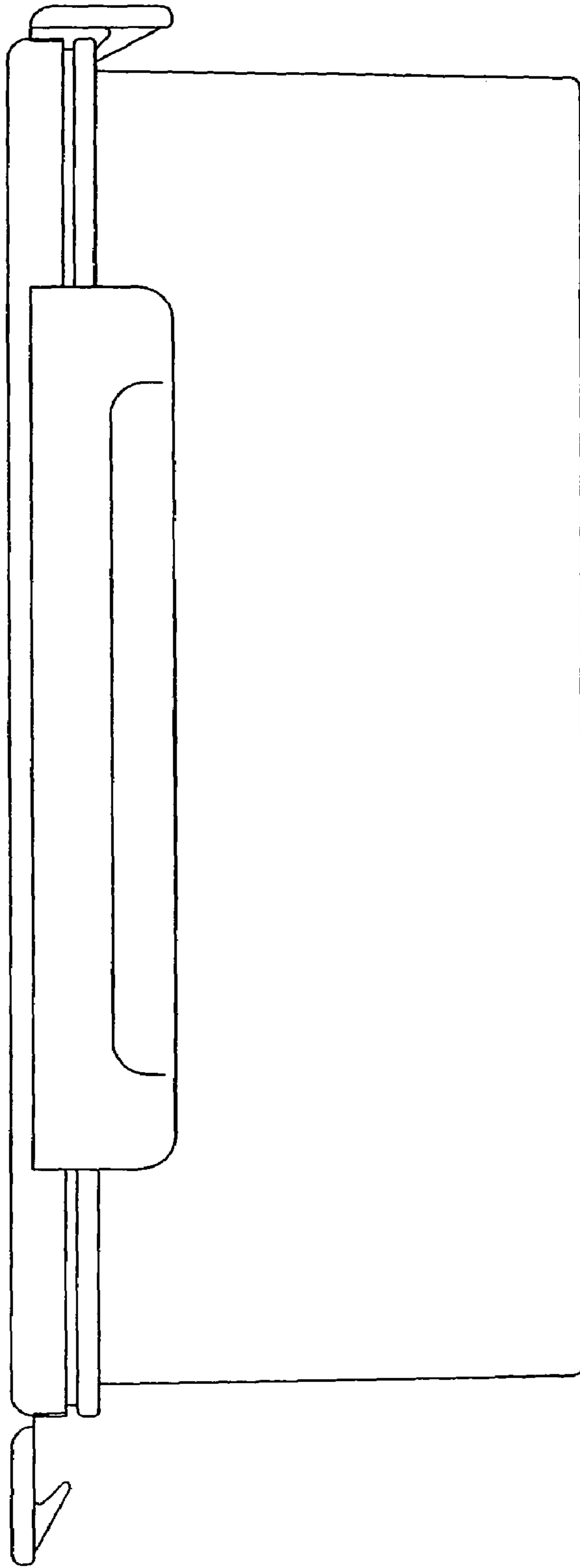


Figure 4

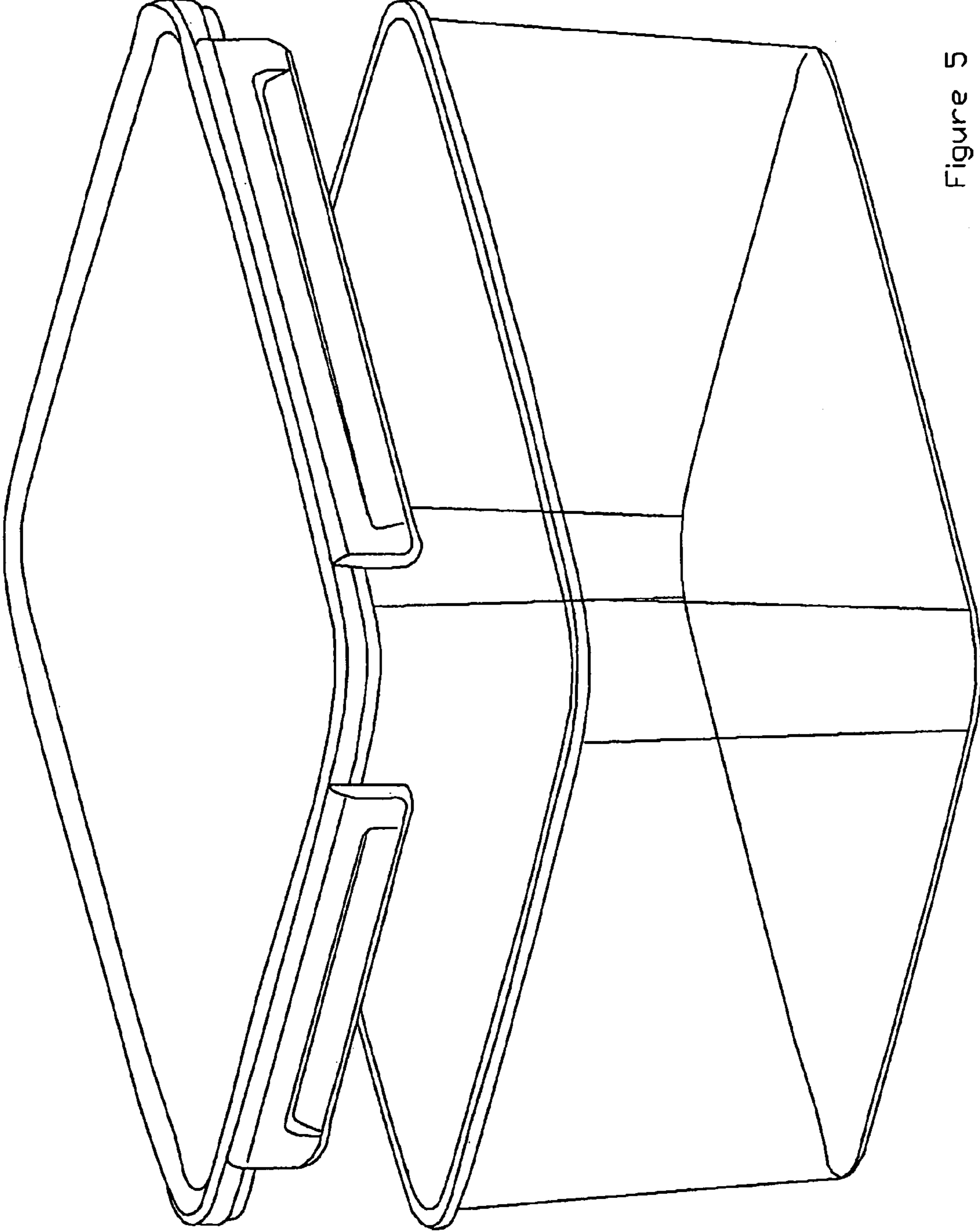


Figure 5



Figure 6

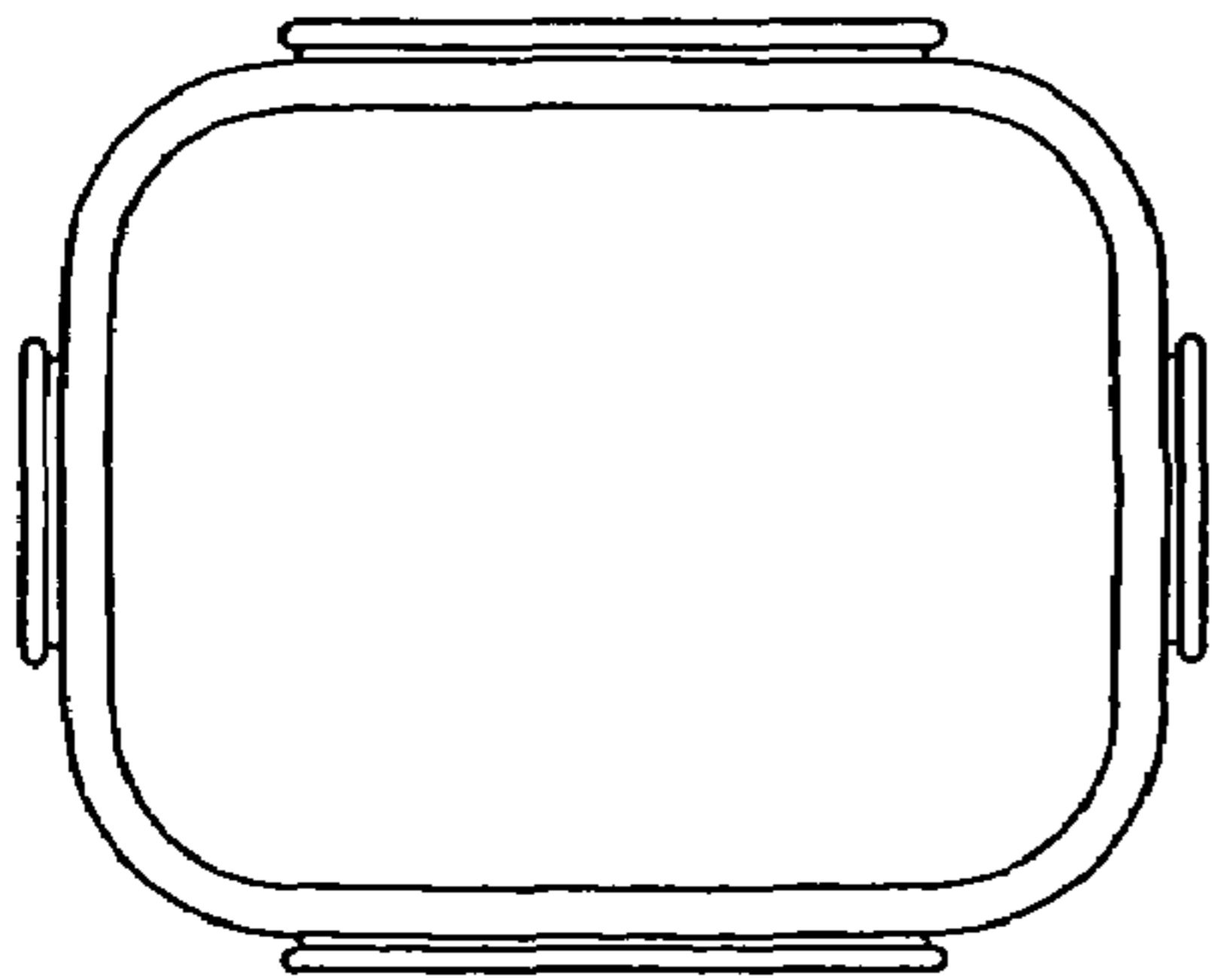


Figure 9

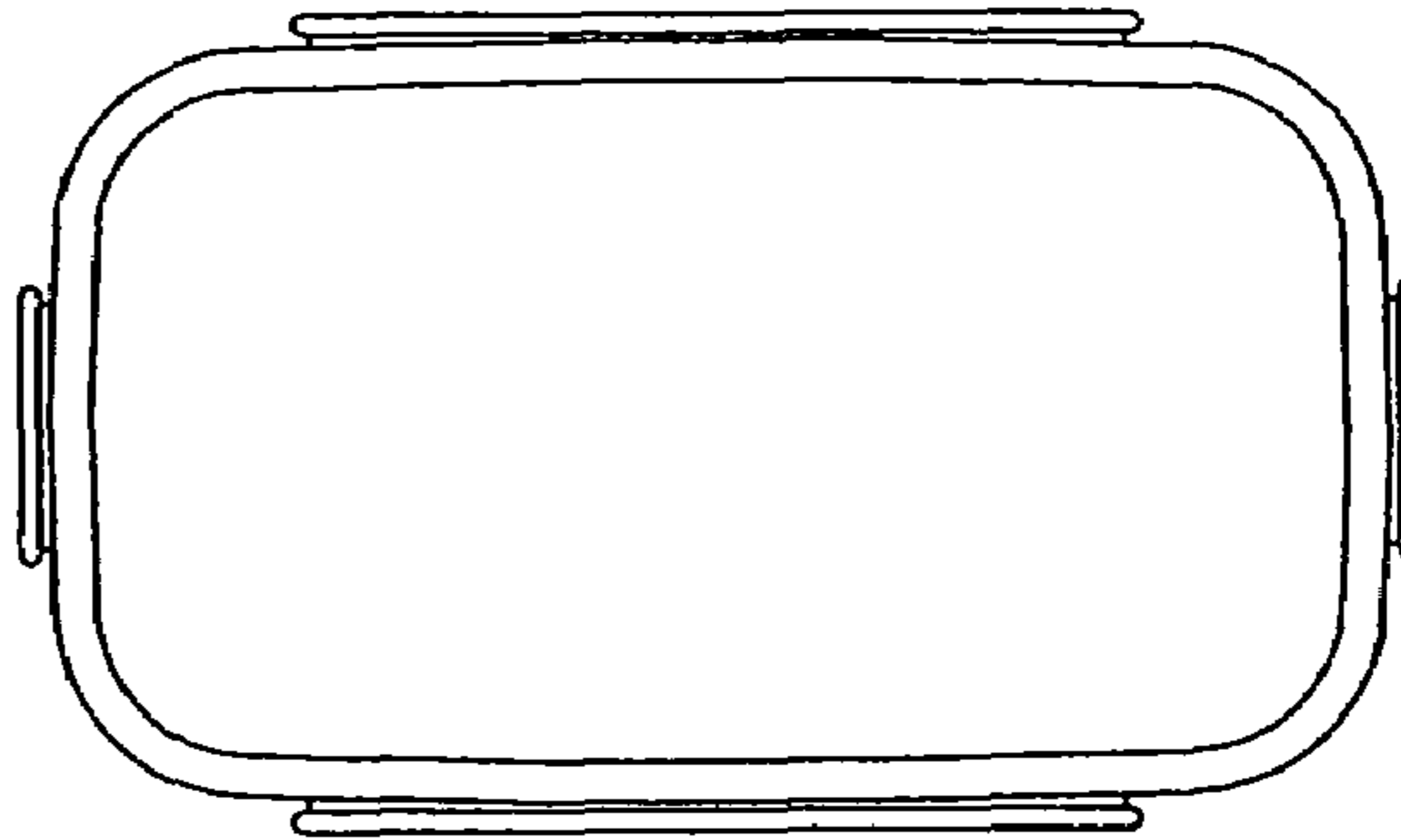


Figure 10

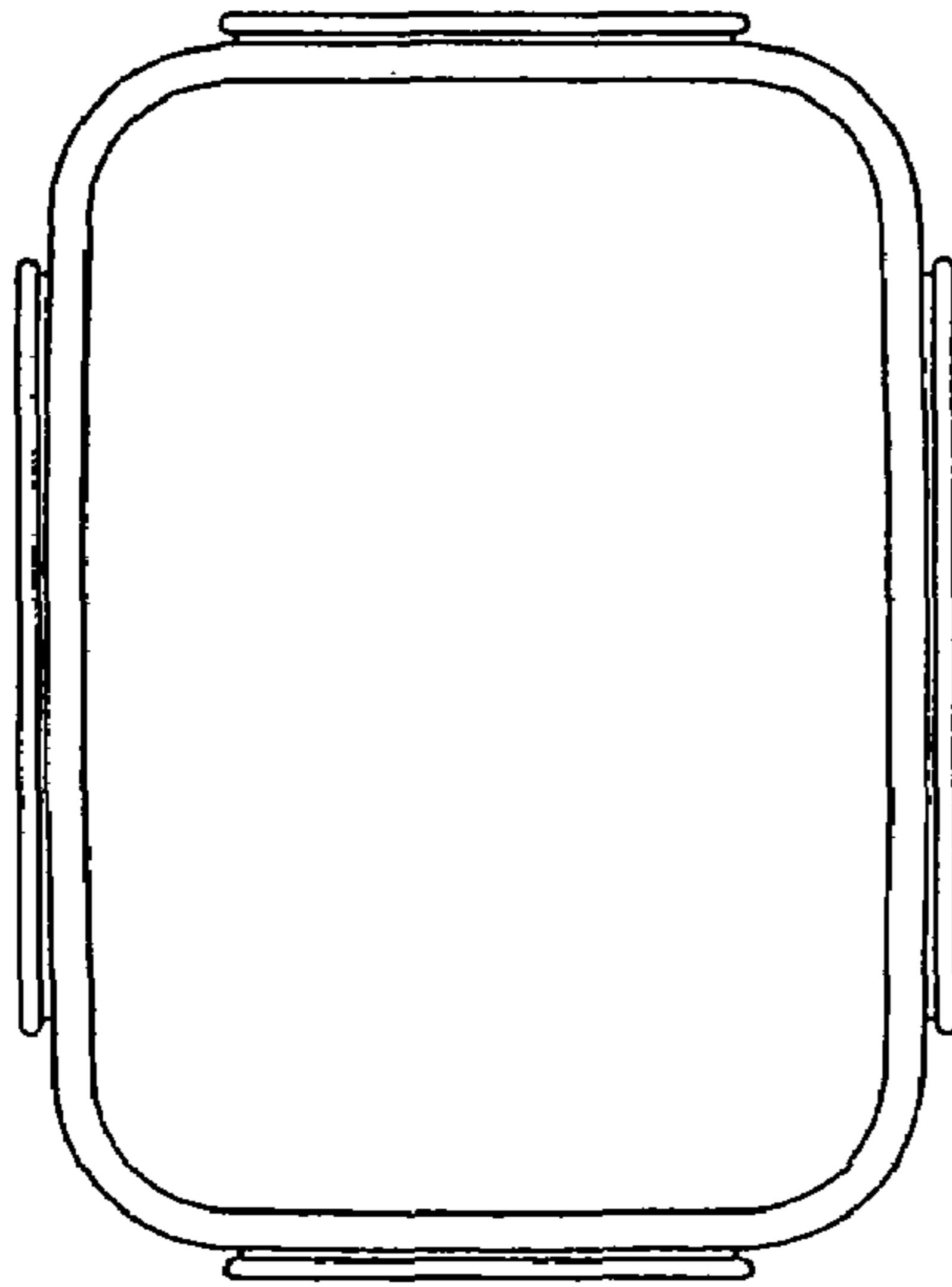


Figure 8

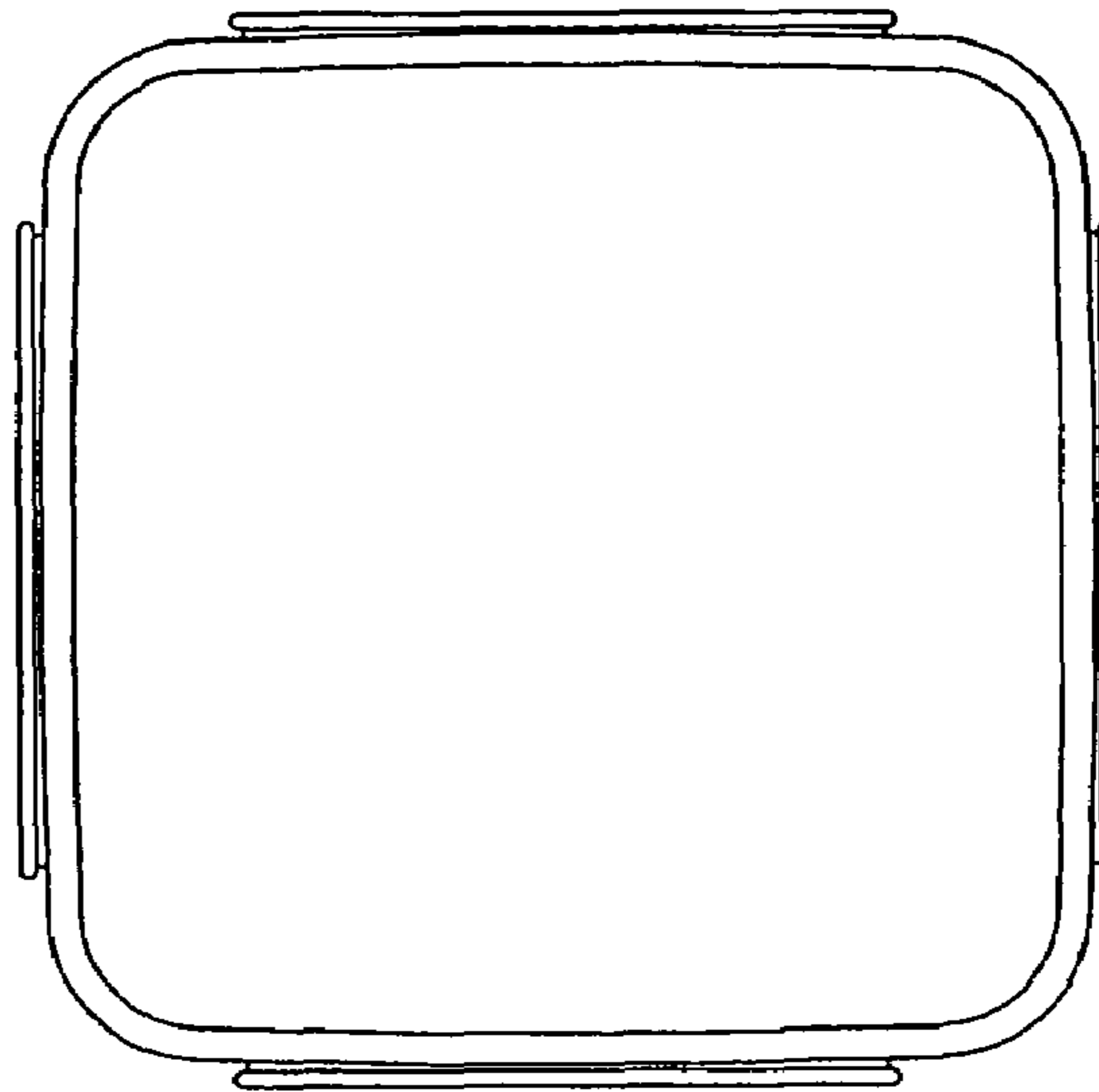


Figure 7

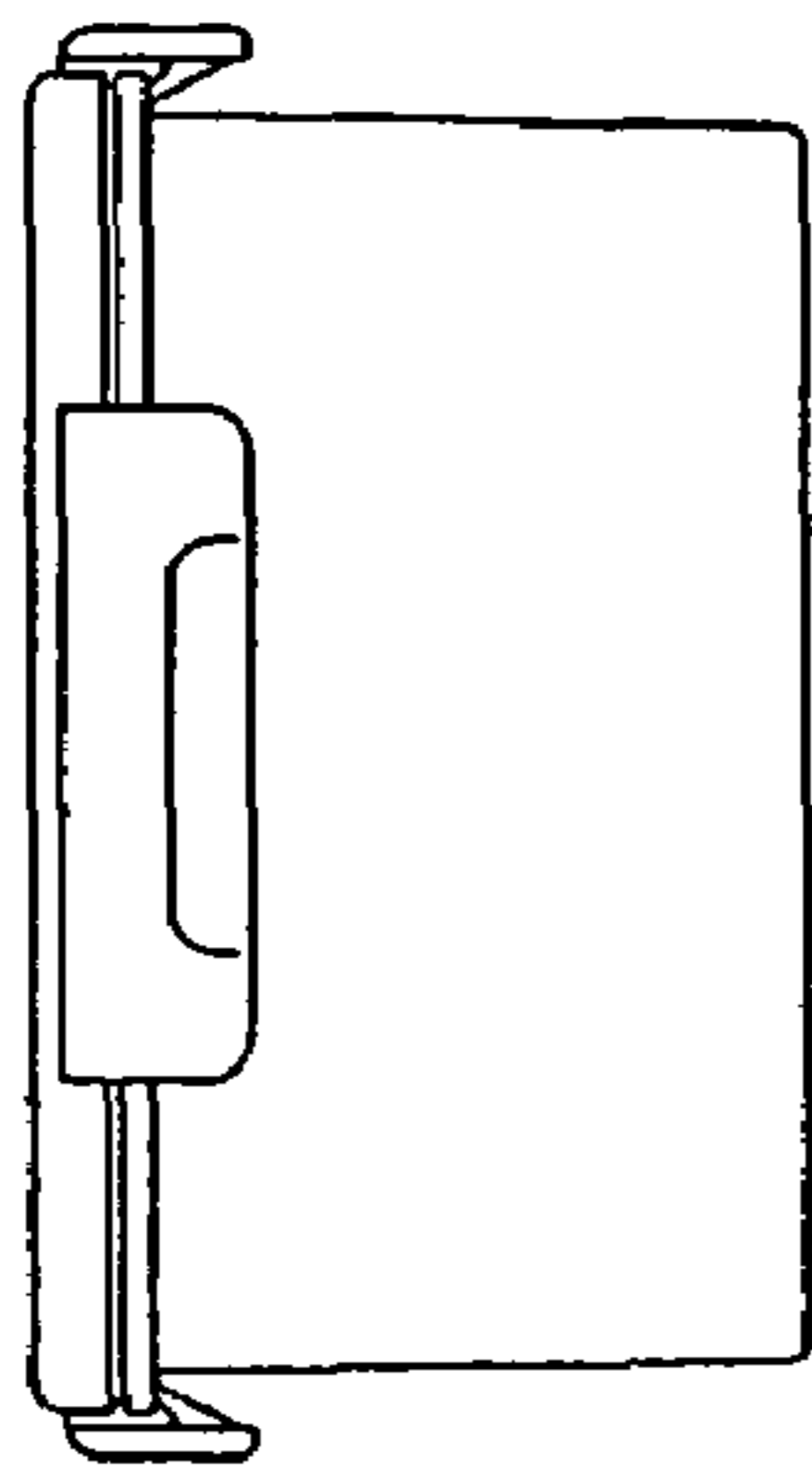


Figure 11

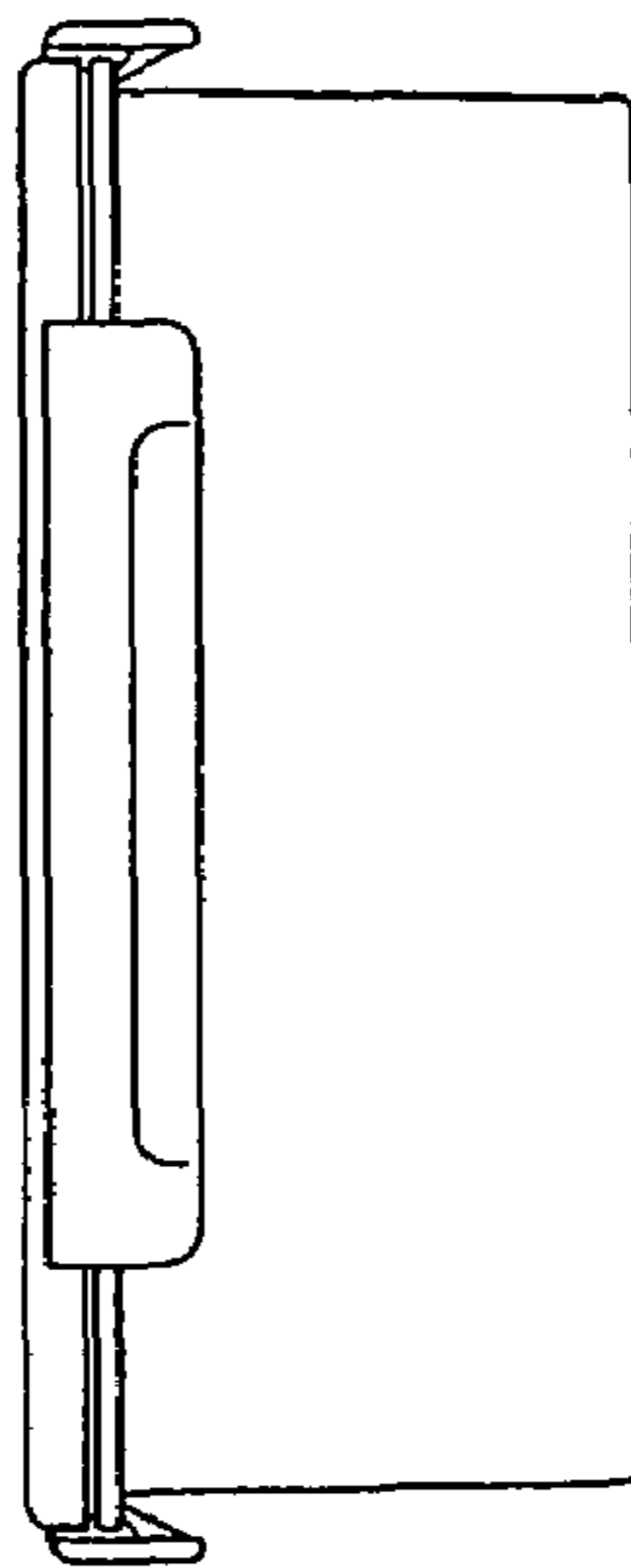


Figure 12

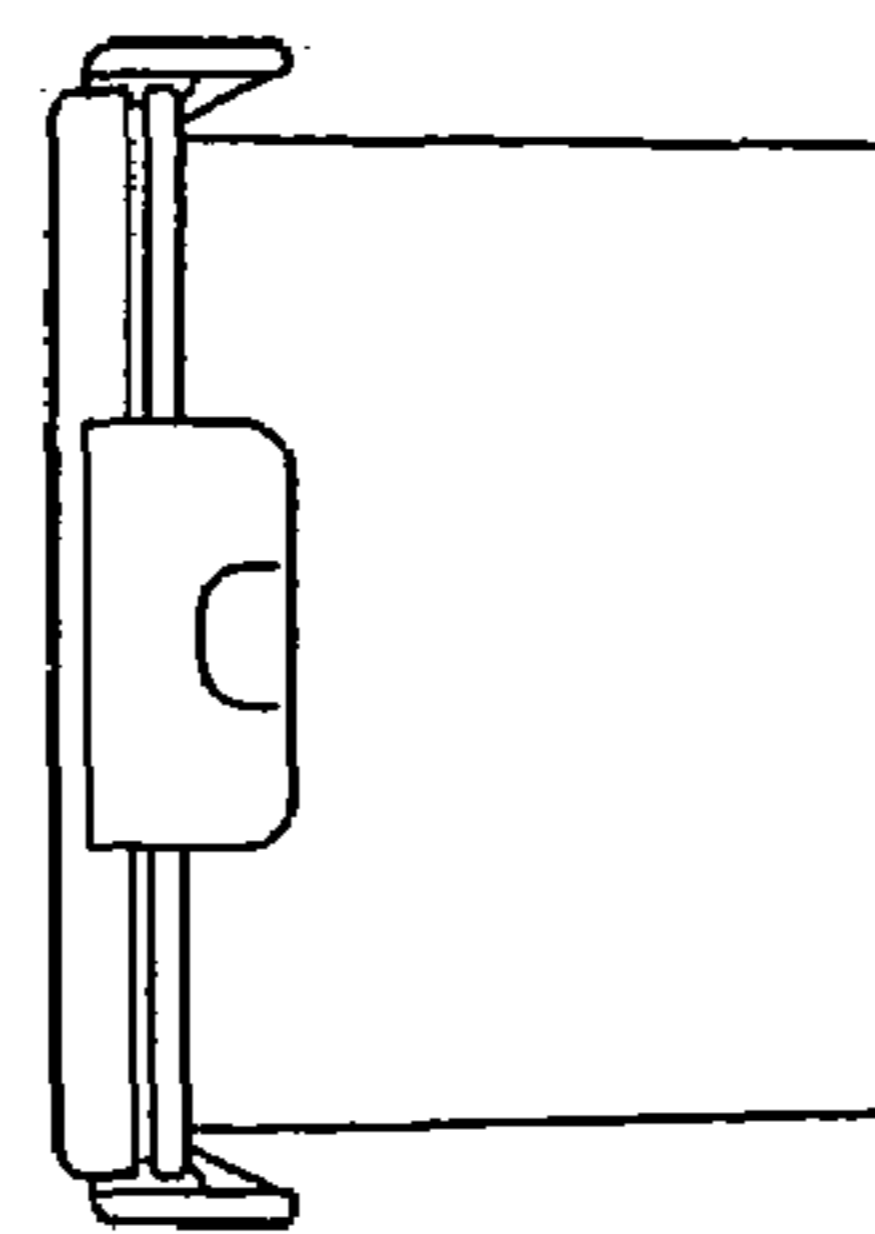


Figure 13