



US00D562081S

(12) **United States Design Patent**
Ambach

(10) **Patent No.:** **US D562,081 S**

(45) **Date of Patent:** **** Feb. 19, 2008**

(54) **WINE COOLER**

(75) Inventor: **Mike Ambach**, Ginsheim-Gustavsburg (DE)

(73) Assignee: **BSH Bosch und Siemens Hausgeraete GmbH**, Munich (DE)

(**) Term: **14 Years**

(21) Appl. No.: **29/266,873**

(22) Filed: **Sep. 28, 2006**

(30) **Foreign Application Priority Data**

May 30, 2006 (EM) 000512561

(51) **LOC (8) Cl.** **07-06**

(52) **U.S. Cl.** **D7/619.1**

(58) **Field of Classification Search** D7/619.1-625,
D7/701-725, 600.1-600.4; D6/465, 466,
D6/469, 419, 420; 215/392-396; 211/13.1,
211/71.01, 74; 248/105, 133, 146, 148, 152,
248/174, 176.1, 312

See application file for complete search history.

(56) **References Cited**

U.S. PATENT DOCUMENTS

3,814,293 A * 6/1974 Daves 211/74
4,515,334 A * 5/1985 Horne 248/146
D290,673 S * 7/1987 Imatt D7/619.1
4,836,476 A * 6/1989 Wolf 248/146
5,624,043 A * 4/1997 Baptista 211/74

* cited by examiner

Primary Examiner—Terry A Wallace

(74) *Attorney, Agent, or Firm*—Russell W. Warnock; Craig J. Loest; James E. Howard

(57) **CLAIM**

The ornamental design for a wine cooler, as shown and described.

DESCRIPTION

FIG. 1 is perspective view of a wine cooler showing my ornamental design;

FIG. 2 is bottom perspective view of the wine cooler embodiment shown in FIG. 1;

FIG. 3 is a right view of the wine cooler embodiment shown in FIG. 1;

FIG. 4 is a left plan view of the wine cooler embodiment shown in FIG. 1;

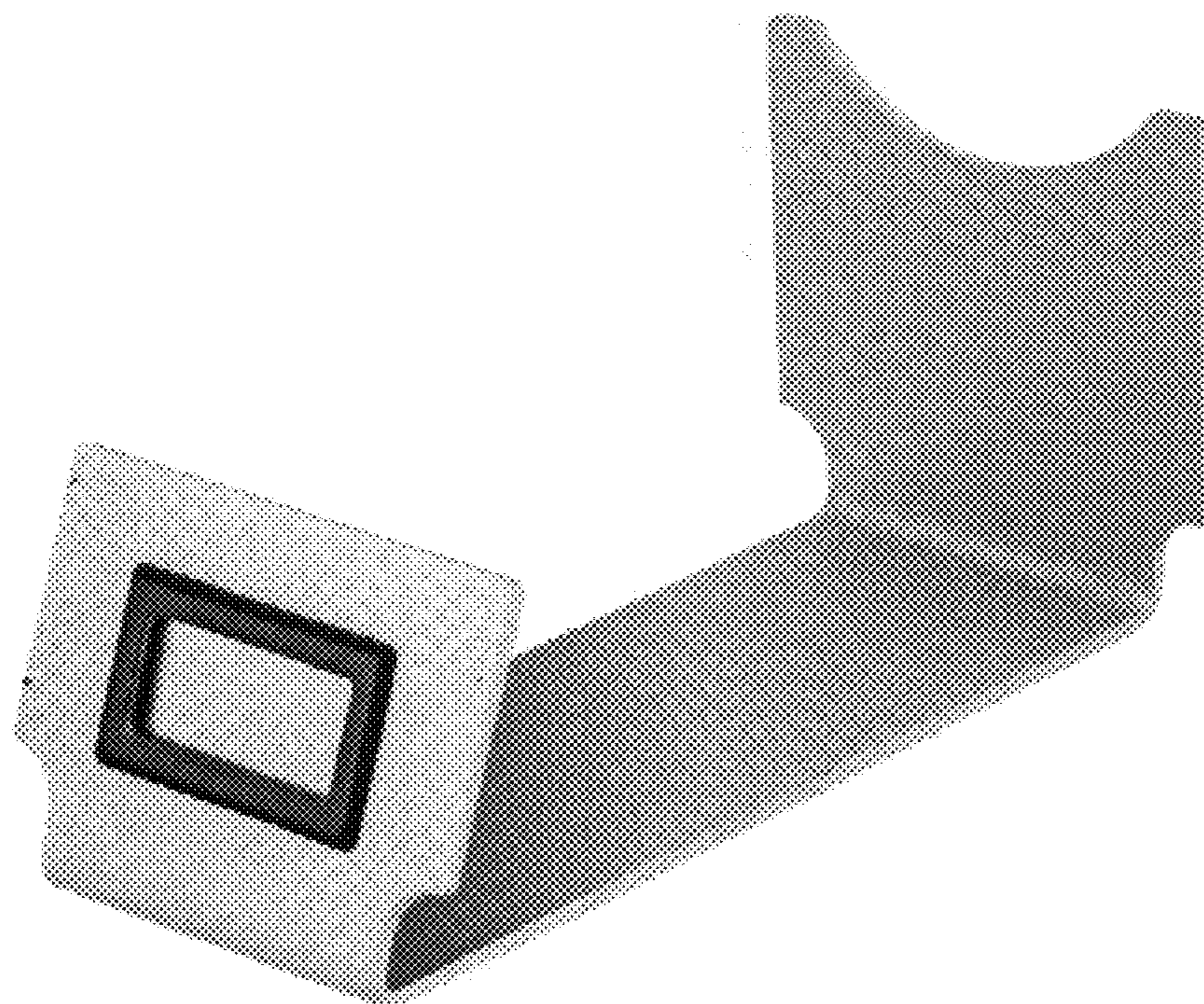
FIG. 5 is a front plan view of the wine cooler embodiment shown in FIG. 1;

FIG. 6 is a rear plan view of the wine cooler embodiment shown in FIG. 1;

FIG. 7 is top view of the wine cooler embodiment shown in FIG. 1; and,

FIG. 8 is a bottom view of the wine cooler embodiment shown in FIG. 1.

1 Claim, 4 Drawing Sheets



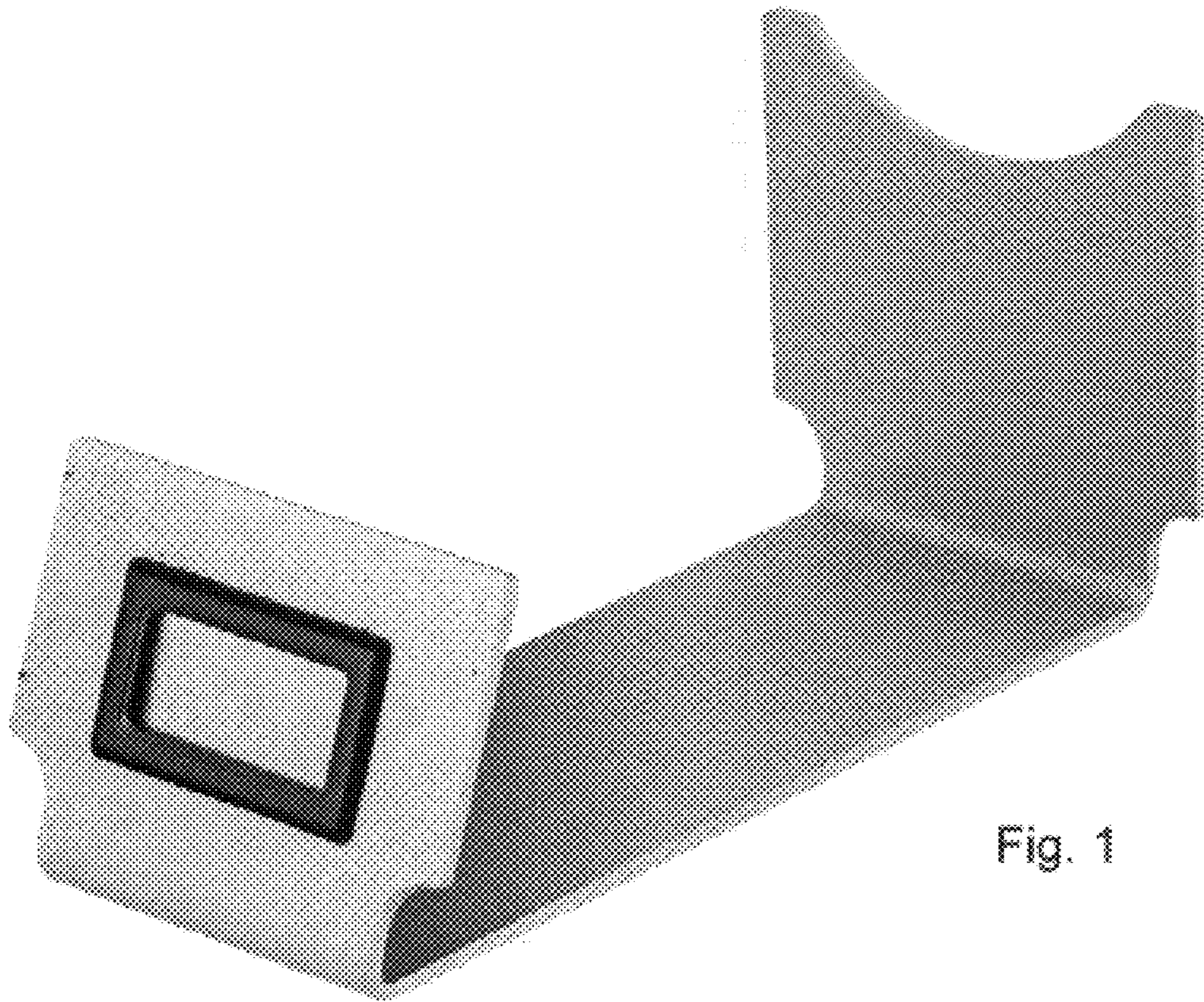


Fig. 1

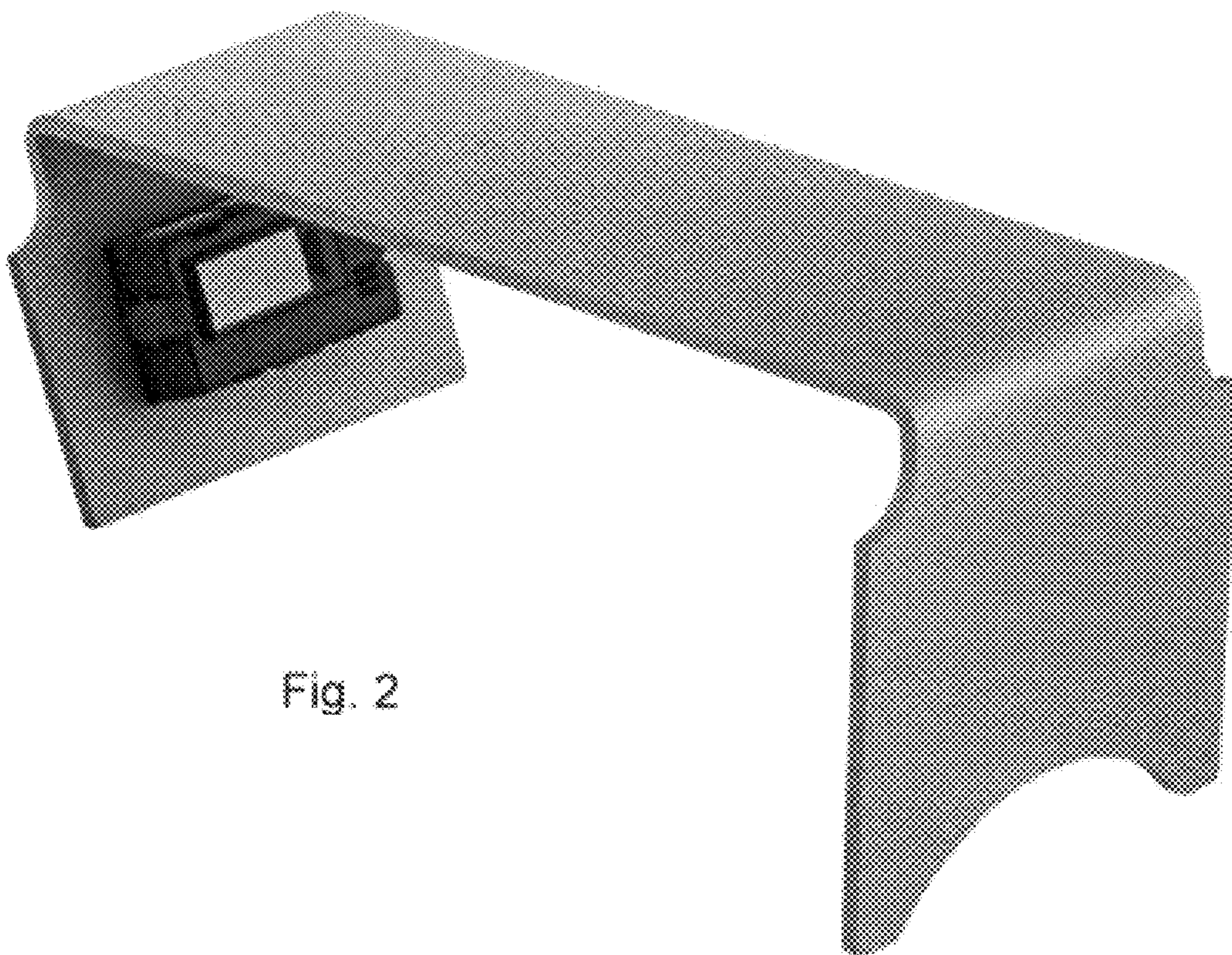


Fig. 2



Fig. 3



Fig. 4

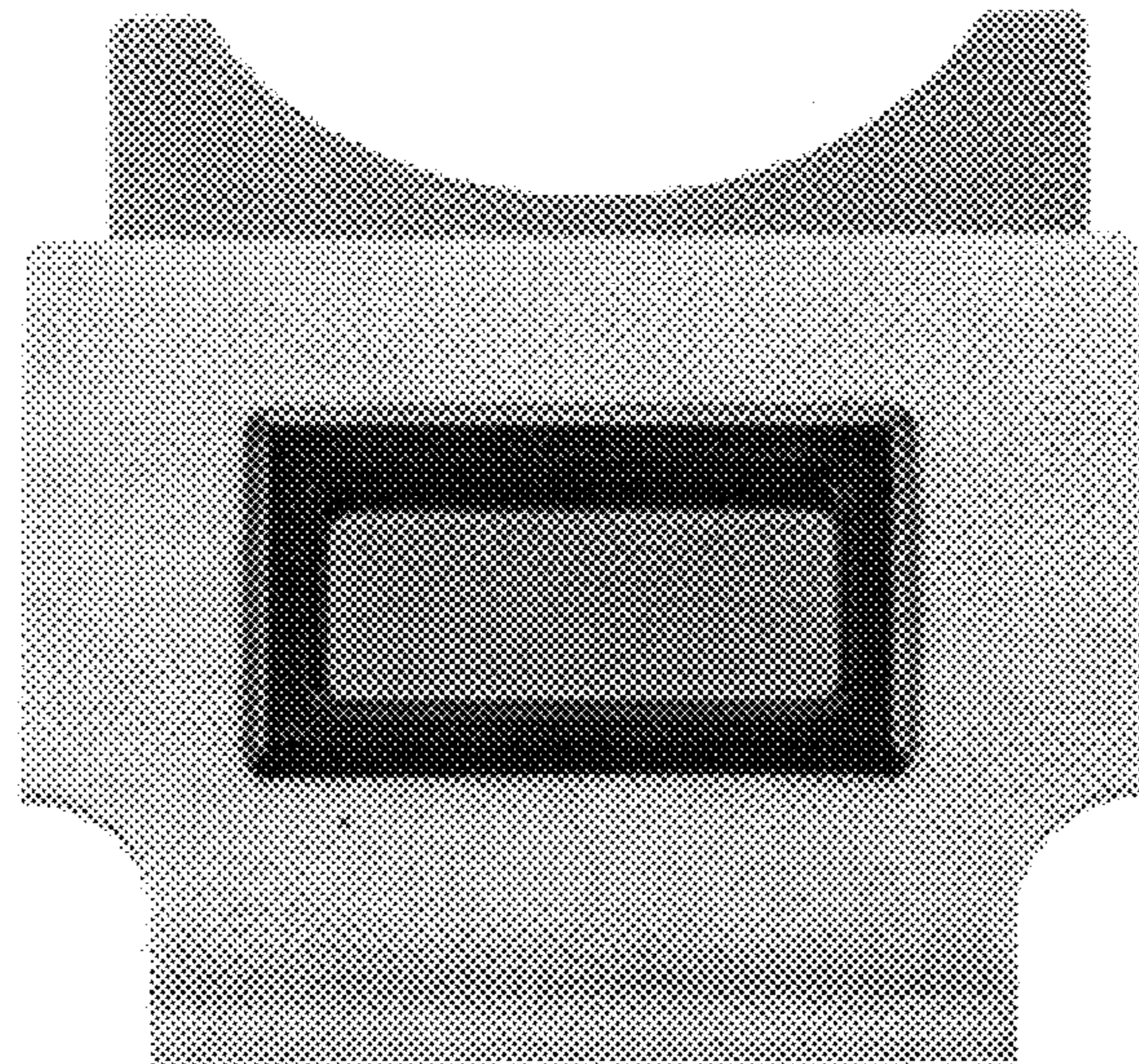


Fig. 5

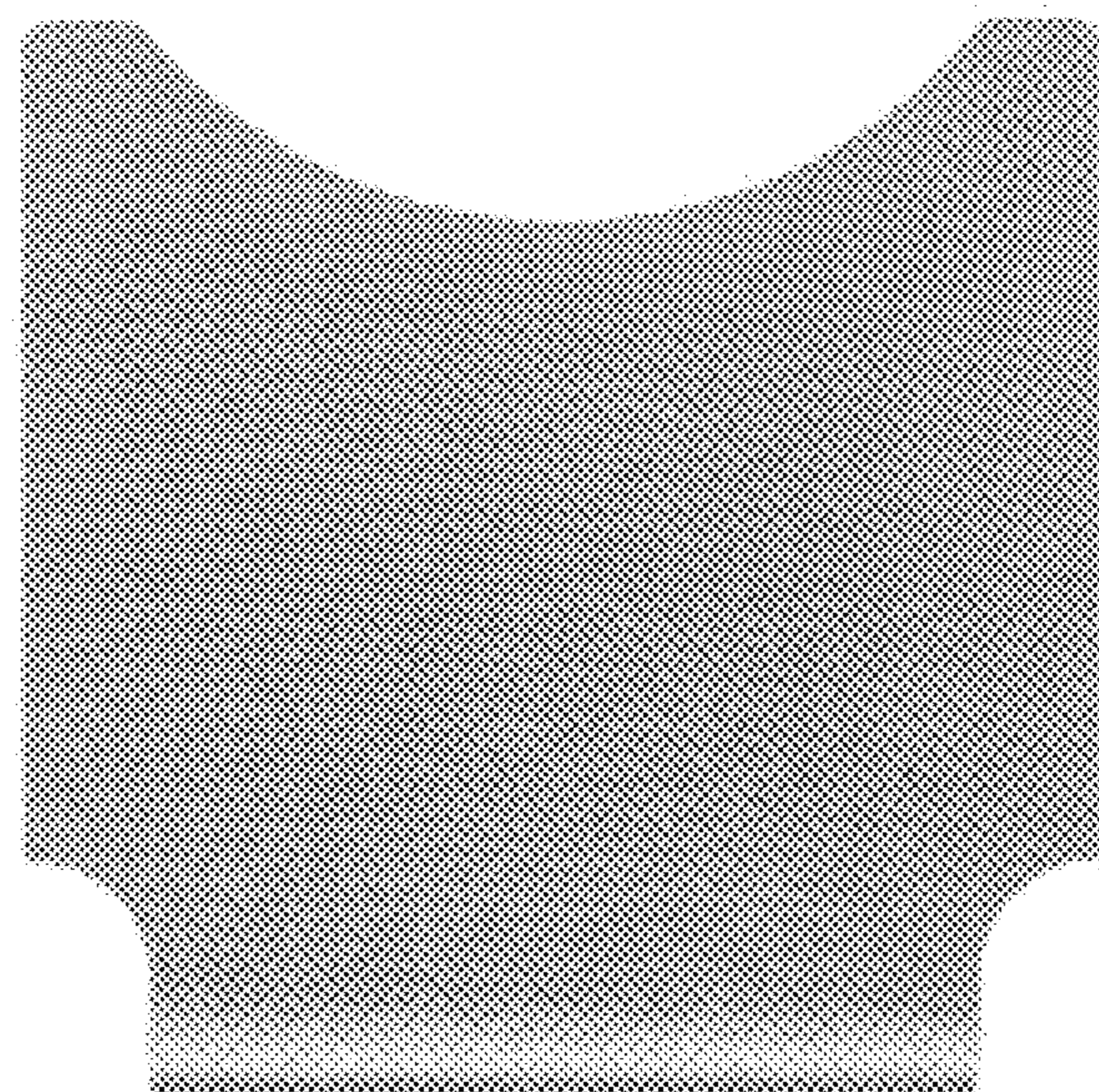


Fig. 6

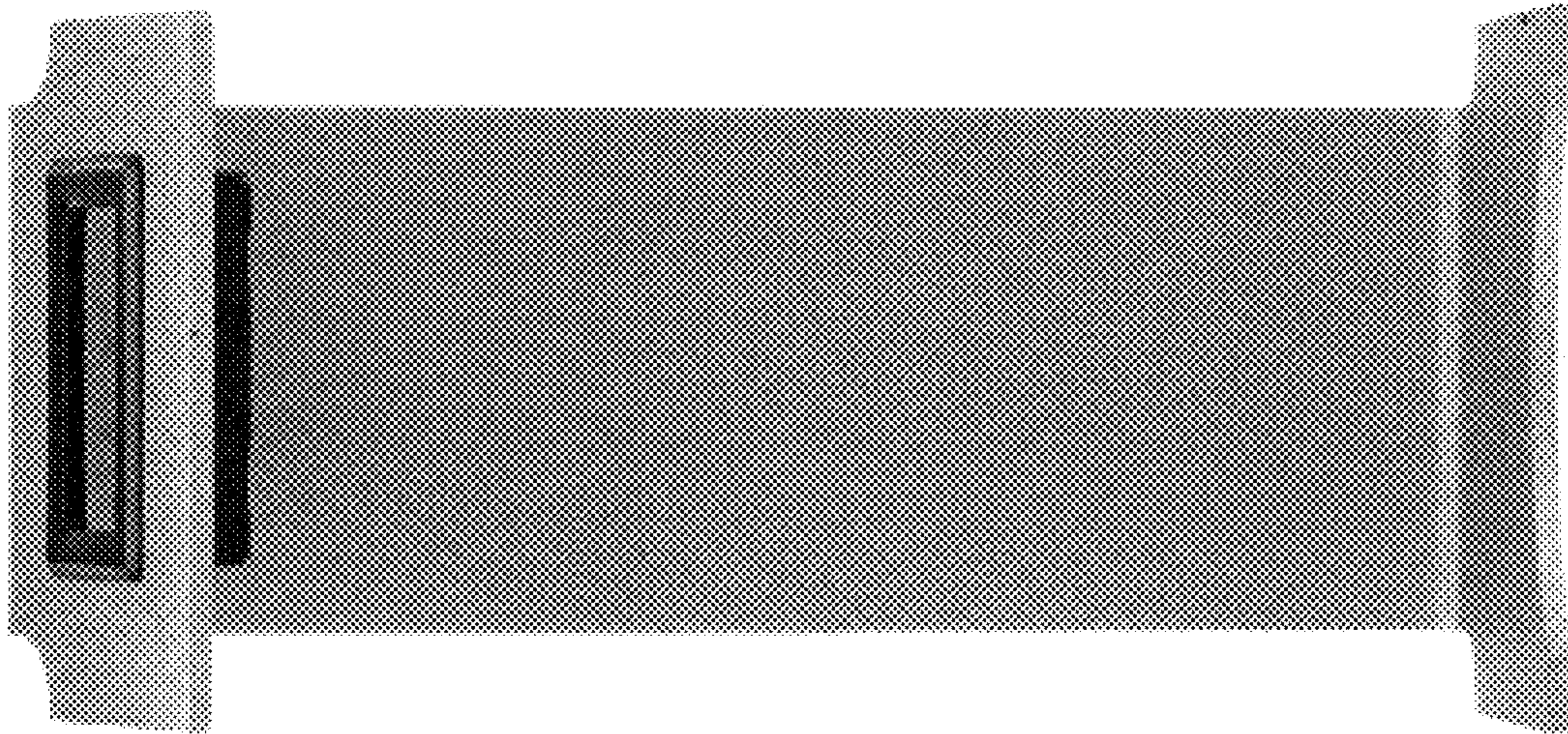


Fig. 7

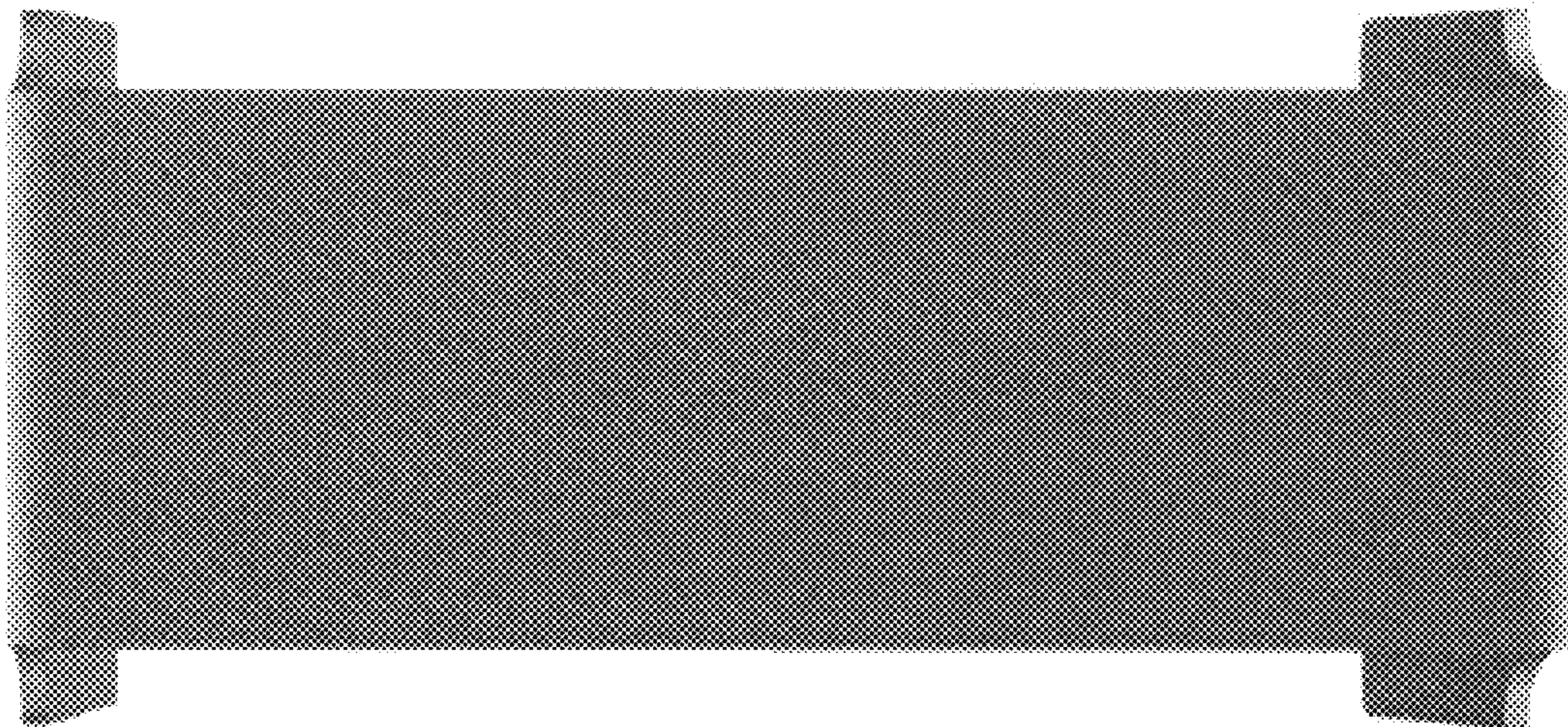


Fig. 8