



US00D562080S

(12) **United States Design Patent**
Jossem

(10) **Patent No.:** **US D562,080 S**

(45) **Date of Patent:** **** Feb. 19, 2008**

(54) **DRY CONDIMENT DISPENSER**

6,443,377 B1 * 9/2002 Cheng 241/169.1

(75) Inventor: **Adam A. Jossem**, Seattle, WA (US)

* cited by examiner

(73) Assignee: **Chef'n Corporation**, Seattle, WA (US)

Primary Examiner—Terry A Wallace

(74) *Attorney, Agent, or Firm*—Seed IP Law Group PLLC

(**) Term: **14 Years**

(57) **CLAIM**

(21) Appl. No.: **29/277,614**

The ornamental design for a dry condiment dispenser, as shown and described.

(22) Filed: **Mar. 2, 2007**

(51) **LOC (8) Cl.** **07-06**

(52) **U.S. Cl.** **D7/590**

(58) **Field of Classification Search** D7/590–597,
D7/679, 401.1, 383, 384, 372–374; D9/515,
D9/549, 559; 222/142.1–142.9, 480; 241/168,
241/169, 169.1, 262, 273.1–273.4, 286
See application file for complete search history.

DESCRIPTION

(56) **References Cited**

U.S. PATENT DOCUMENTS

- D60,206 S * 1/1922 Abbott D7/591
- D191,591 S * 10/1961 Wolf et al. D7/591
- 3,476,297 A * 11/1969 Swett et al. 222/480
- 4,277,000 A * 7/1981 Jaarsma 222/142.4
- D351,764 S * 10/1994 Johnson et al. D7/591
- D446,692 S * 8/2001 Bodum D7/679

FIG. 1 is a perspective view of a dry condiment dispenser and support for same.

FIG. 2 is a left side elevation view thereof.

FIG. 3 is a top plan view thereof.

FIG. 4 is a rear elevation view thereof.

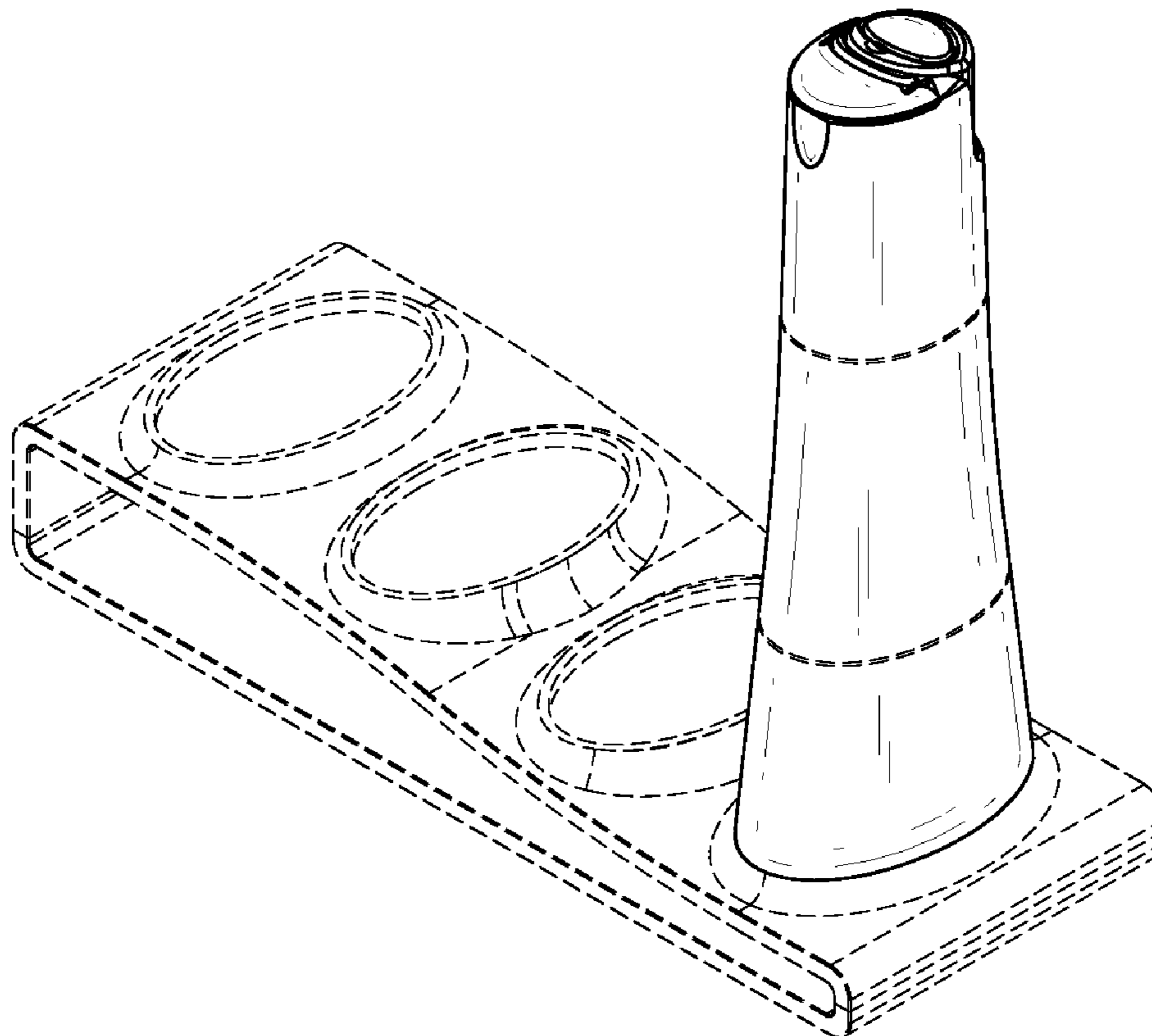
FIG. 5 is a front elevation view thereof.

FIG. 6 is a right side elevation view thereof; and,

FIG. 7 is a bottom plan view of dry condiment dispenser removed from support.

The broken lines in the figures are for illustrative purposes only and form no part of the claimed design.

1 Claim, 4 Drawing Sheets



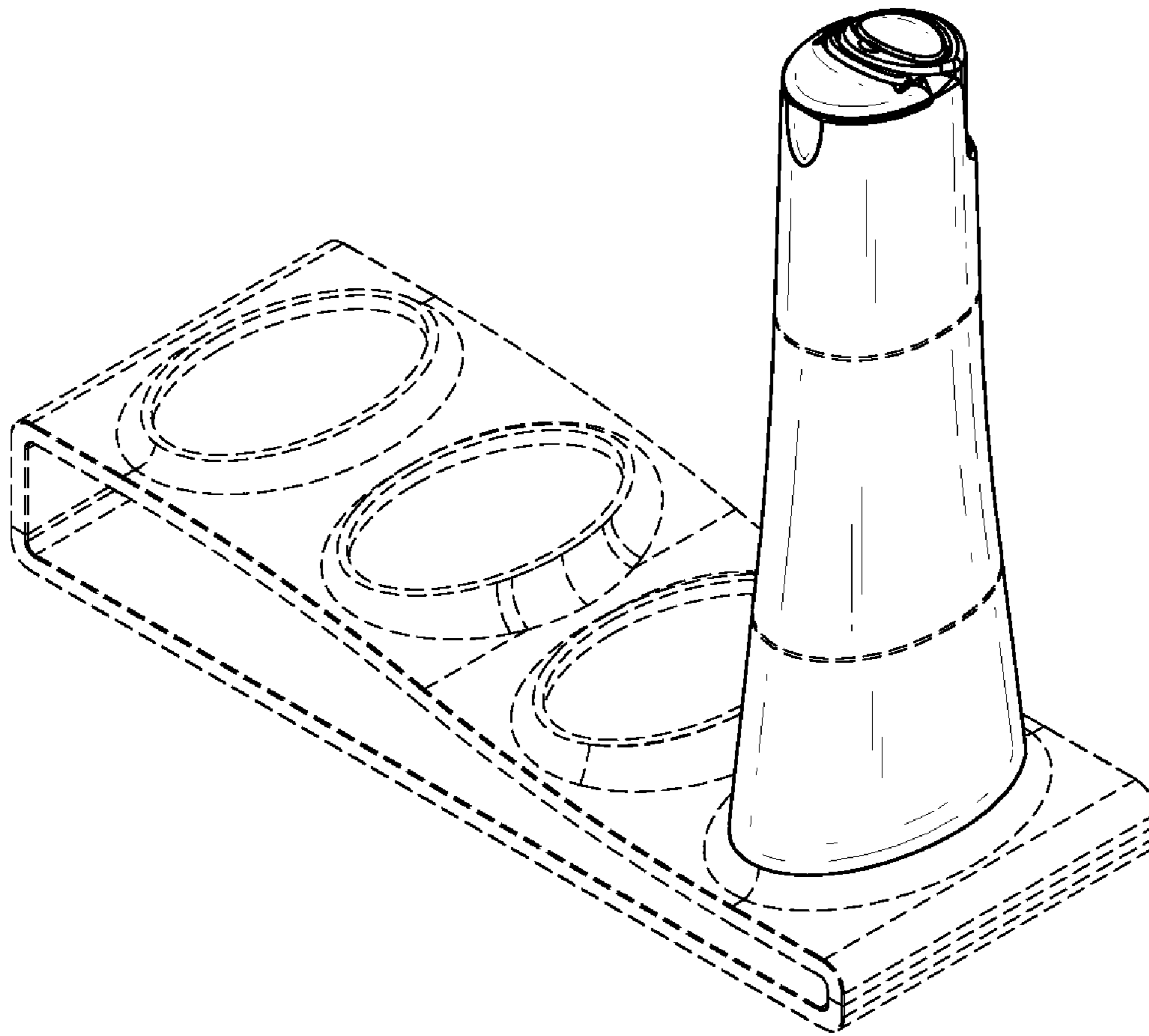


FIG. 1

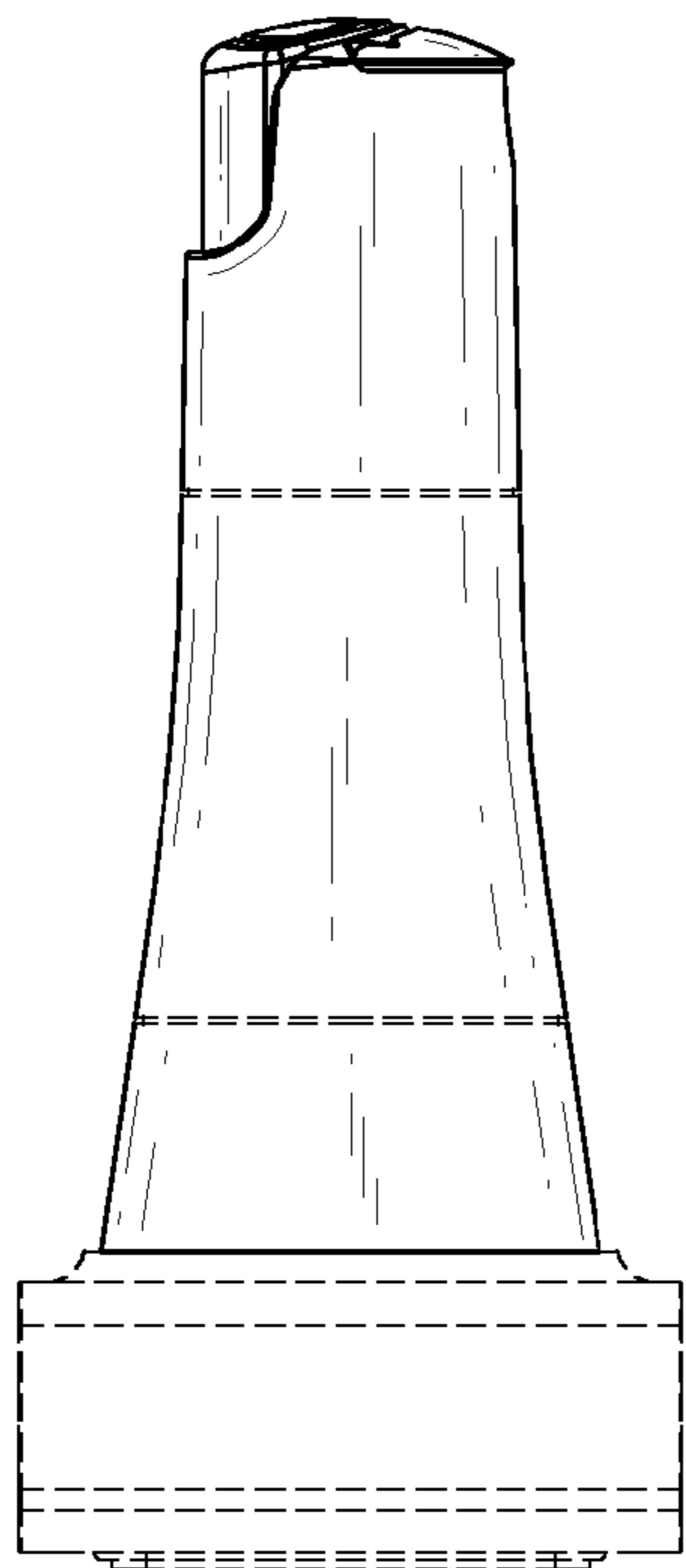


FIG. 2

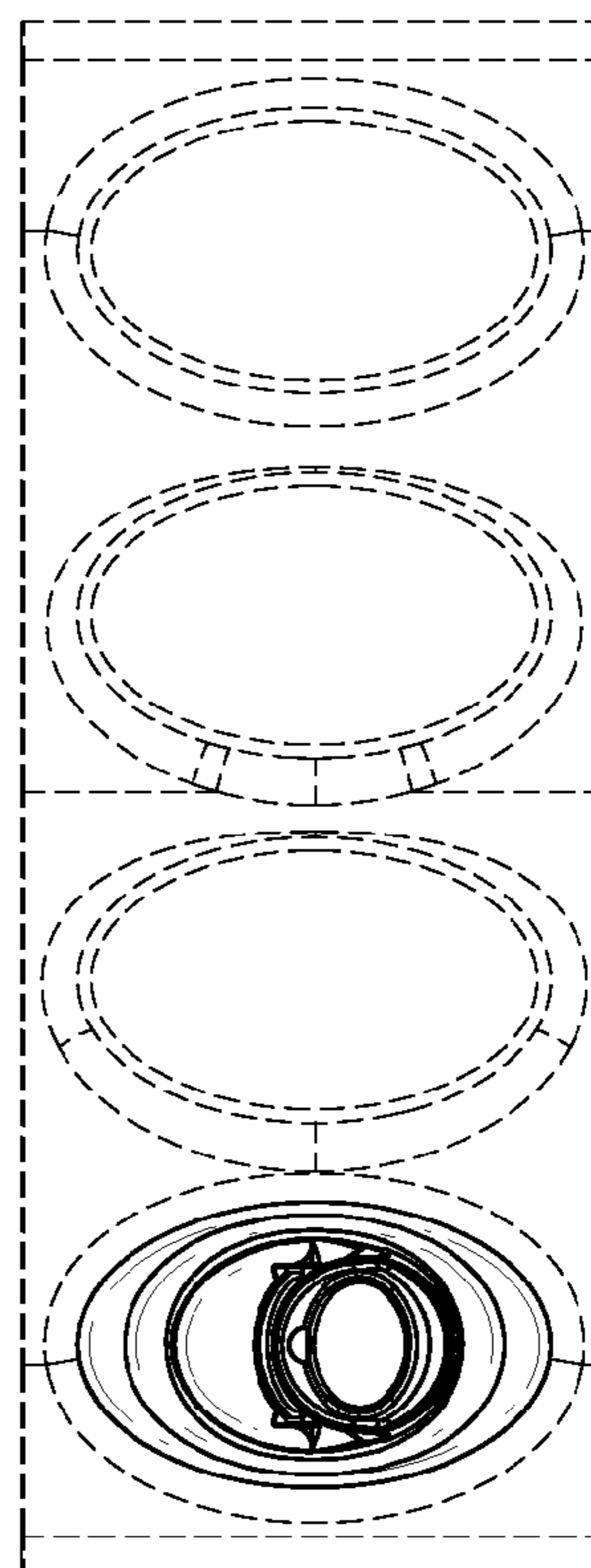


FIG. 3

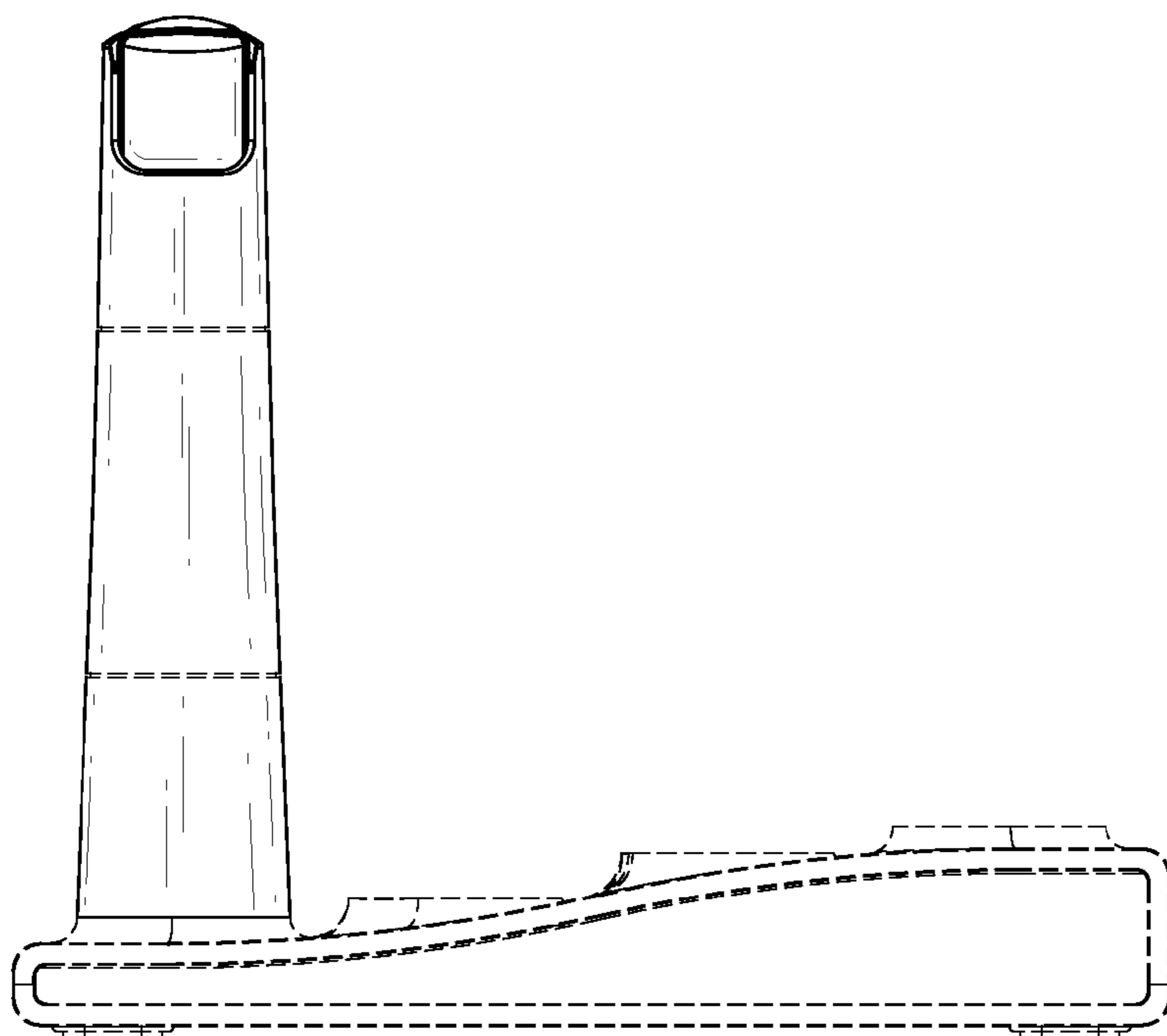


FIG. 4

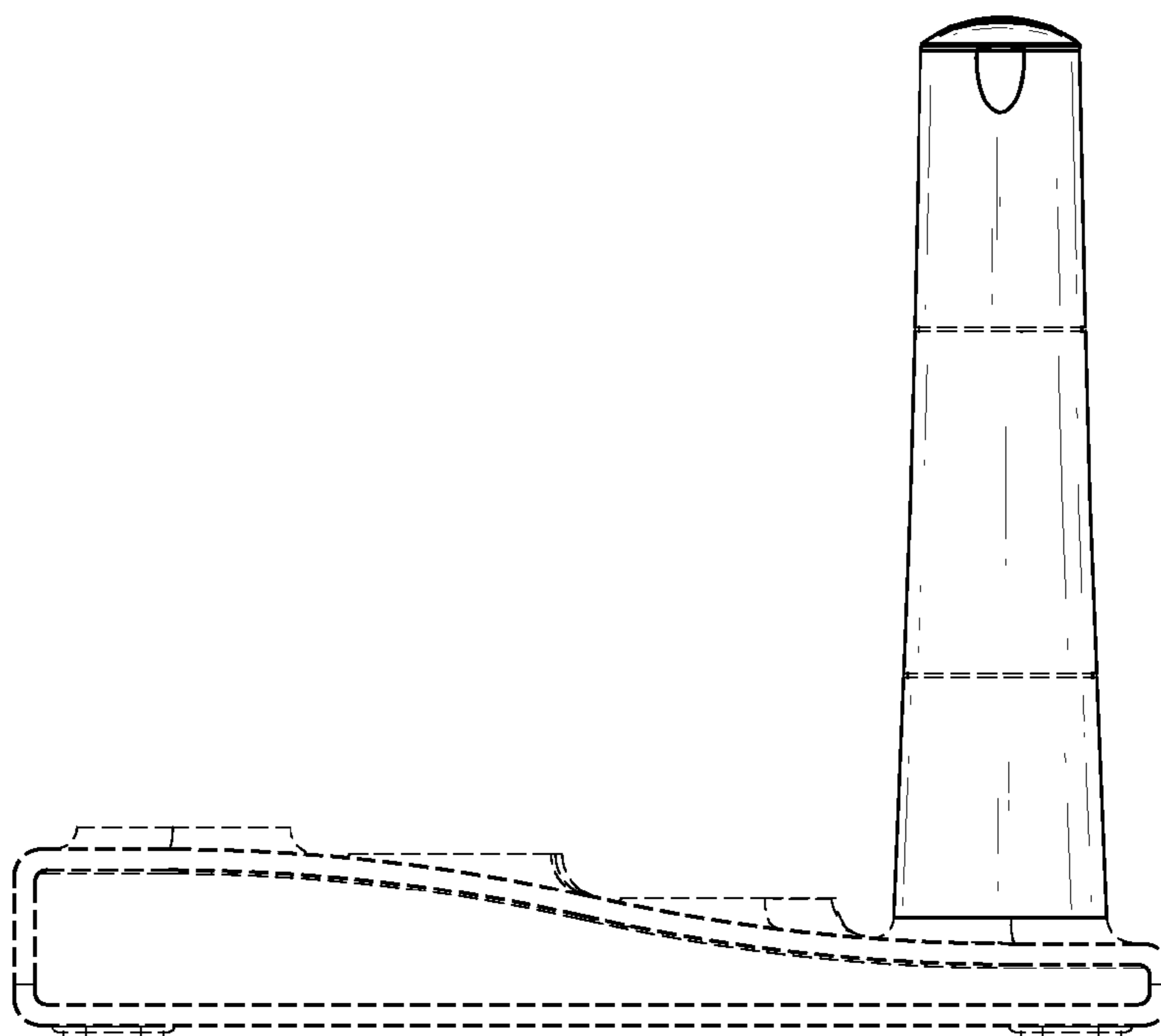


FIG. 5

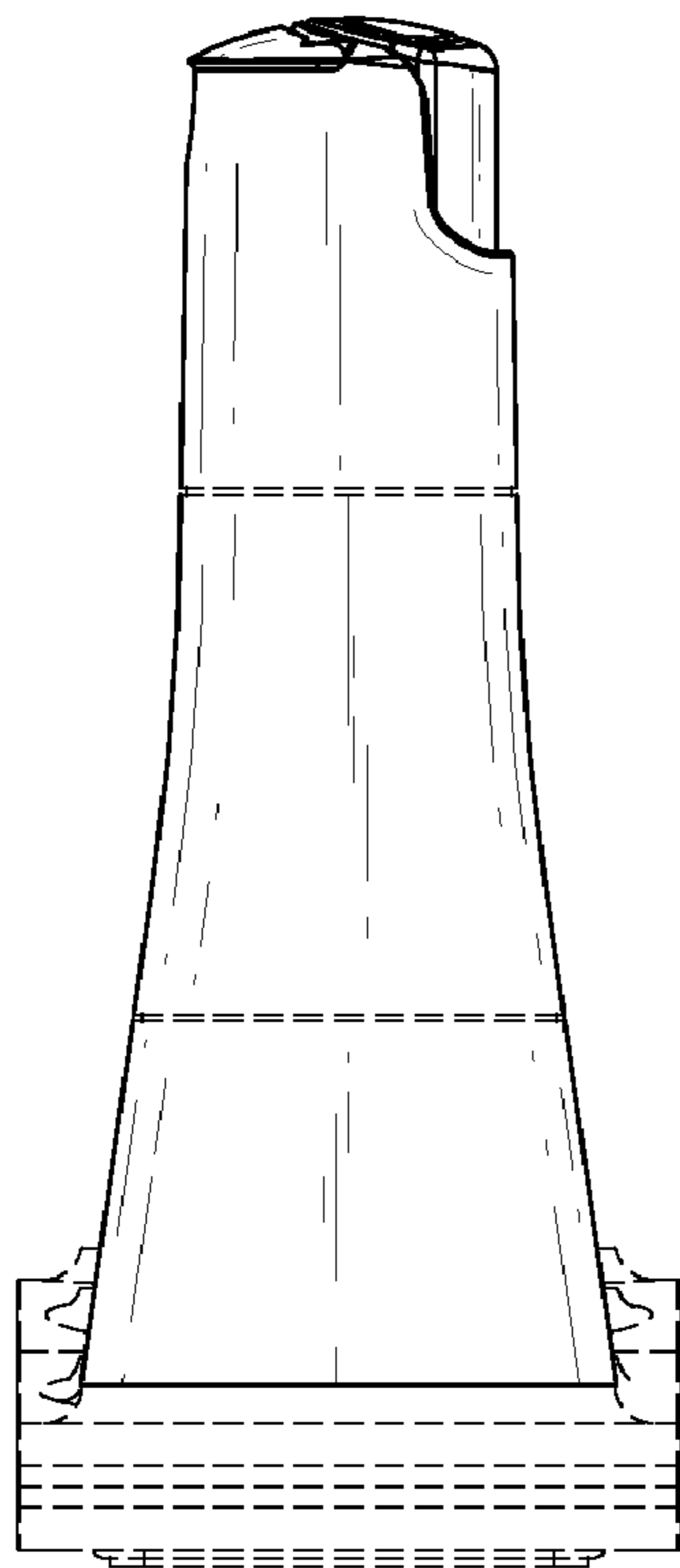


FIG. 6

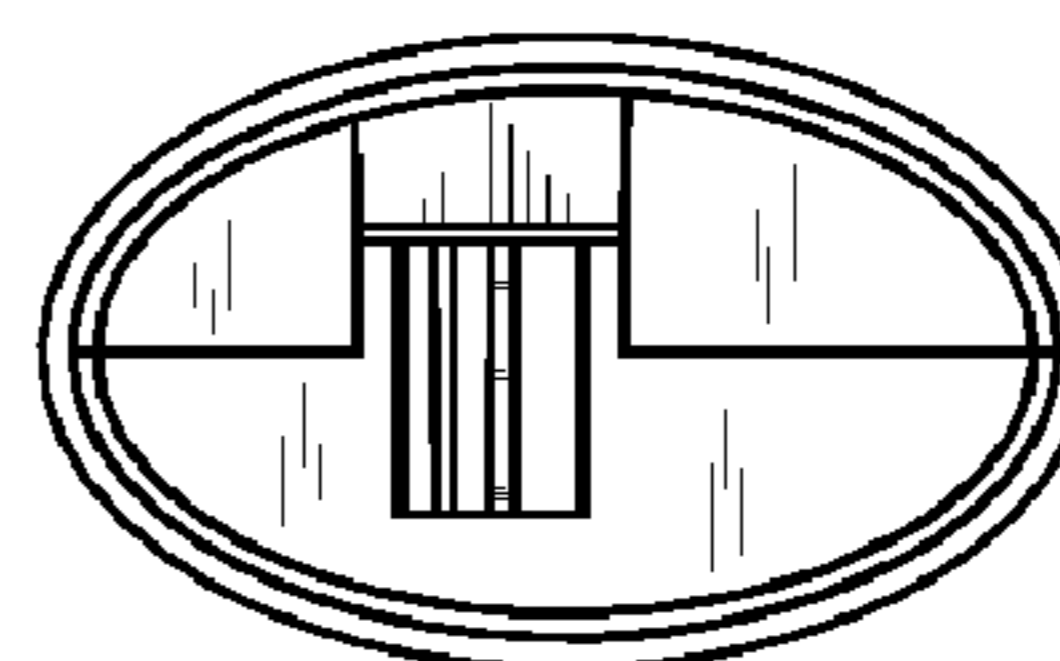


FIG. 7