

US00D562077S

(12) **United States Design Patent**
Bhavnani

(10) **Patent No.:** **US D562,077 S**

(45) **Date of Patent:** **** Feb. 19, 2008**

(54) **MUG WITH HANDLE**

(75) Inventor: **Dilip Bhavnani**, Beverly Hills, CA
(US)

(73) Assignee: **Sun Coast Merchandise Corporation**,
Commerce, CA (US)

(**) Term: **14 Years**

(21) Appl. No.: **29/250,067**

(22) Filed: **Oct. 31, 2006**

(51) **LOC (8) Cl.** **07-01**

(52) **U.S. Cl.** **D7/536; D7/533**

(58) **Field of Classification Search** D7/319,
D7/500, 509, 533, 536, 515, 532, 535, 523,
D7/622; 215/DIG. 7; 220/592.16, 592.17,
220/703, 710.5; 229/400, 402; D9/738,
D9/742, 751; 206/396

See application file for complete search history.

(56) **References Cited**

U.S. PATENT DOCUMENTS

- D202,643 S * 10/1965 Hoyt D7/536
- D243,911 S * 4/1977 Thorud D7/536
- D290,568 S * 6/1987 Feltman et al. D7/536
- D441,610 S * 5/2001 Indekeu D7/536

- D524,107 S 7/2006 El-Saden et al.
- D527,222 S * 8/2006 Liu D7/510
- 2006/0163262 A1 7/2006 El-Saden et al.

OTHER PUBLICATIONS

U.S. Appl. No. 29/245,239, filed Dec. 20, 2005, Bhavnani.
U.S. Appl. No. 29/245,239, Dilip Bhavnani.

* cited by examiner

Primary Examiner—Philip S. Hyder

Assistant Examiner—Cynthia Underwood

(74) *Attorney, Agent, or Firm*—The Soni Law Firm

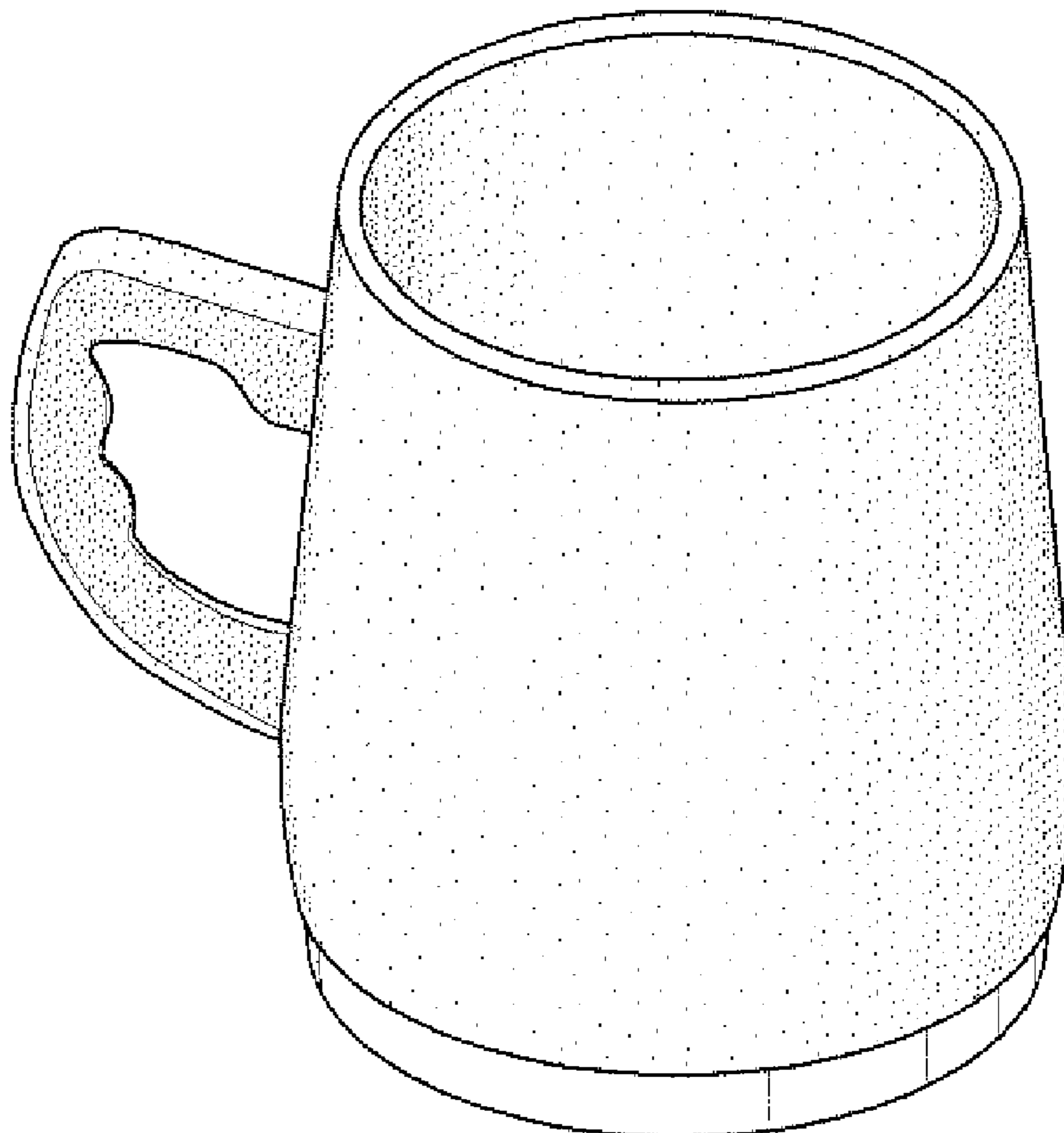
(57) **CLAIM**

The ornamental design for a mug with handle, as shown and described.

DESCRIPTION

FIG. 1 is a front bottom perspective view of my new design;
 FIG. 2 is a back elevational view thereof which is a mirror image of the front view thereof;
 FIG. 3 is a right side elevational view thereof;
 FIG. 4 is a top plan view thereof;
 FIG. 5 is a left side elevational view thereof; and,
 FIG. 6 is a bottom plan view thereof.

1 Claim, 2 Drawing Sheets



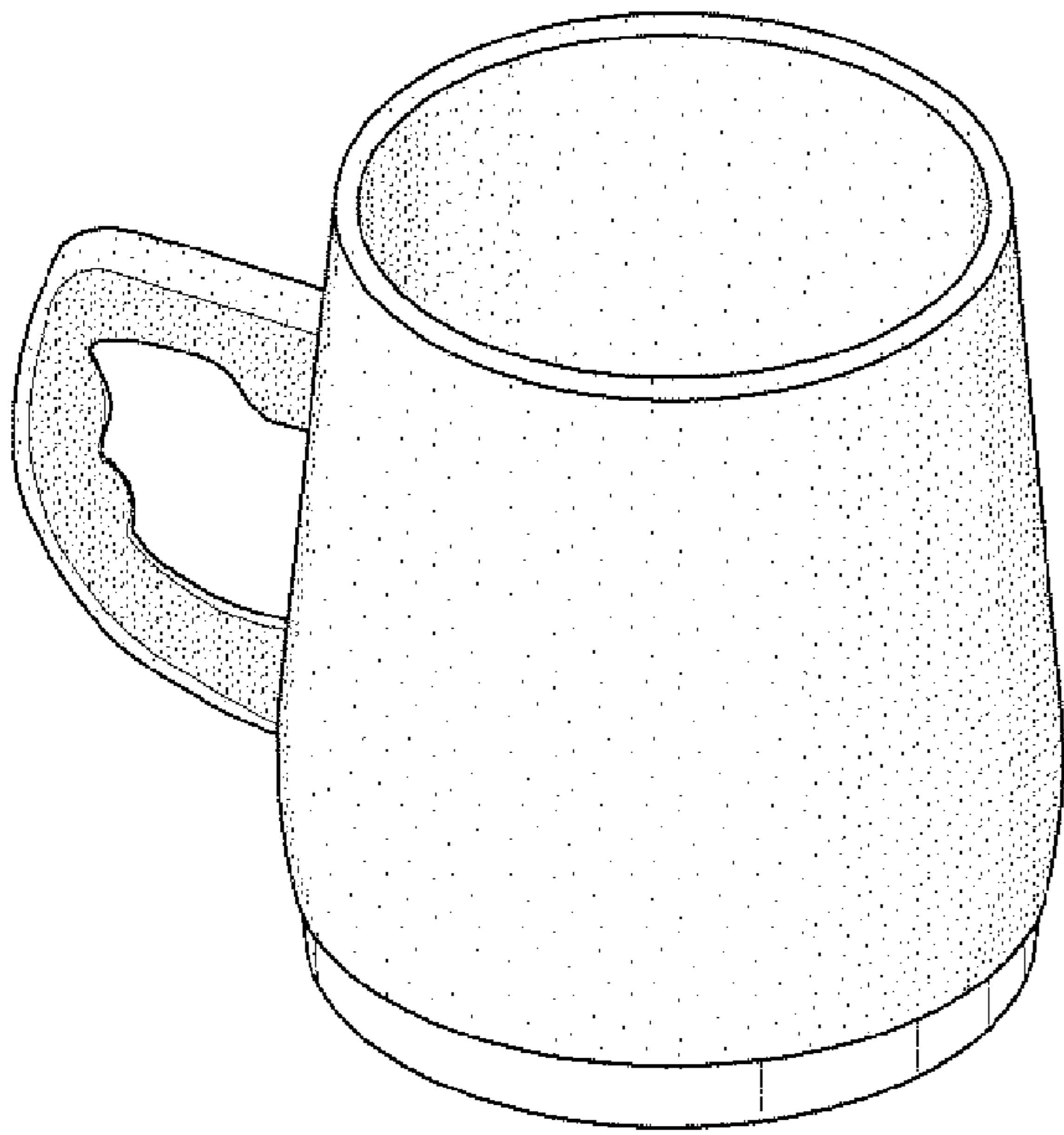


FIG. 1

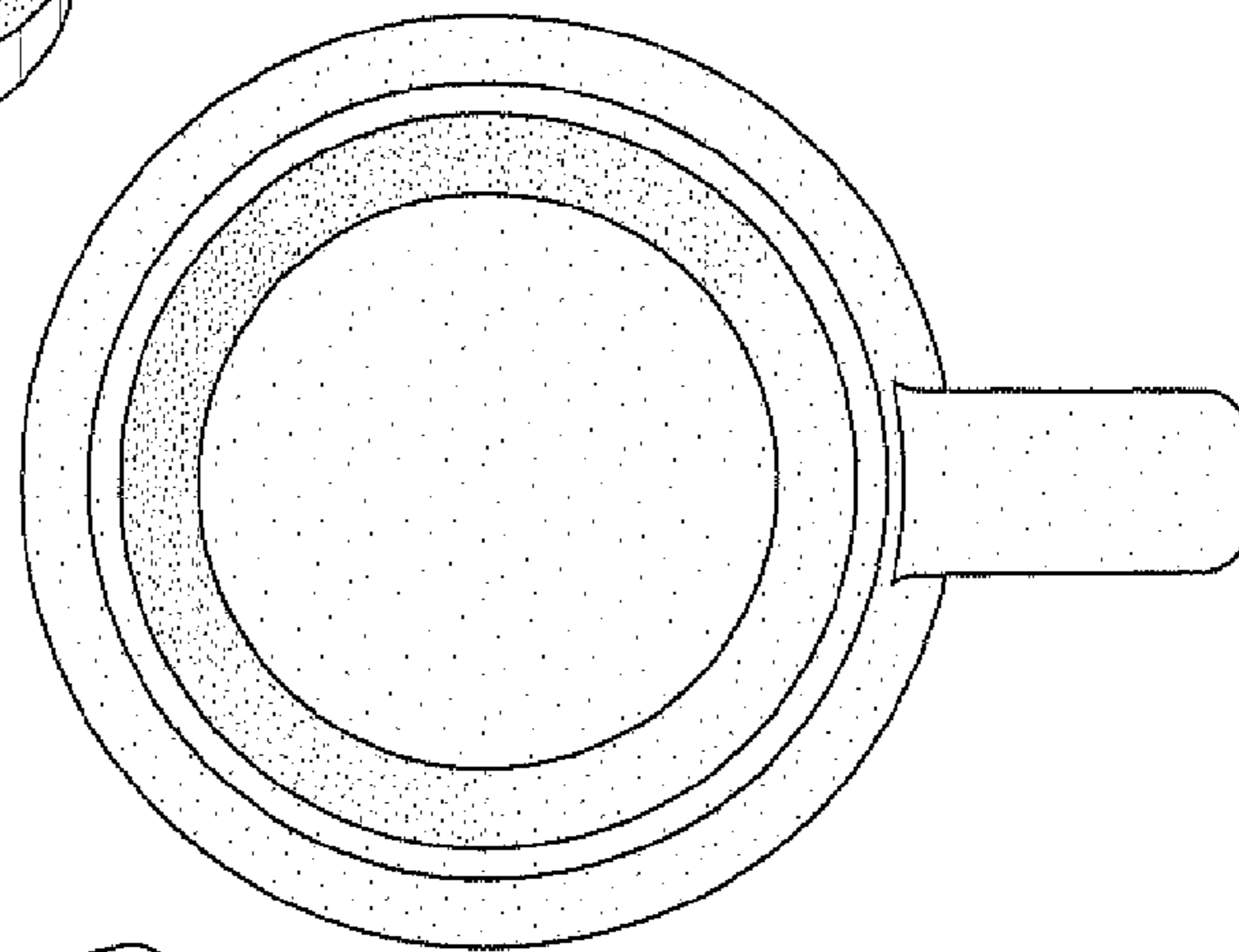


FIG. 4

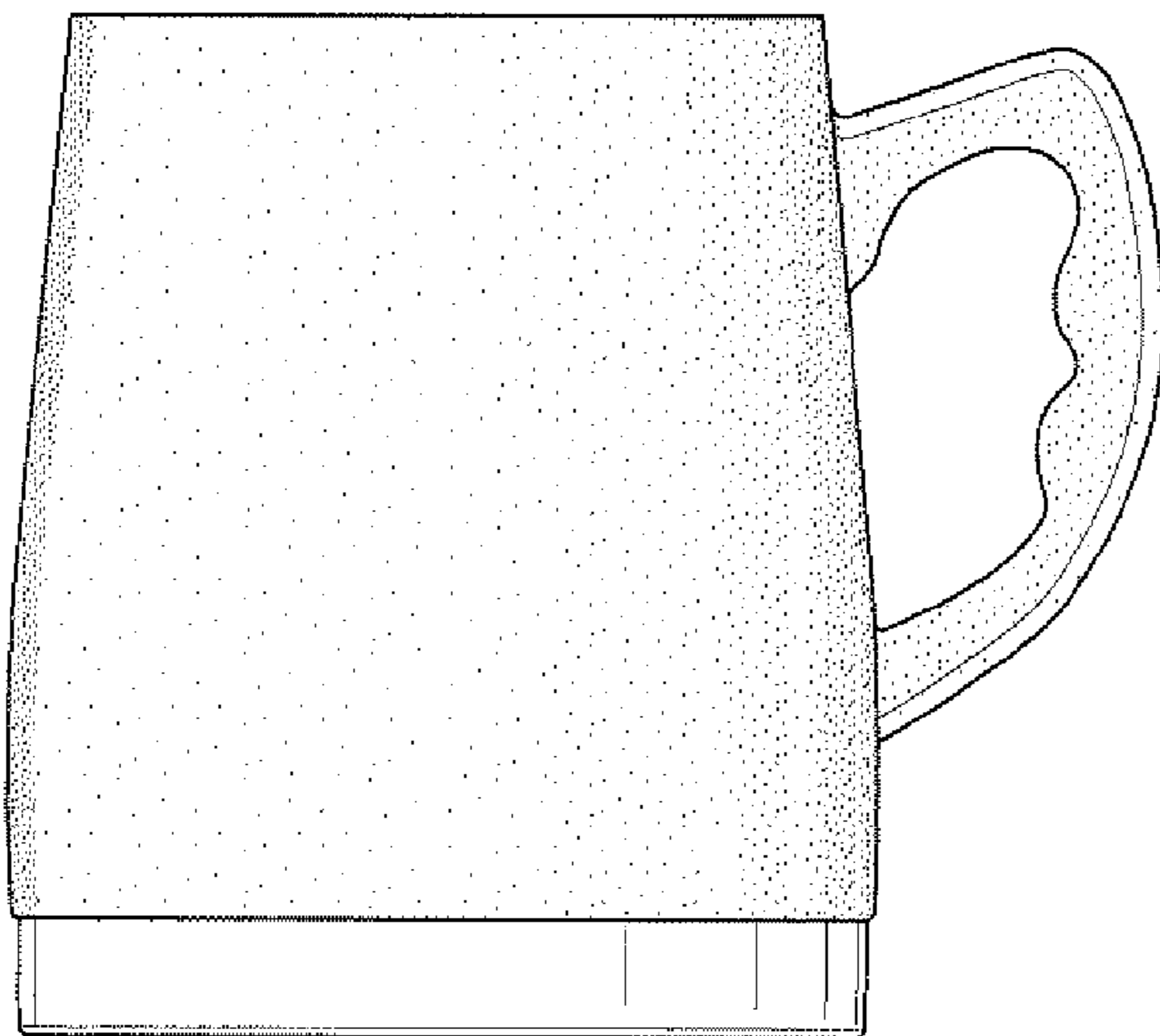


FIG. 2

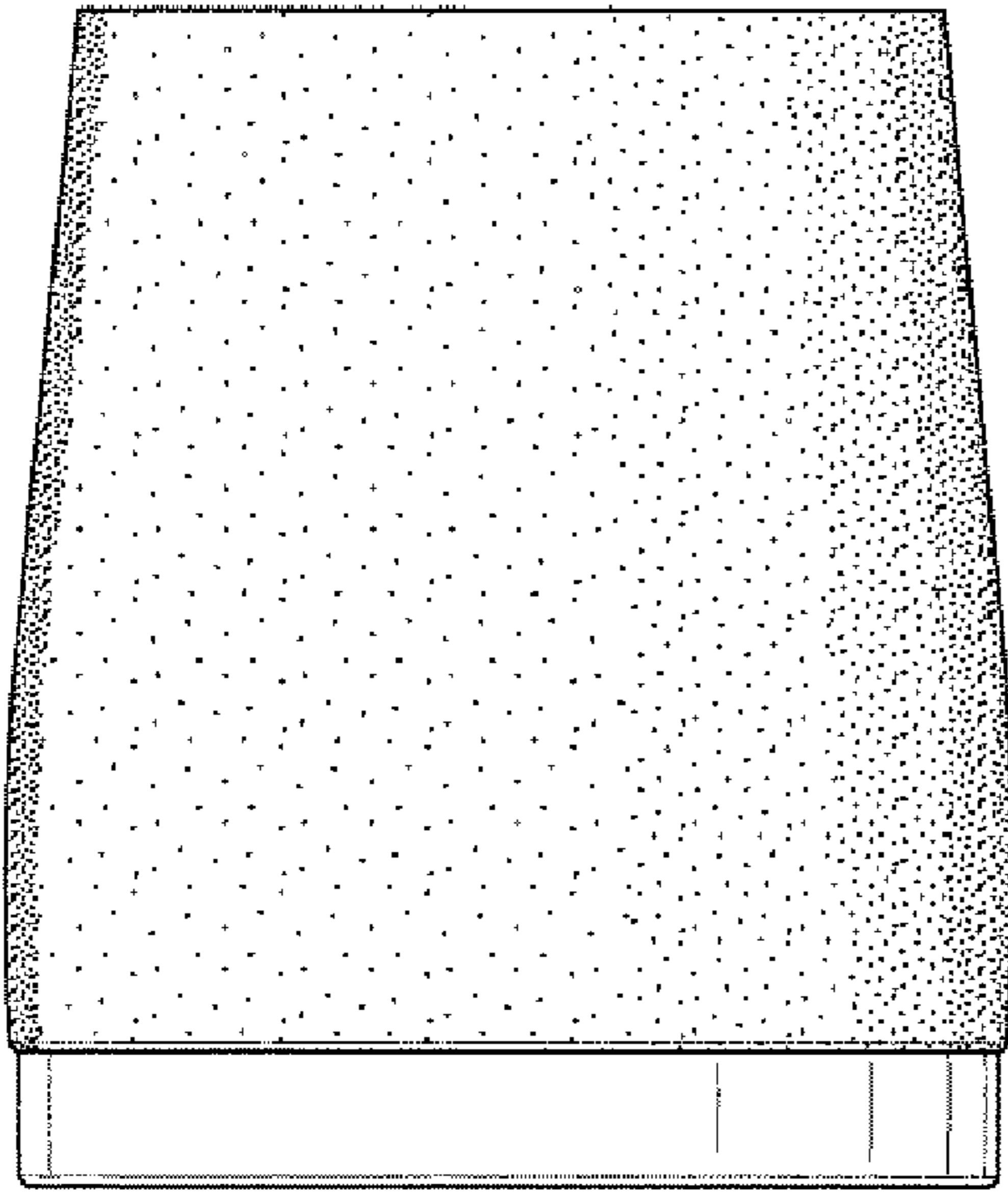


FIG. 3

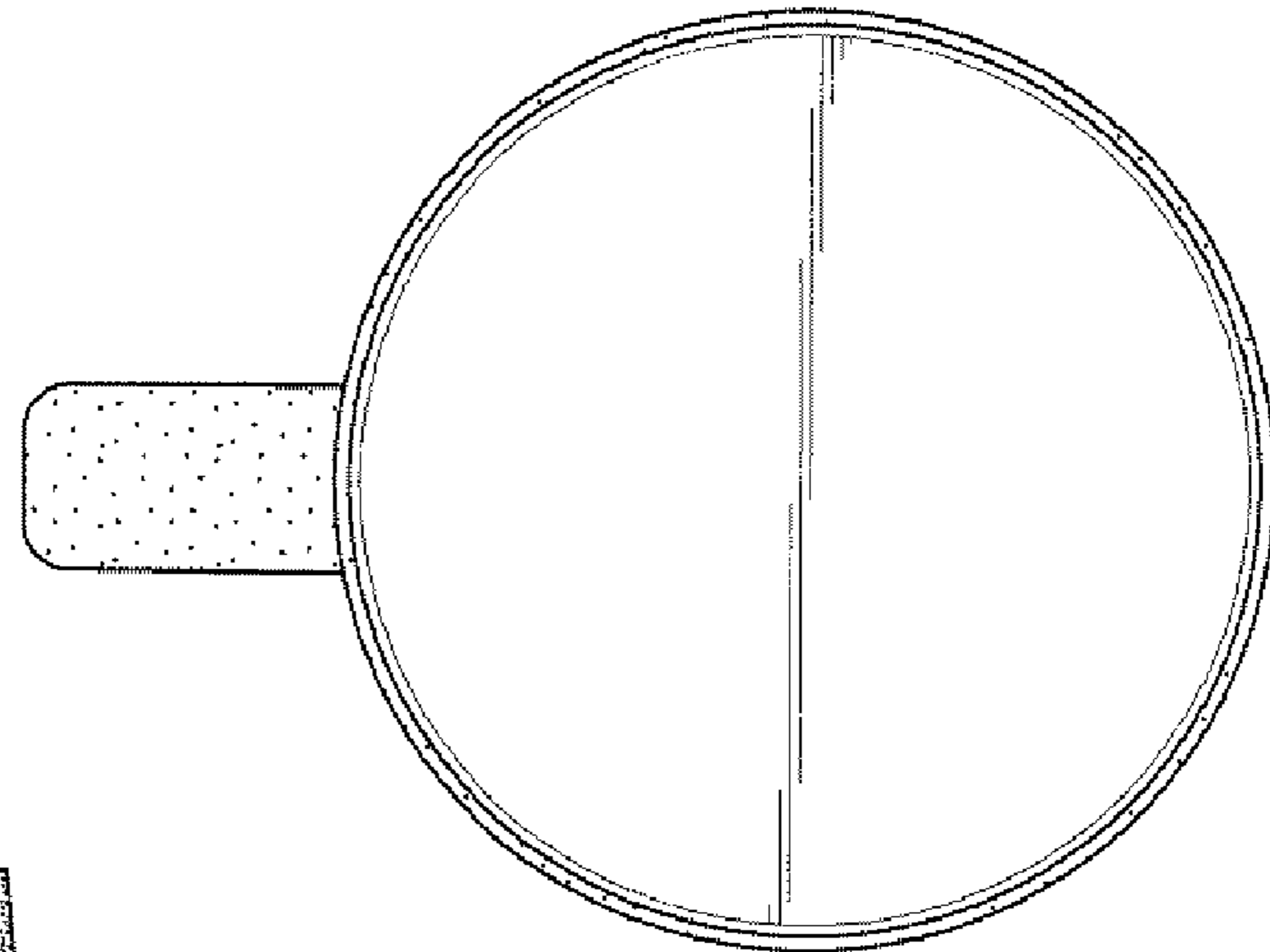


FIG. 4

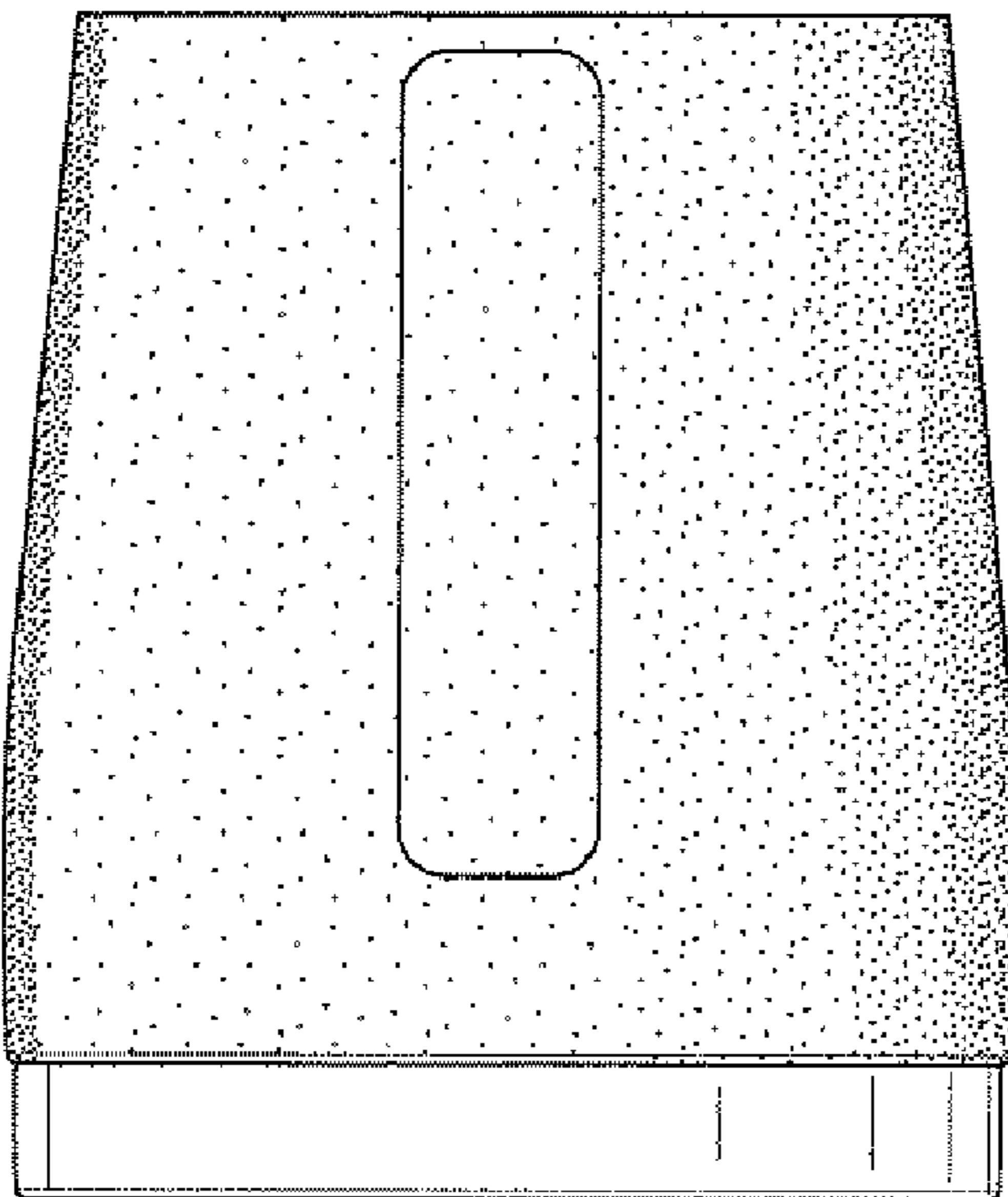


FIG. 5