



US00D562075S

(12) **United States Design Patent**
Mehta

(10) **Patent No.:** **US D562,075 S**

(45) **Date of Patent:** **** Feb. 19, 2008**

(54) **INSULATED DOUBLE PAPER CUP**

(76) **Inventor:** **Sujay Mehta**, P.O. Box 77142, Corona, CA (US) 92877

(**) **Term:** **14 Years**

(21) **Appl. No.:** **29/271,553**

(22) **Filed:** **Jan. 20, 2007**

(51) **LOC (8) Cl.** **07-01**

(52) **U.S. Cl.** **D7/529; D7/523; D7/509**

(58) **Field of Classification Search** D7/396.1, D7/396.2, 500, 509, 510, 511, 523, 524, 526-529, D7/530-533, 536, 538, 540, 560, 565, 584; D9/516, 519, 549, 555, 776, 778; 215/387, 215/DIG. 7; 220/560, 670, 592.16, 592.17, 220/703; 229/400, 406

See application file for complete search history.

(56) **References Cited**

U.S. PATENT DOCUMENTS

D104,342 S *	5/1937	Duncan	D7/529
D108,957 S *	3/1938	Kelly	D7/532
D109,474 S *	5/1938	Connor	D34/1
3,495,736 A *	2/1970	Ragetti	220/670
D376,731 S *	12/1996	Lin	D7/536
D381,869 S *	8/1997	Jeppesen et al.	D7/532
D420,284 S *	2/2000	Sagel	D9/428
D423,879 S *	5/2000	Lin	D7/529
D483,225 S *	12/2003	Gain	D7/512

D486,036 S *	2/2004	Chuang	D7/529
D486,694 S *	2/2004	McMullin	D7/529
D529,762 S *	10/2006	Schweigert et al.	D7/523
D550,510 S *	9/2007	Morton et al.	D7/530
D554,434 S *	11/2007	Morrison et al.	D7/529
2005/0236468 A1 *	10/2005	Sadlier	229/403

* cited by examiner

Primary Examiner—Philip S. Hyder

Assistant Examiner—Cynthia Underwood

(74) *Attorney, Agent, or Firm*—The Patel Law Firm, P.C.;

Natu J. Patel

(57) **CLAIM**

The ornamental design for insulated double paper cup, as shown and described.

DESCRIPTION

FIG. 1 is a perspective view of the design;

FIG. 2 is a front elevational view of the design;

FIG. 3 is a rear side elevational view of the design;

FIG. 4 is a left side elevational view of the design;

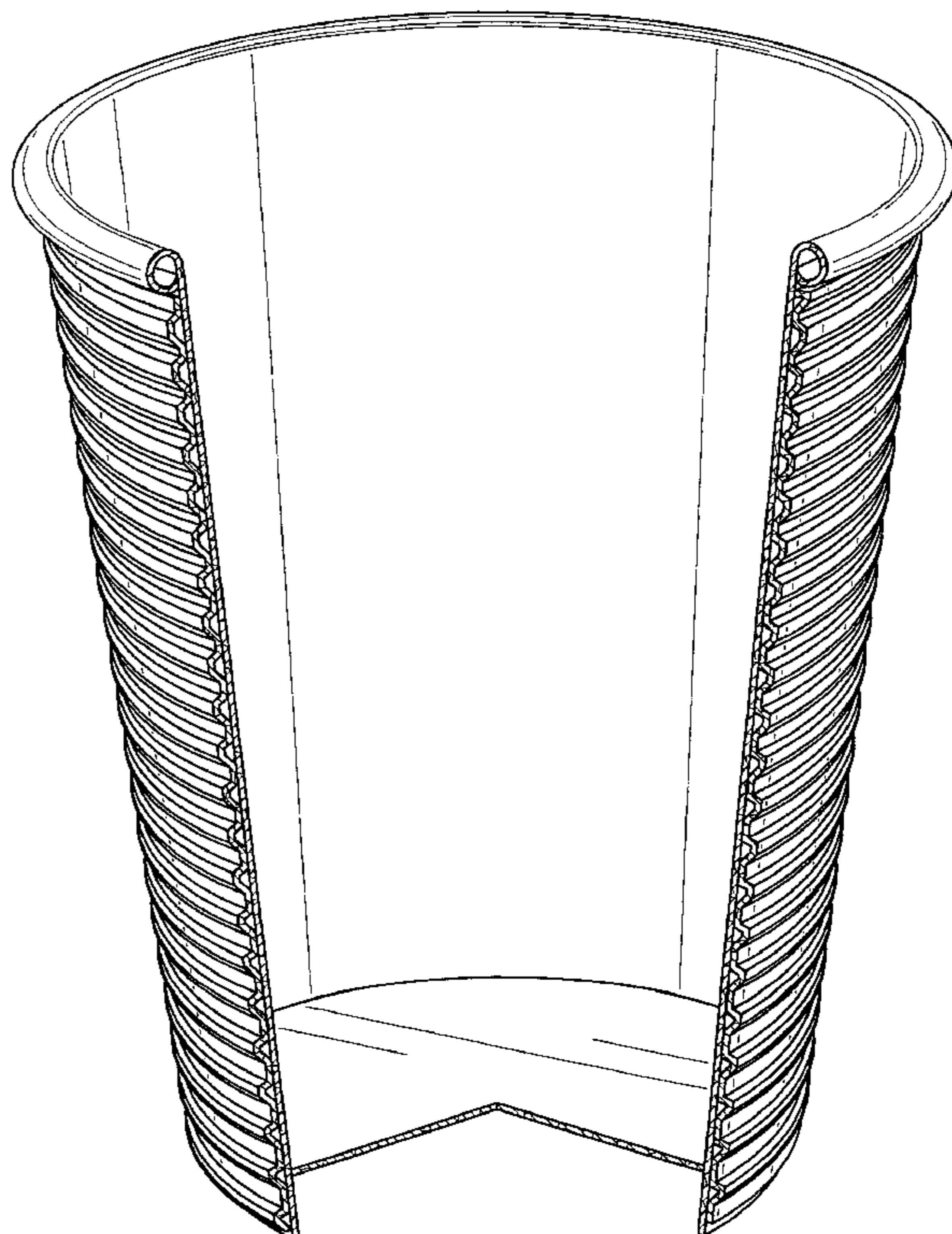
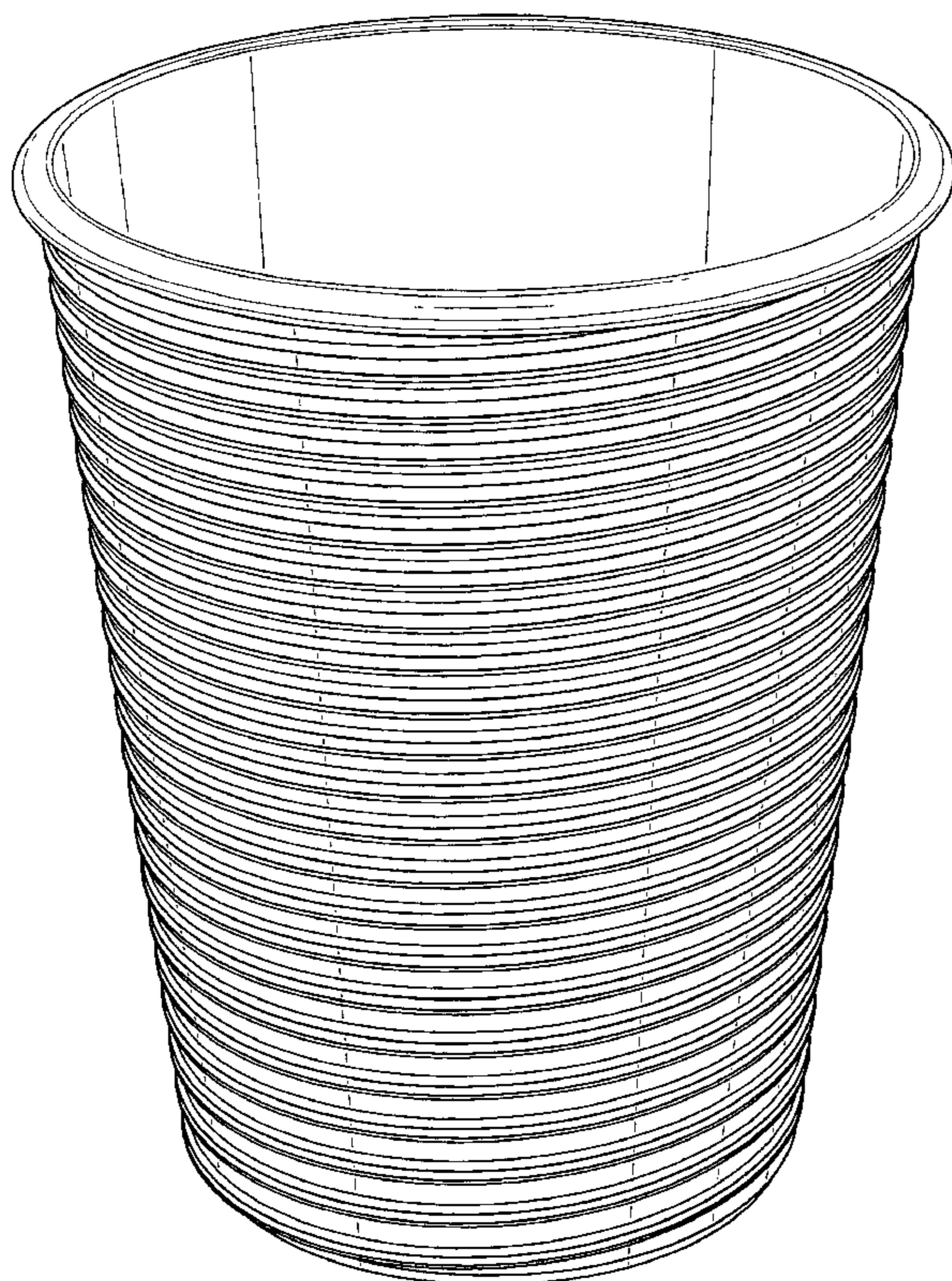
FIG. 5 is a right elevational view of the design;

FIG. 6 is a top plan view of the design; and

FIG. 7 is a bottom plan view of the design; and,

FIG. 8 is a cross sectional view of the design.

1 Claim, 8 Drawing Sheets



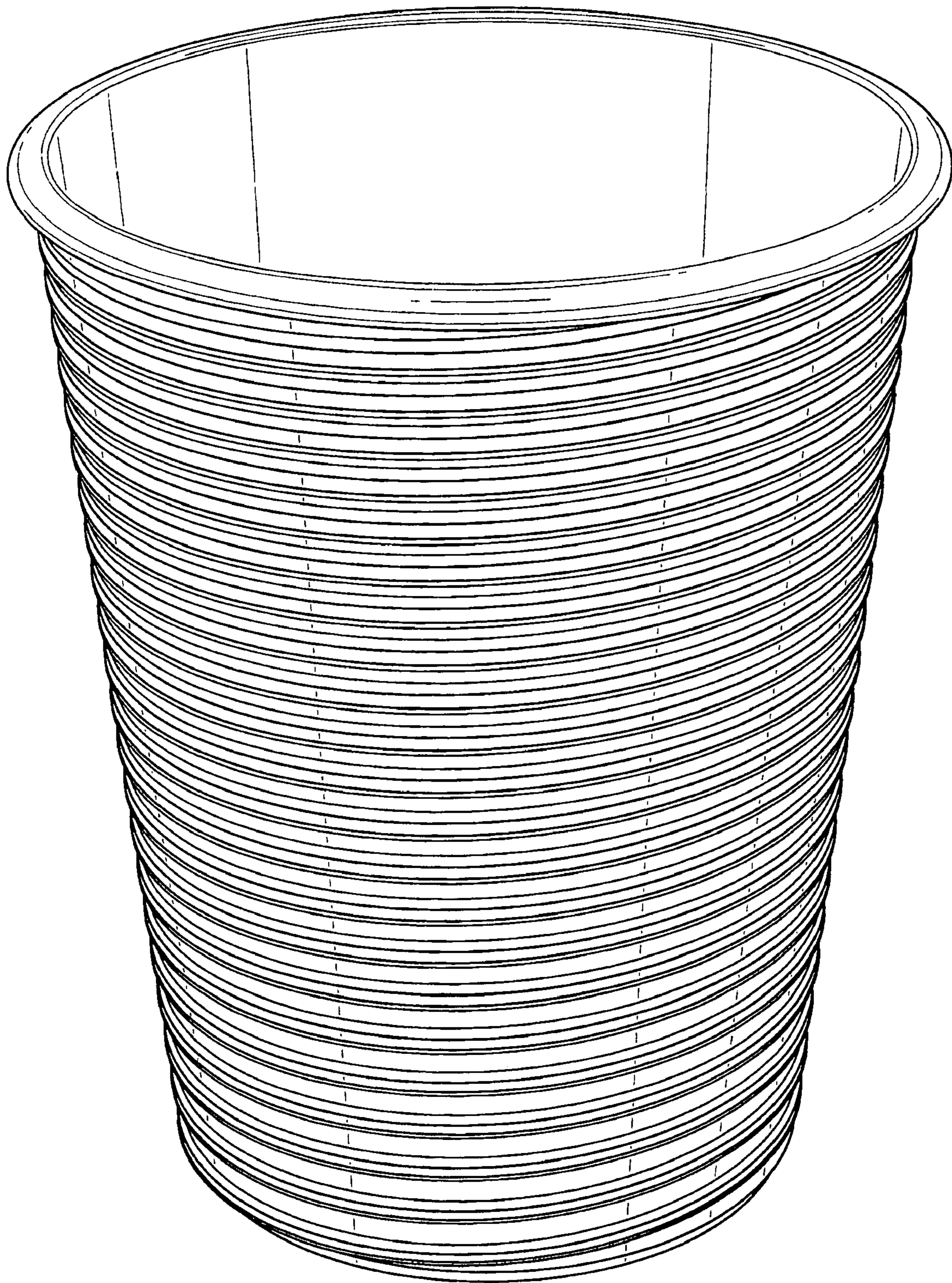


FIG. 1

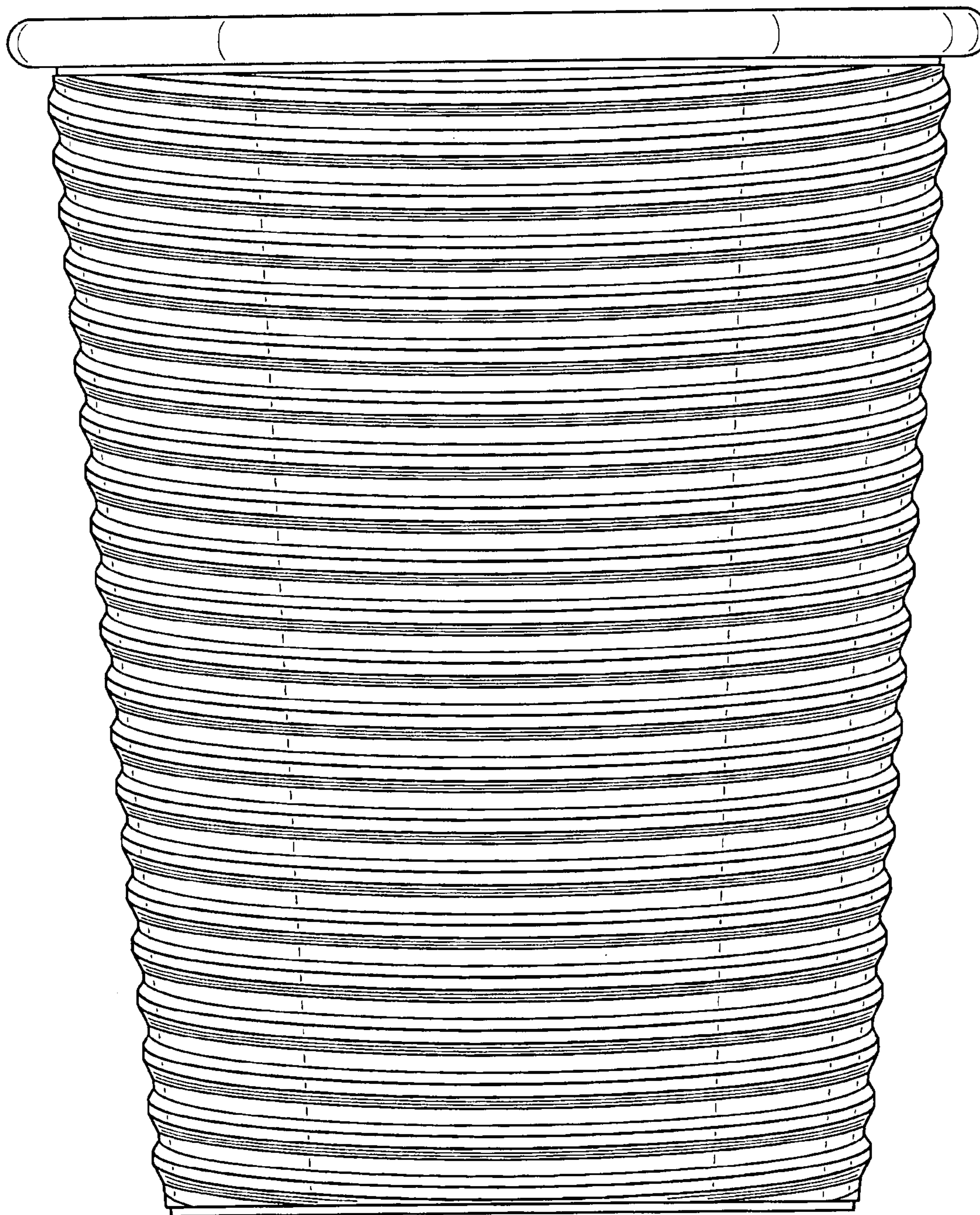


FIG. 2

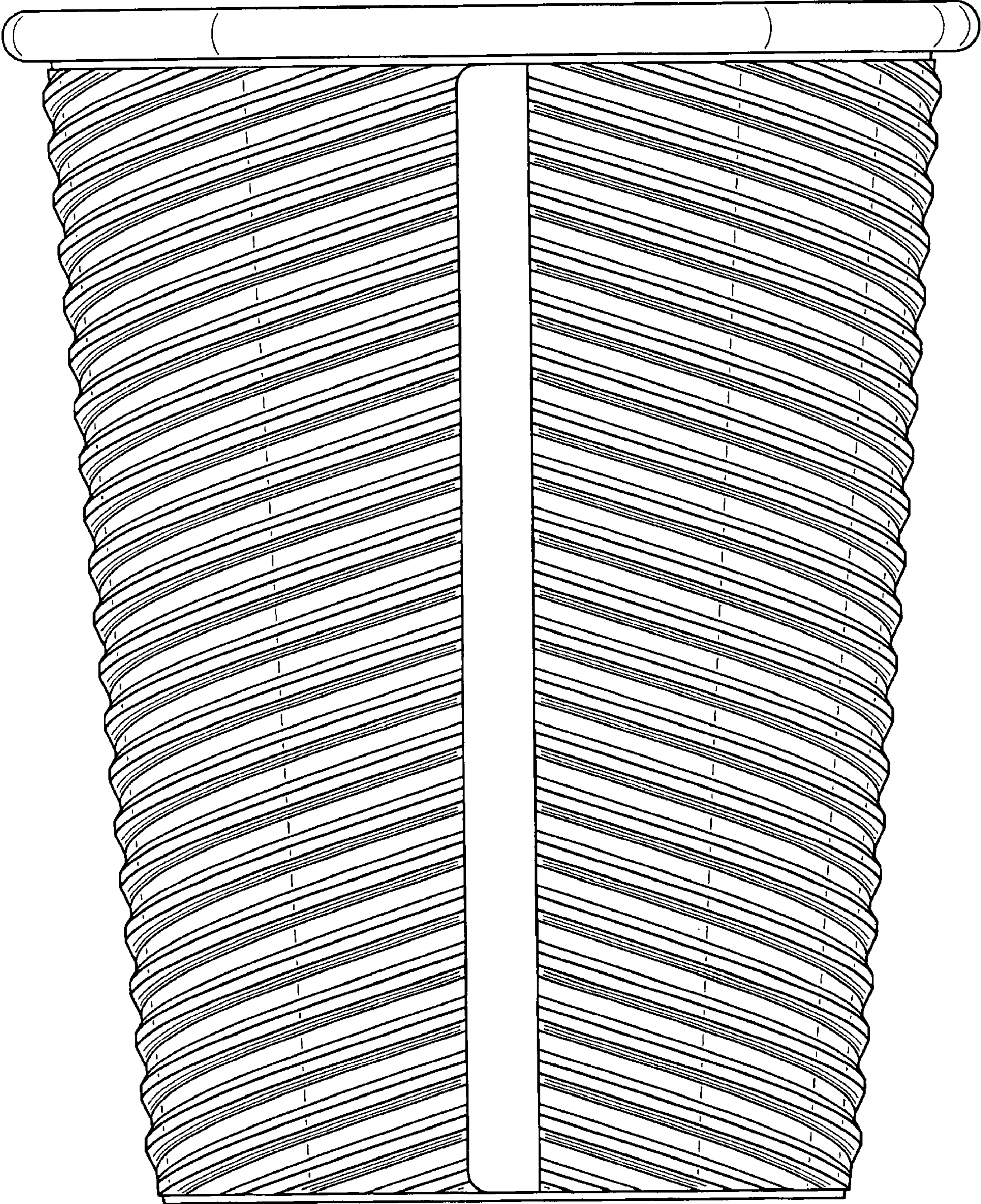


FIG. 3

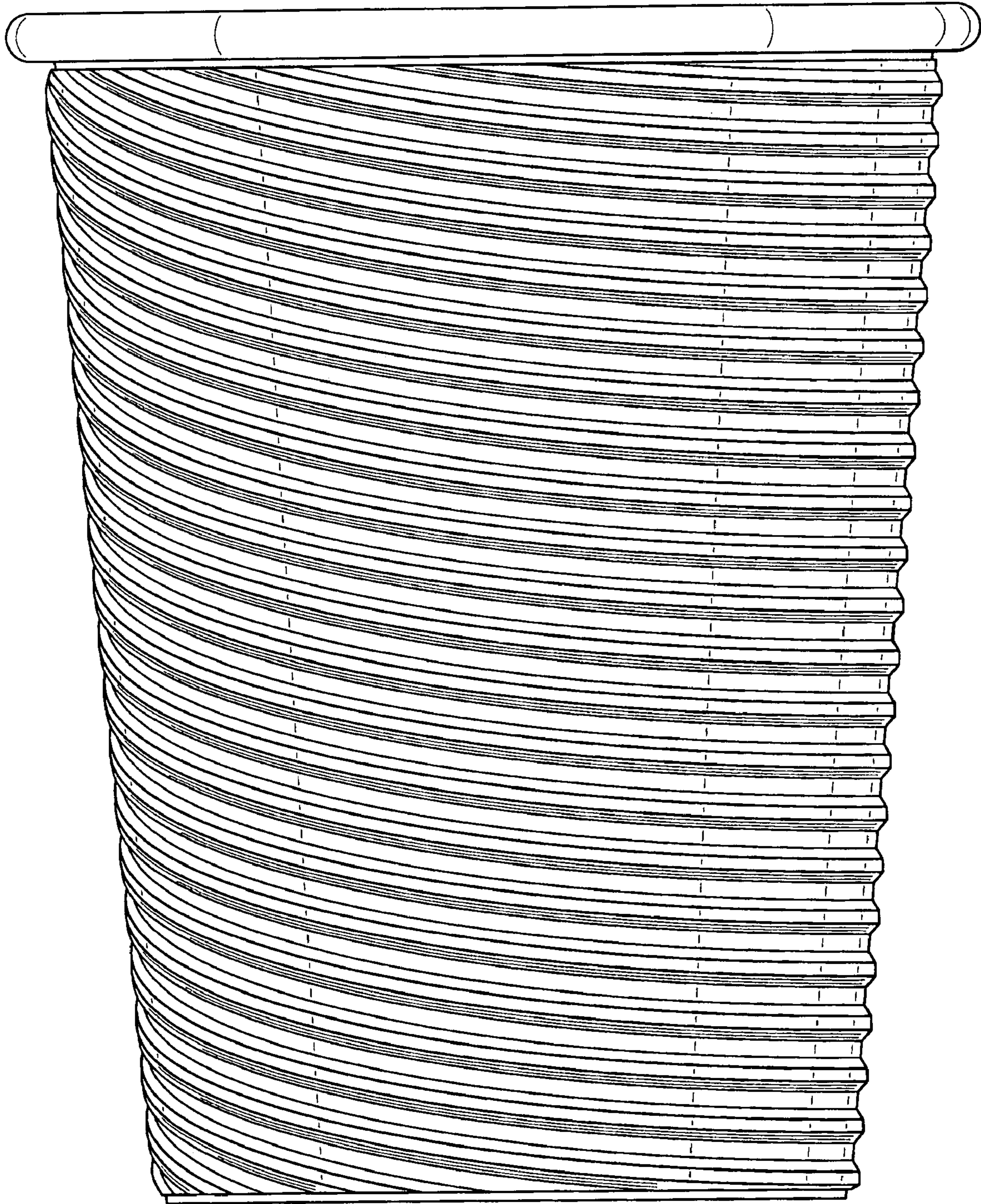


FIG. 4

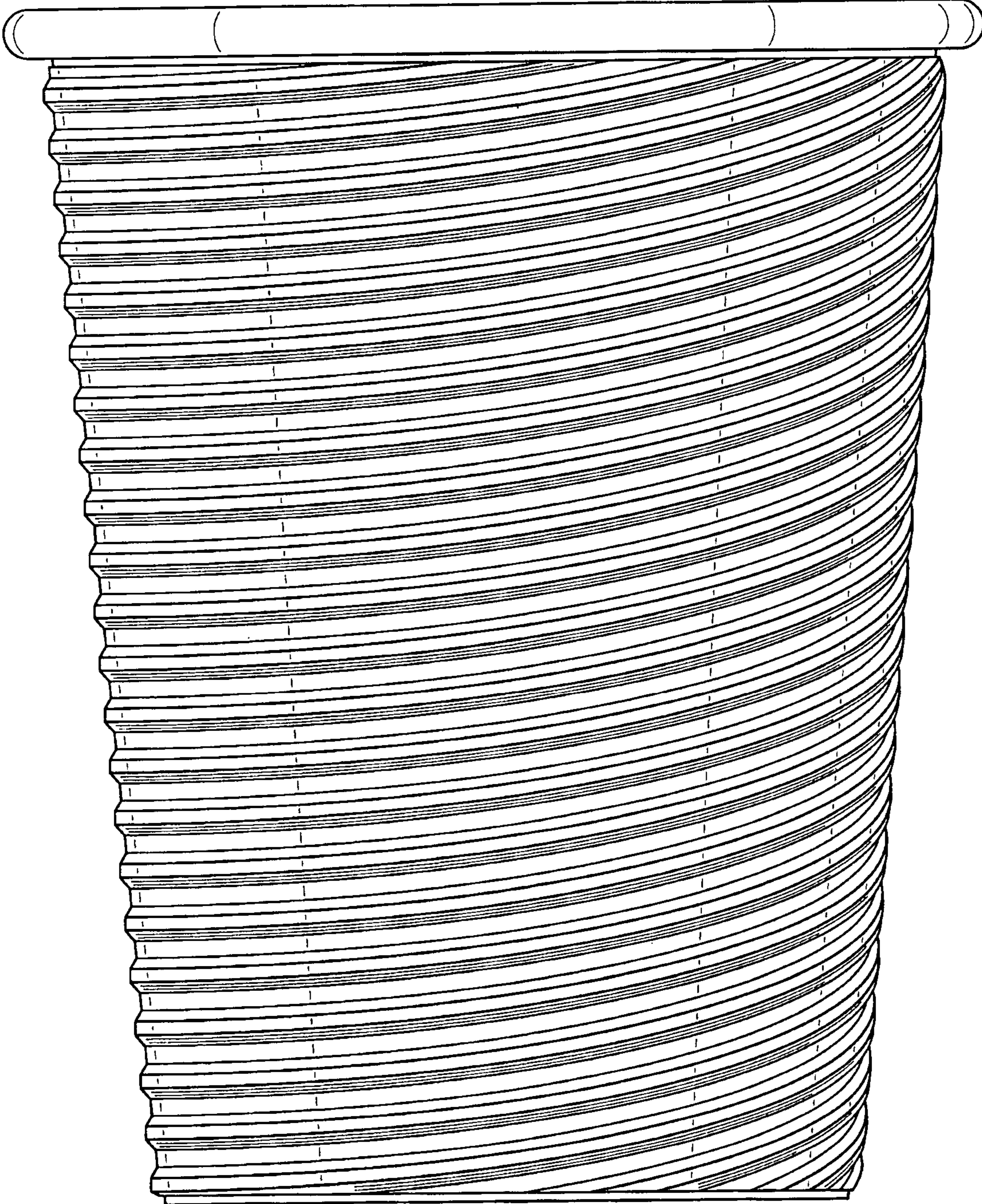


FIG. 5

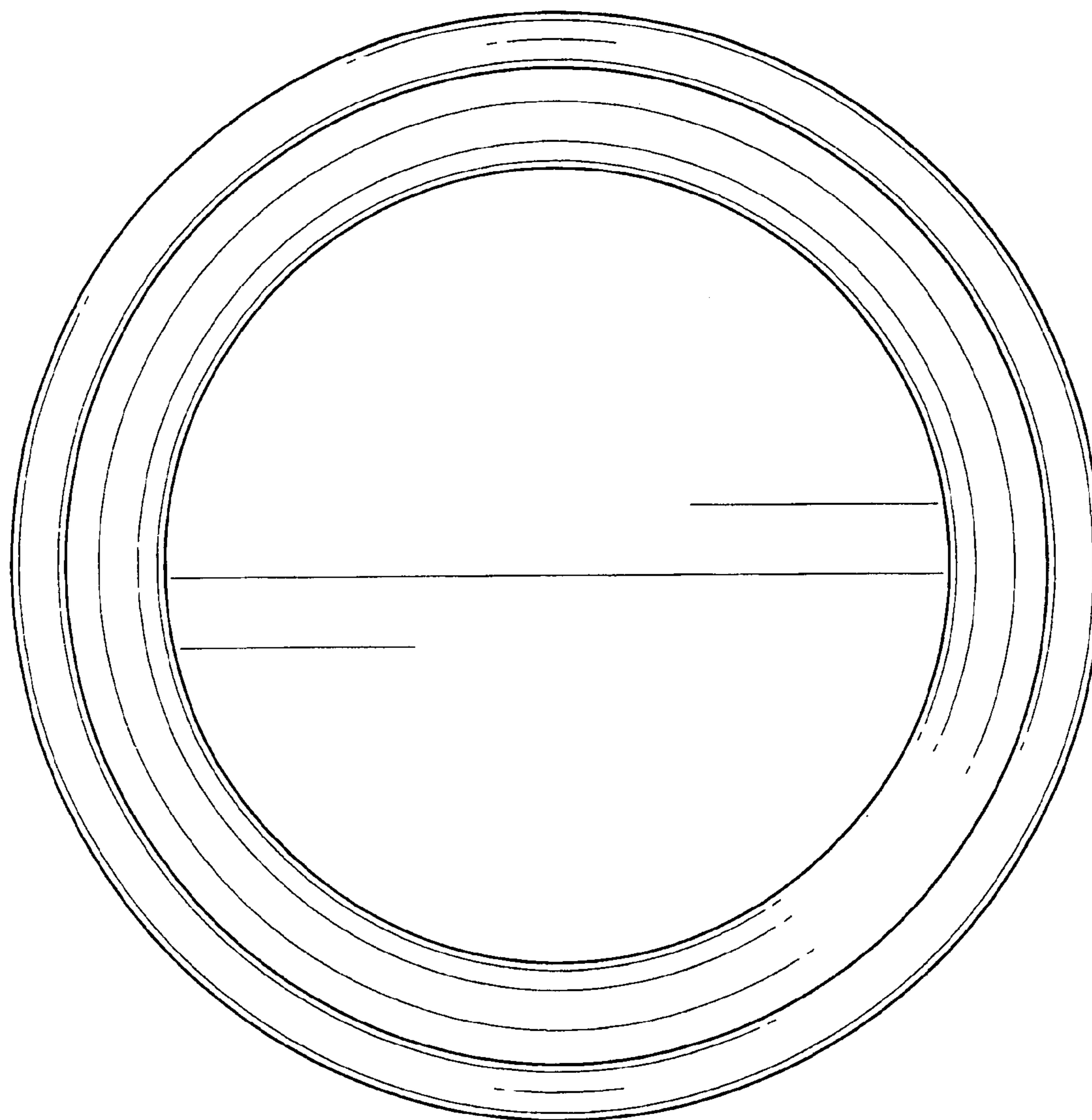


FIG. 6

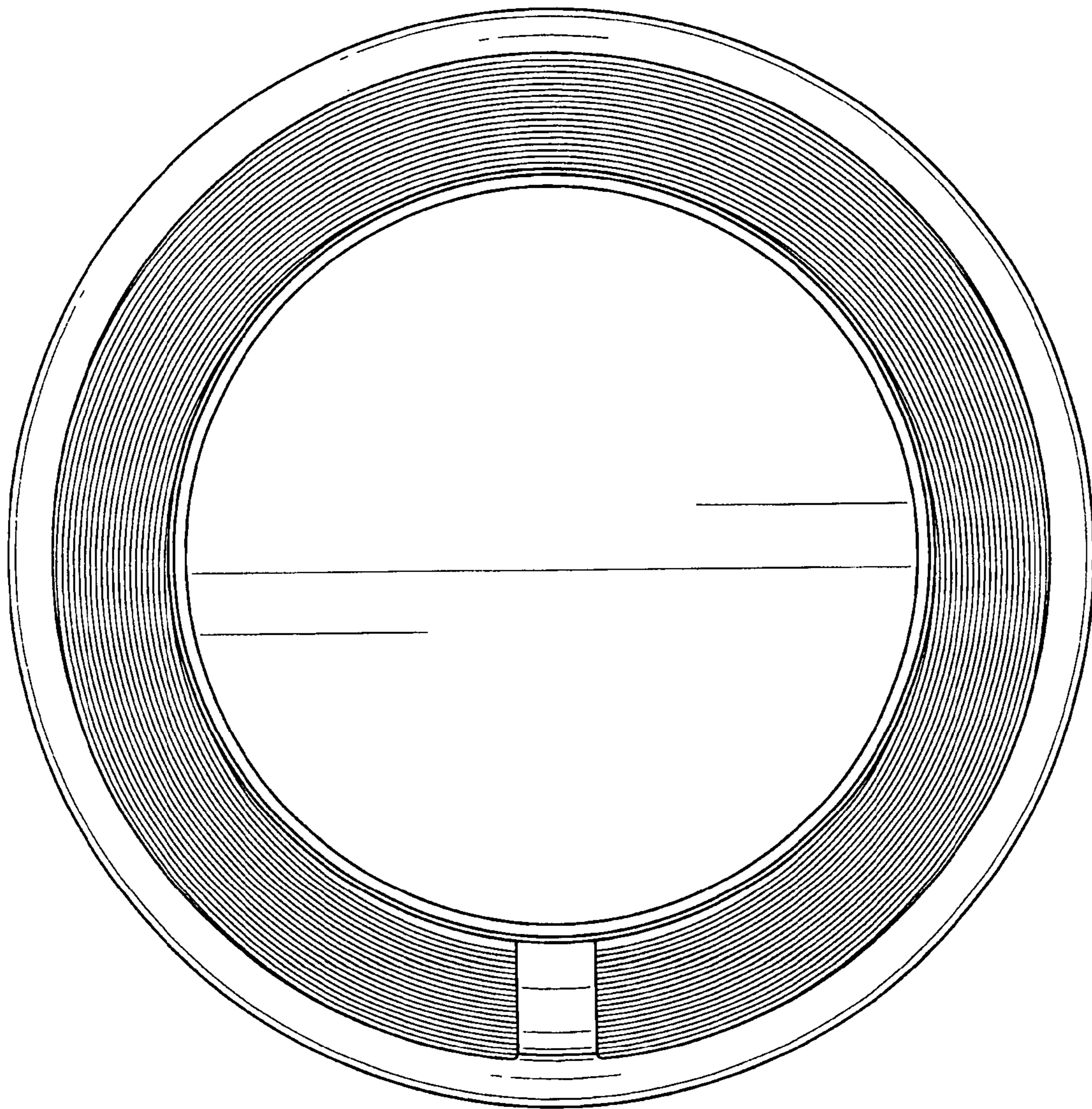


FIG. 7

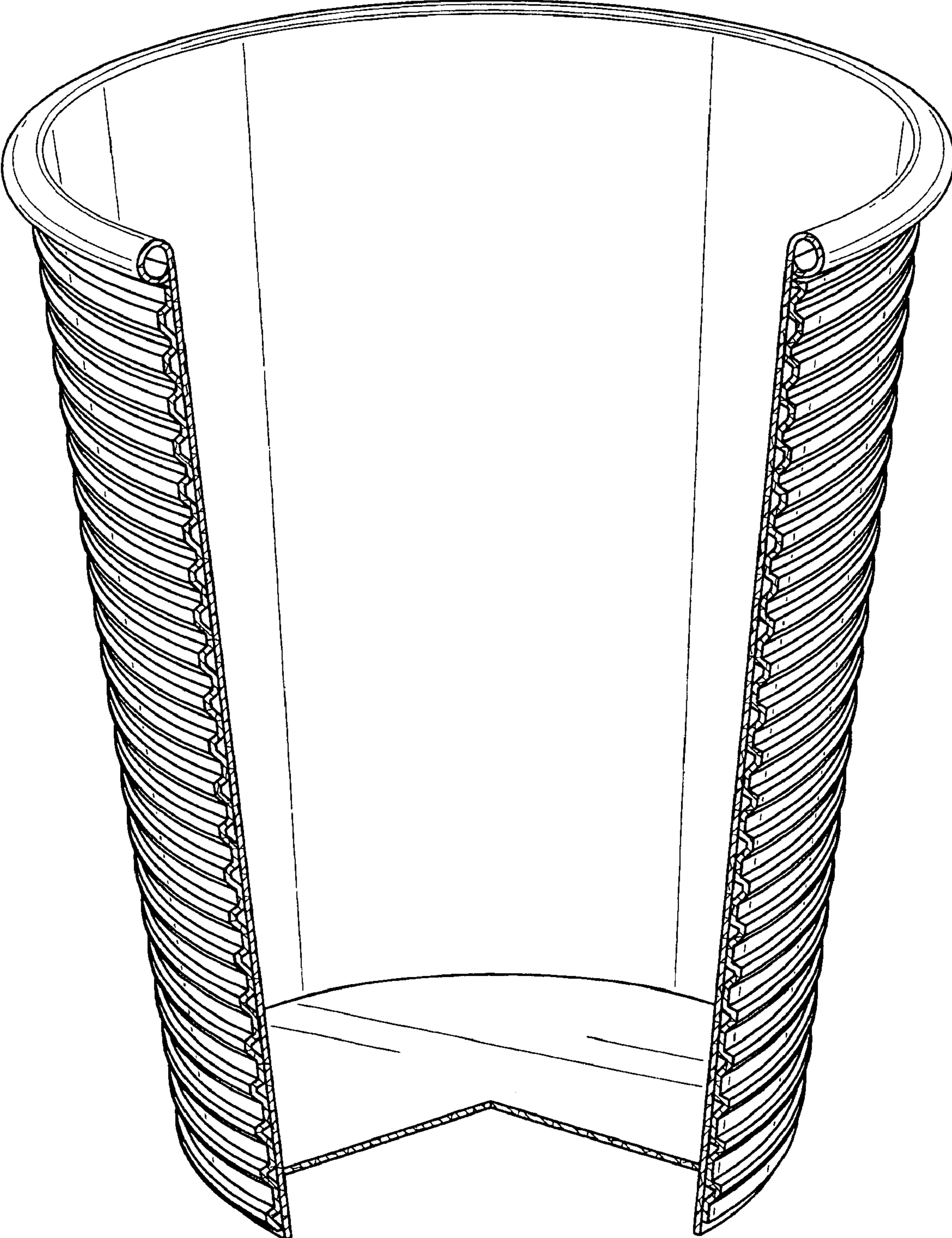


FIG. 8