



US00D562074S

(12) **United States Design Patent**  
**Mansfield**

(10) **Patent No.:** **US D562,074 S**

(45) **Date of Patent:** **\*\* Feb. 19, 2008**

(54) **DRINKING CUP**

D240,286 S \* 6/1976 Saraneva ..... D7/509

(Continued)

(76) Inventor: **Bryan D. Mansfield**, c/o Hurricane Shooters LLC, 2306 60th Dr. East, Bradenton, FL (US) 34203

*Primary Examiner*—Philip S. Hyder  
*Assistant Examiner*—Cynthia Underwood  
(74) *Attorney, Agent, or Firm*—Mark Douma

(\*\*) Term: **14 Years**

(21) Appl. No.: **29/250,896**

(57) **CLAIM**

(22) Filed: **Dec. 4, 2006**

I claim the ornamental design for a drinking cup, as shown and described.

**Related U.S. Application Data**

**DESCRIPTION**

(63) Continuation-in-part of application No. 29/250,579, filed on Nov. 21, 2006, which is a continuation-in-part of application No. 29/244,076, filed on Dec. 5, 2005, now Pat. No. Des. 532,257, and a continuation-in-part of application No. 11/294,640, filed on Dec. 5, 2005, said application No. 29/244,076 is a continuation-in-part of application No. 11/255,572, filed on Oct. 21, 2005, said application No. 11/294,640 is a continuation-in-part of application No. 11/255,572, application No. 29/250,896, which is a continuation-in-part of application No. 11/294,640.

FIG. 1 is a perspective view of a drinking cup showing my new design;

FIG. 2 is a side elevation view thereof, with a flat side oriented toward the viewer, all other such flat-side views being the same;

FIG. 3 is a side elevation view thereof, with a vertex oriented toward the viewer, all other such vertex views being the same;

FIG. 4 is a top plan view thereof;

FIG. 5 is a bottom plan view thereof;

FIG. 6 is a sectional view thereof taken along line 6—6 in FIG. 4;

FIG. 7 is a perspective view of another embodiment of my design as shown in FIG. 1, with an added translucent band on the inner rim, said band having a plurality of insubstantial dimples on its bottom edge;

FIG. 8 is a side elevation view thereof, with a flat side oriented toward the viewer, all other such flat-side views being the same;

FIG. 9 is a side elevation view thereof, with a vertex oriented toward the viewer, all other such vertex views being the same;

FIG. 10 is a top plan view thereof;

FIG. 11 is a bottom plan view thereof; and,

FIG. 12 is a sectional view thereof taken along line 12—12 in FIG. 10.

(51) **LOC (8) Cl.** ..... **07-01**

(52) **U.S. Cl.** ..... **D7/523; D7/509**

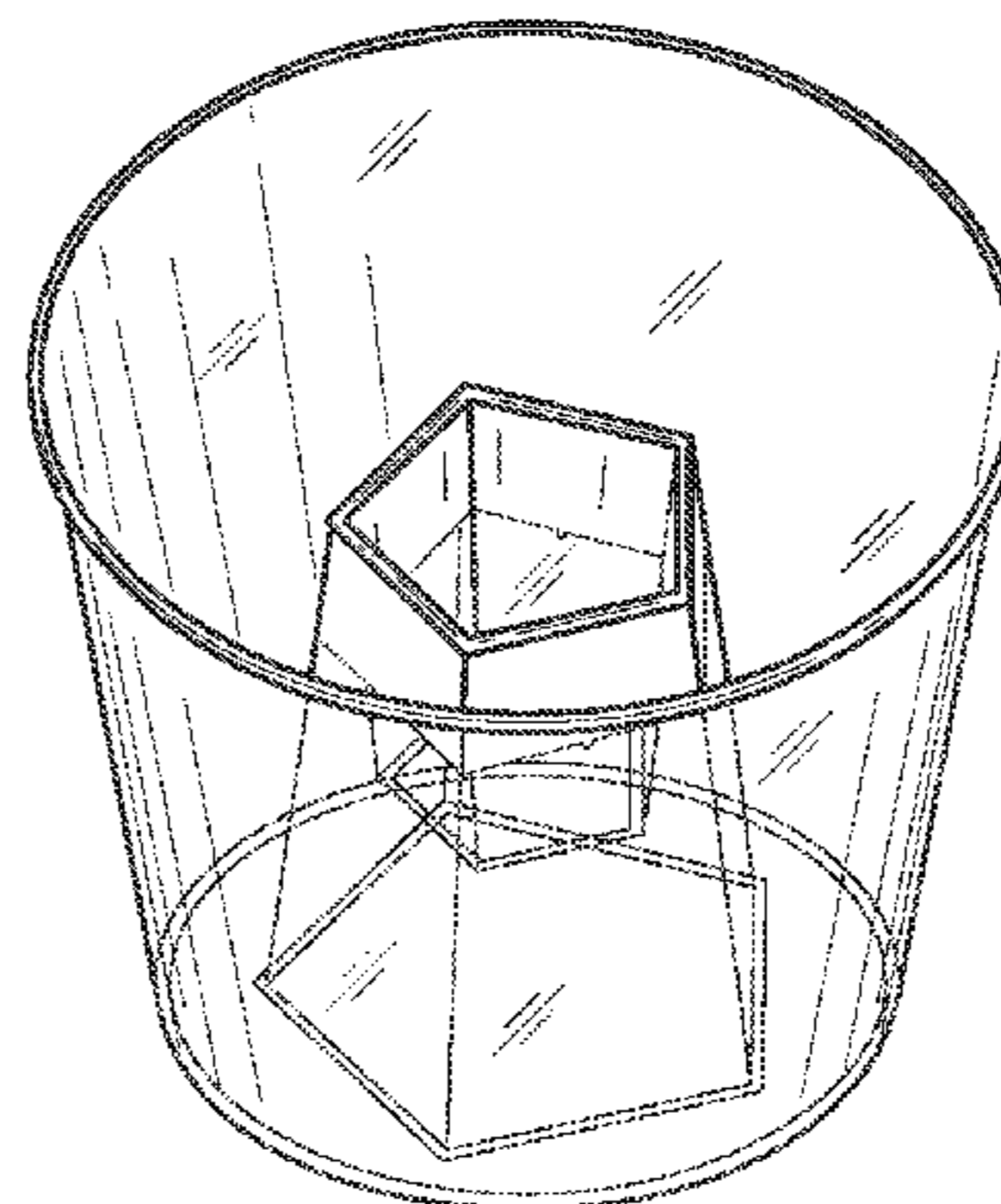
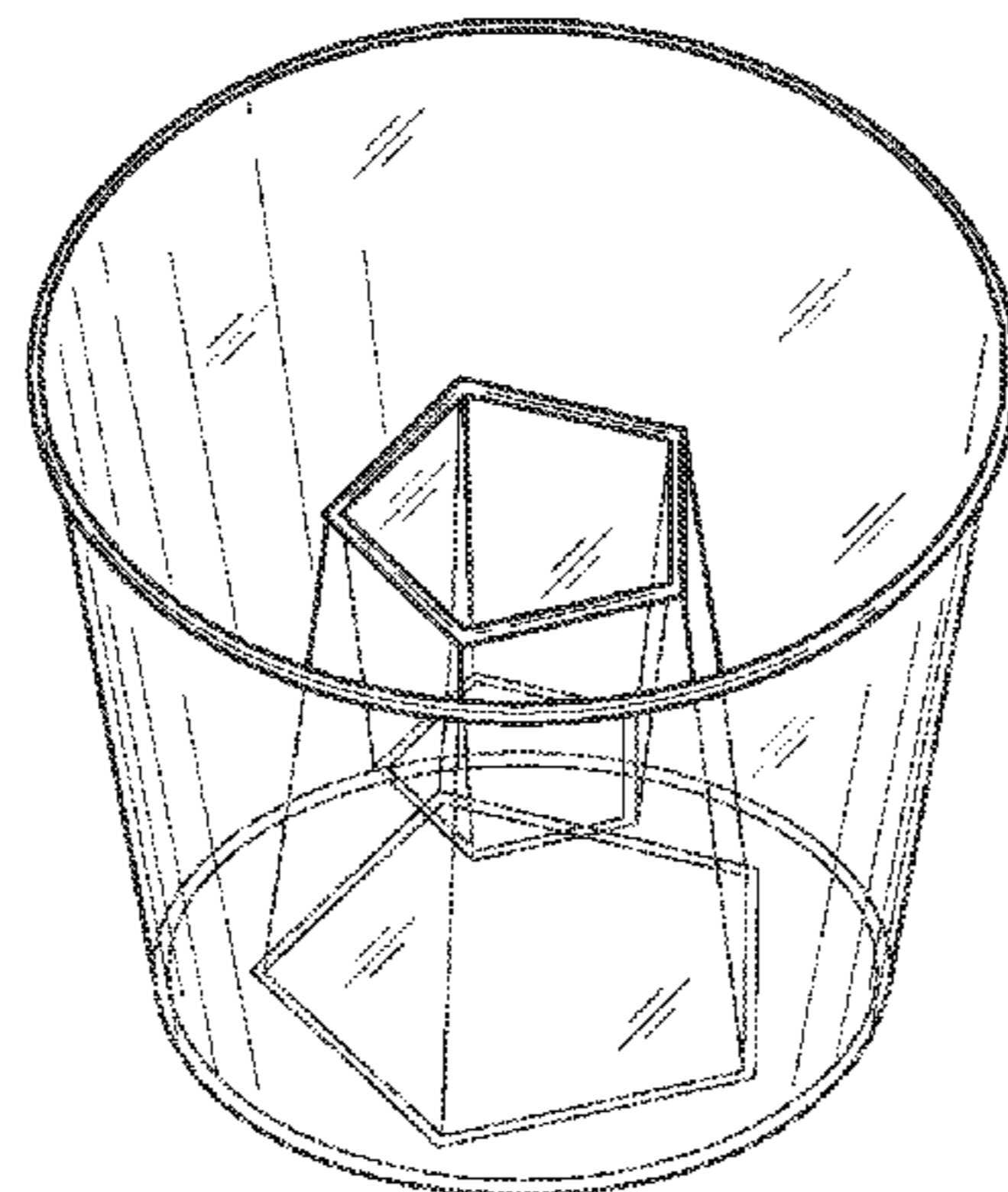
(58) **Field of Classification Search** ..... D7/396.2, D7/500, 509, 510, 523, 524, 526–528, 530–532, D7/540, 565, 584, 900, 513; D9/500, 502, D9/516, 519, 549, 555, 776, 778; D34/1; 215/10, 387, DIG. 7; 220/495.04, 560, 592.16, 220/592.17, 703; 226/406; 229/400; 383/110  
See application file for complete search history.

(56) **References Cited**

**U.S. PATENT DOCUMENTS**

- 1,009,406 A \* 11/1911 Graham ..... 220/592.17
- 1,168,027 A \* 1/1916 Nirdlinger ..... 73/426
- D99,531 S \* 5/1936 Sterling ..... D7/513
- D222,375 S \* 10/1971 Bencik ..... D7/523
- 3,781,164 A \* 12/1973 McCaffery ..... 431/291
- D240,285 S \* 6/1976 Sarpaneva ..... D7/509

**1 Claim, 8 Drawing Sheets**



# US D562,074 S

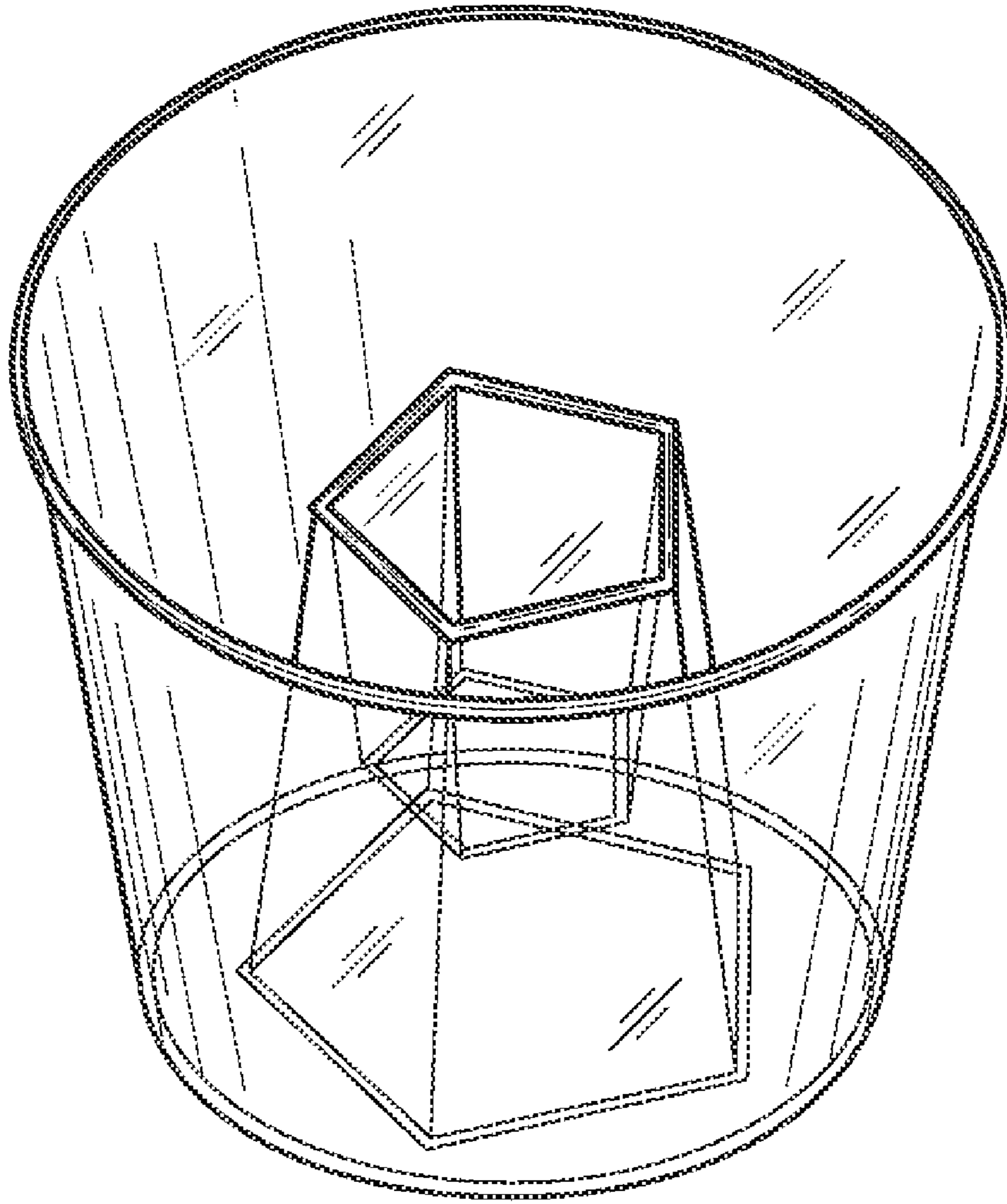
Page 2

---

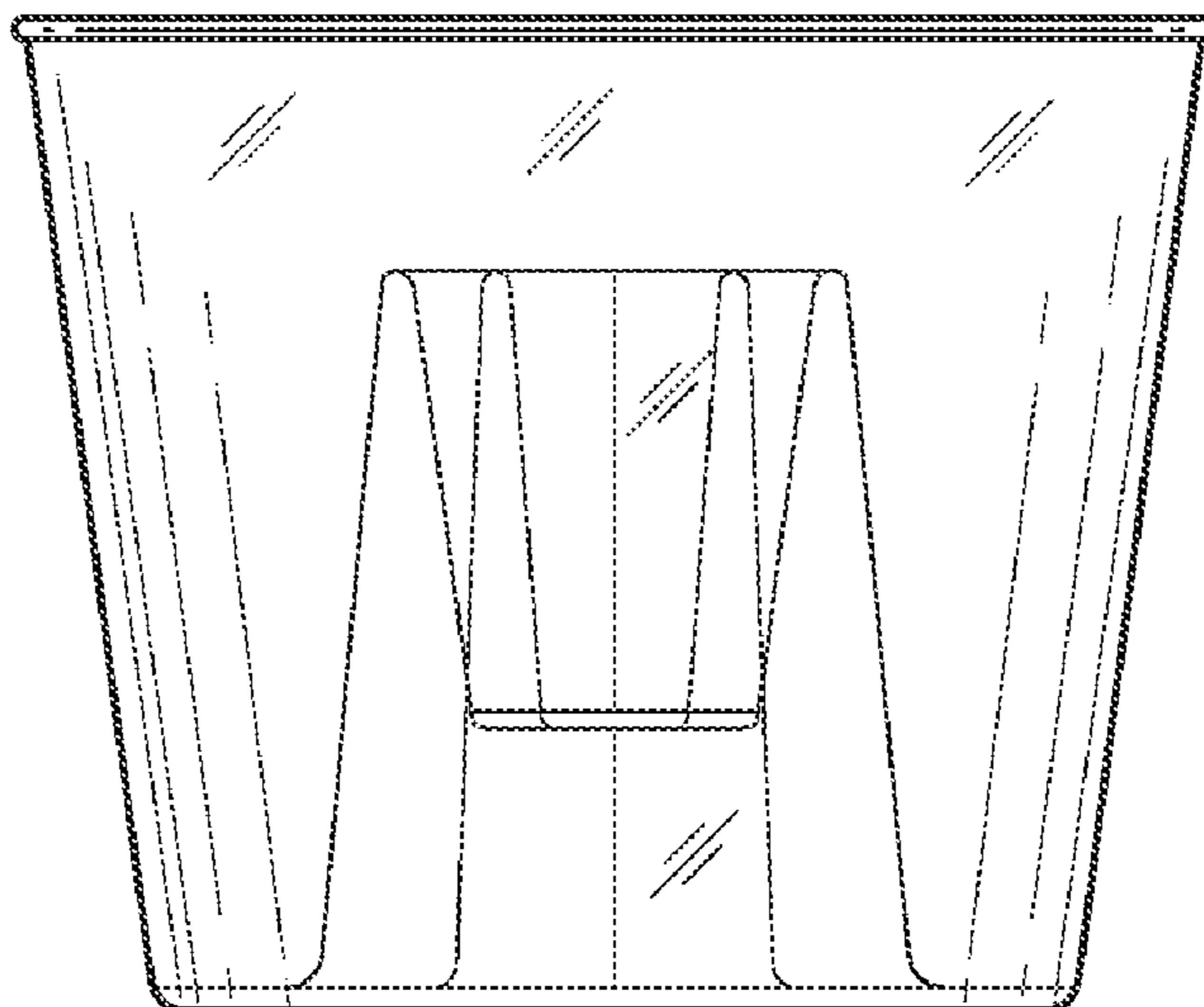
## U.S. PATENT DOCUMENTS

4,410,085	A *	10/1983	Beneziat et al. ....	206/217	D525,167	S *	7/2006	Katznelson .....	D11/153
D358,080	S *	5/1995	Handler .....	D7/509	D532,257	S *	11/2006	Mansfield .....	D7/513
D400,398	S *	11/1998	McNaughton .....	D7/513	D534,768	S *	1/2007	Mansfield .....	D7/513
D405,316	S *	2/1999	Spike .....	D7/507	7,165,697	B1 *	1/2007	Checkalski .....	220/505
D427,691	S *	7/2000	Asselta .....	D24/224	D536,579	S *	2/2007	Roth et al. ....	D7/601
6,179,153	B1 *	1/2001	Huang .....	220/553	D539,091	S *	3/2007	Mansfield .....	D7/513
D462,294	S *	9/2002	Walsh .....	D11/146	D541,107	S *	4/2007	Mansfield .....	D7/513
D471,404	S *	3/2003	Gady .....	D7/523	2006/0021986	A1 *	2/2006	Mansfield et al. ....	220/506
D488,741	S *	4/2004	Moya .....	D11/143					

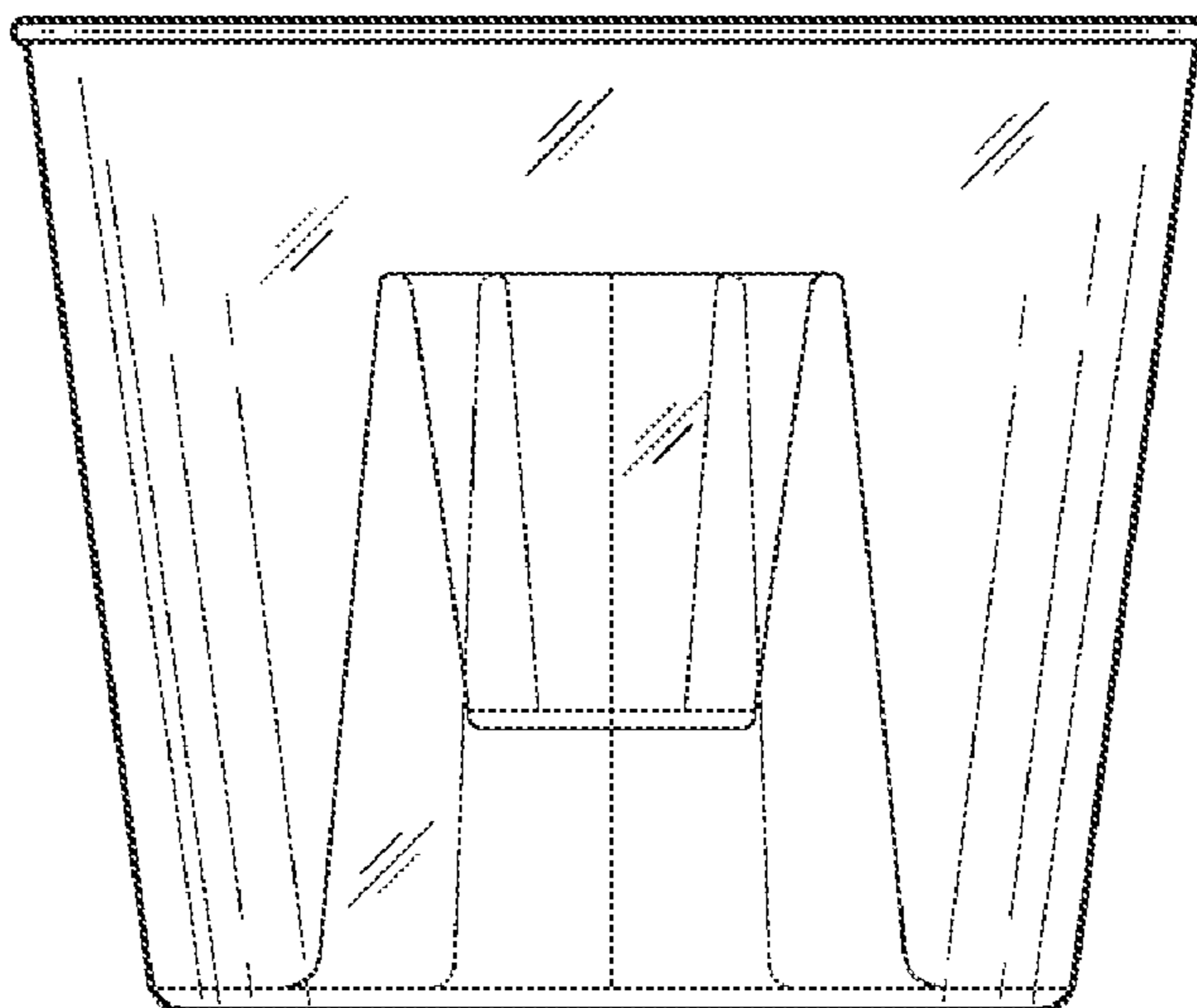
\* cited by examiner



**FIG. 1**

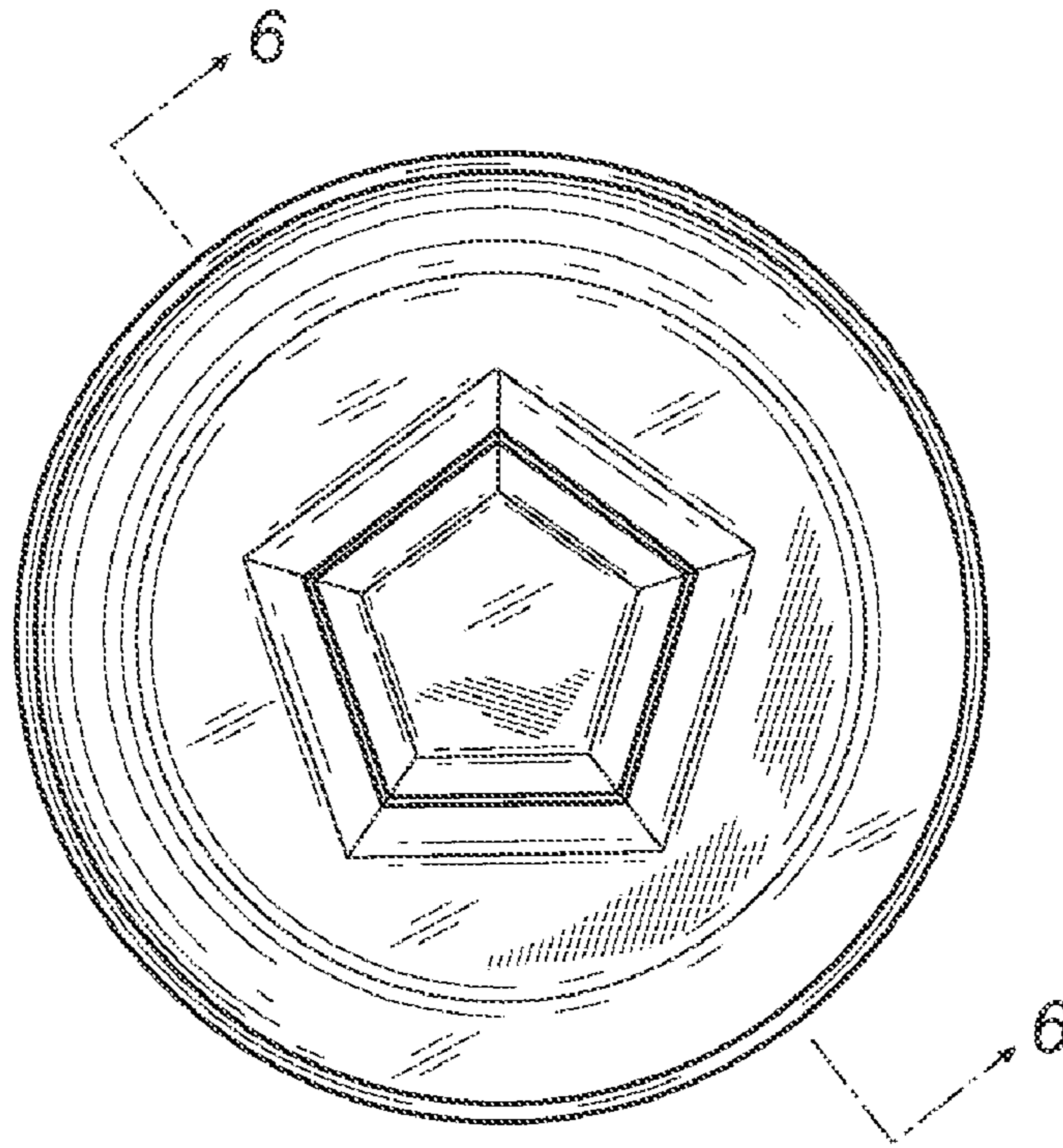


**FIG. 2**

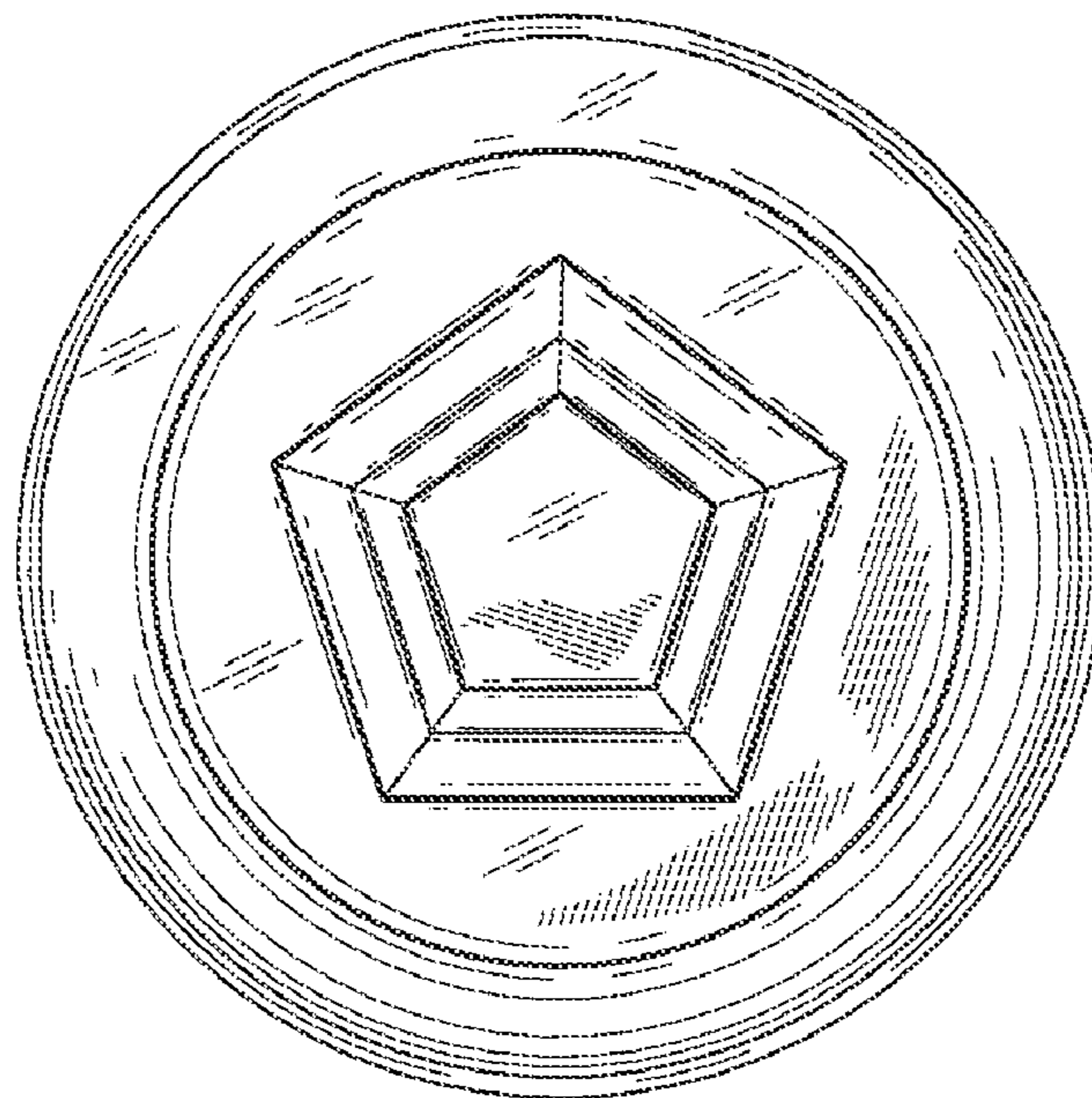


**FIG. 3**

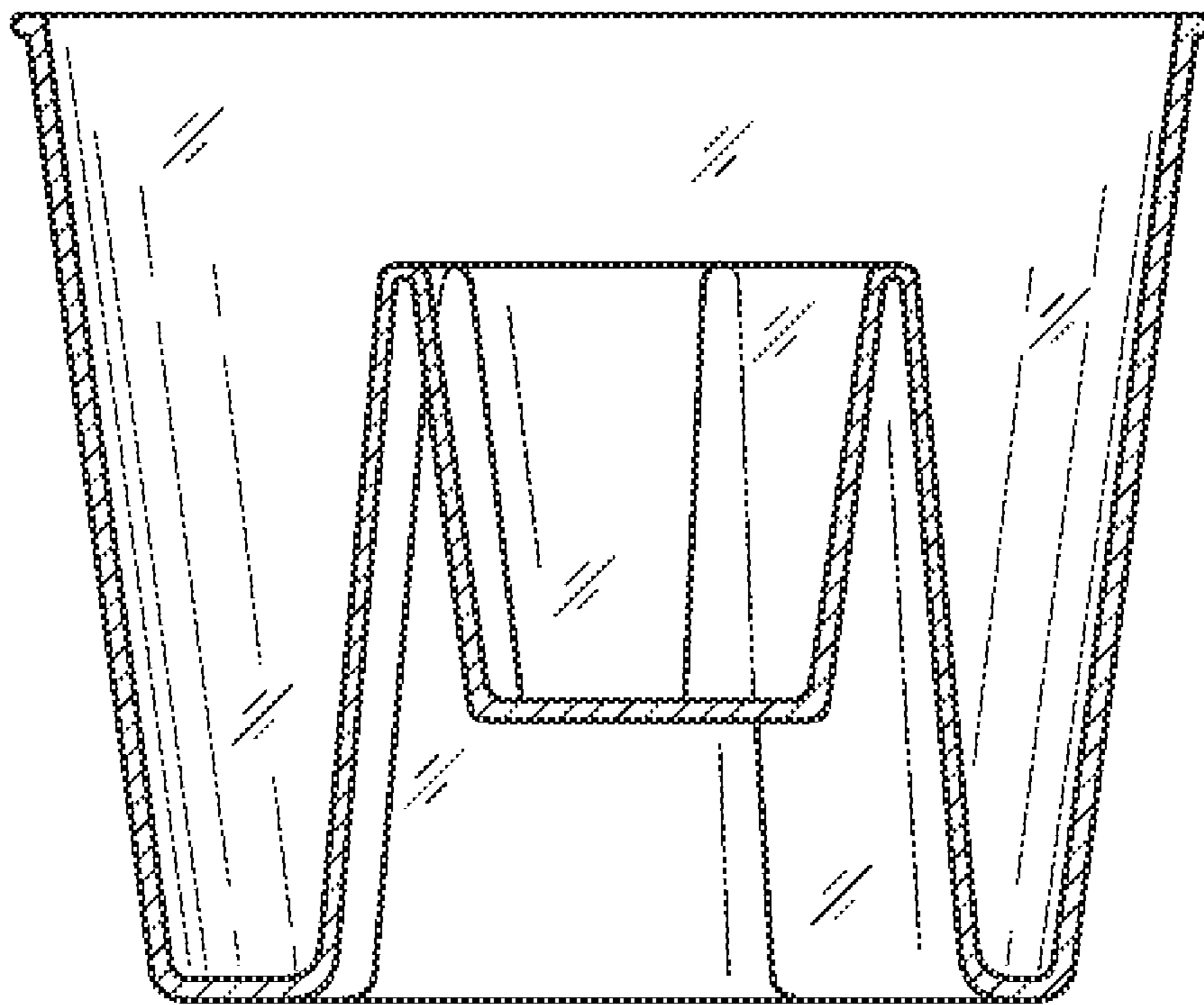




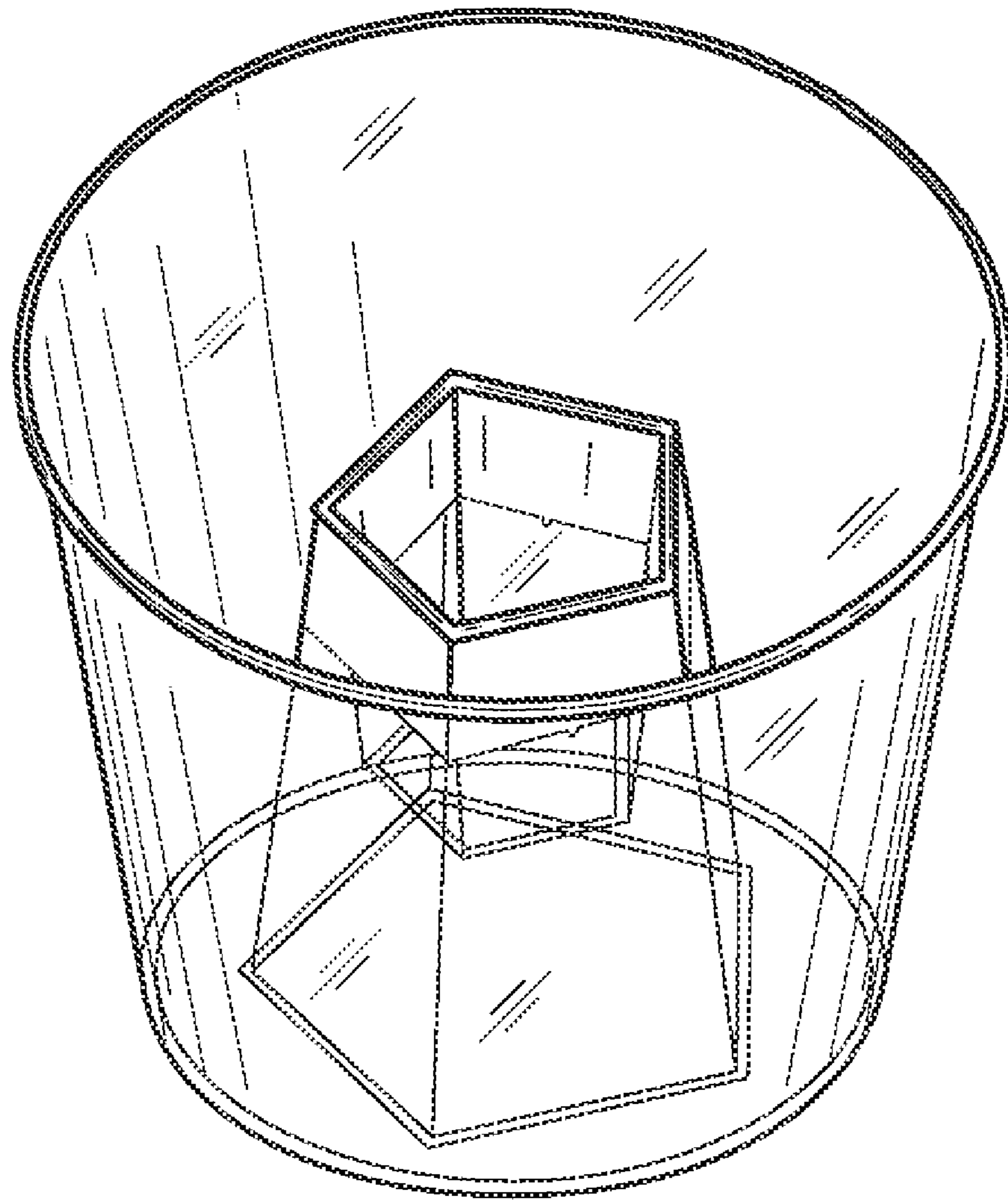
**FIG. 4**



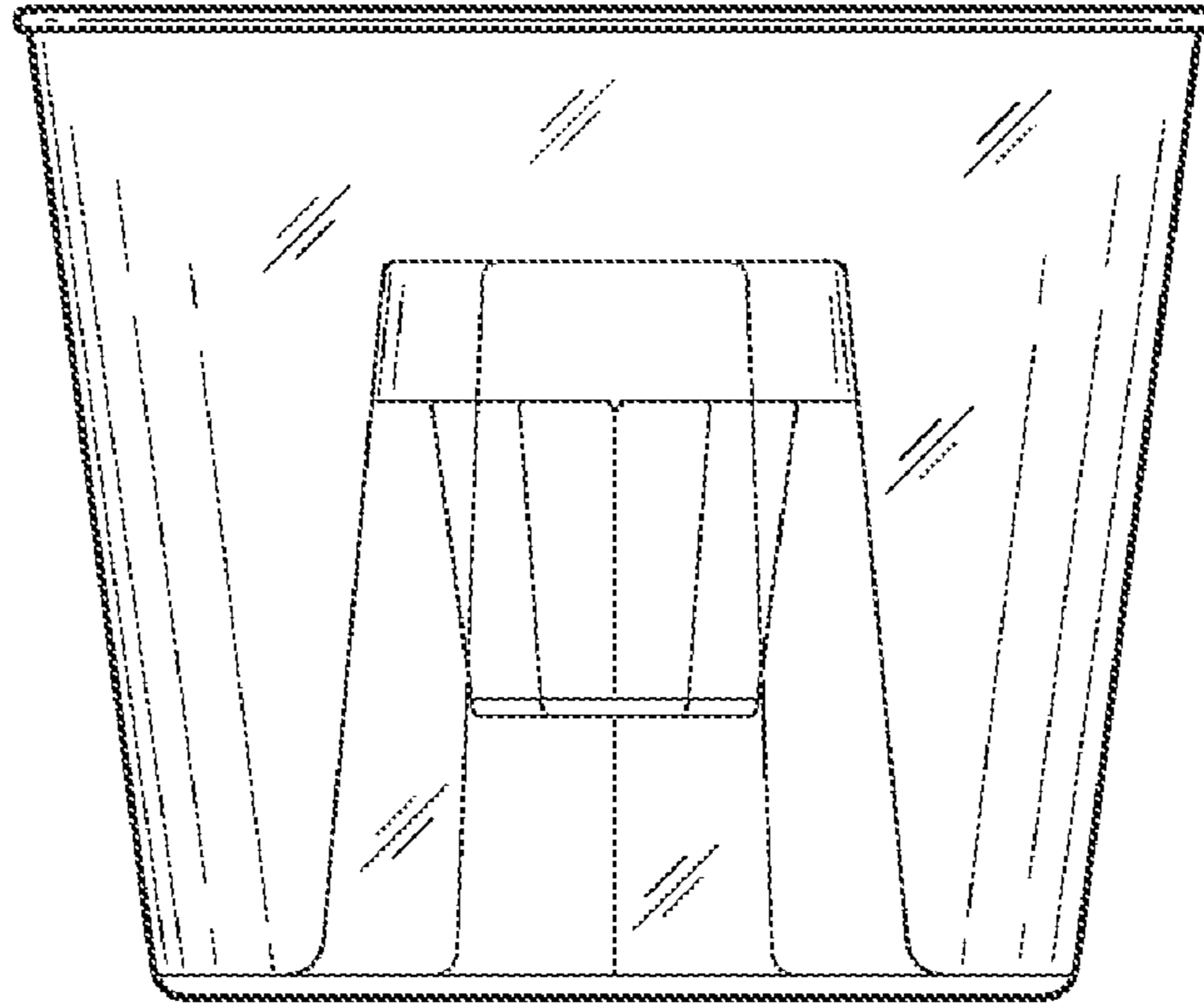
**FIG. 5**



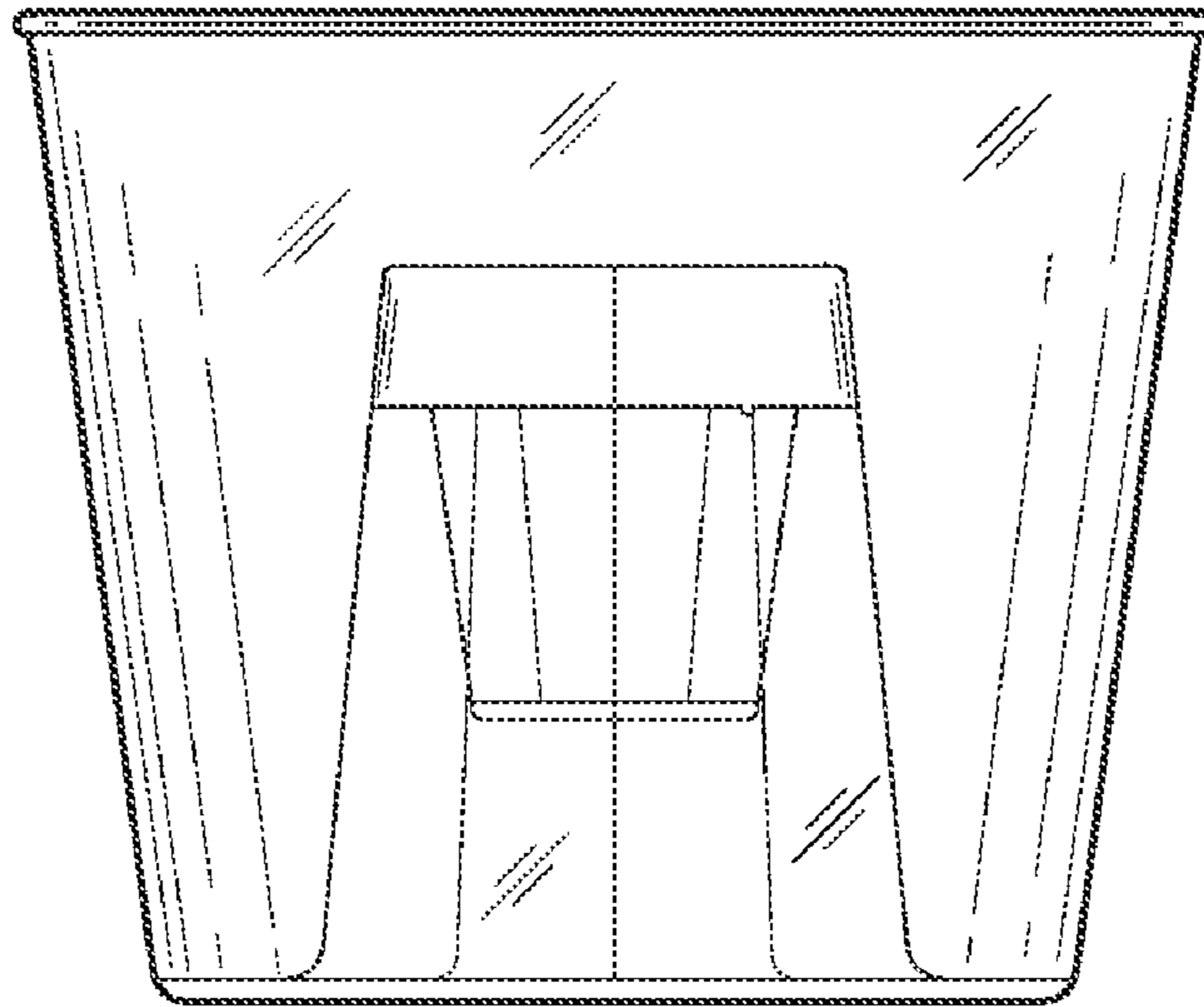
**FIG. 6**



**FIG. 7**

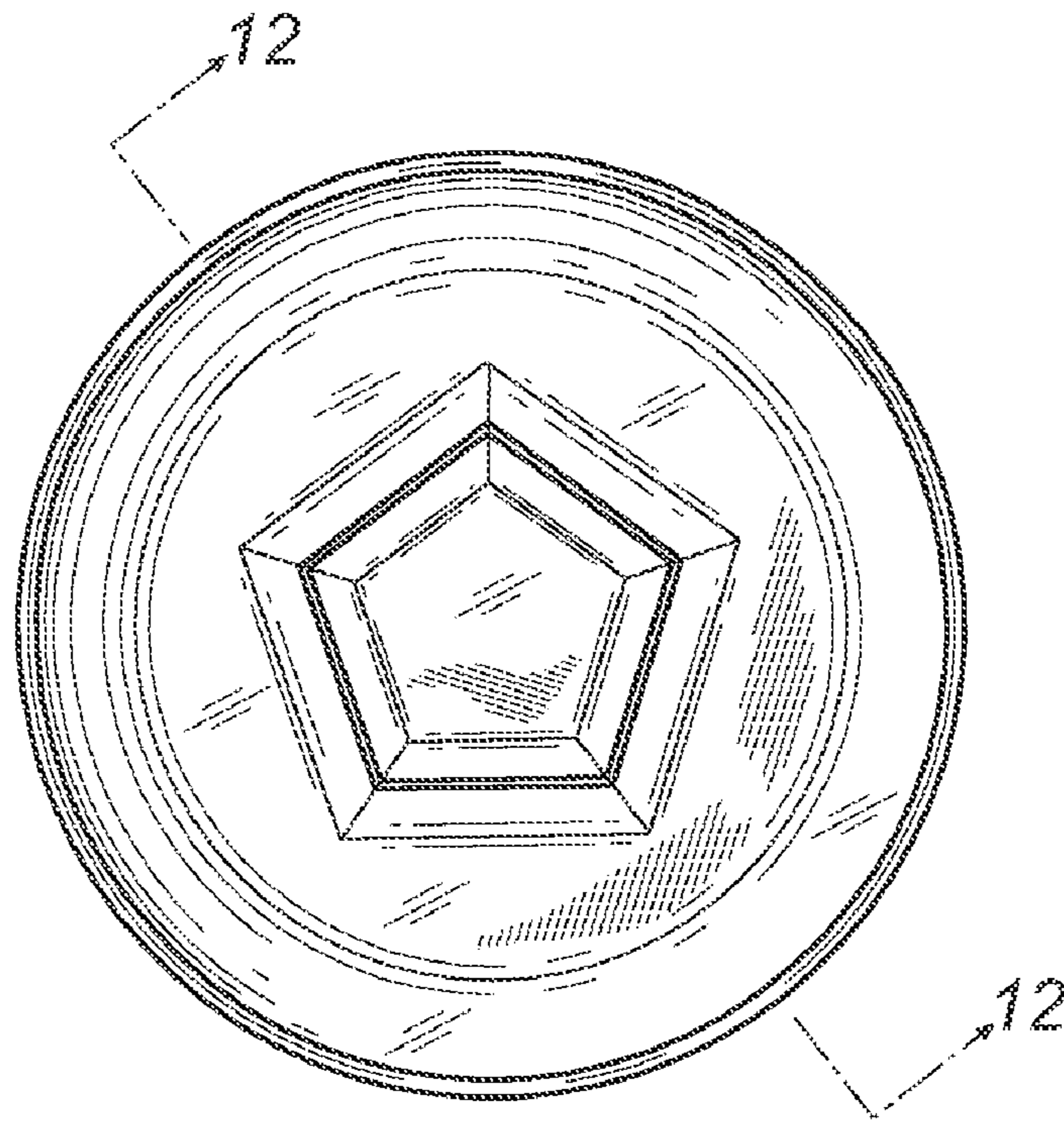


**FIG. 8**

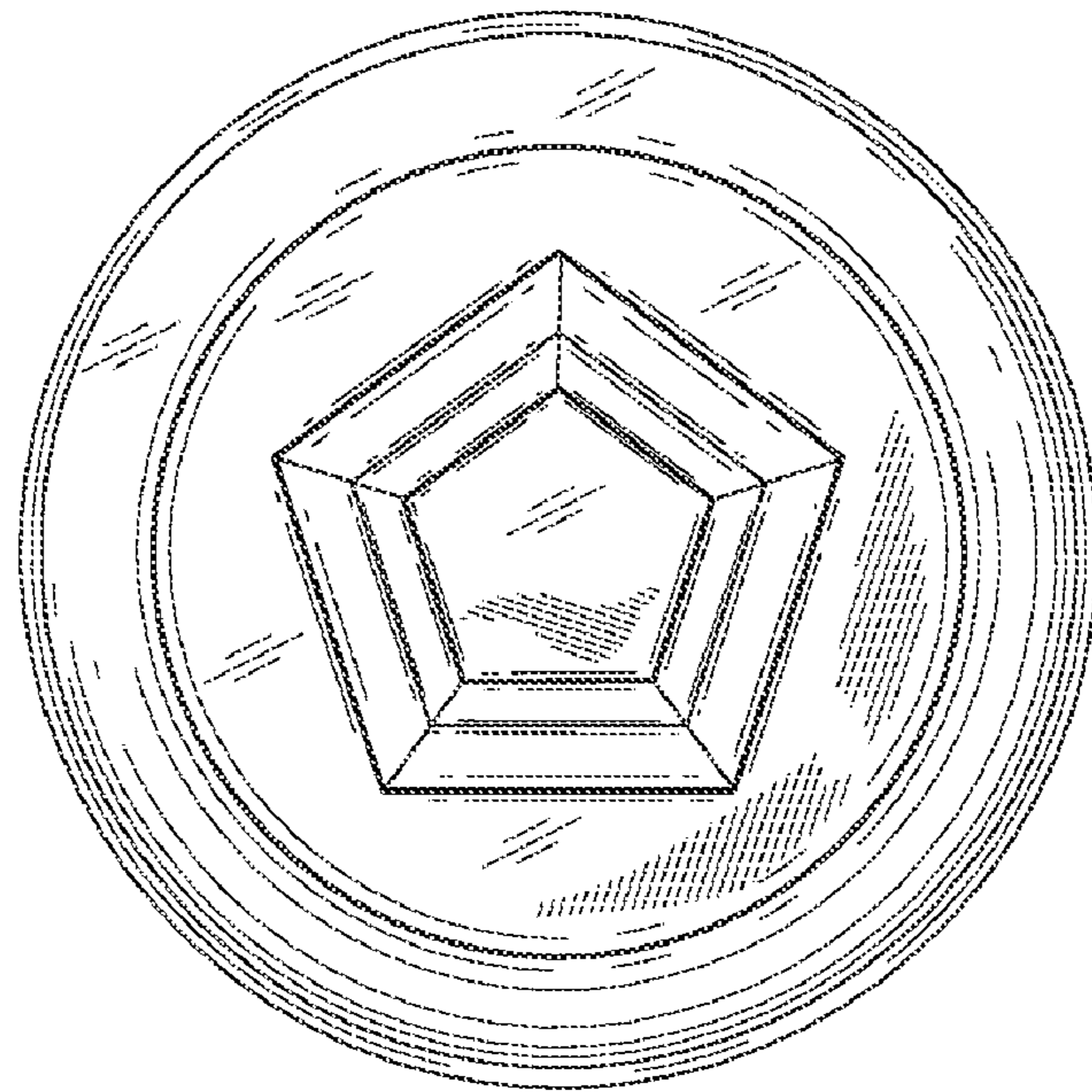


**FIG. 9**

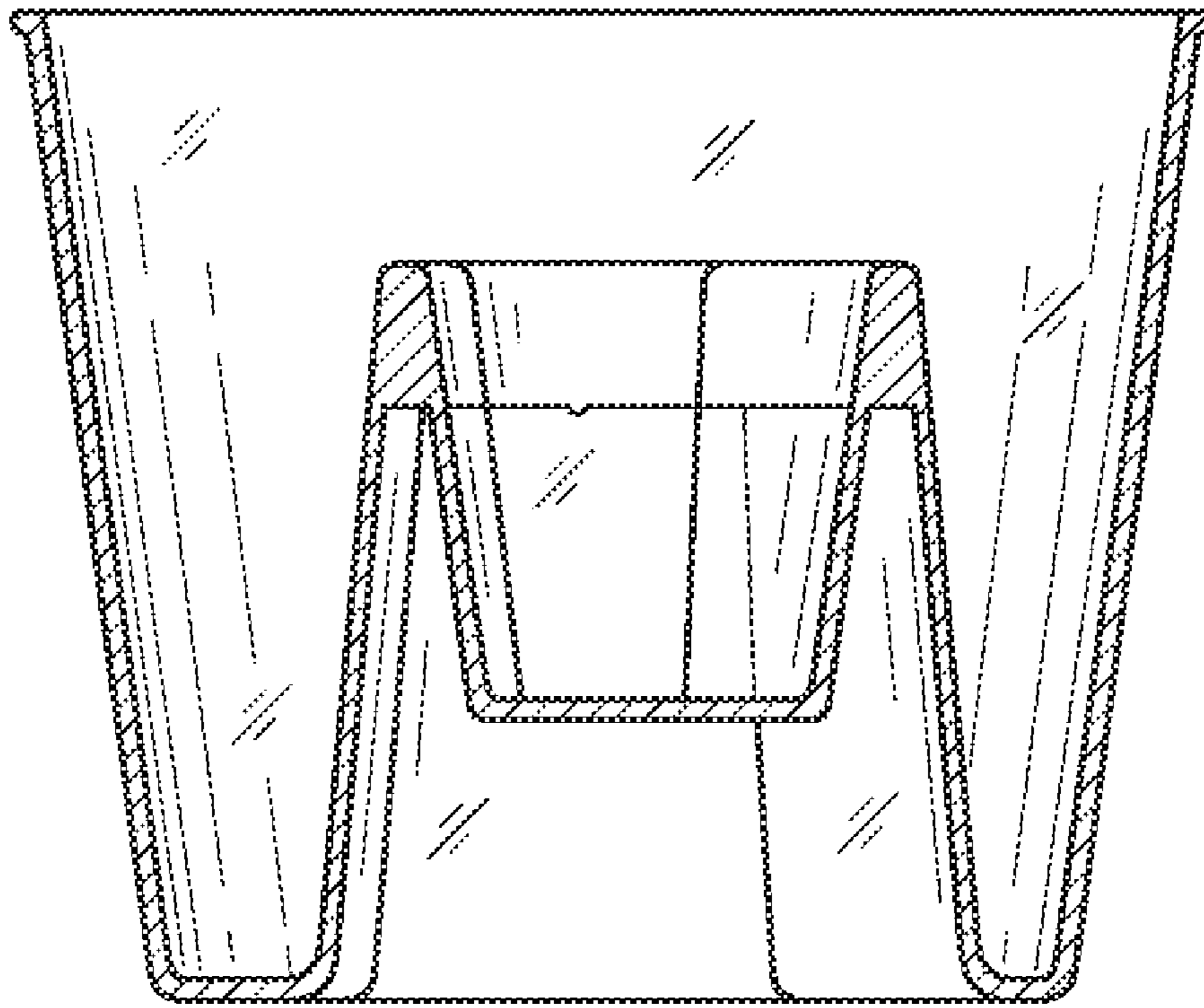




**FIG. 10**



**FIG. 11**



**FIG. 12**