

US00D562068S

(12) **United States Design Patent**
Albini et al.

(10) **Patent No.:** **US D562,068 S**

(45) **Date of Patent:** **** Feb. 19, 2008**

(54) **SLIPRING/LOCKNUT COMBINATION PIECE FOR USE IN A POWERED TAP ASSEMBLY**

(75) Inventors: **Martin Albini**, Bozeman, MT (US);
Thomas J. Wernikowski, Bozeman, MT (US); **Paul Daniel Fichter**, Seattle, WA (US); **Christian P. Burrows**, Tacoma, WA (US)

(73) Assignee: **Voltap, LLC**, Bellevue, WA (US)

(**) Term: **14 Years**

(21) Appl. No.: **29/269,881**

(22) Filed: **Dec. 11, 2006**

(51) **LOC (8) Cl.** **07-01**

(52) **U.S. Cl.** **D7/398; D7/397; D7/387**

(58) **Field of Classification Search** D7/313,
D7/368, 387, 392, 392.1, 395, 396.2, 397,
D7/398, 300; D6/512, 553; D9/434, 435;
D23/233, 238, 242, 213, 249, 255, 262; 222/222,
222/255, 481, 568, 566, 569; D13/120, 148;
D8/29, 36, 349, 354, 367

See application file for complete search history.

(56) **References Cited**

U.S. PATENT DOCUMENTS

D112,012 S	*	11/1938	Weiss	D23/262
D135,262 S	*	3/1943	Corley	D23/262
D229,416 S	*	11/1973	Luckenbill et al.	D23/262
D362,048 S	*	9/1995	Lang	D23/262
D387,147 S	*	12/1997	Vandermast et al.	D23/262

D424,167 S	*	5/2000	Yuen et al.	D23/233
D456,489 S	*	4/2002	Bonzer	D23/213
D482,428 S	*	11/2003	Fulwider	D23/213
D549,804 S	*	8/2007	Lewis et al.	D23/262
D550,050 S	*	9/2007	Peng et al.	D8/29

* cited by examiner

Primary Examiner—Philip S. Hyder

Assistant Examiner—Cynthia Underwood

(74) *Attorney, Agent, or Firm*—Kirkpatrick & Lockhart
Preston Gates Ellis LLP

(57) **CLAIM**

We claim the ornamental design for a slipring/locknut combination piece for use in a powered tap assembly, as shown and described.

DESCRIPTION

FIG. 1 is a perspective view showing our new design for a slipring/locknut combination piece for use in a powered tap assembly.

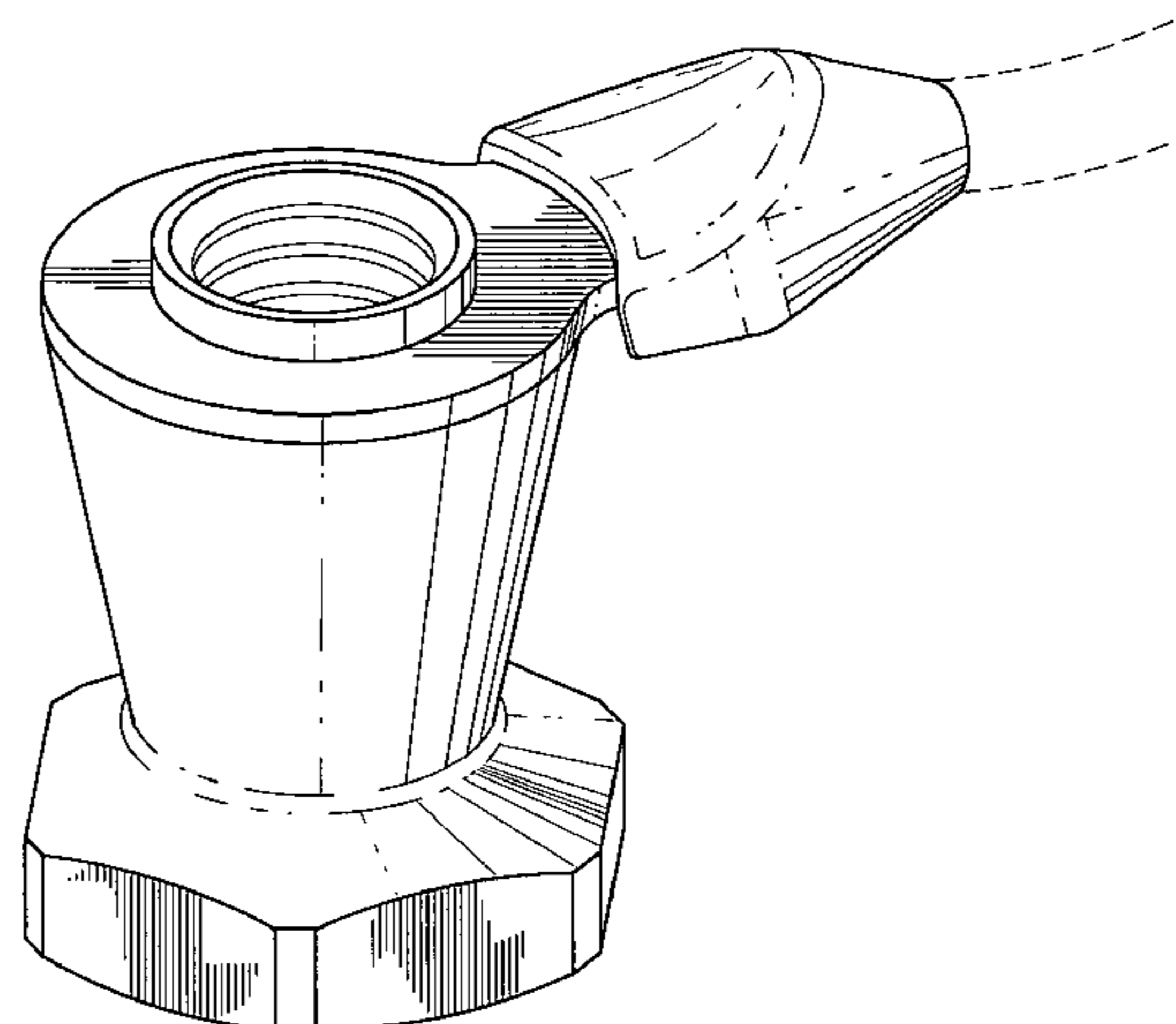
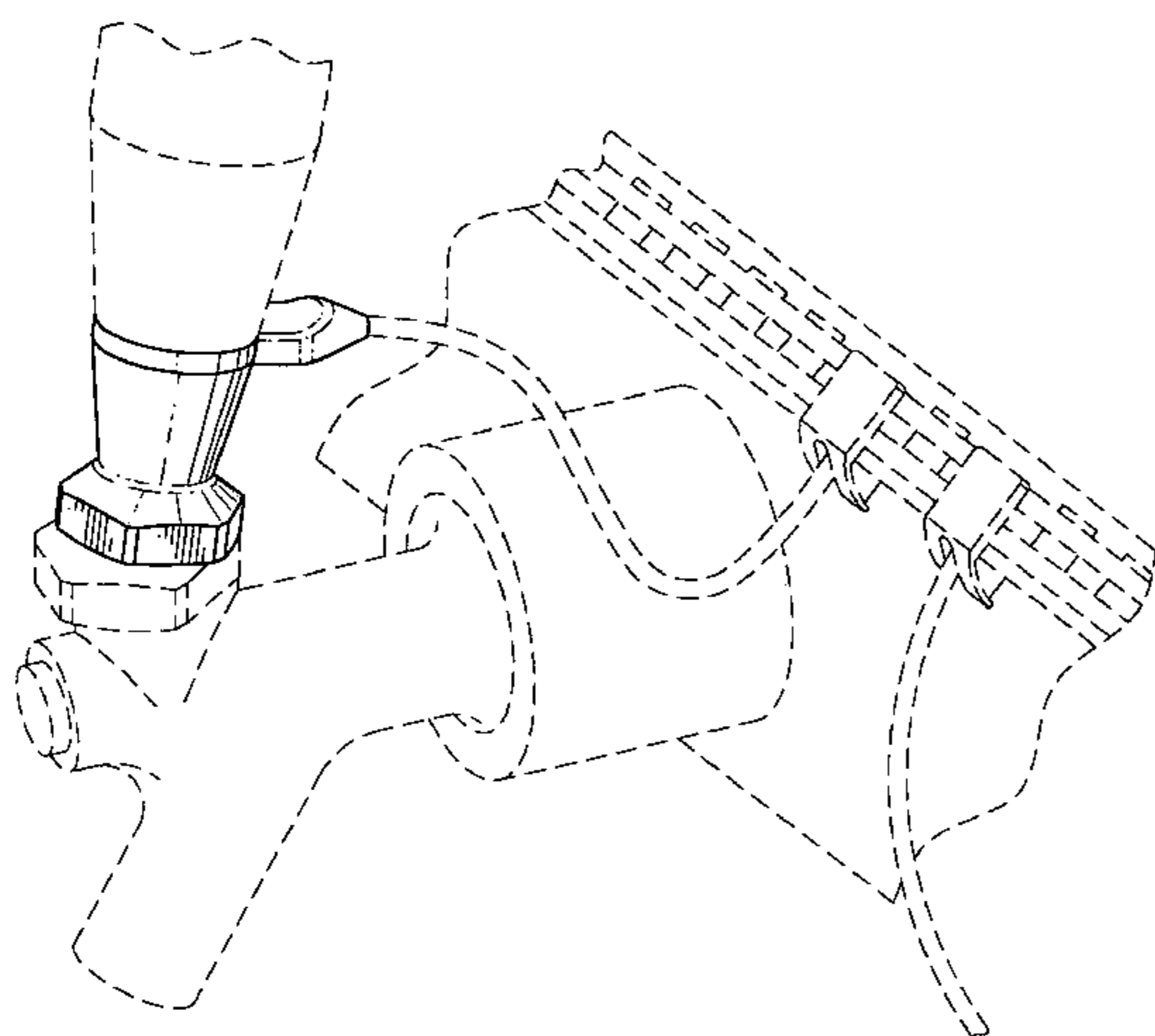
FIG. 2 is an alternative perspective view of our new slipring/locknut combination piece.

FIG. 3 is a top view of our new slipring/locknut combination piece; and,

FIG. 4 is a side view of our new slipring/locknut combination piece.

The broken lines are for environmental purposes only and form no part of the claimed subject matter.

1 Claim, 2 Drawing Sheets



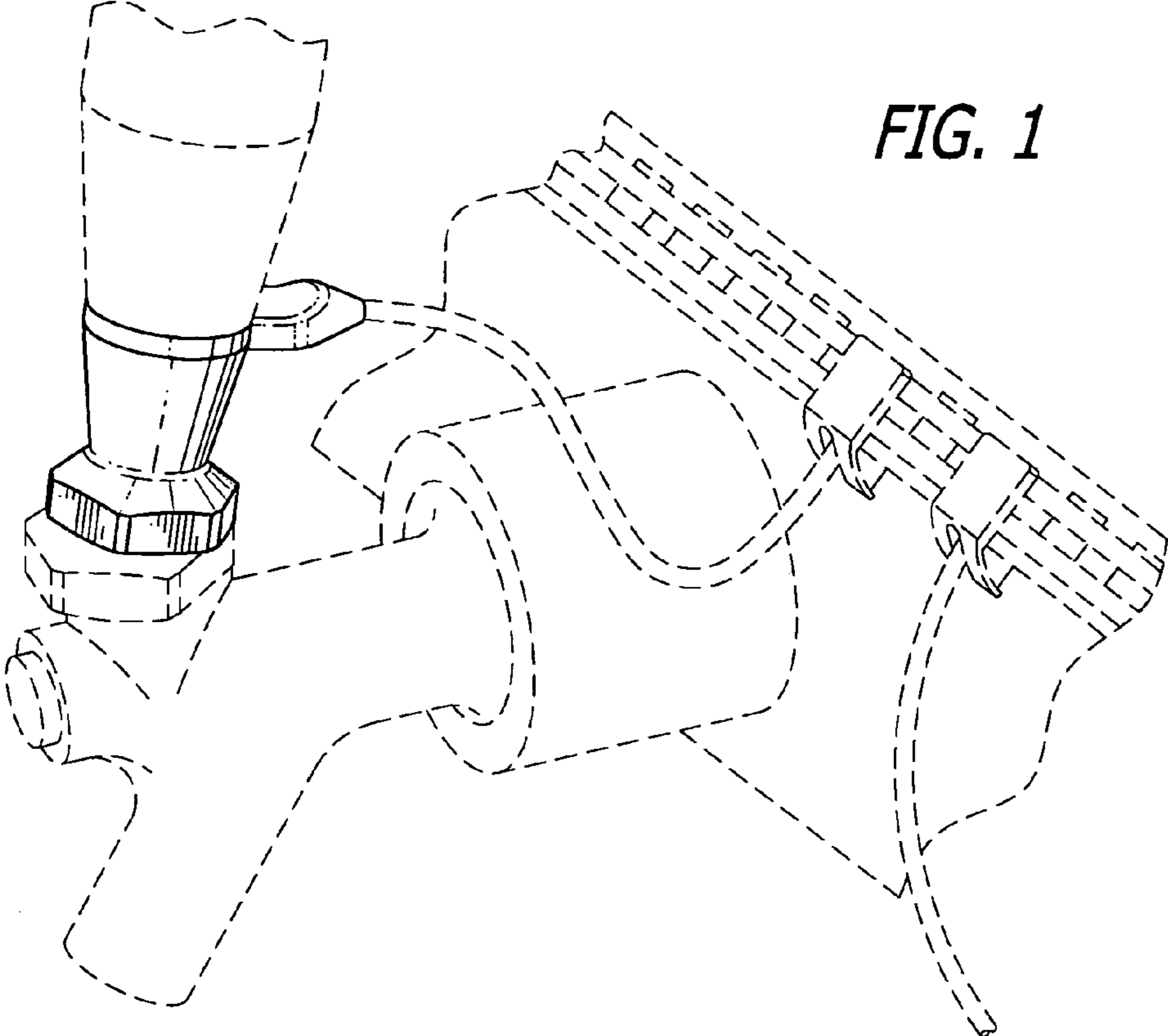


FIG. 1

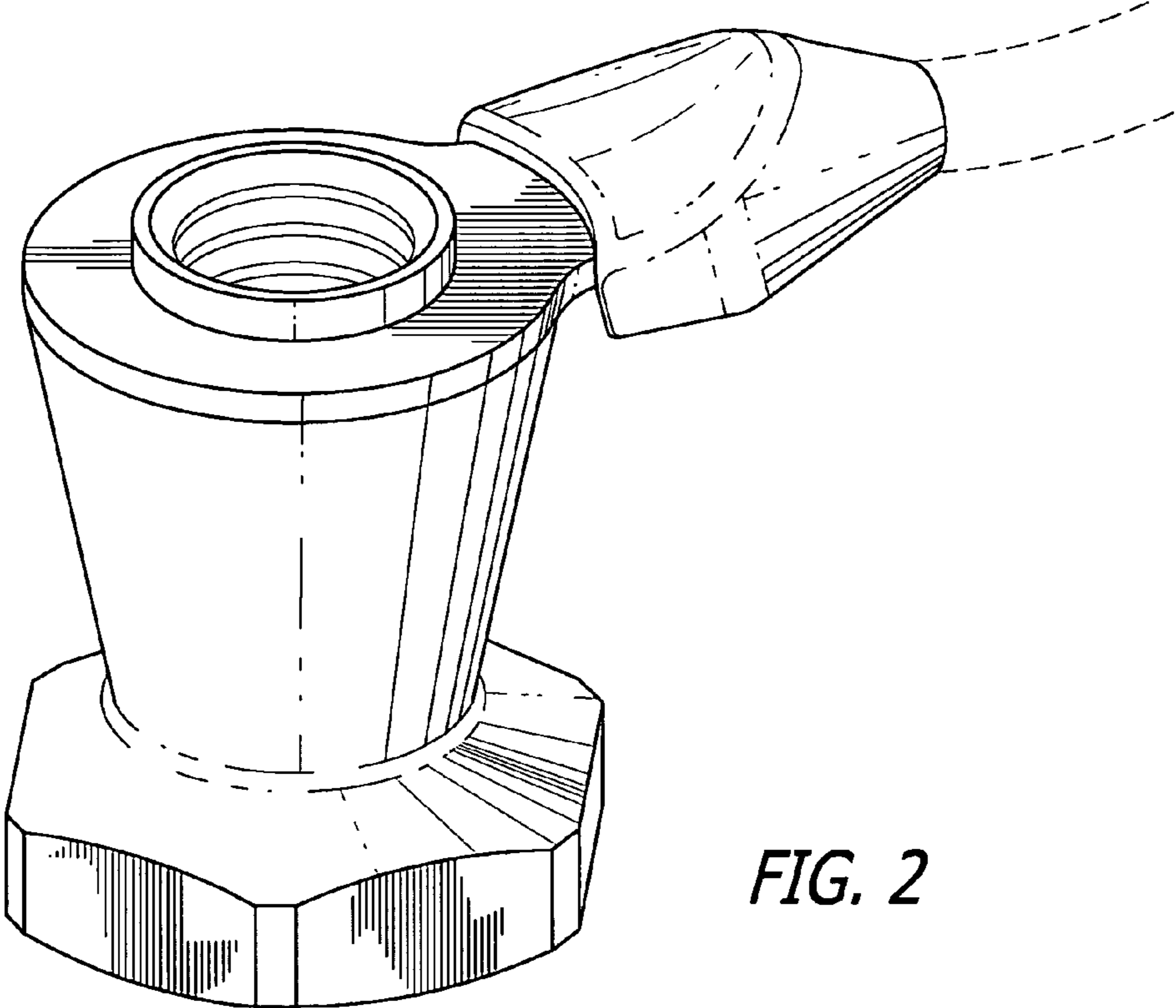


FIG. 2

FIG. 3

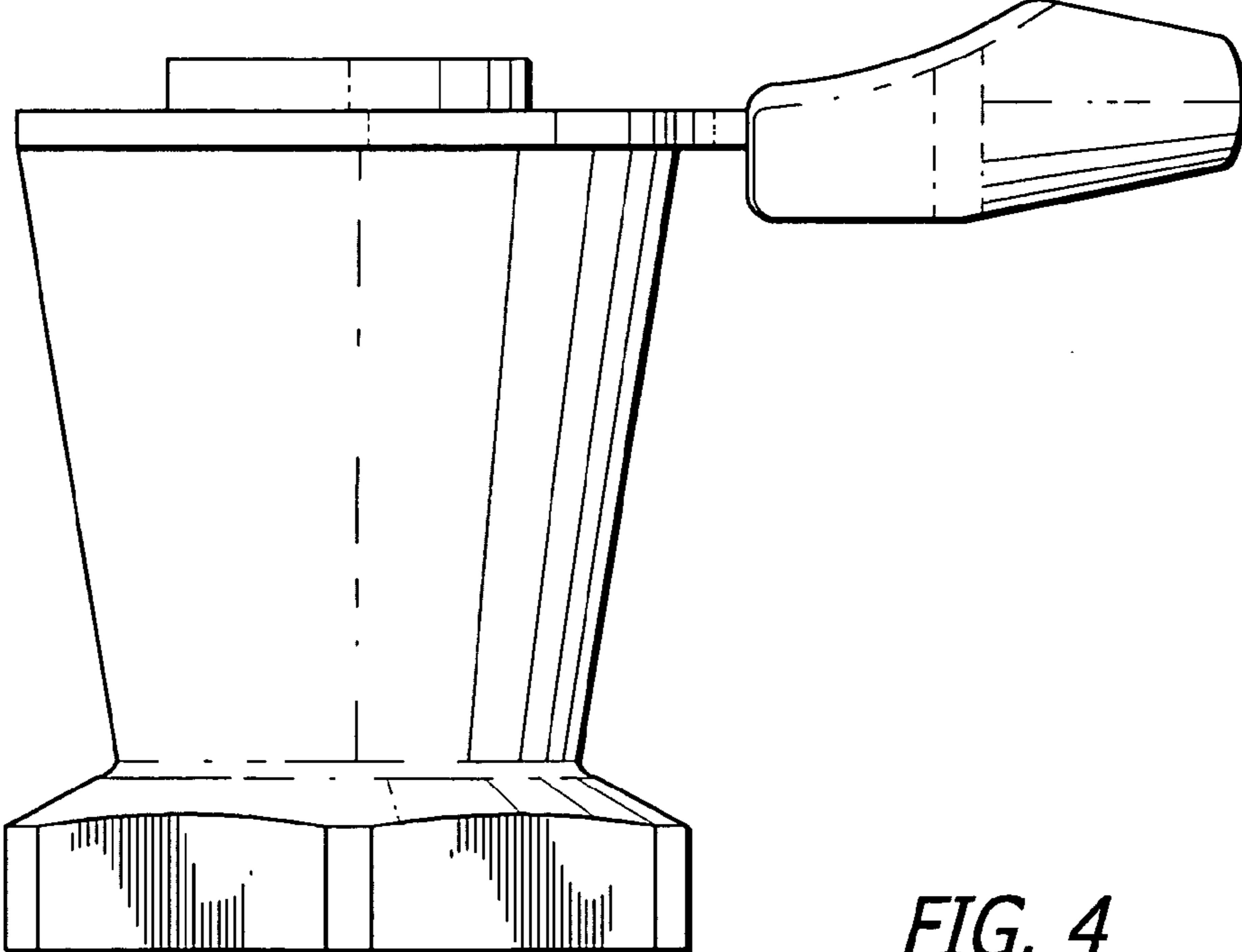
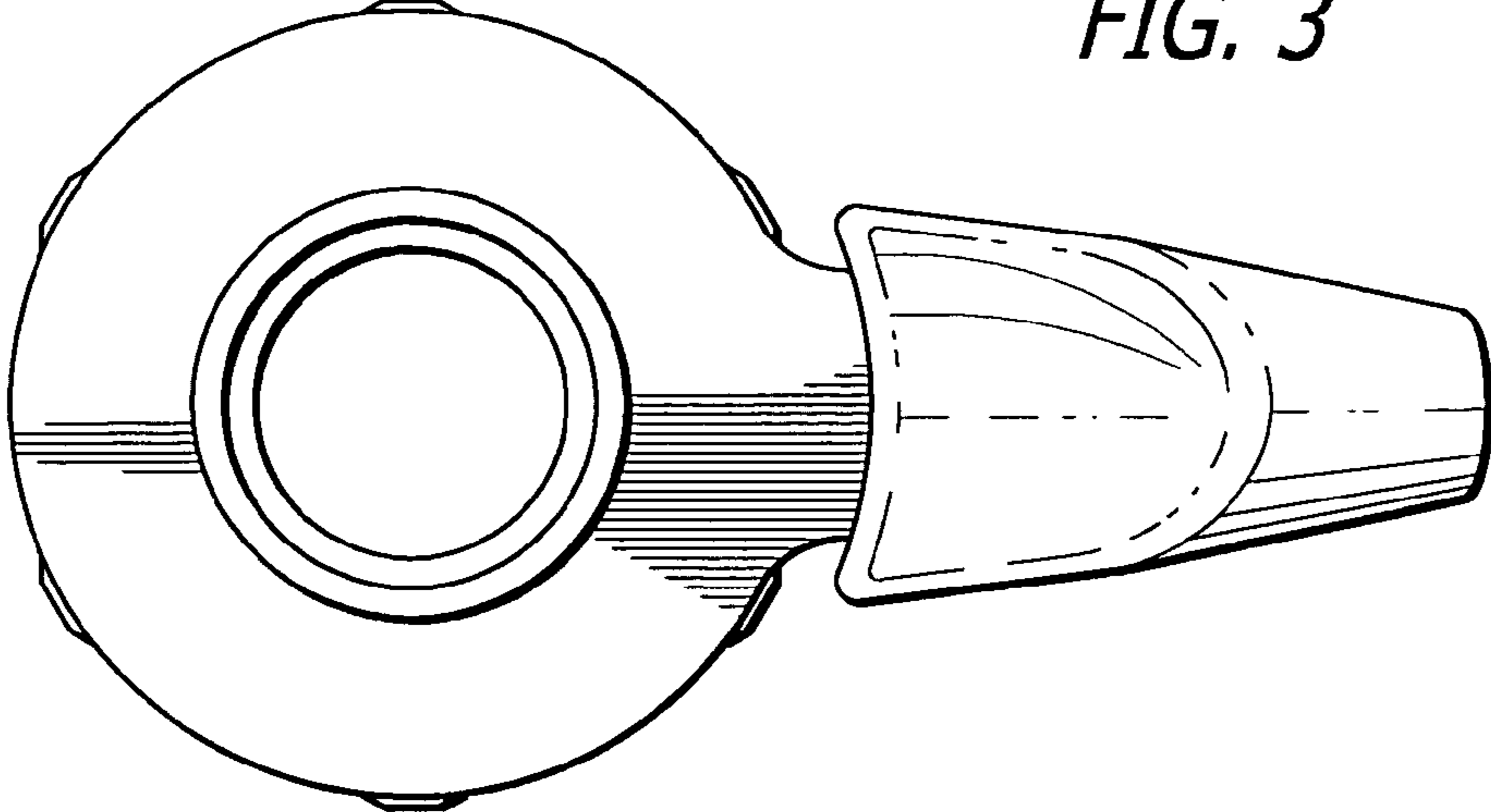


FIG. 4