



US00D562066S

(12) **United States Design Patent** (10) **Patent No.:** **US D562,066 S**
Palmer-Baker (45) **Date of Patent:** **** Feb. 19, 2008**

(54) **BEVERAGE DISPENSING DEVICE**

(75) Inventor: **Paul Palmer-Baker**, Middleton (GB)

(73) Assignee: **Micro Matic Limited**, Blackburn (GB)

(**) Term: **14 Years**

(21) Appl. No.: **29/248,299**

(22) Filed: **Aug. 8, 2006**

(30) **Foreign Application Priority Data**

Feb. 11, 2006 (EM) 000482757

(51) **LOC (8) Cl.** **07-01**

(52) **U.S. Cl.** **D7/398; D7/397; D7/387**

(58) **Field of Classification Search** D7/213,
D7/300, 312, 387, 392, 393, 397, 398, 400;
D9/428, 434, 502; D23/233, 238, 255, 473,
D23/475.1, 752; 215/12.1; 222/566; 239/18,
239/16

See application file for complete search history.

(56) **References Cited**

U.S. PATENT DOCUMENTS

D2,820 S * 11/1867 Barry D9/502
D193,730 S * 10/1962 Schlumbohm D7/399
D232,553 S * 8/1974 Settle D23/262
D234,516 S * 3/1975 Sixt D23/262
D234,596 S * 3/1975 Settle D23/262
D259,014 S * 4/1981 Nelson, Sr. D7/213
D260,422 S * 8/1981 Husted D23/209
D285,999 S * 10/1986 Ludwick et al. D7/523

D311,296 S * 10/1990 Santoiemmo D7/300
D326,503 S * 5/1992 Ipsen D23/233
D337,181 S * 7/1993 Warman D30/121
D359,683 S * 6/1995 Beach D9/434
D376,512 S * 12/1996 Klemme D7/538
D440,631 S * 4/2001 Shipway D23/233
D551,391 S * 9/2007 Sanders D28/63
2006/0226250 A1 * 10/2006 Elliott et al. 239/18

* cited by examiner

Primary Examiner—Philip S. Hyder

Assistant Examiner—Cynthia Underwood

(74) *Attorney, Agent, or Firm*—Levine & Mandelbaum

(57) **CLAIM**

I claim the ornamental design for a beverage dispensing device, as shown.

DESCRIPTION

FIG. 1 is a top plan view of a beverage dispensing device showing my new design.

FIG. 2 is a bottom plan view thereof.

FIG. 3 is right side elevational view thereof, the left side being a mirror image of the right side.

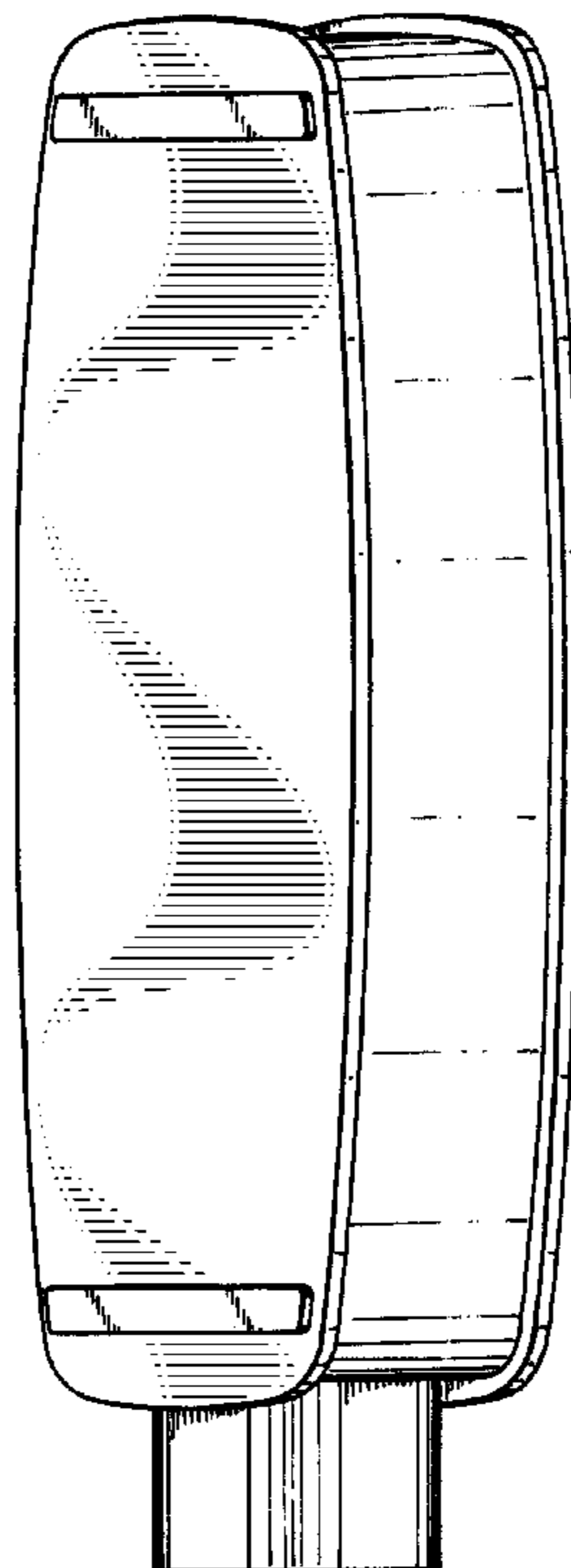
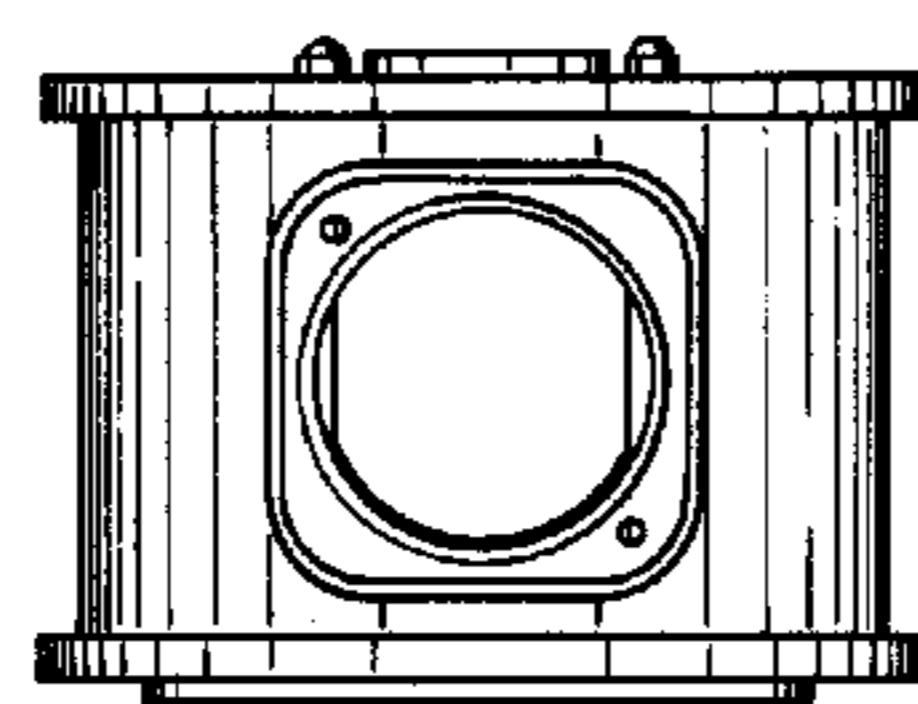
FIG. 4 is a perspective view thereof from the front and right side.

FIG. 5 is a perspective view thereof from the front and left side.

FIG. 6 is front elevational view thereof; and,

FIG. 7 is rear elevational view thereof.

1 Claim, 6 Drawing Sheets



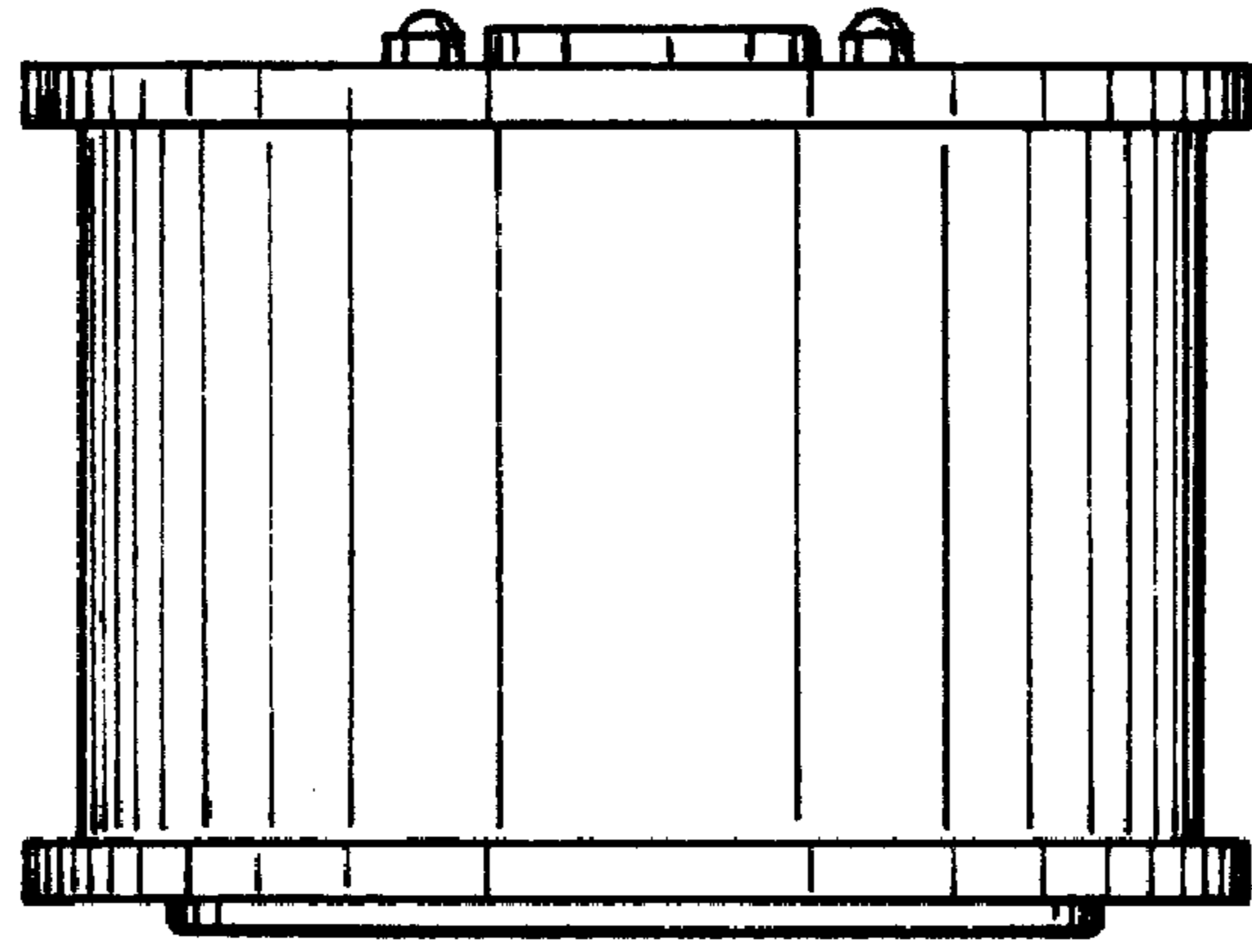


FIG. 1

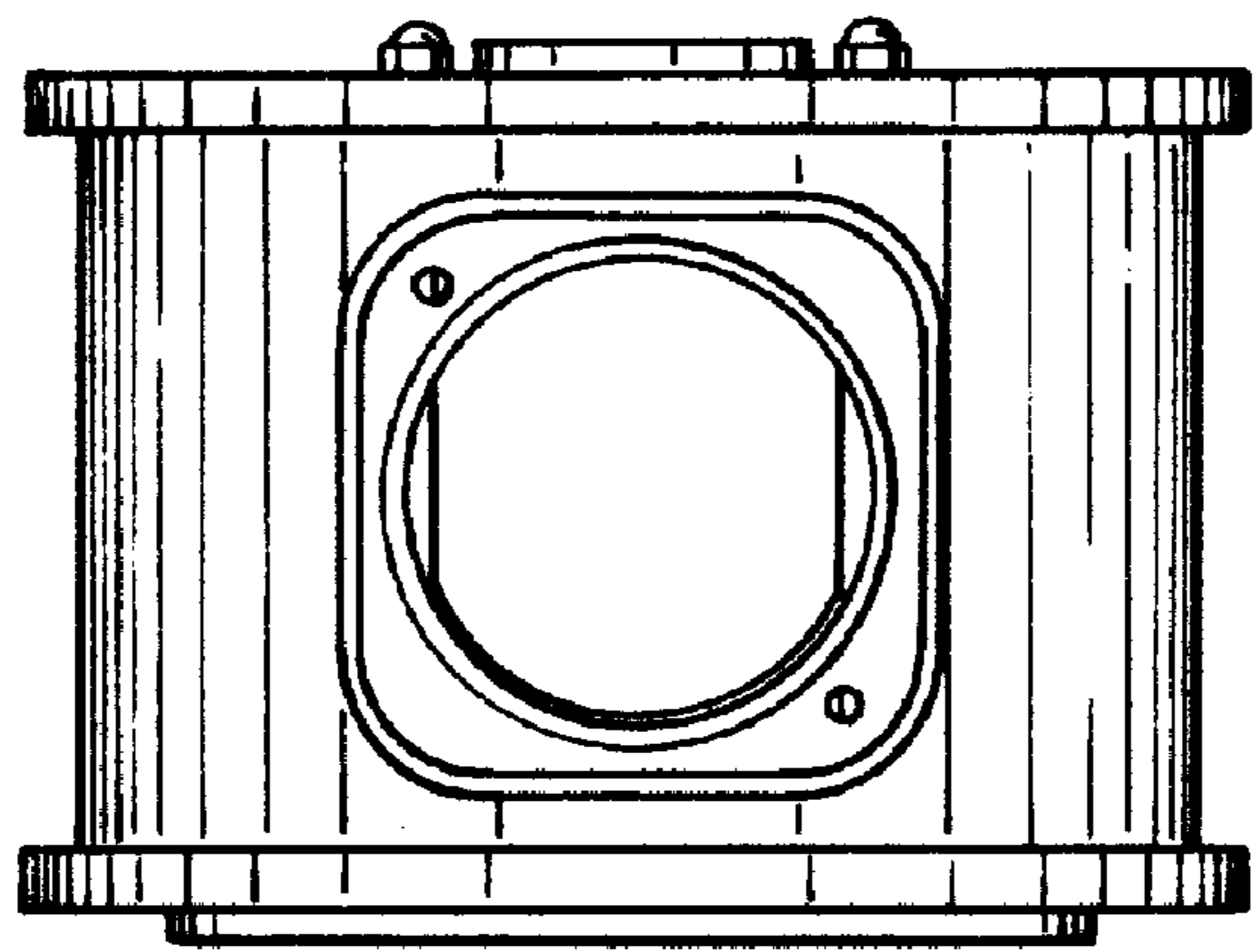


FIG. 2

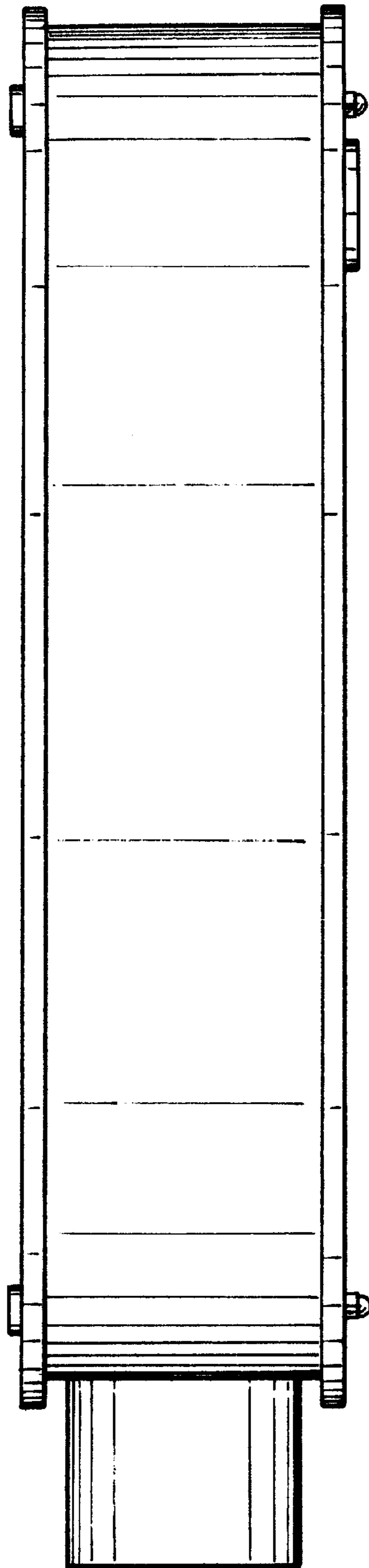


FIG. 3

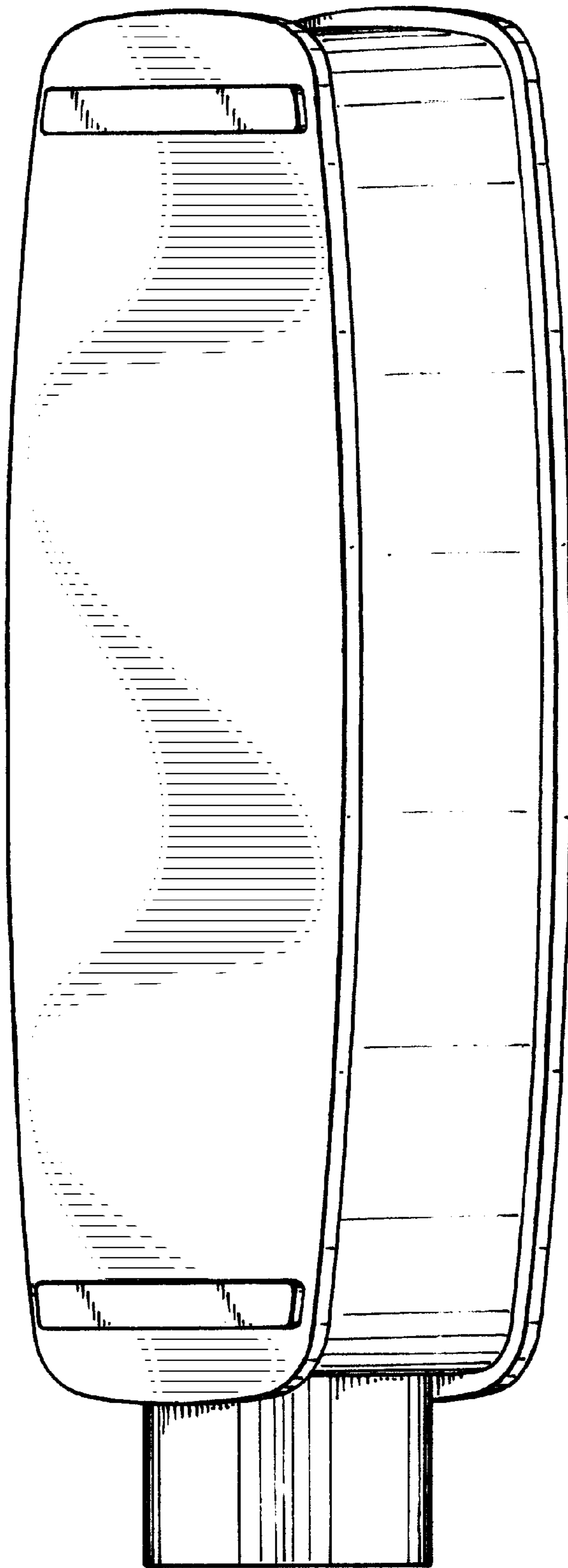


FIG. 4

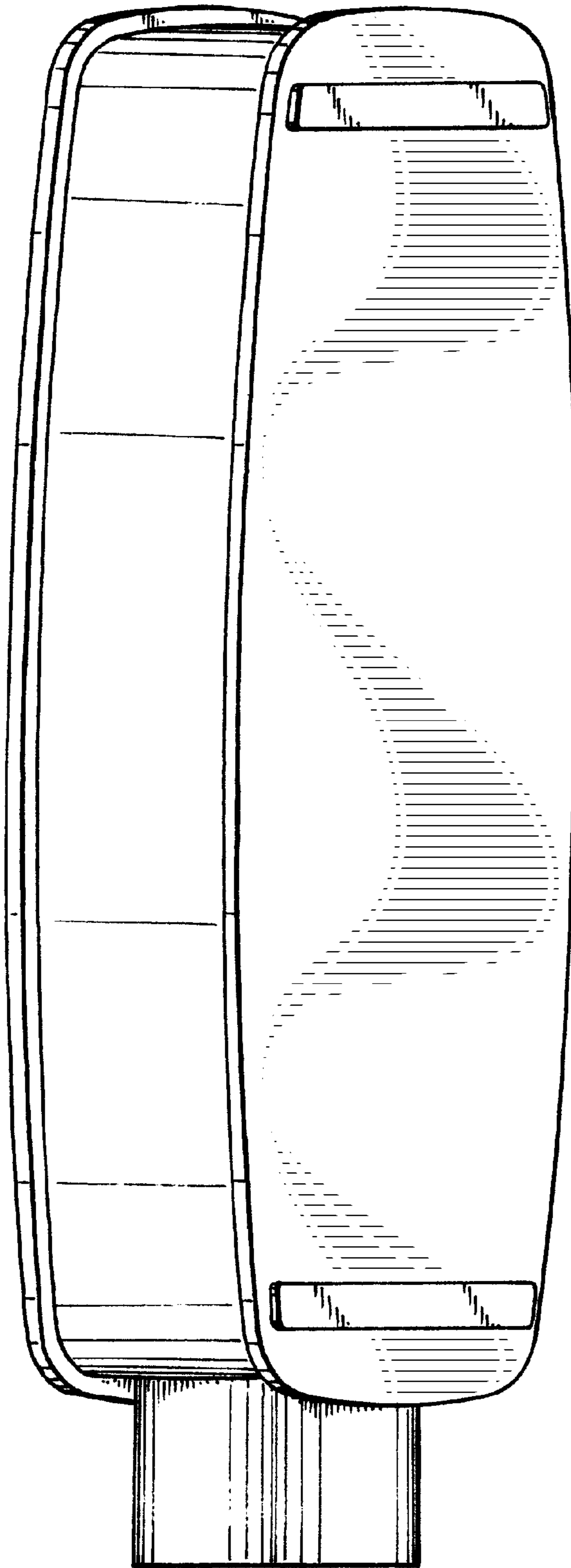


FIG. 5

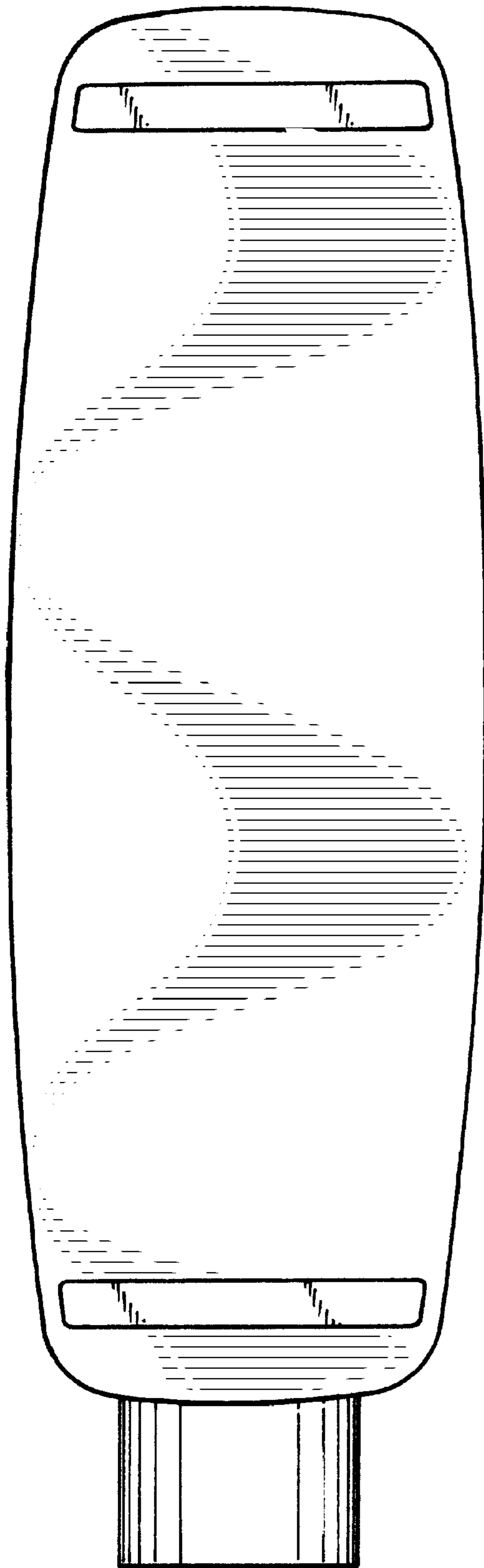


FIG. 6

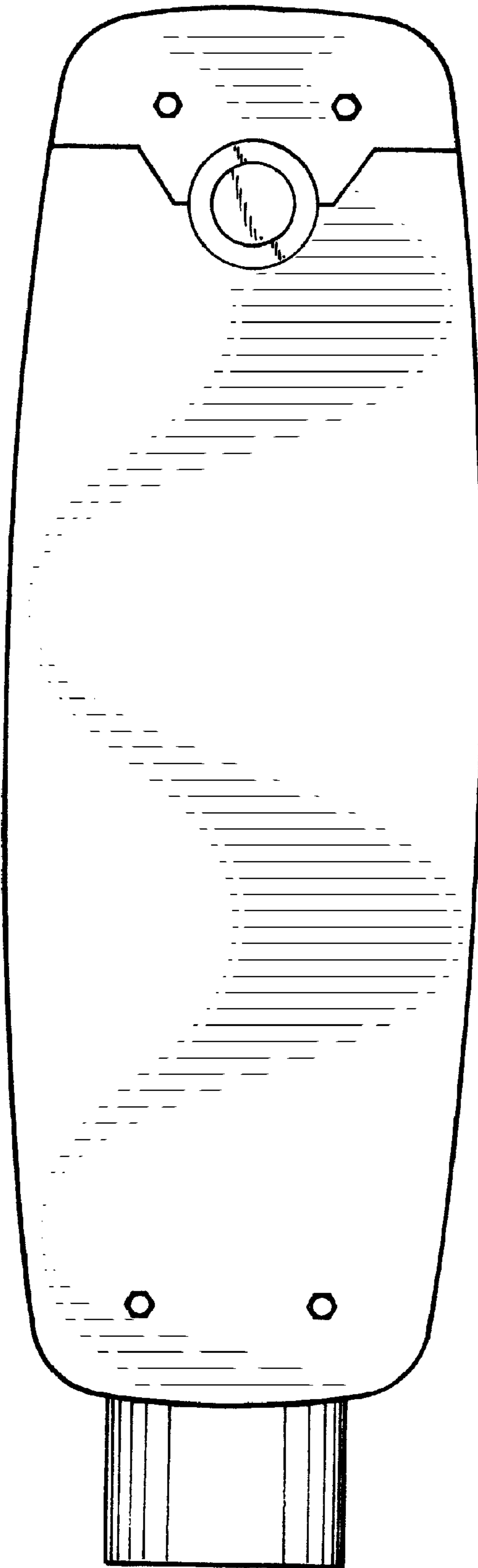


FIG. 7