

US00D562065S

(12) **United States Design Patent**
Smaldone

(10) **Patent No.:** **US D562,065 S**

(45) **Date of Patent:** **** Feb. 19, 2008**

(54) **TRAVEL MUG CONTOURED TO MOUTH**

(76) Inventor: **Alfonso Smaldone**, 4099 Ocean Ave.,
Brooklyn, NY (US) 11235

(**) Term: **14 Years**

(21) Appl. No.: **29/263,755**

(22) Filed: **Jul. 28, 2006**

(51) **LOC (8) Cl.** **07-01**

(52) **U.S. Cl.** **D7/396.2; D7/387**

(58) **Field of Classification Search** D7/387,
D7/391, 392, 396.1, 396.2, 511, 512, 524-528,
D7/533-536; D3/202; D9/449, 516, 523,
D9/525, 526, 542; 215/DIG. 7; 220/592.16,
220/592.17, 703

See application file for complete search history.

(56) **References Cited**

U.S. PATENT DOCUMENTS

D133,978	S	*	10/1942	Johnson	D9/447
2,627,735	A	*	2/1953	Dexter	220/703
3,134,523	A	*	5/1964	Hostetter	222/572
4,303,170	A	*	12/1981	Panicci	220/603
D359,417	S	*	6/1995	Chen	D7/510
D368,624	S	*	4/1996	Forrer	D7/392.1
D398,813	S	*	9/1998	Franzese	D7/396.2
5,871,118	A	*	2/1999	Franzese	220/717
D418,368	S	*	1/2000	Solland et al.	D7/510
D437,223	S	*	2/2001	Coy et al.	D9/447
D453,446	S	*	2/2002	Bodum	D7/510

D516,424 S * 3/2006 Schweigert et al. D9/447
2003/0141302 A1 * 7/2003 Ryan et al. 220/254.1

* cited by examiner

Primary Examiner—Philip S. Hyder

Assistant Examiner—Cynthia Underwood

(74) *Attorney, Agent, or Firm*—Steven Horowitz

(57) **CLAIM**

The ornamental design for a travel mug contoured to mouth,
as shown and described.

DESCRIPTION

FIG. 1 is a left side view of the travel mug contoured to
mouth of the present invention showing my new design;

FIG. 2 is a right side view thereof;

FIG. 3 is a rear view thereof;

FIG. 4 is a front view thereof;

FIG. 5 is a top view thereof;

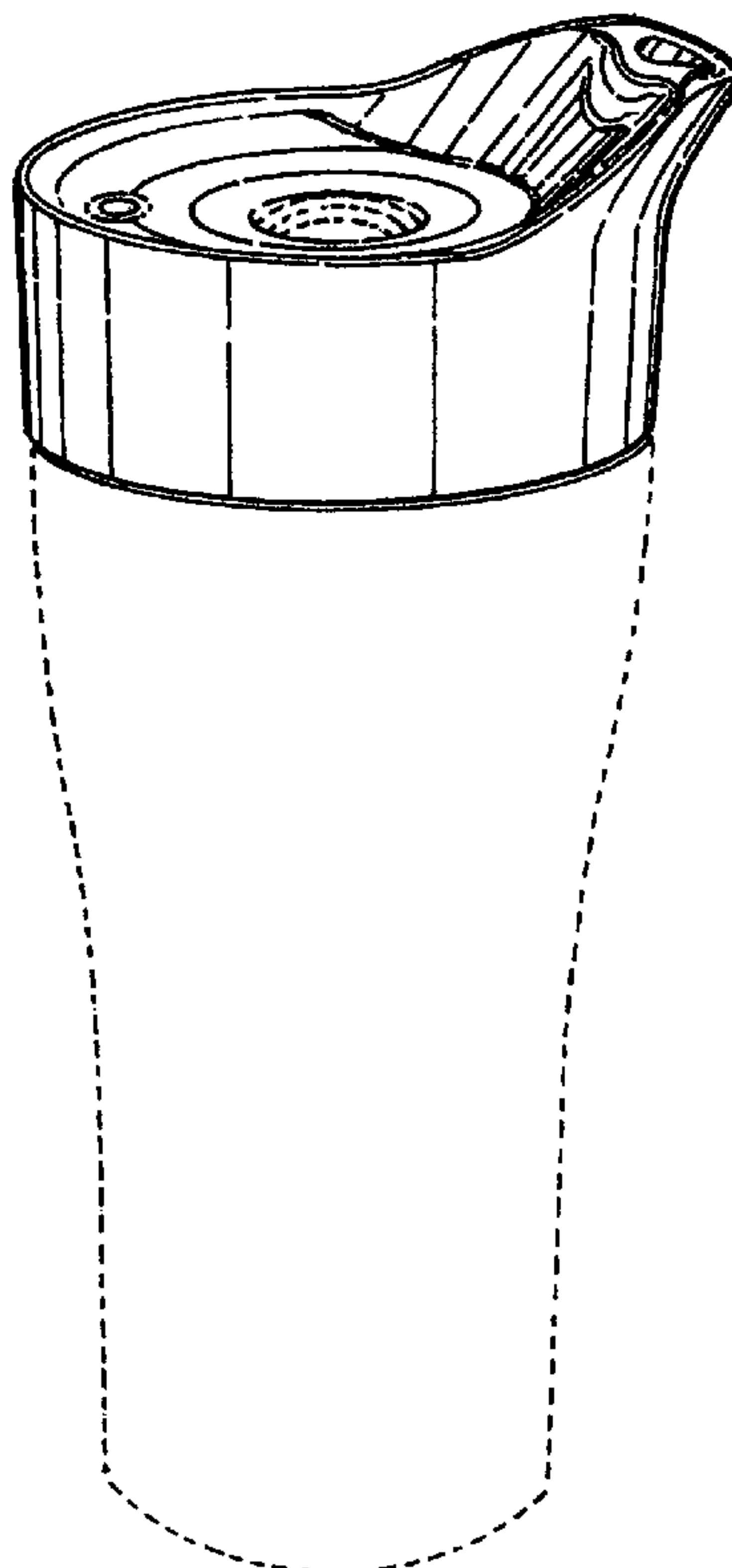
FIG. 6 is a bottom view thereof; and,

FIG. 7 is a perspective view thereof.

The broken lines in FIGS. 1-4, FIG. 6 and FIG. 7 that depict
the body of the travel mug represent environment and are not
claimed subject matter.

The broken lines in FIGS. 5 and 7 that depict the push-button
at the center of the top and that depict the air hole at the top
represent environment and are not claimed subject matter.

1 Claim, 6 Drawing Sheets



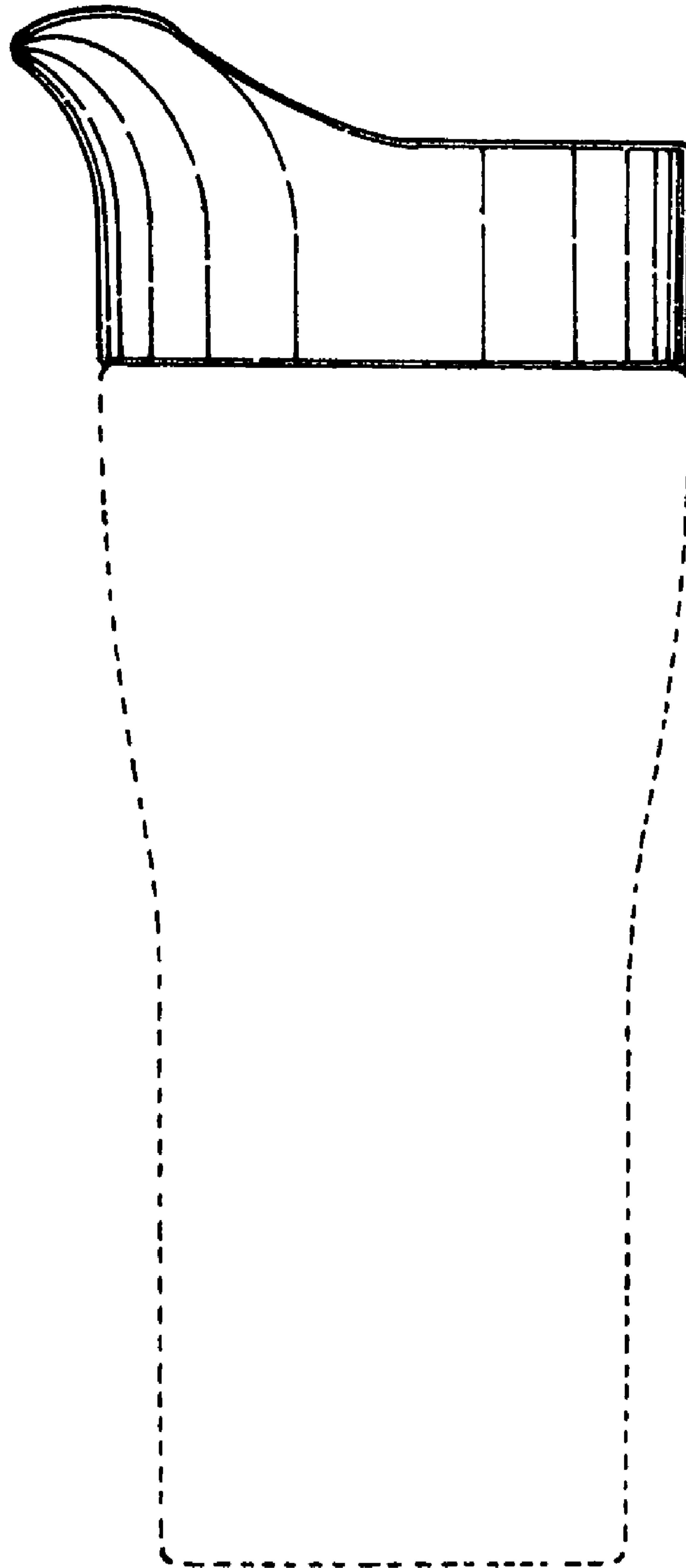


FIG. 1

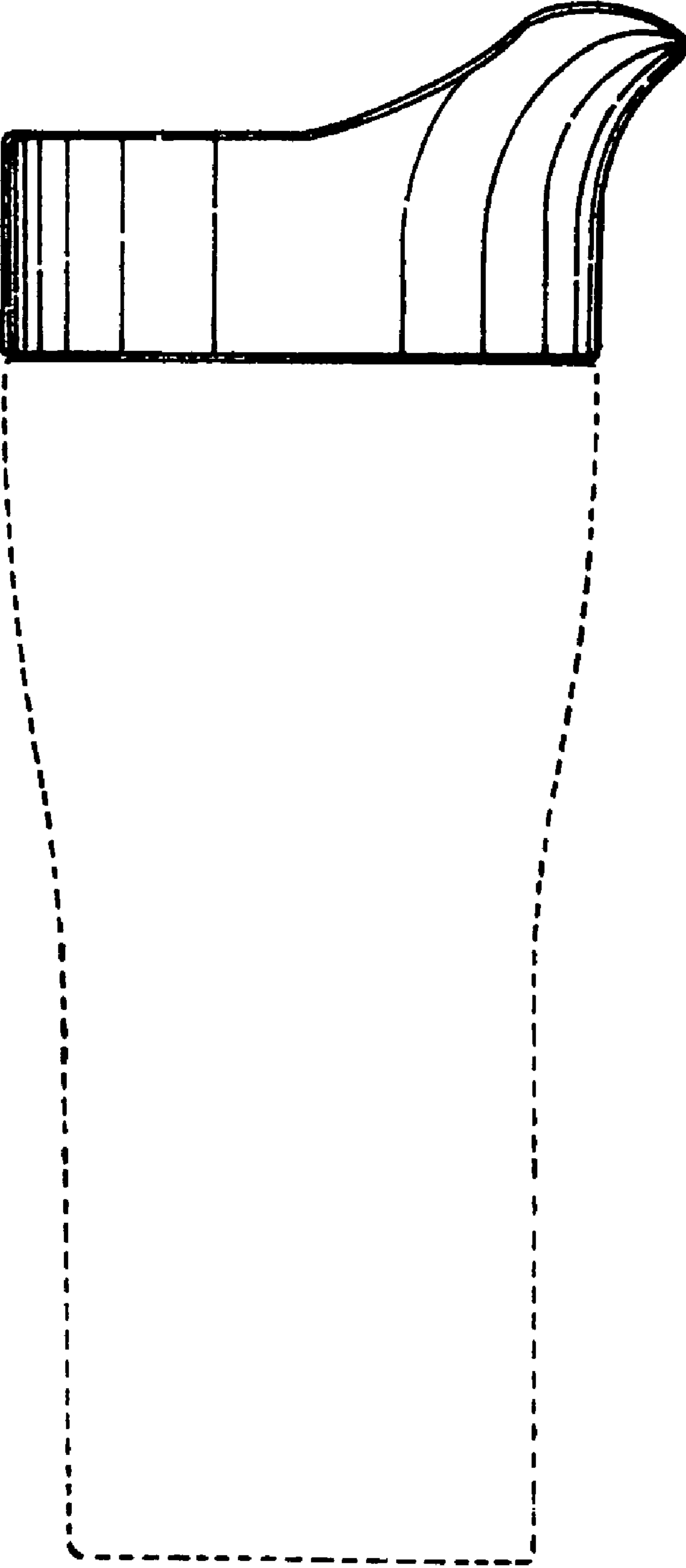


FIG. 2

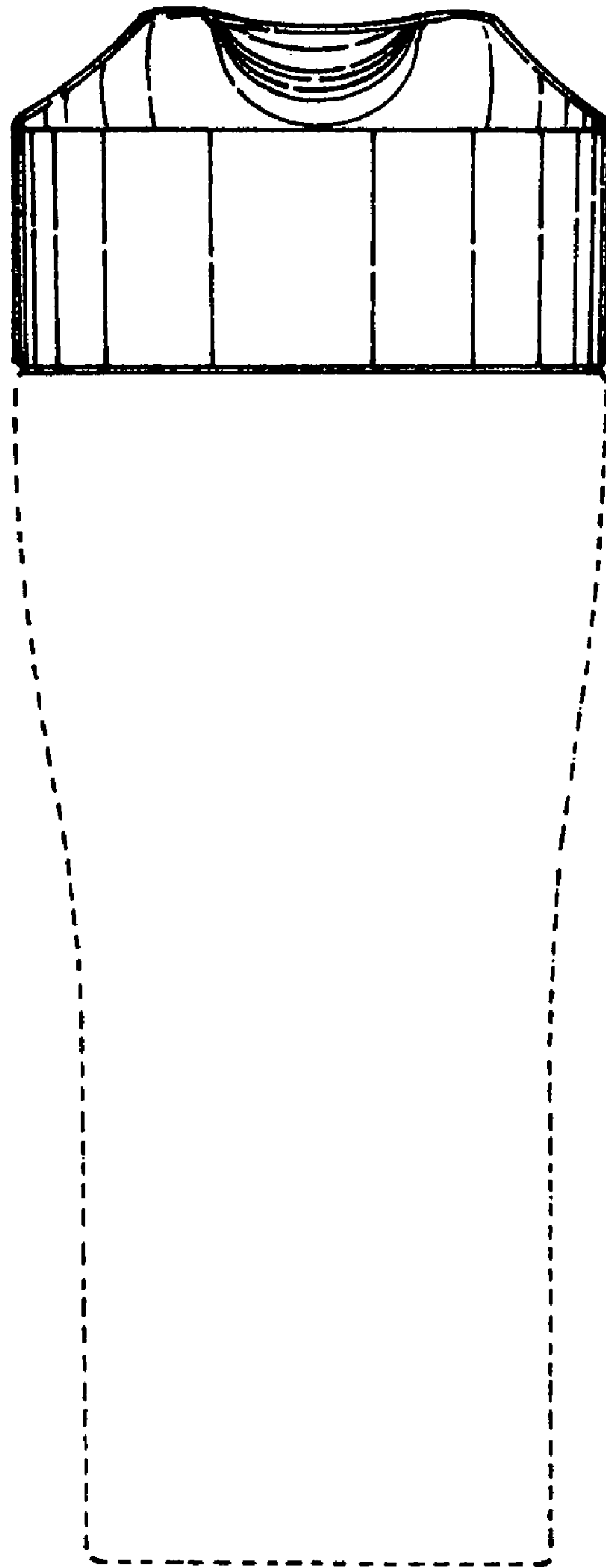


FIG. 3

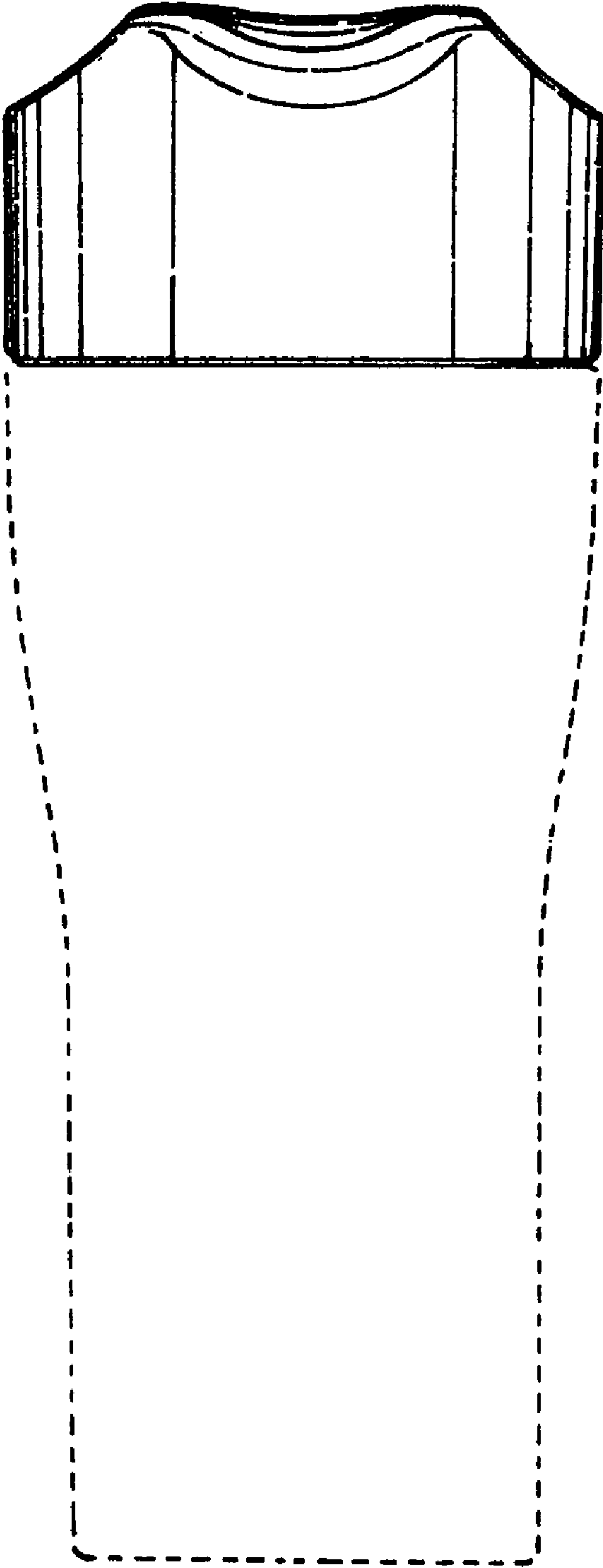


FIG. 4

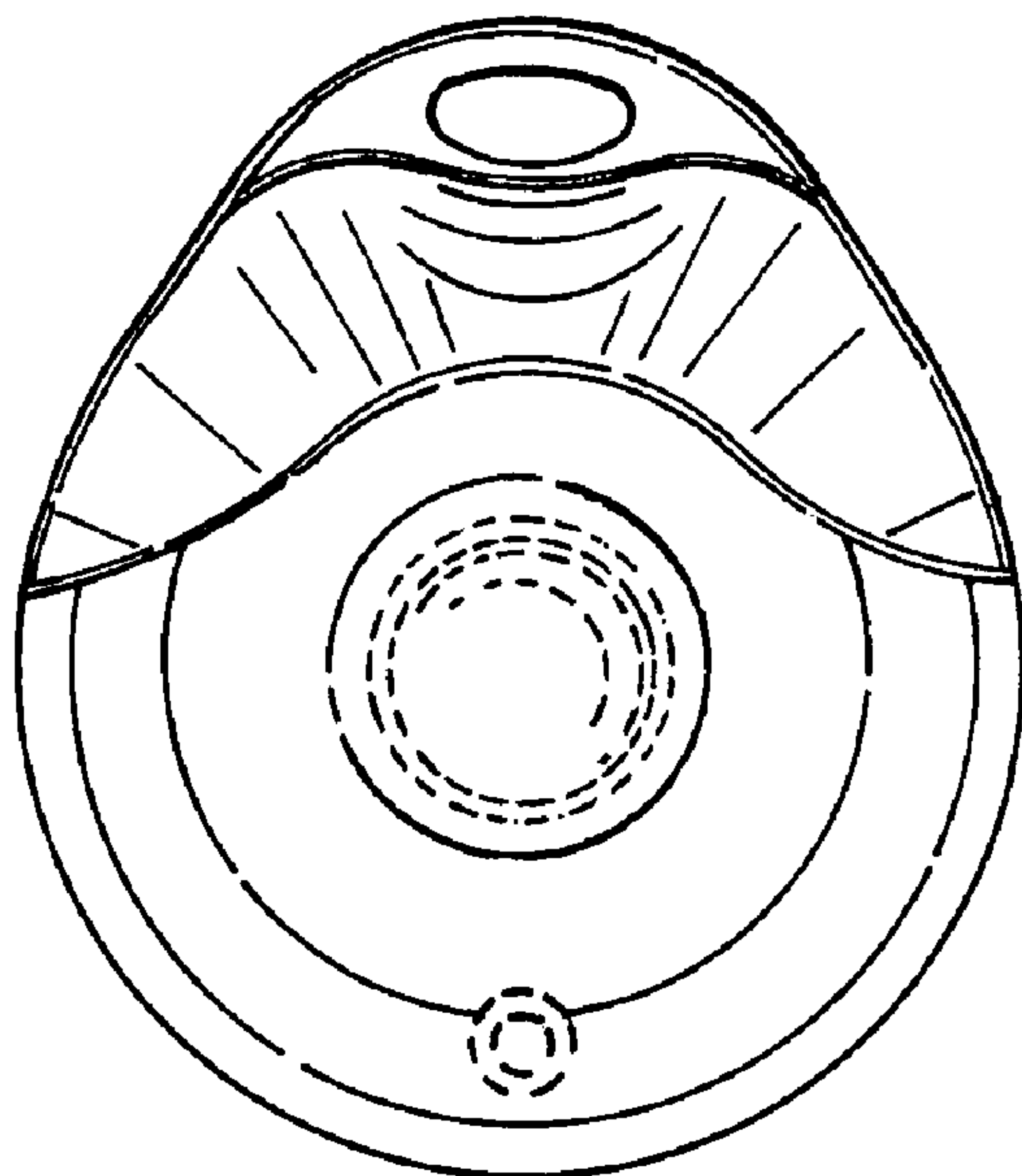


FIG. 5

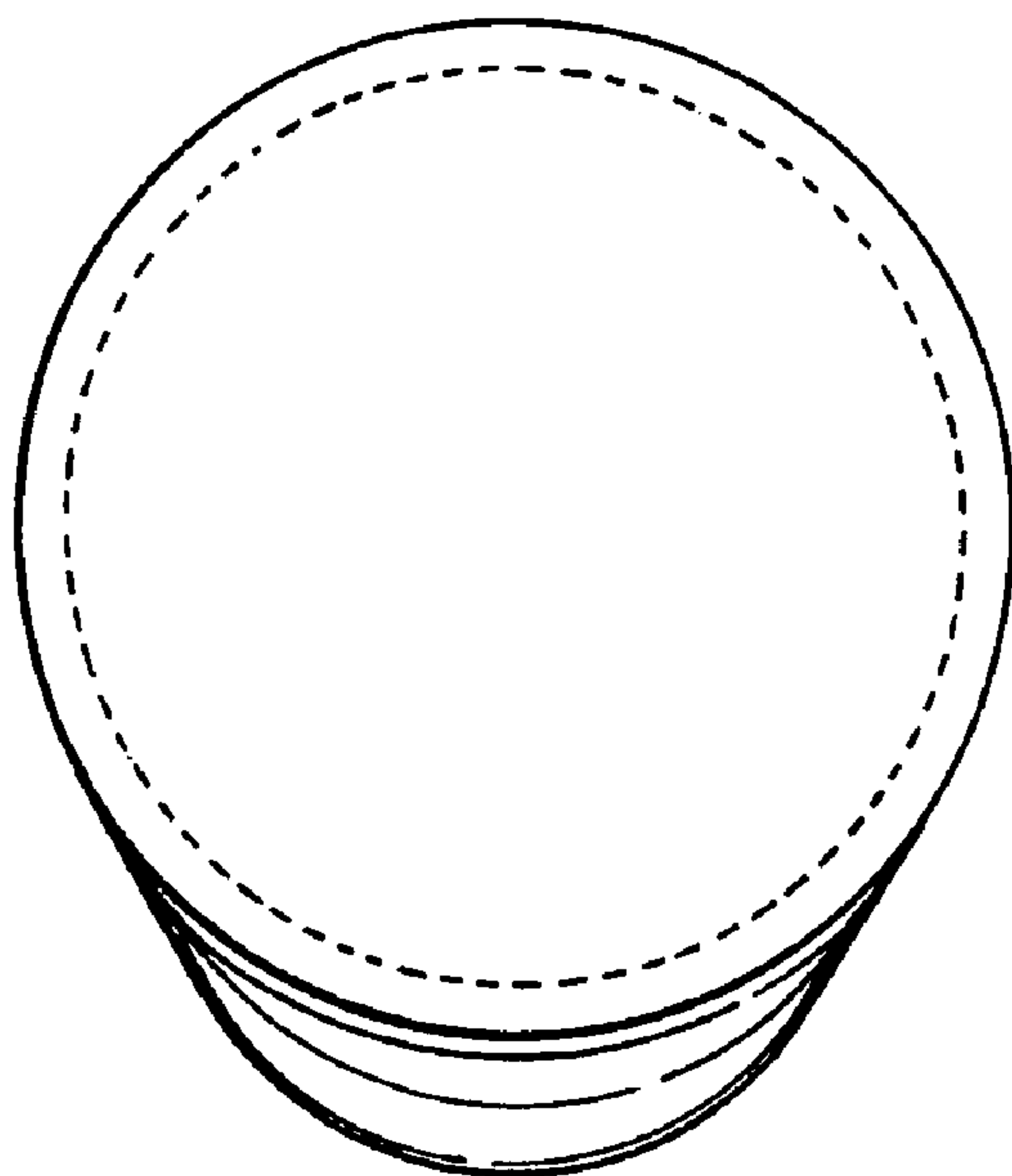


FIG. 6

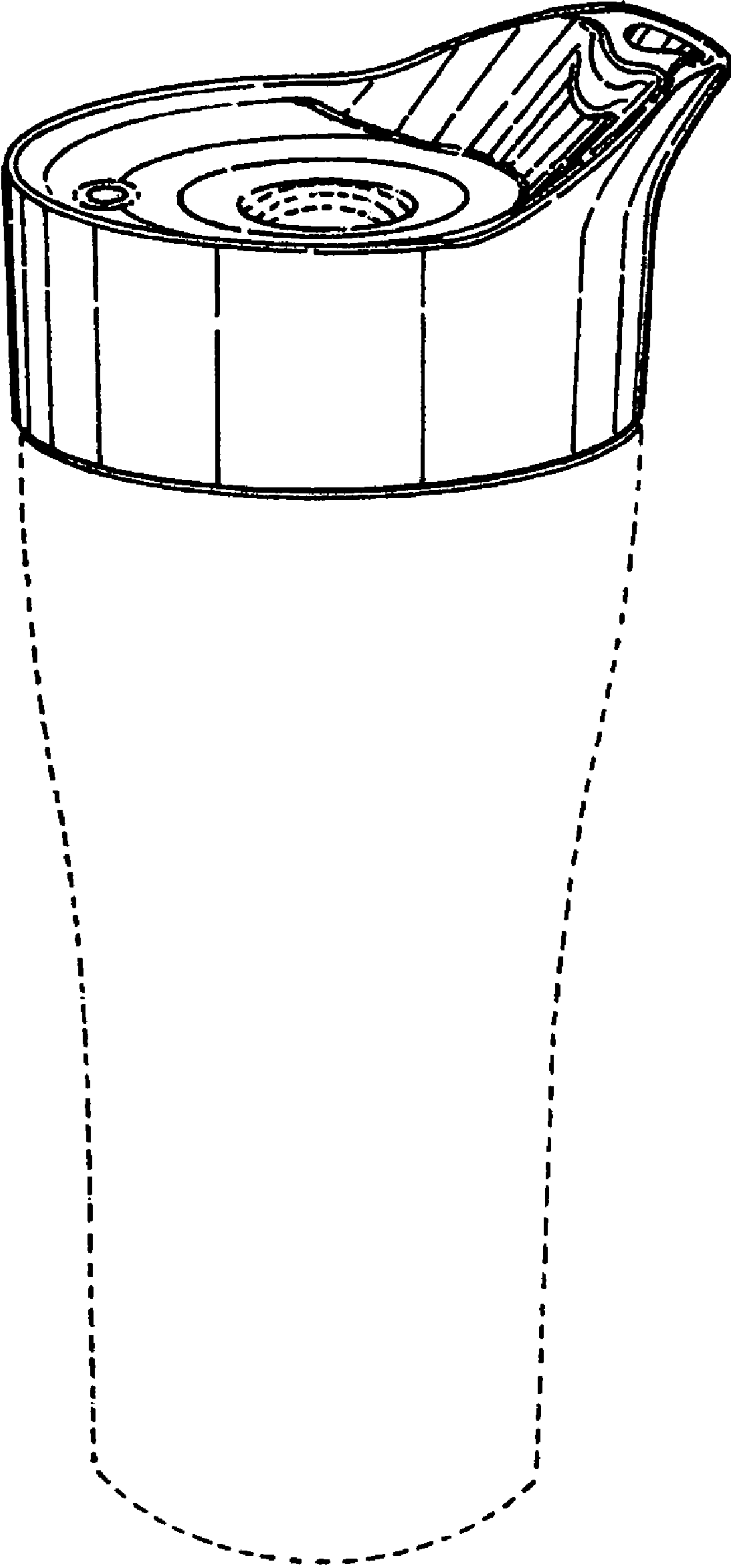


FIG. 7