



US00D562061S

(12) **United States Design Patent**
Schönherr et al.

(10) **Patent No.:** **US D562,061 S**

(45) **Date of Patent:** **** Feb. 19, 2008**

(54) **HANDLE**

D466,357 S * 12/2002 Bornancini D7/320

(75) Inventors: **Tom Schönherr**, Stuttgart (DE);
Fabian Kollmann, Stuttgart (DE);
Andreas Haug, Stuttgart (DE)

* cited by examiner

Primary Examiner—Holly H. Baynham

Assistant Examiner—Cynthia M. Chin

(73) Assignee: **Hansgrohe AG** (DE)

(74) *Attorney, Agent, or Firm*—Leon E. Redman; Lloyd D. Doigan

(**) Term: **14 Years**

(57) **CLAIM**

(21) Appl. No.: **29/247,348**

The ornamental design for a handle, as shown and described.

(22) Filed: **Jun. 13, 2006**

DESCRIPTION

(51) **LOC (8) Cl.** **07-02**

FIG. 1 is a front perspective view of a handle showing our design;

(52) **U.S. Cl.** **D7/393**

FIG. 2 is a top plan view thereof;

(58) **Field of Classification Search** D7/393,
D7/664, 317, 320, 608; D8/107, 307, 300;
16/430, 431, 110.1, 407; 220/752, 753, 756,
220/757, 759

FIG. 3 is a right side elevational view thereof; the left side elevational view being a mirror image thereof;

See application file for complete search history.

FIG. 4 is a front elevational view thereof; and,

FIG. 5 is a rear elevational view thereof.

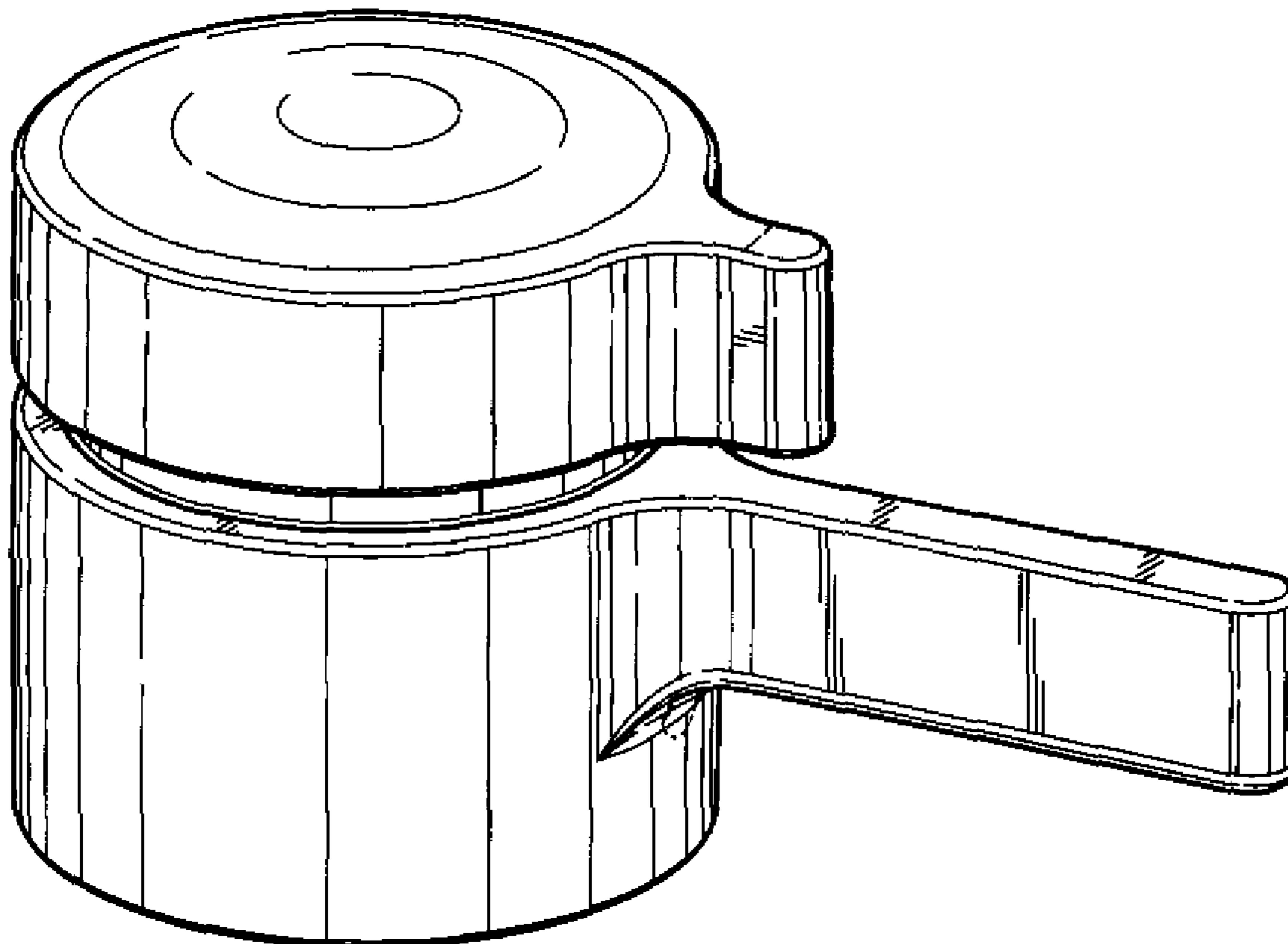
(56) **References Cited**

The broken lines in the Figures are for illustrative purposes only and form no part of the claimed design.

U.S. PATENT DOCUMENTS

D337,020 S * 7/1993 Huang D7/317
D459,157 S * 6/2002 Manning D7/608

1 Claim, 3 Drawing Sheets



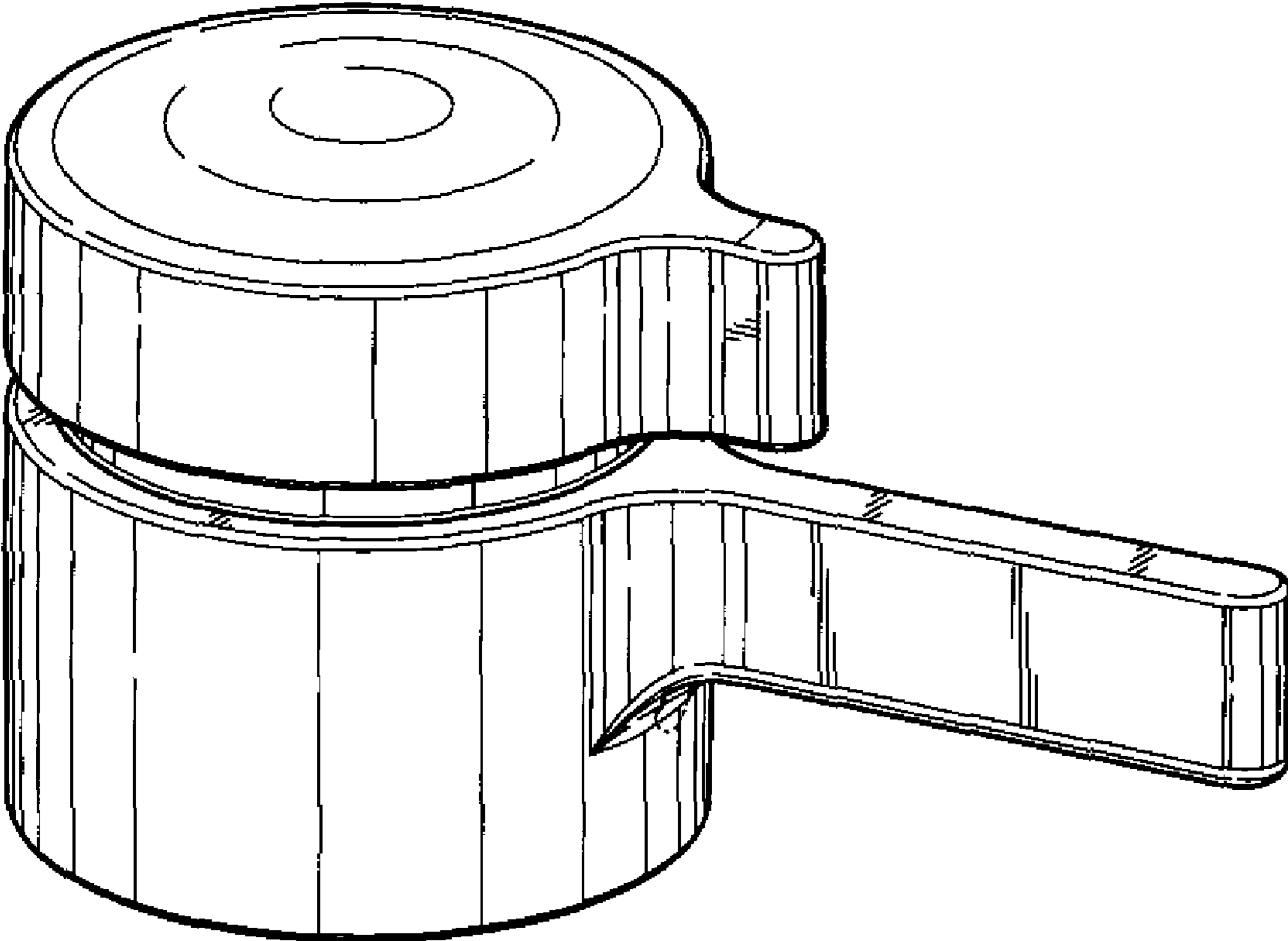


FIG. 1

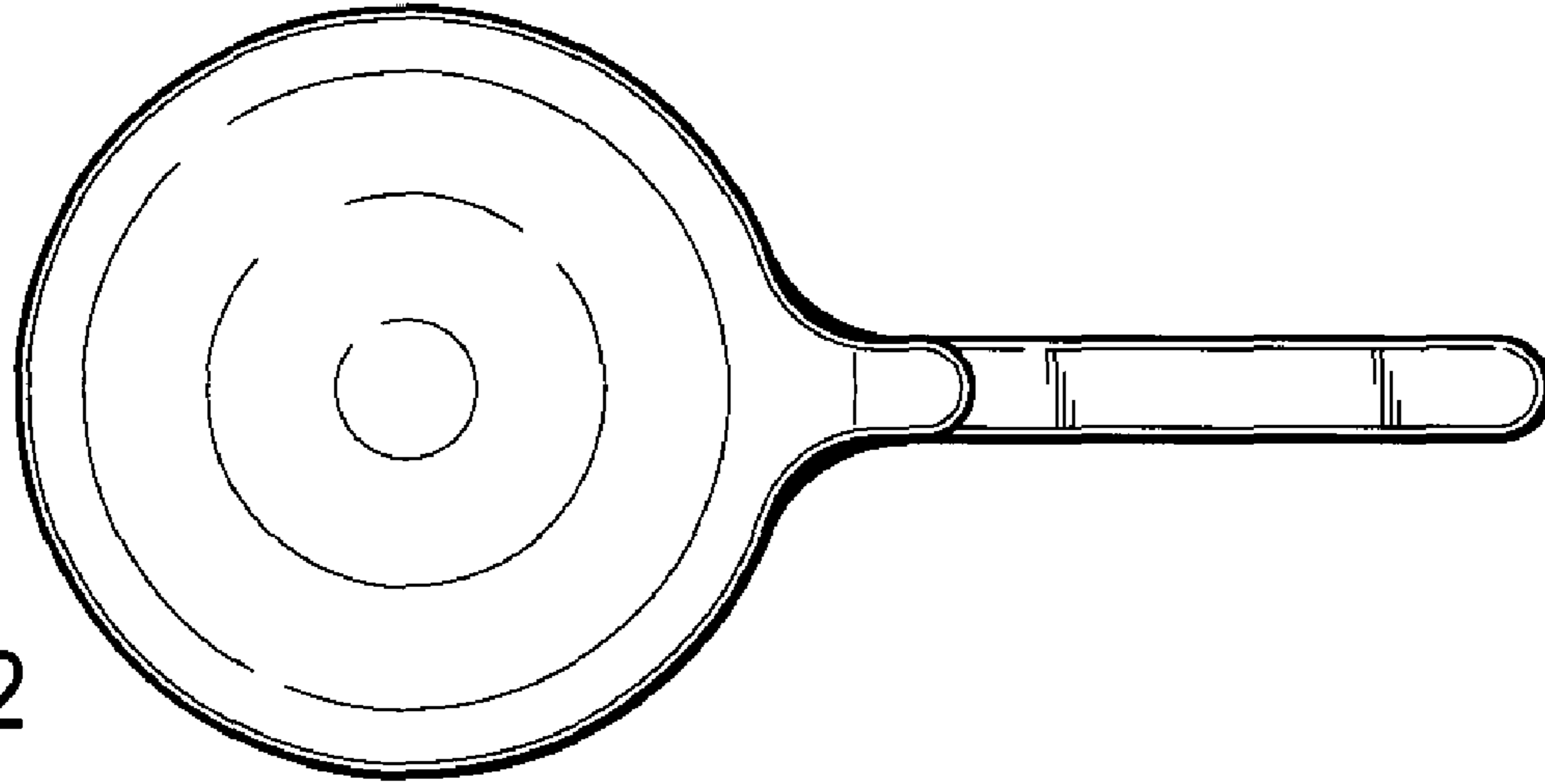


FIG. 2

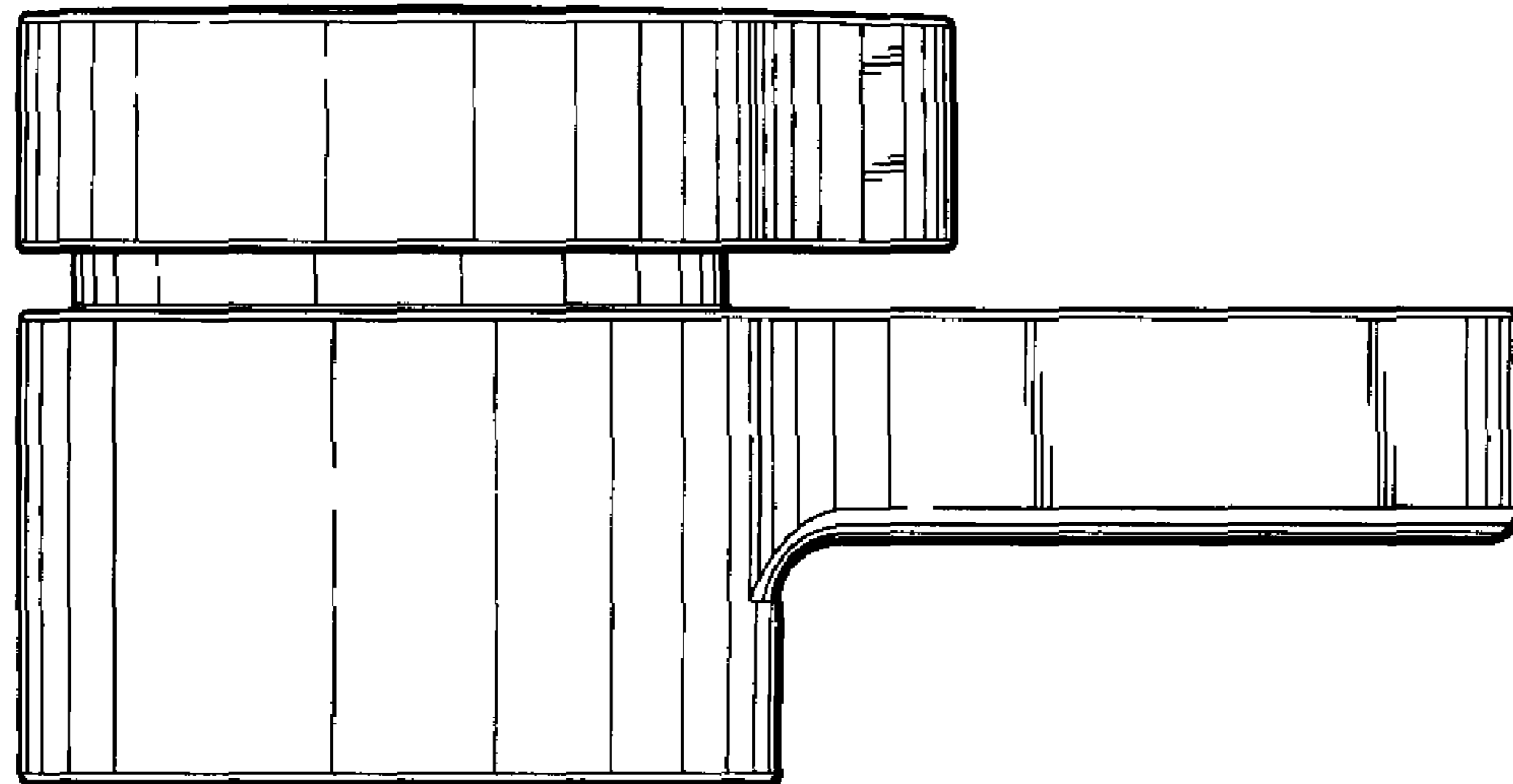


FIG. 3

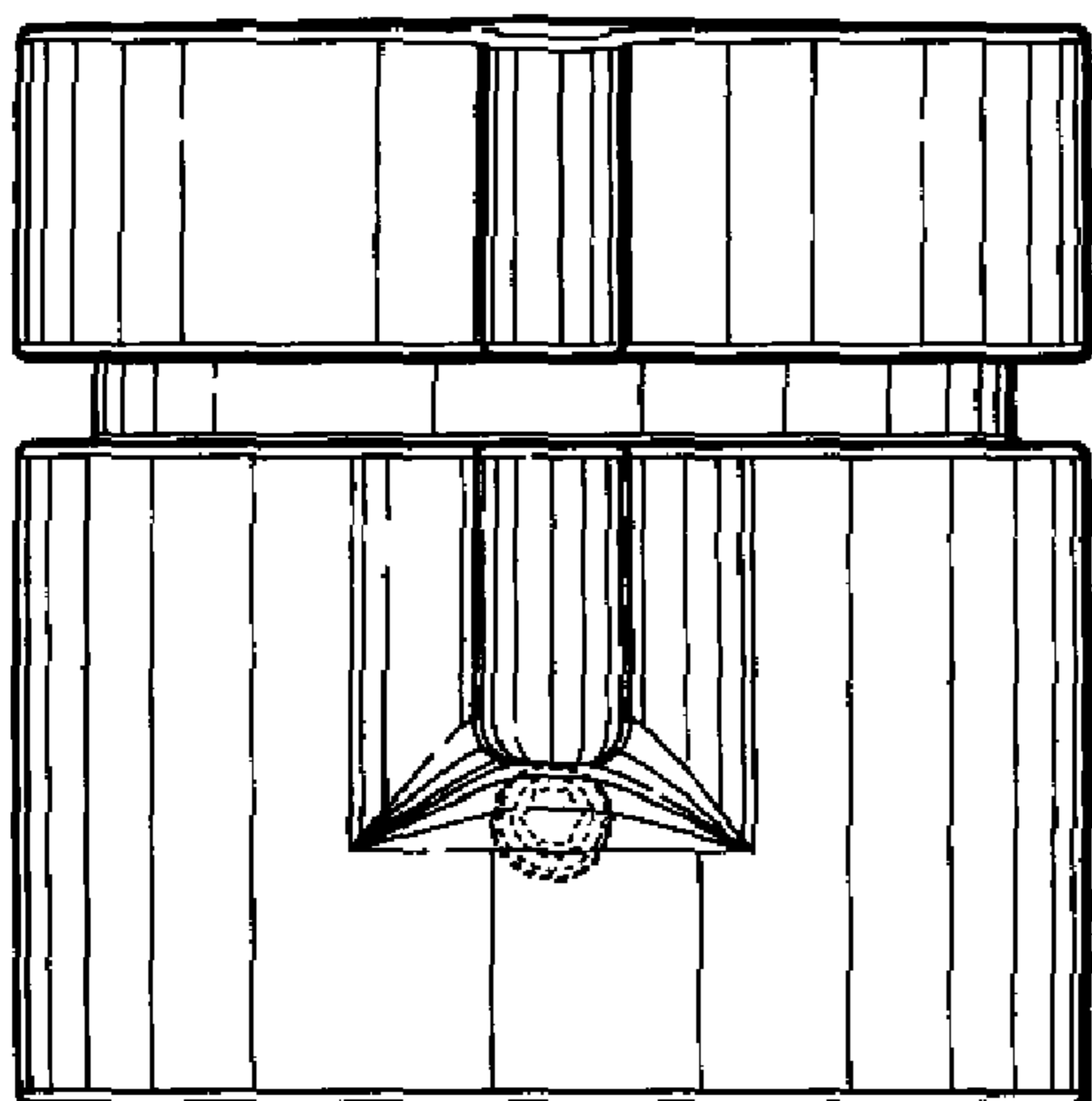


FIG. 4

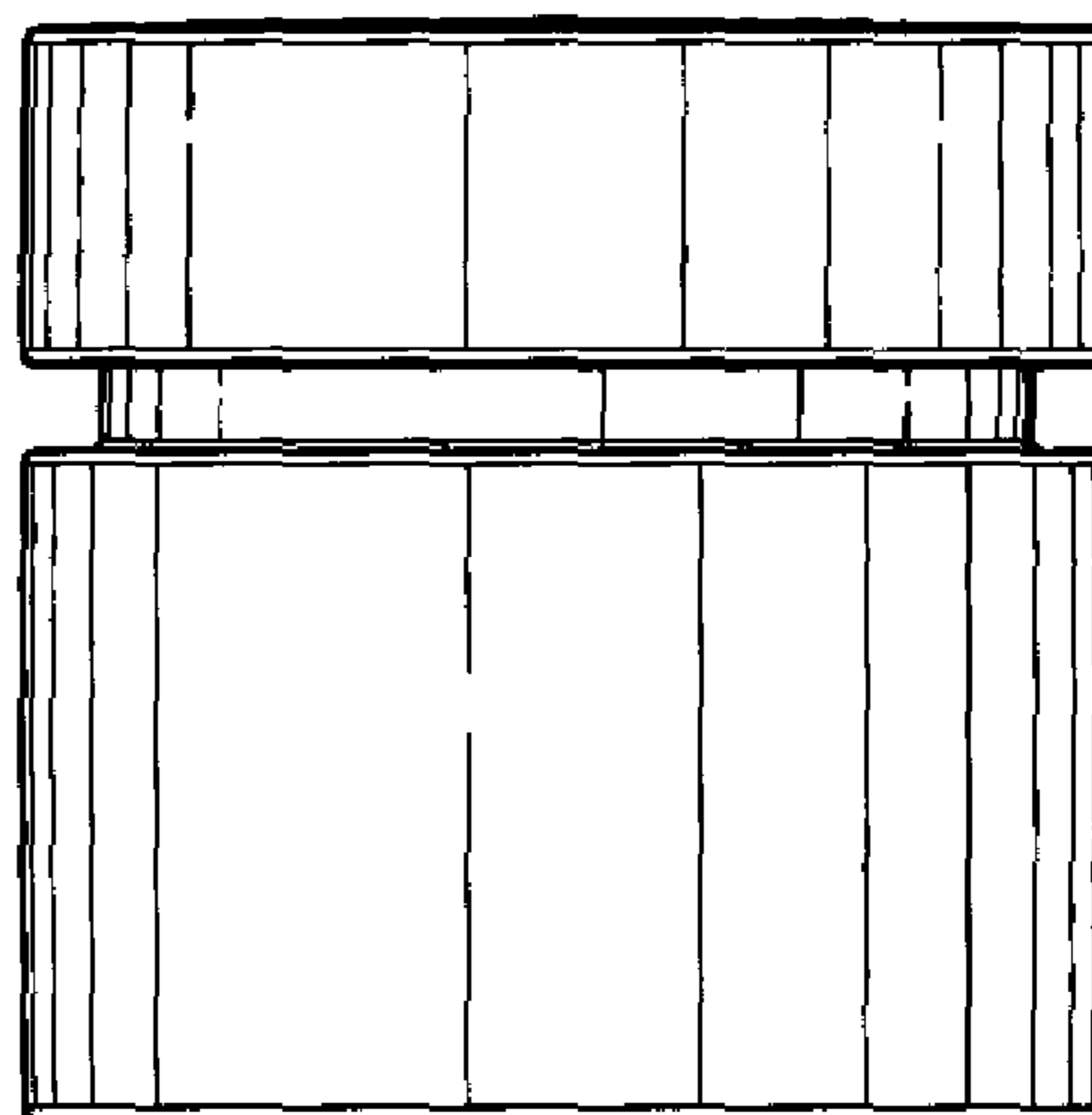


FIG. 5