



US00D562060S

(12) **United States Design Patent**
Kloppsteck

(10) **Patent No.:** **US D562,060 S**

(45) **Date of Patent:** **** Feb. 19, 2008**

- (54) **PAN**
- (75) Inventor: **Gerd Kloppsteck**, Arnsberg (DE)
- (73) Assignee: **Heinrich Berndes GmbH & Co. KG**, Arnsberg (DE)
- (**) Term: **14 Years**
- (21) Appl. No.: **29/219,648**
- (22) Filed: **Dec. 21, 2004**

- (30) **Foreign Application Priority Data**
Jun. 23, 2004 (EM) 194 477
- (51) **LOC (8) Cl.** **07-02**
- (52) **U.S. Cl.** **D7/361**
- (58) **Field of Classification Search** D7/391-393,
D7/323, 354-361, 395-396; 16/110.1, 405-407,
16/431, 441; 220/573.1, 2, 3, 573.4, 5, 574;
219/725, 732; 99/324, 331
See application file for complete search history.

- (56) **References Cited**
U.S. PATENT DOCUMENTS
1,441,712 A * 1/1923 Arthur 220/287
D179,087 S * 10/1956 Kelso D7/352
D191,877 S * 12/1961 Hvale D7/395
D281,481 S * 11/1985 Geiser D7/361
5,121,848 A * 6/1992 Waligorski 220/755
D370,826 S * 6/1996 Thurlow D7/360
D375,433 S * 11/1996 Jorgensen D7/354
D377,883 S * 2/1997 Candianides D7/361
D380,934 S * 7/1997 Alarid, Jr. D7/354
D392,152 S * 3/1998 Rae D7/402
D426,107 S * 6/2000 Cheng D7/393
D445,642 S * 7/2001 Rae D7/393
D446,079 S * 8/2001 Rae D7/395

- D450,217 S * 11/2001 Rae D7/393
- D470,716 S * 2/2003 Kloppsteck D7/361
- D479,434 S * 9/2003 Lin D7/395
- D485,483 S * 1/2004 Heathcock et al. D8/107
- D498,640 S * 11/2004 Kloppsteck et al. D7/361
- D508,820 S * 8/2005 Wong D7/393
- D509,403 S * 9/2005 Raydo D7/361
- D521,313 S * 5/2006 Pukall et al. D7/361
- D537,671 S * 3/2007 Hoenstein D7/361
- D537,672 S * 3/2007 Hoenstein D7/361

OTHER PUBLICATIONS

- FactoryDirect2you, <http://www.factorydirect2you.com/mc3.html>, Nov. 9, 2006.*
- Williams-Sonoma, <http://www.williams-sonoma.com/products/c038/index.cfm?pkey=cckwfomi&cm%5Fsrc=None>, Nov. 9, 2006.*
- Target, http://www.target.com/gp/detail.html/sr=1-11/qid=1163103910/ref=sr_1_11/602-9804345-6169444?ie=UTF8&asin=B000EOOBSY, Nov. 9, 2006*

* cited by examiner

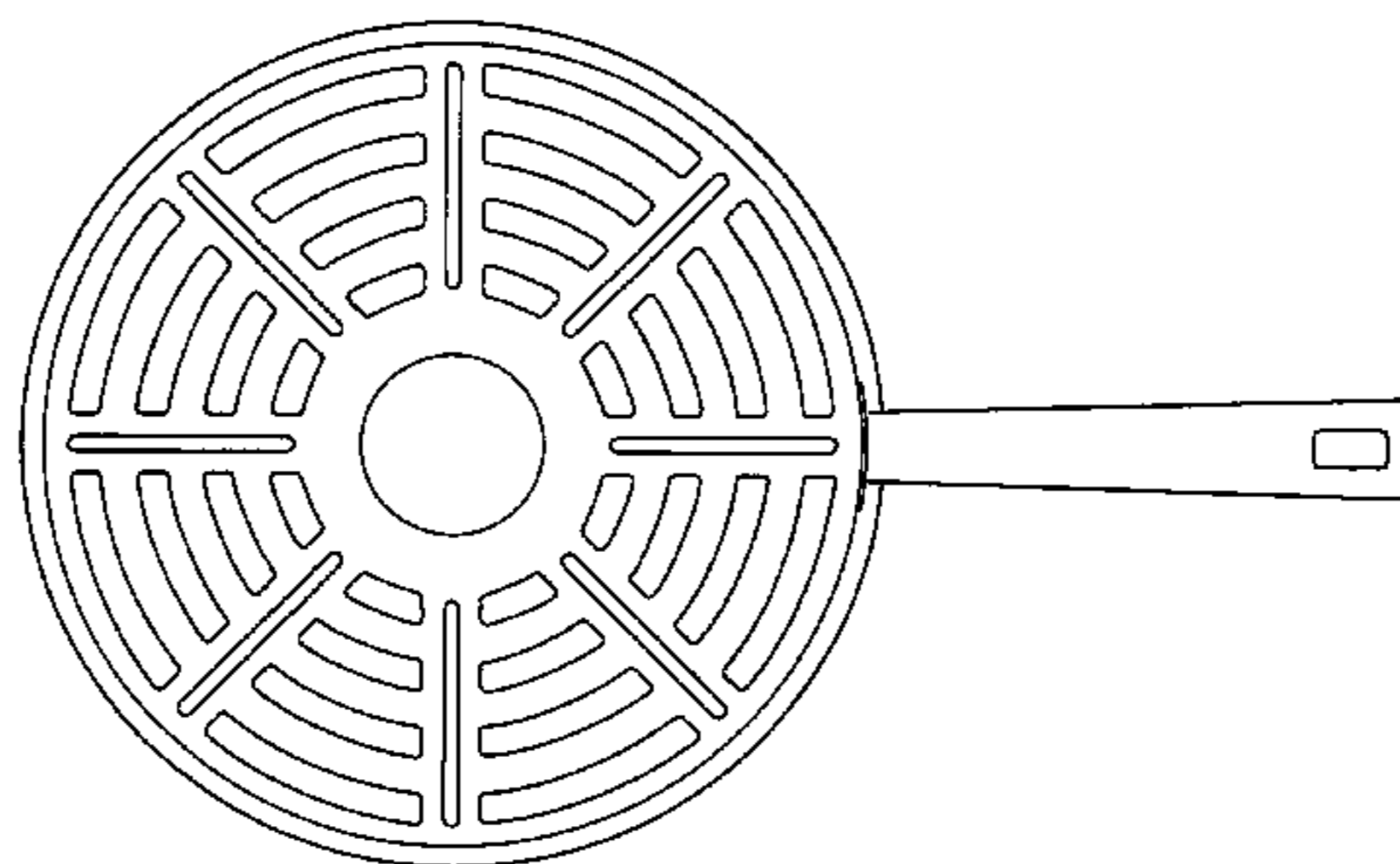
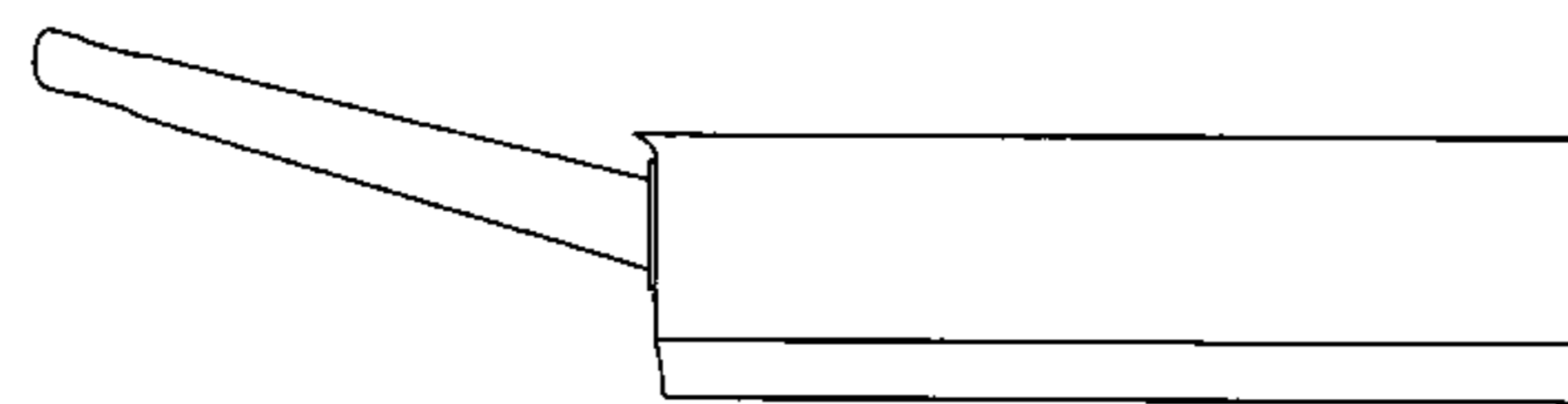
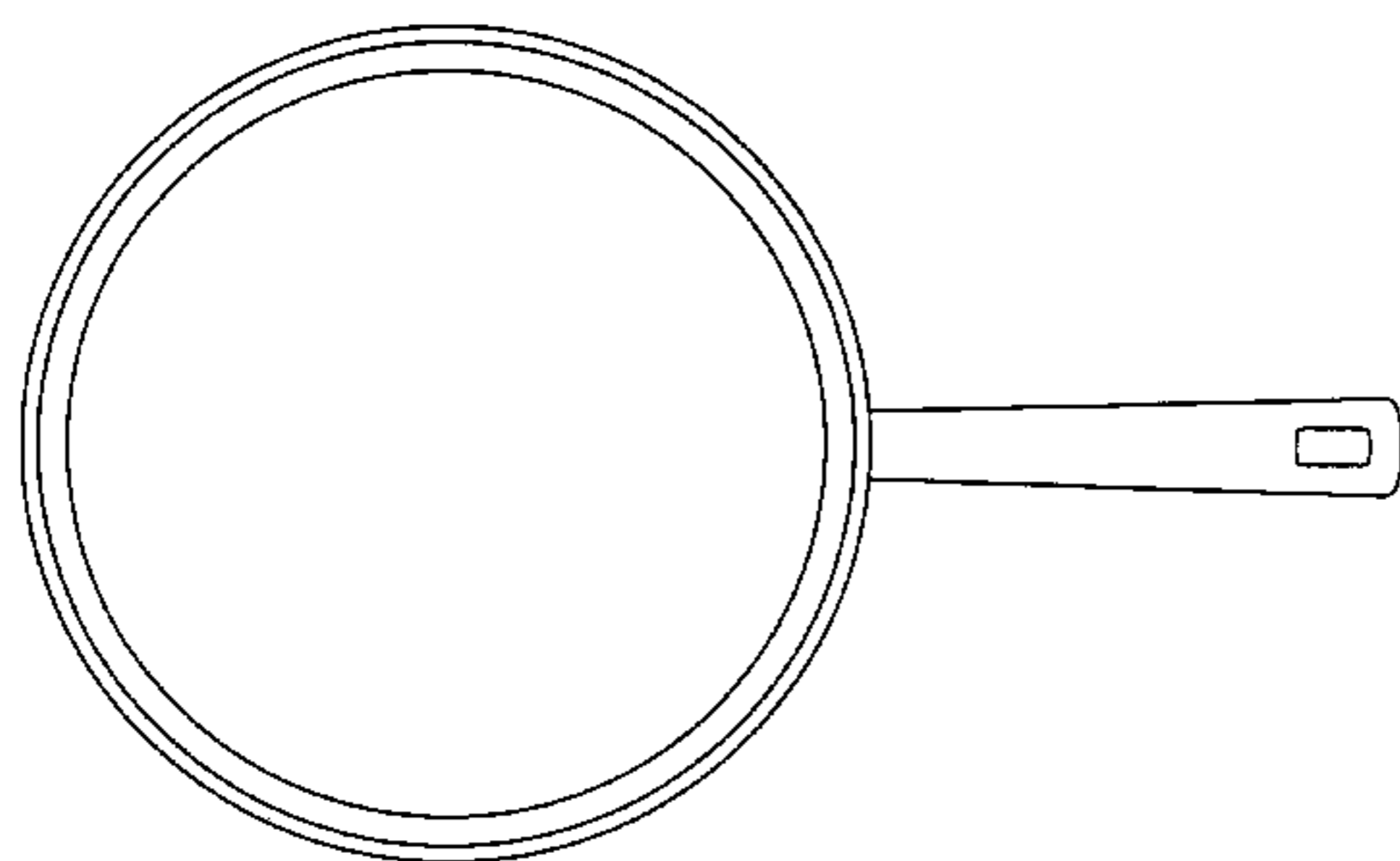
Primary Examiner—Cathron C. Brooks
Assistant Examiner—Kelley A. Donnelly
(74) *Attorney, Agent, or Firm*—Hoffman Wasson & Gitler

- (57) **CLAIM**
The ornamental design for a pan, as shown and described.

DESCRIPTION

FIG. 1 is a top view of a pan;
FIG. 2 is a left side view thereof;
FIG. 3 is a bottom view thereof;
FIG. 4 is a right side view thereof;
FIG. 5 is a front view thereof; and,
FIG. 6 is a back view thereof.

1 Claim, 6 Drawing Sheets



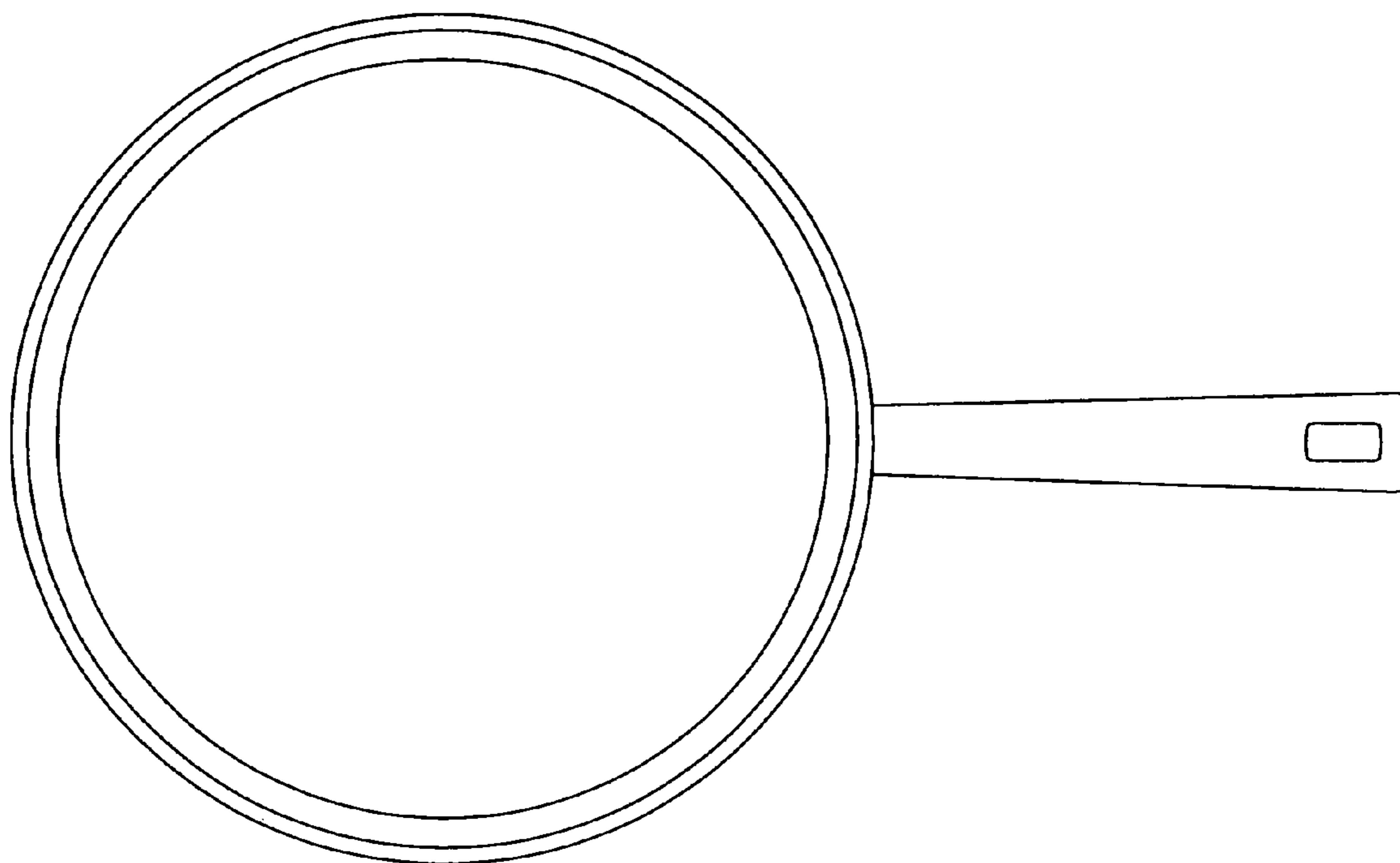


FIG. 1

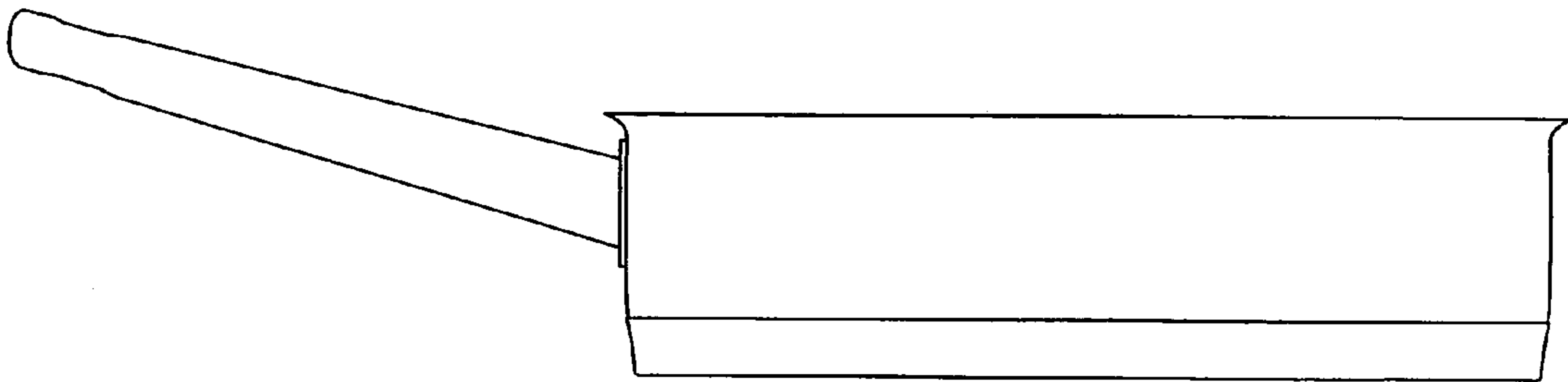


FIG. 2

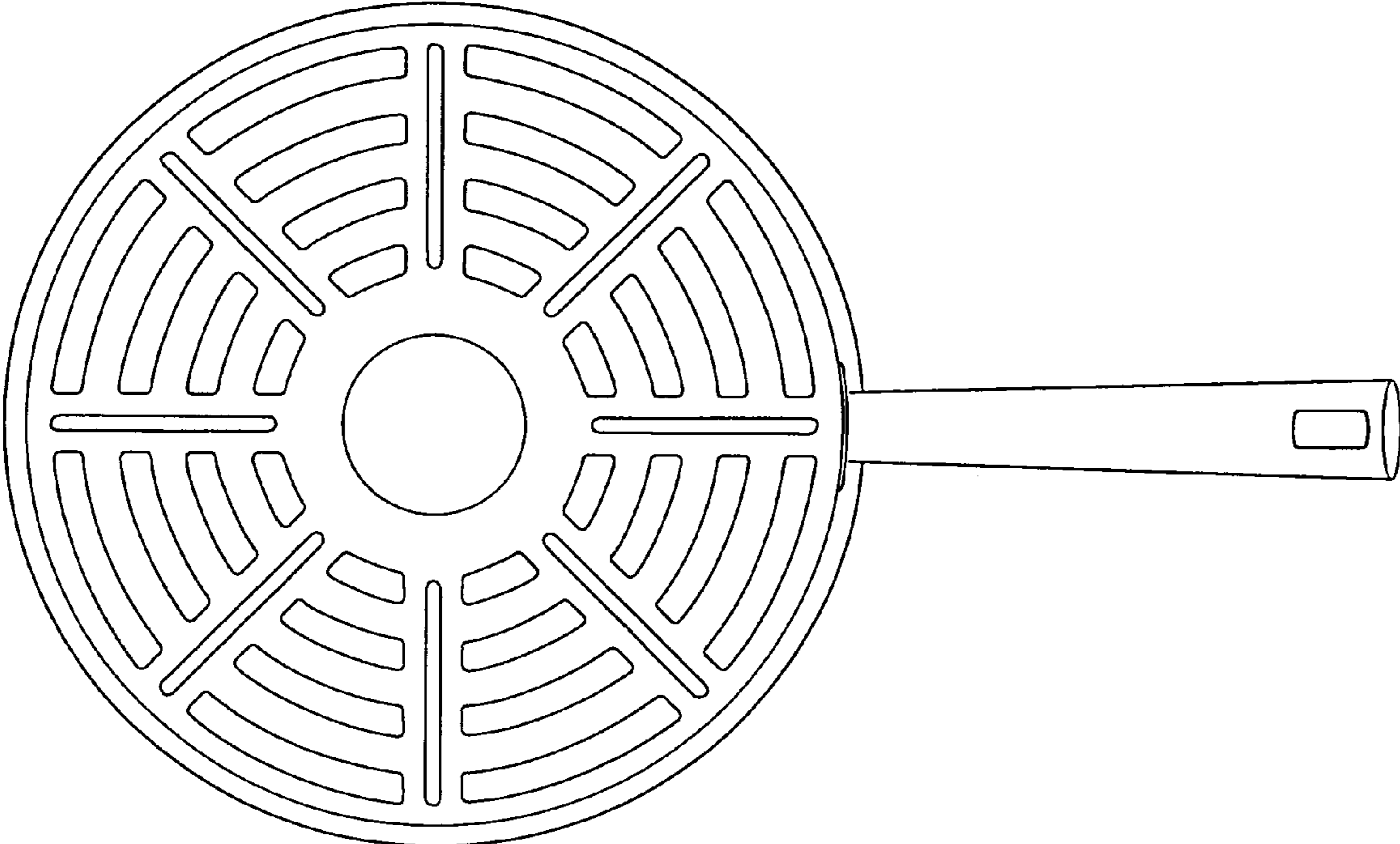


FIG. 3

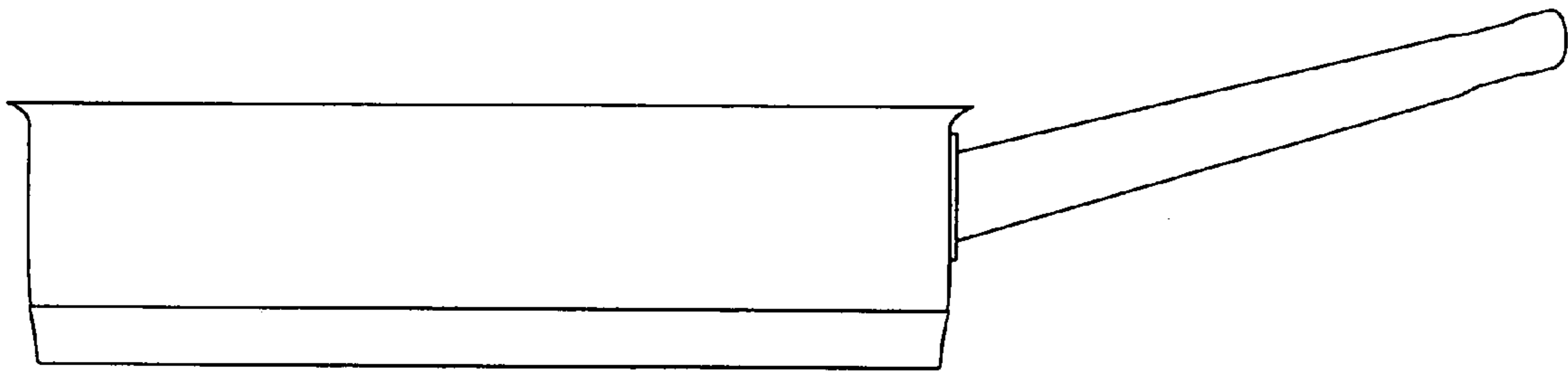


FIG. 4

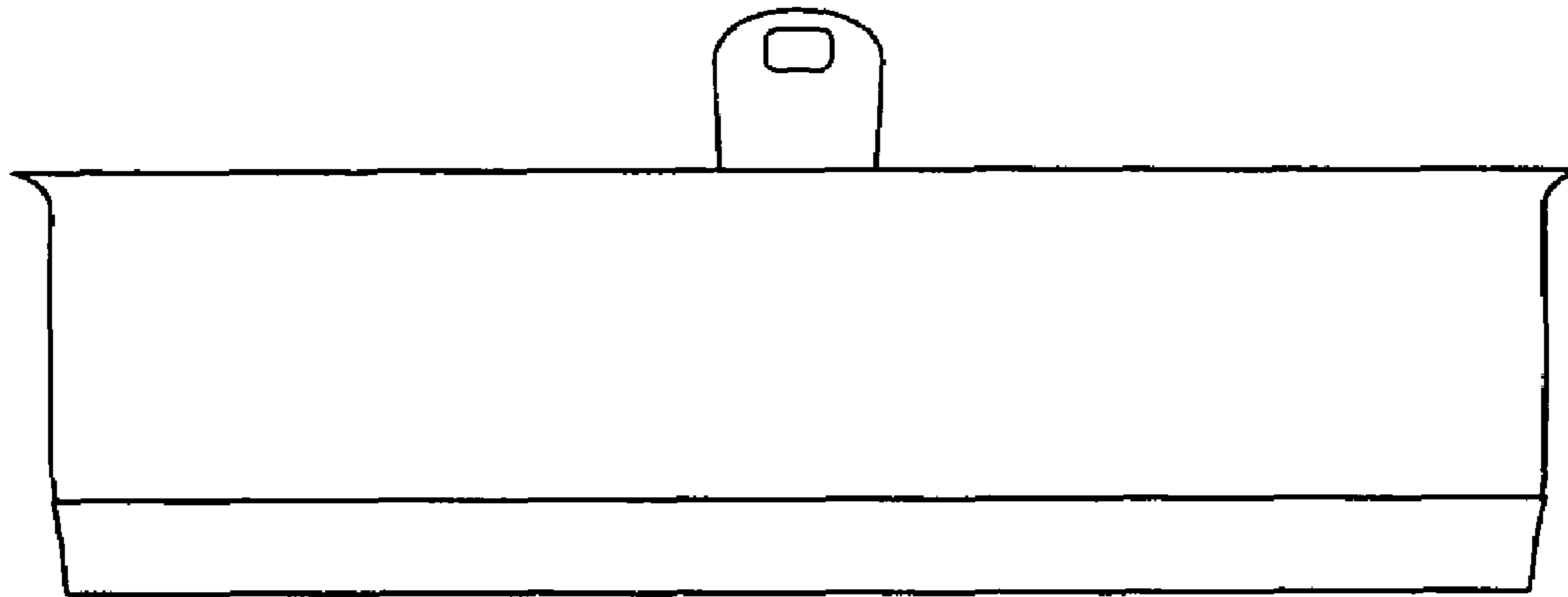


FIG. 5

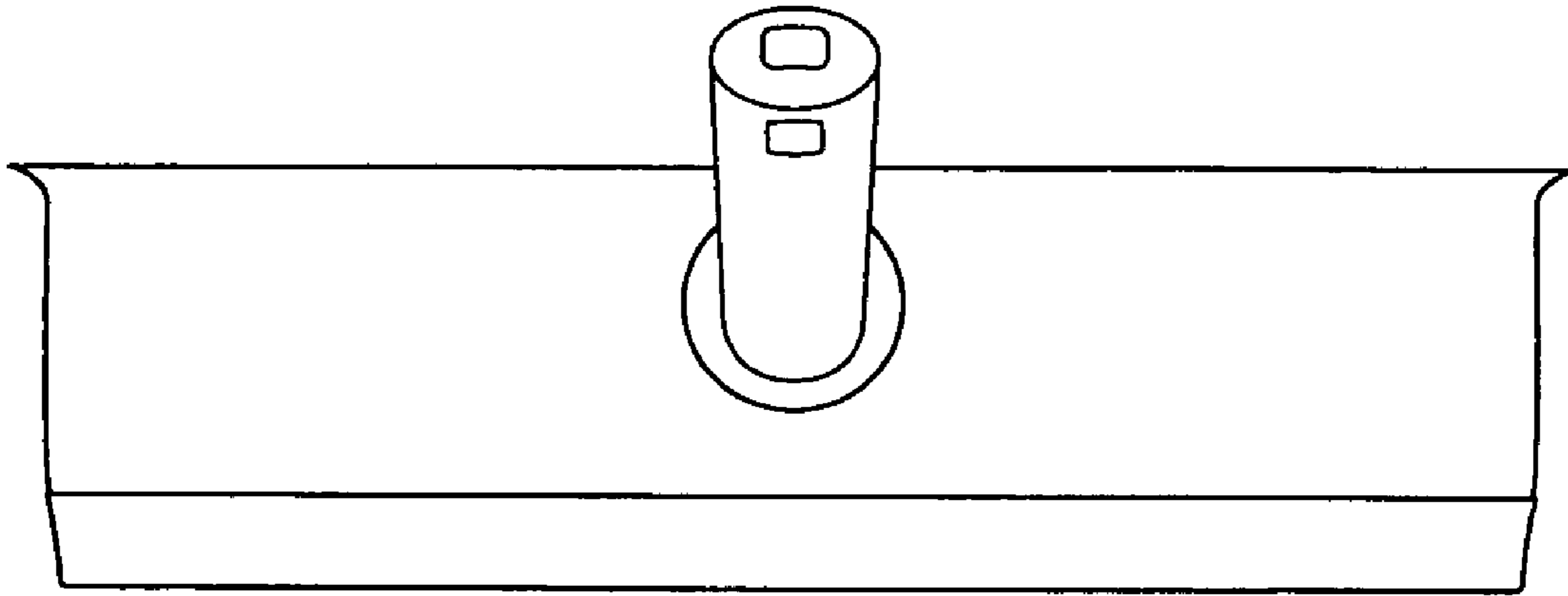


FIG. 6