



US00D562058S

(12) **United States Design Patent**
Costa

(10) **Patent No.:** **US D562,058 S**

(45) **Date of Patent:** **** Feb. 19, 2008**

(54) **BAKING PAN**

(76) **Inventor:** **Abel Costa**, 97 Cedar La., San Jose,
CA (US) 95127

(**) **Term:** **14 Years**

(21) **Appl. No.:** **29/281,908**

(22) **Filed:** **Jul. 5, 2007**

(51) **LOC (8) Cl.** **07-02**

(52) **U.S. Cl.** **D7/354**

(58) **Field of Classification Search** D7/323,
D7/354, 356, 357, 359, 360, 409, 500, 552,
D7/554.1, 554.2, 554.3, 554.4, 556, 672;
D9/456; D15/90; 99/422, 425, 426, 428,
99/430, 432, 439-442, 444, 446, DIG. 15;
206/557, 561-564; 220/405, 445, 447, 469,
220/500, 507, 508, 553, 555, 575, 626
See application file for complete search history.

(56) **References Cited**

U.S. PATENT DOCUMENTS

D210,971 S * 5/1968 Rasmusson D7/672
D435,391 S * 12/2000 Durst D7/354

D435,756 S * 1/2001 Emrich D7/354
D507,451 S * 7/2005 Land D7/357
D529,071 S * 9/2006 Blake D17/20

* cited by examiner

Primary Examiner—Caron D. Veynar

Assistant Examiner—Ricky Pham

(74) *Attorney, Agent, or Firm*—Intellectual Property Law
Group LLP; Otto O. Lee; Juneko Jackson

(57) **CLAIM**

The ornamental design for a baking pan, as shown.

DESCRIPTION

FIG. 1 is a perspective view of a baking pan embodying my
new design;

FIG. 2 is a top plan view thereof;

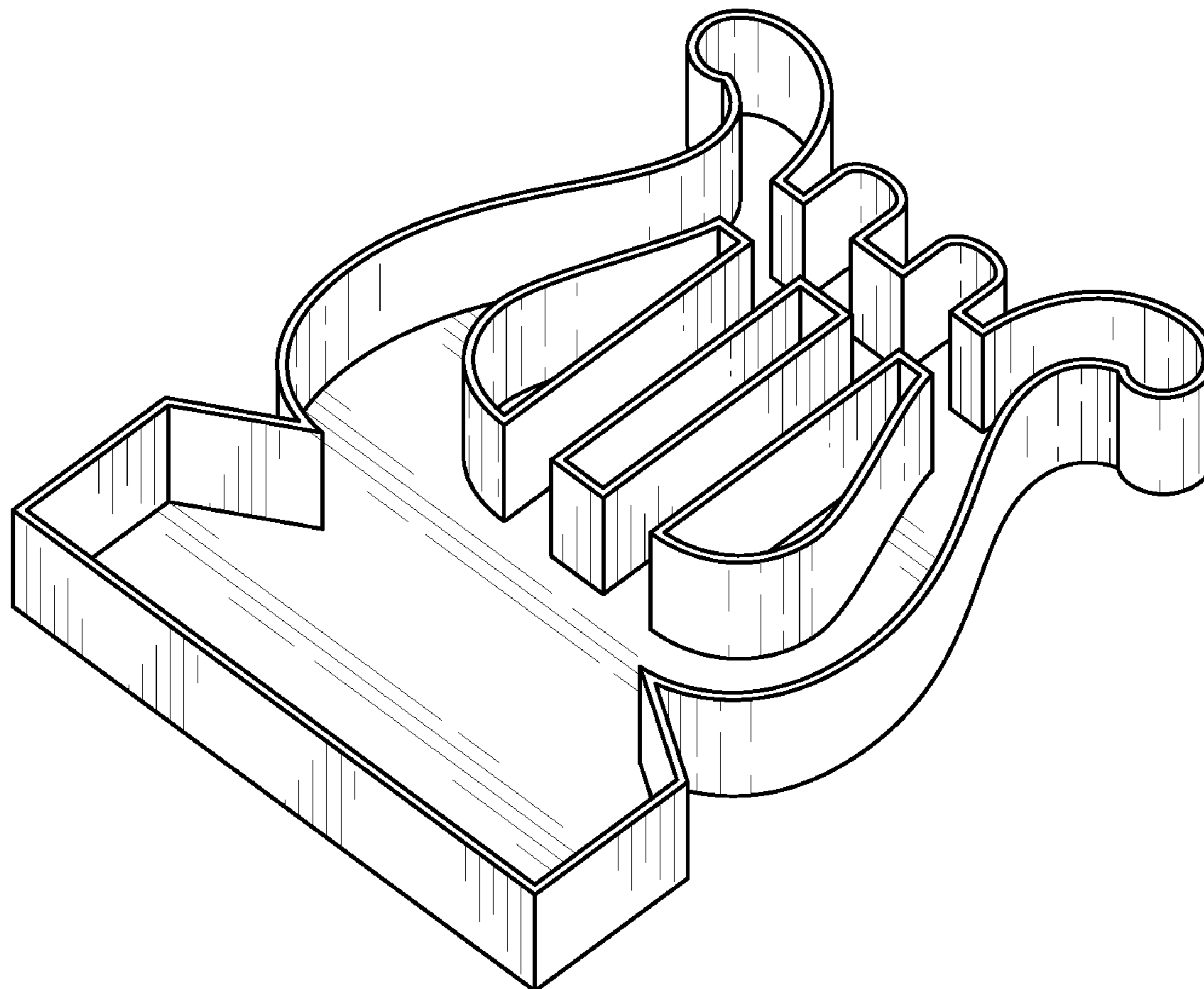
FIG. 3 is a bottom plan view thereof;

FIG. 4 is a side elevational view thereof;

FIG. 5 is a rear elevational view thereof; and,

FIG. 6 is a front elevational view thereof.

1 Claim, 2 Drawing Sheets



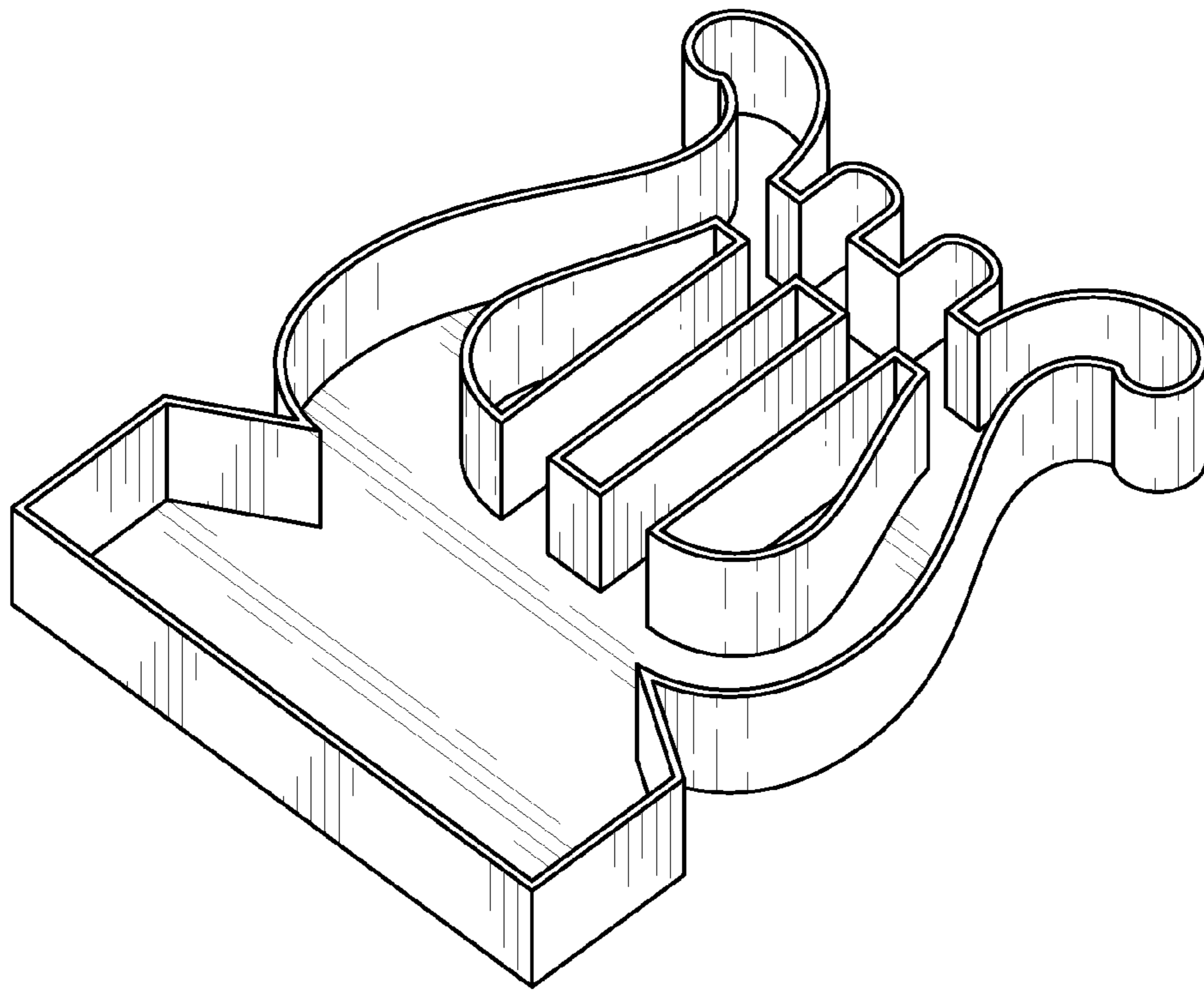


FIG. 1

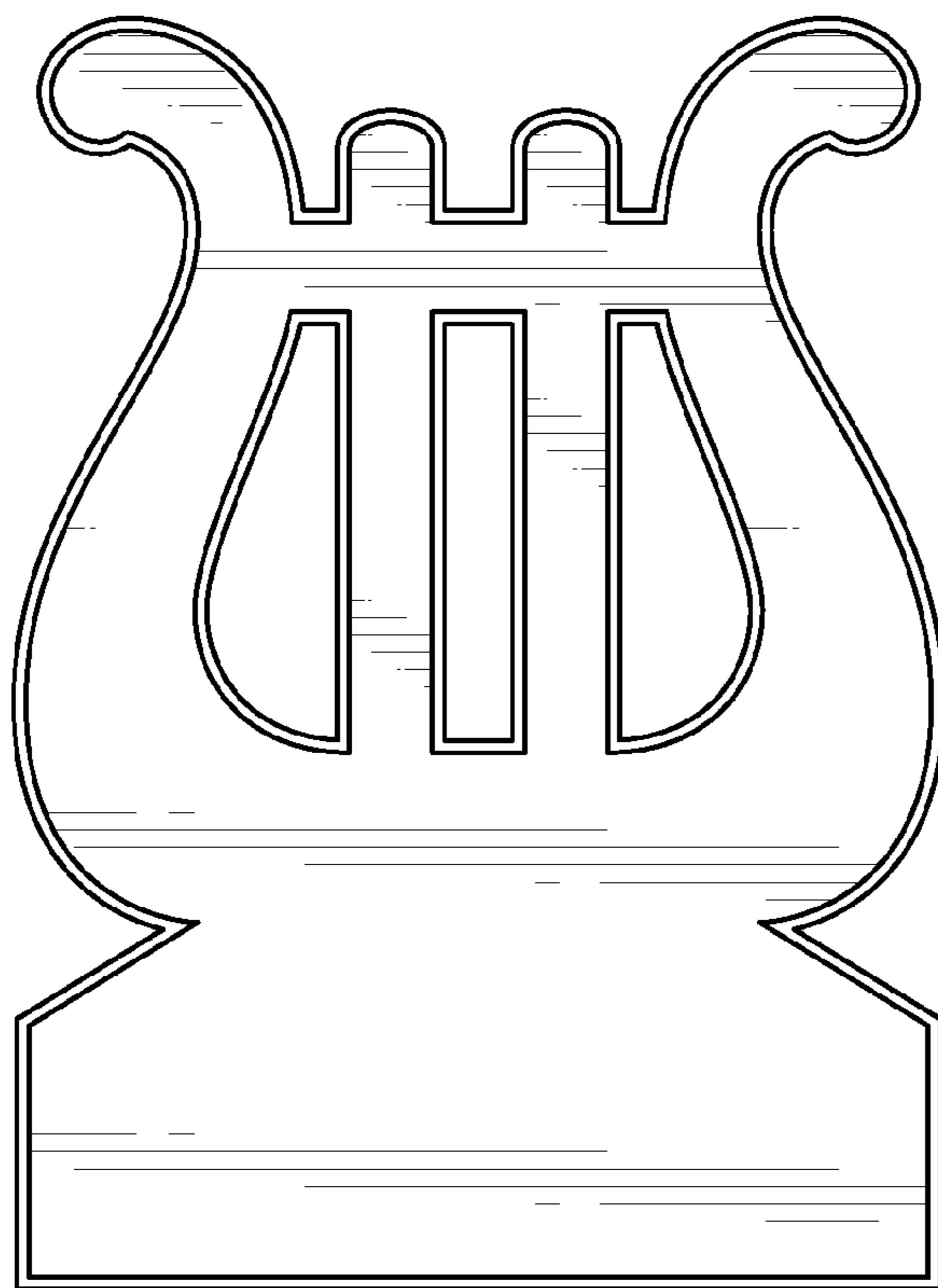


FIG. 2

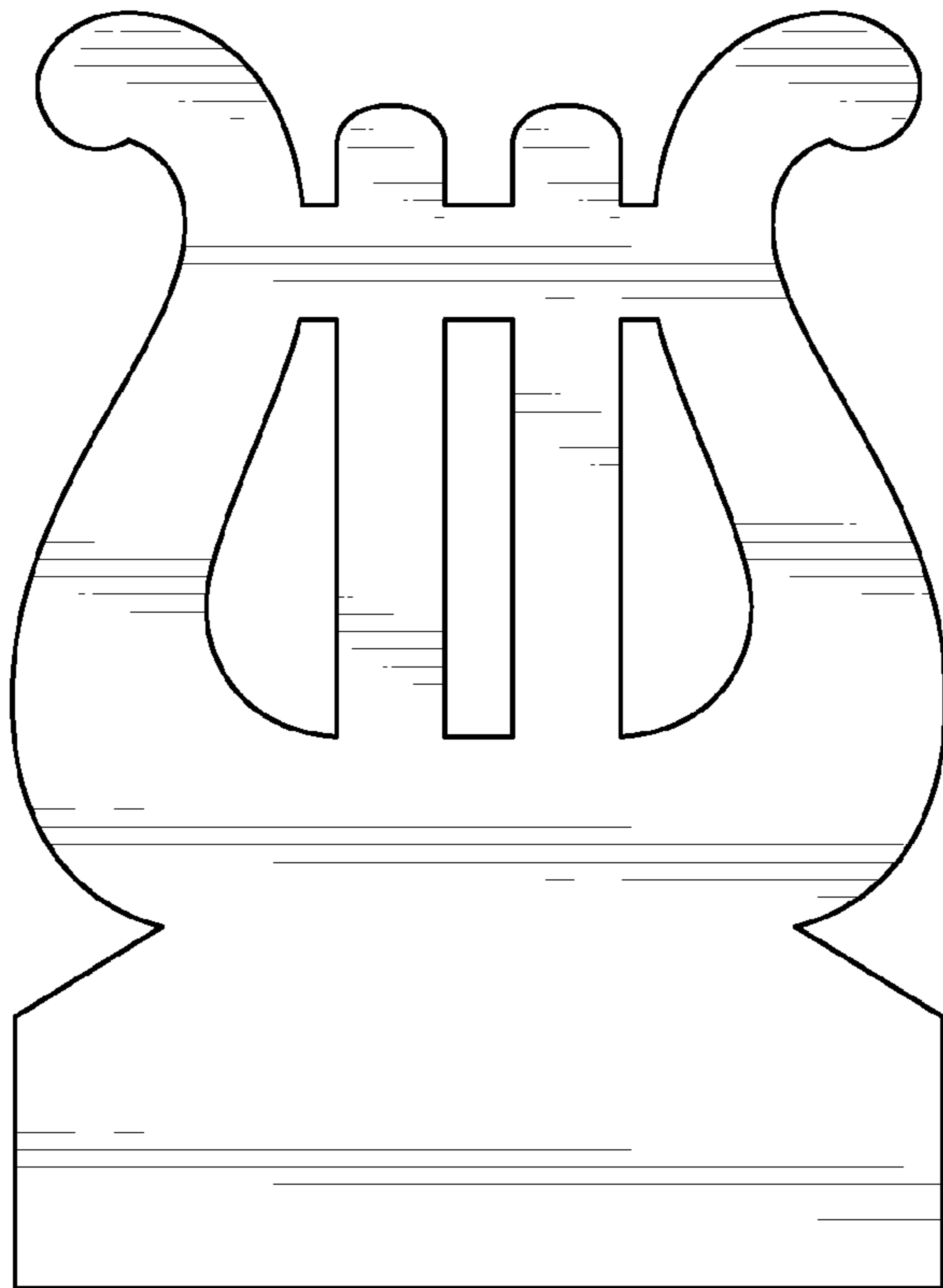


FIG. 3

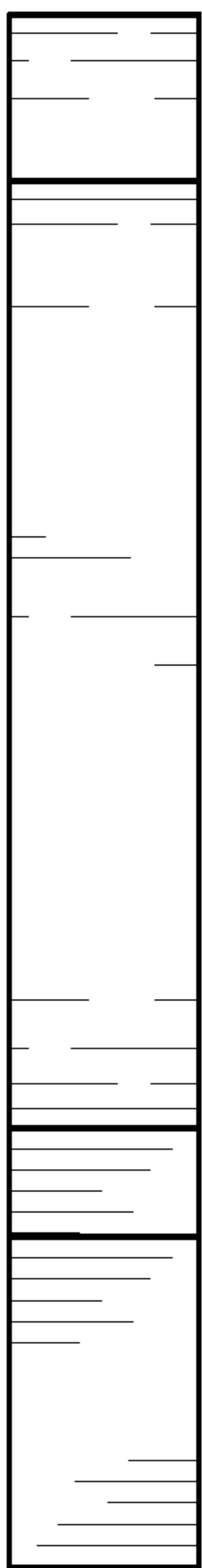


FIG. 4

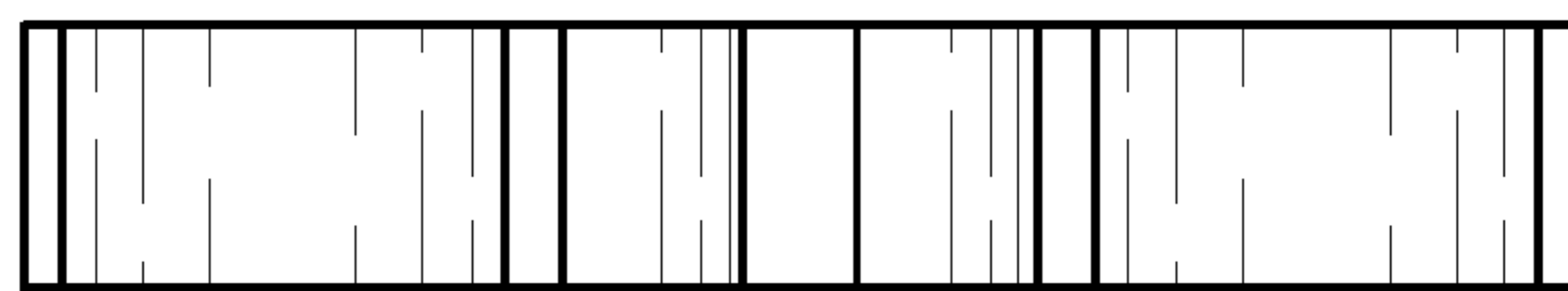


FIG. 5

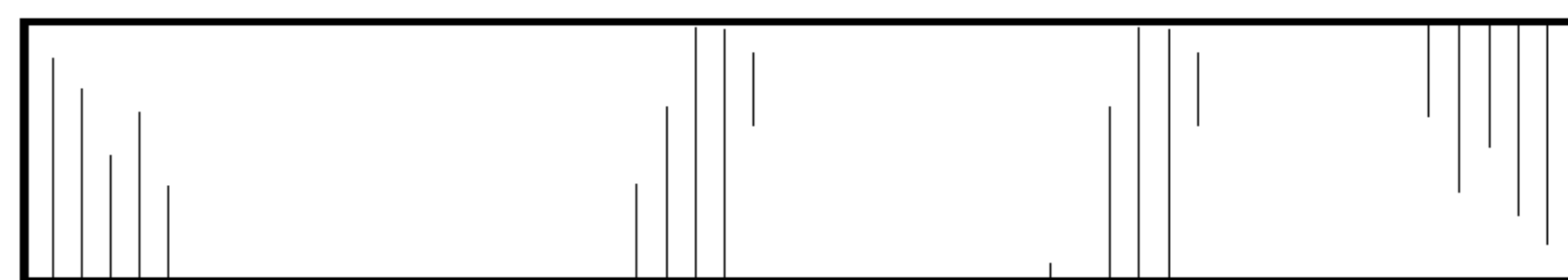


FIG. 6