



US00D562057S

(12) **United States Design Patent**
Kim

(10) **Patent No.:** **US D562,057 S**

(45) **Date of Patent:** **** Feb. 19, 2008**

(54) **MICROWAVE OVEN**

D442,821 S * 5/2001 Naganuma D7/351
D518,680 S * 4/2006 Kim D7/351

(75) Inventor: **Kang Doo Kim**, Seoul (KR)

* cited by examiner

(73) Assignee: **Samsung Electronics Co., Ltd.**, Suwon (KR)

Primary Examiner—Ruth McInroy

(74) *Attorney, Agent, or Firm*—Ladas and Parry LLP

(**) Term: **14 Years**

(21) Appl. No.: **29/269,300**

(57) **CLAIM**

(22) Filed: **Nov. 28, 2006**

I claim the ornamental design for a microwave oven, as shown and described.

(51) **LOC (8) Cl.** **07-02**

(52) **U.S. Cl.** **D7/351**

(58) **Field of Classification Search** D7/350.1, D7/350.2, 350.3, 350.4, 351, 402–403, 405, D7/406; 126/19 M, 275 E, 273 A; 219/756–758, 219/391, 402, 393; 99/DIG. 14
See application file for complete search history.

DESCRIPTION

FIG. 1 is a top, front and left-side perspective view of a microwave oven showing my new design

FIG. 2 is a front elevational view thereof;

FIG. 3 is a rear elevational view thereof;

FIG. 4 is a left-side elevational view thereof;

FIG. 5 is a right-side elevational view thereof;

FIG. 6 is a top plan view thereof; and,

FIG. 7 is a bottom plan view thereof.

(56) **References Cited**

U.S. PATENT DOCUMENTS

D426,102 S * 6/2000 Hamada et al. D7/351
D439,468 S * 3/2001 Kim D7/351
D442,820 S * 5/2001 Kim D7/351

1 Claim, 4 Drawing Sheets

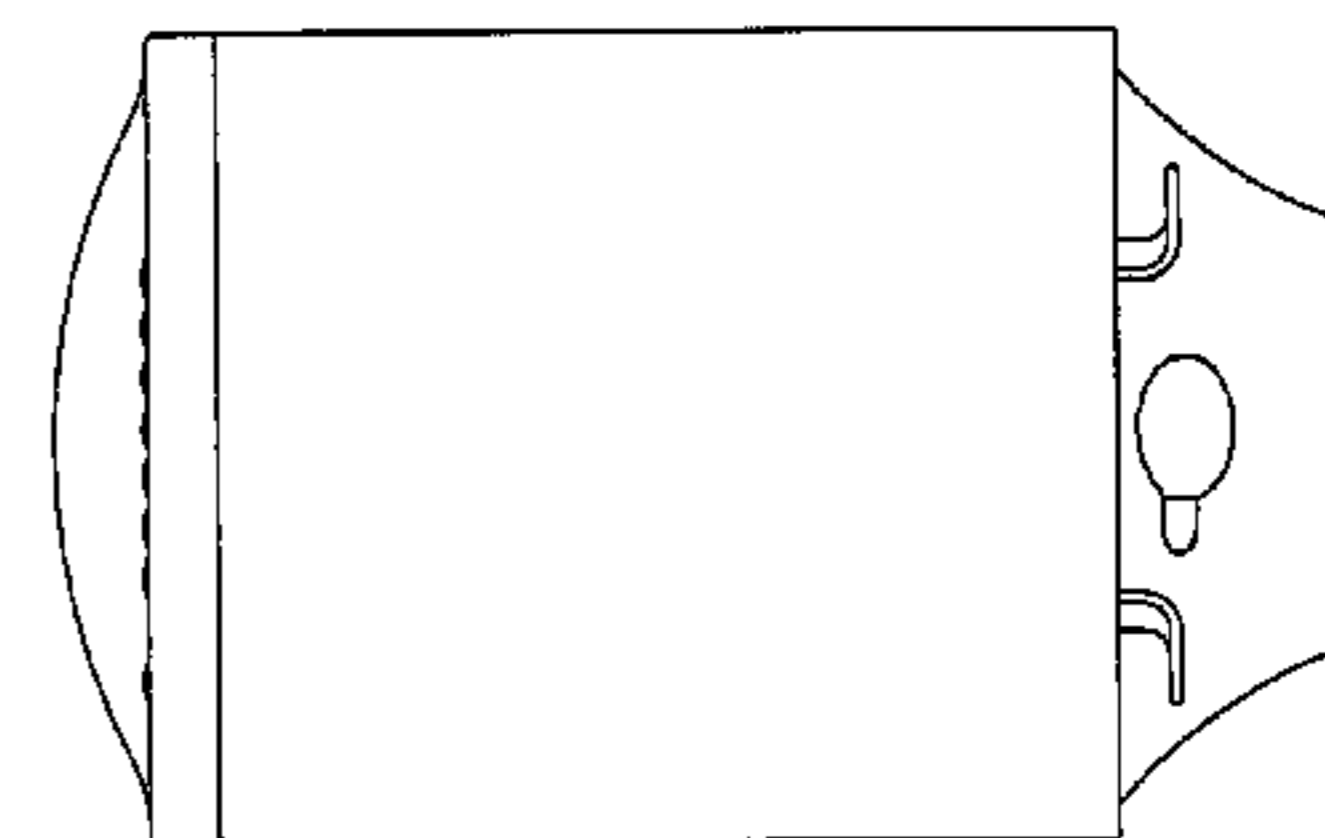
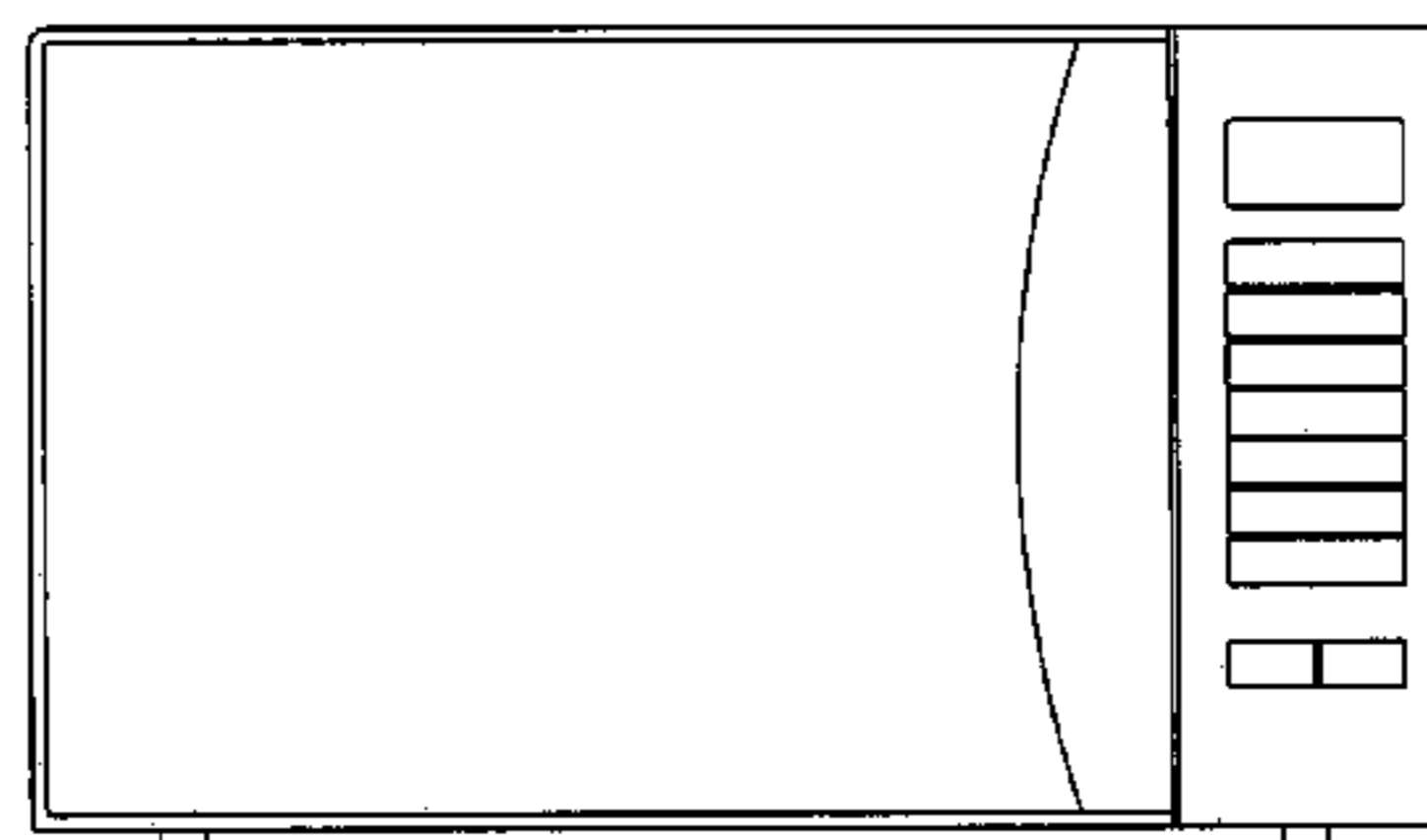
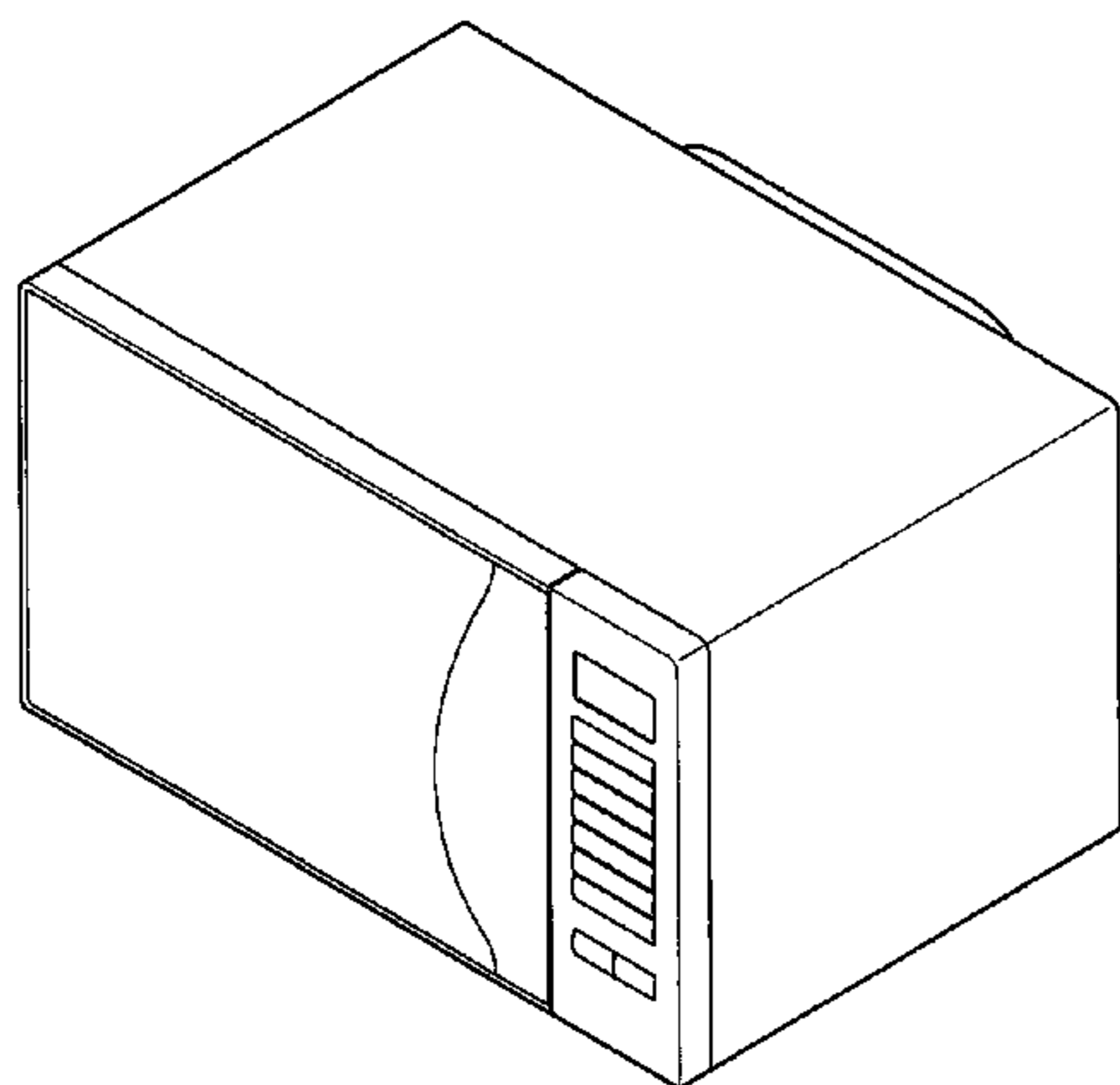


FIG. 1

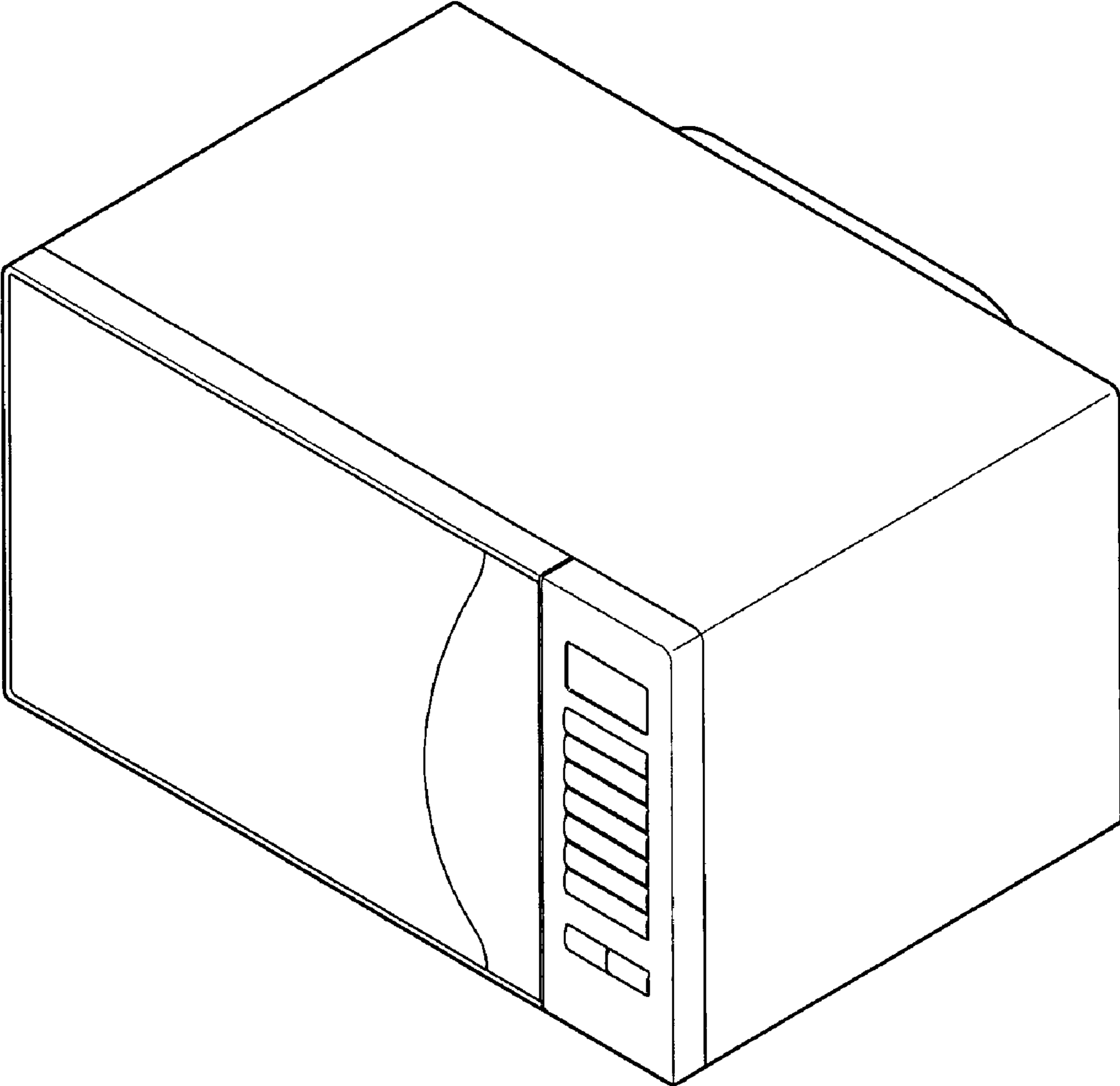


FIG. 2

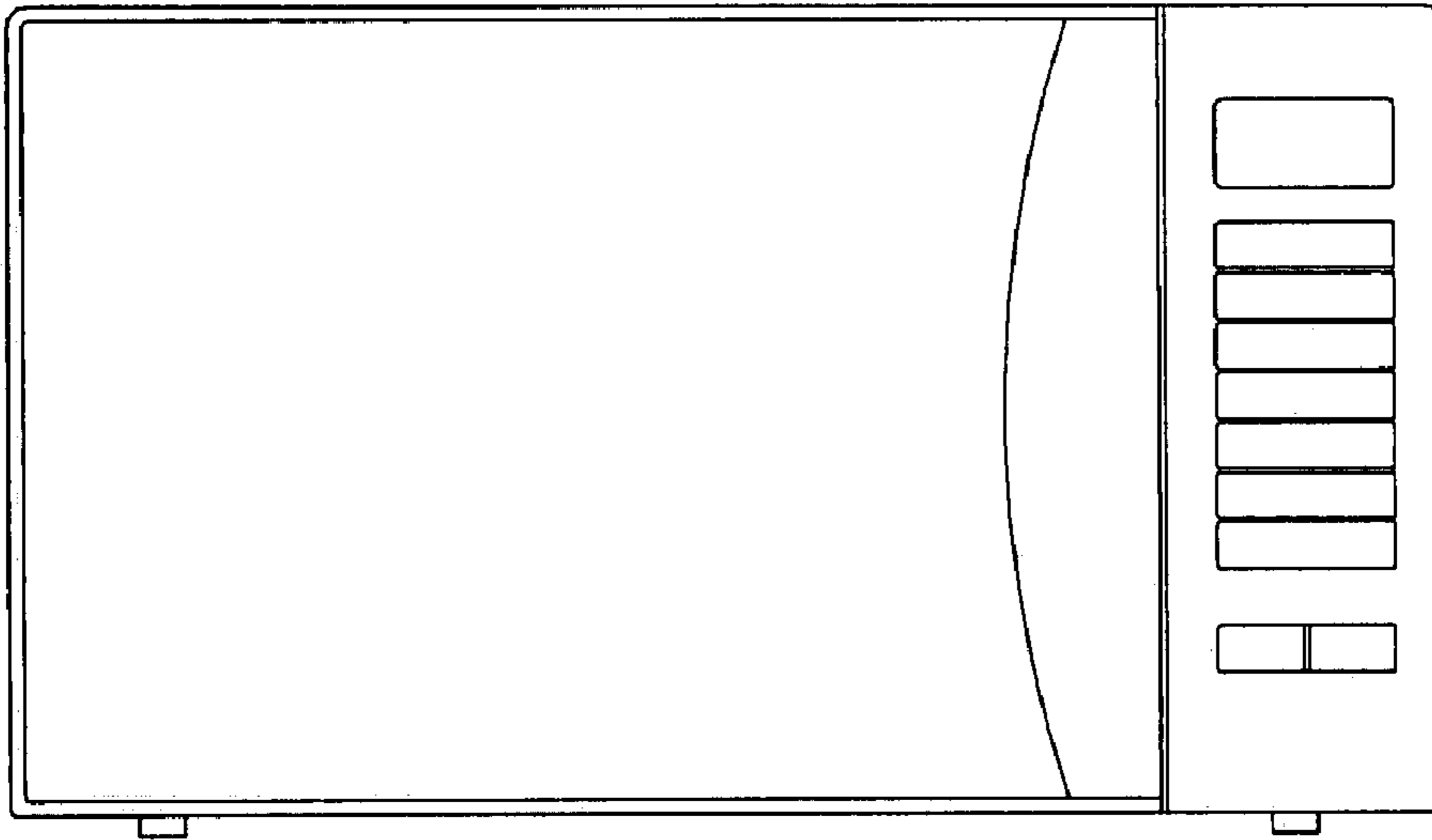


FIG. 3

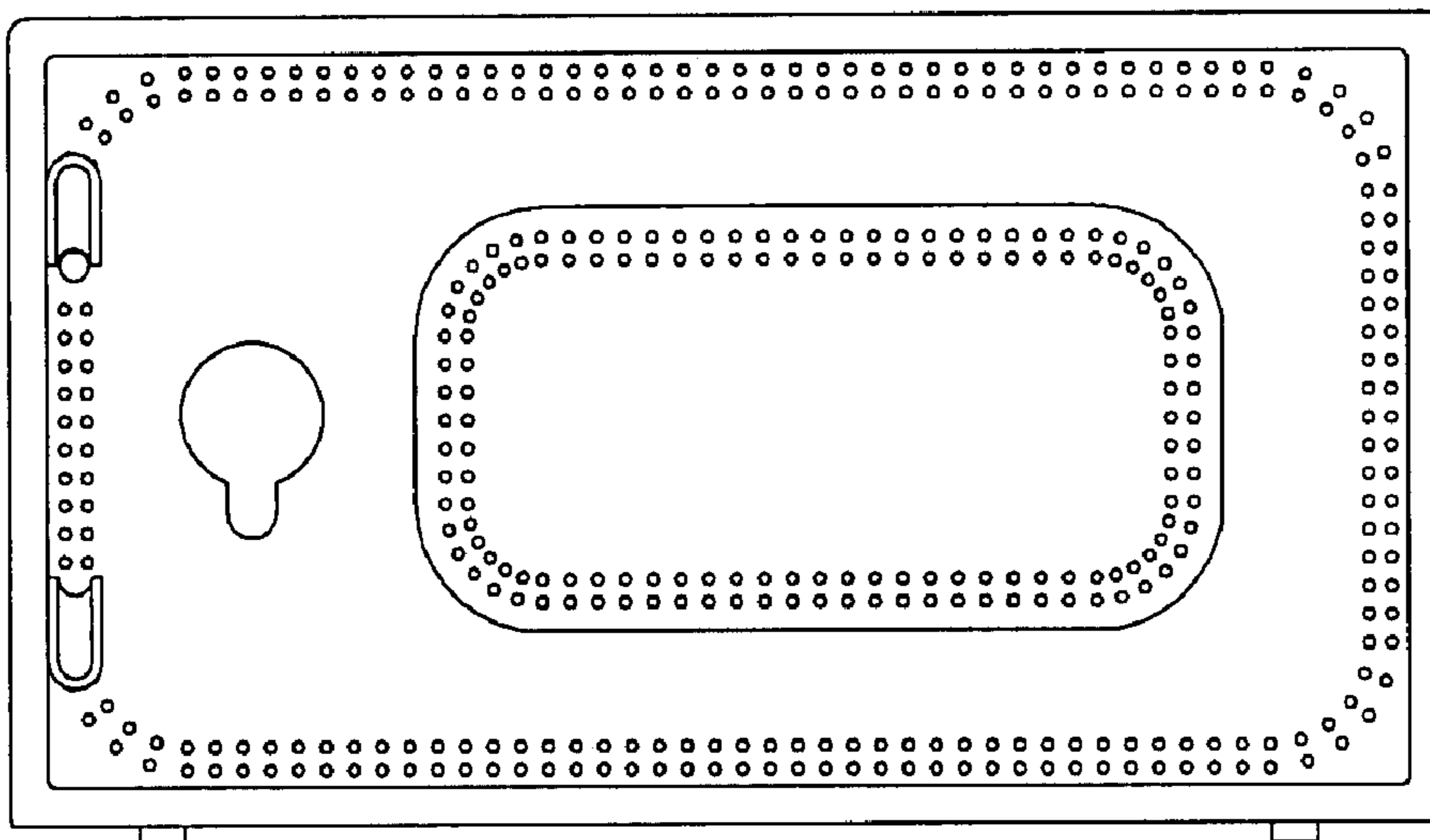


FIG. 4

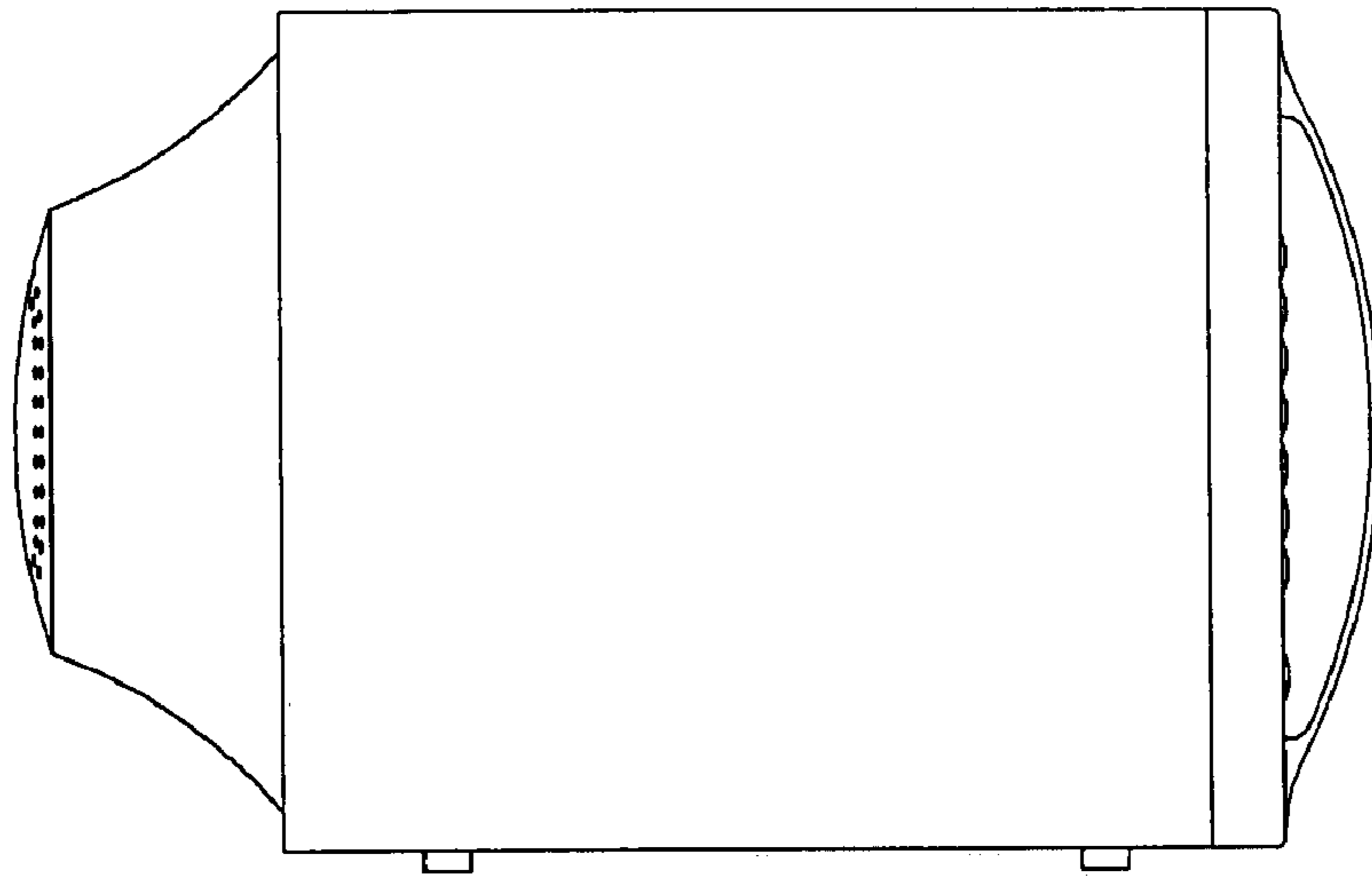


FIG. 5

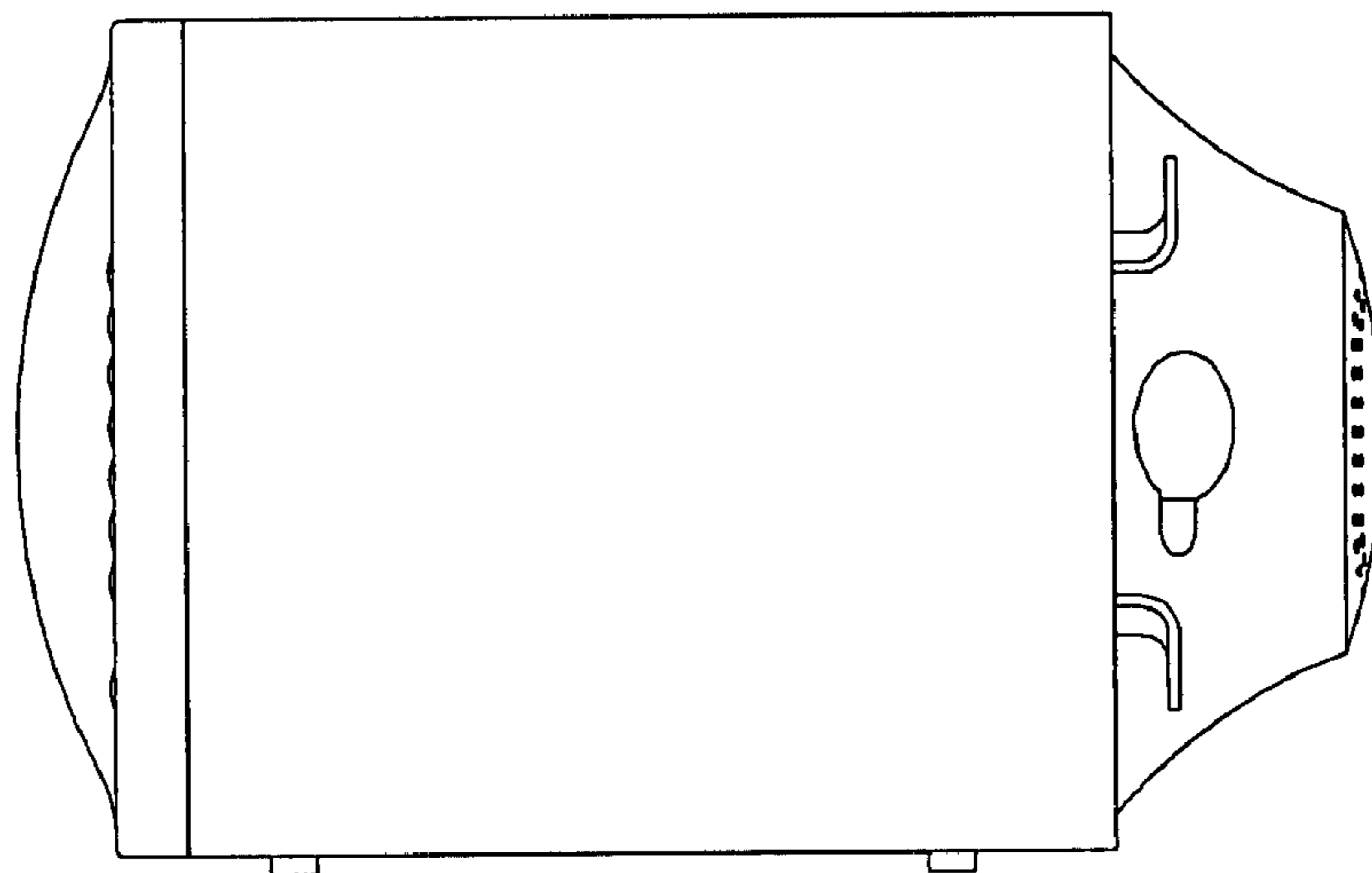


FIG. 6

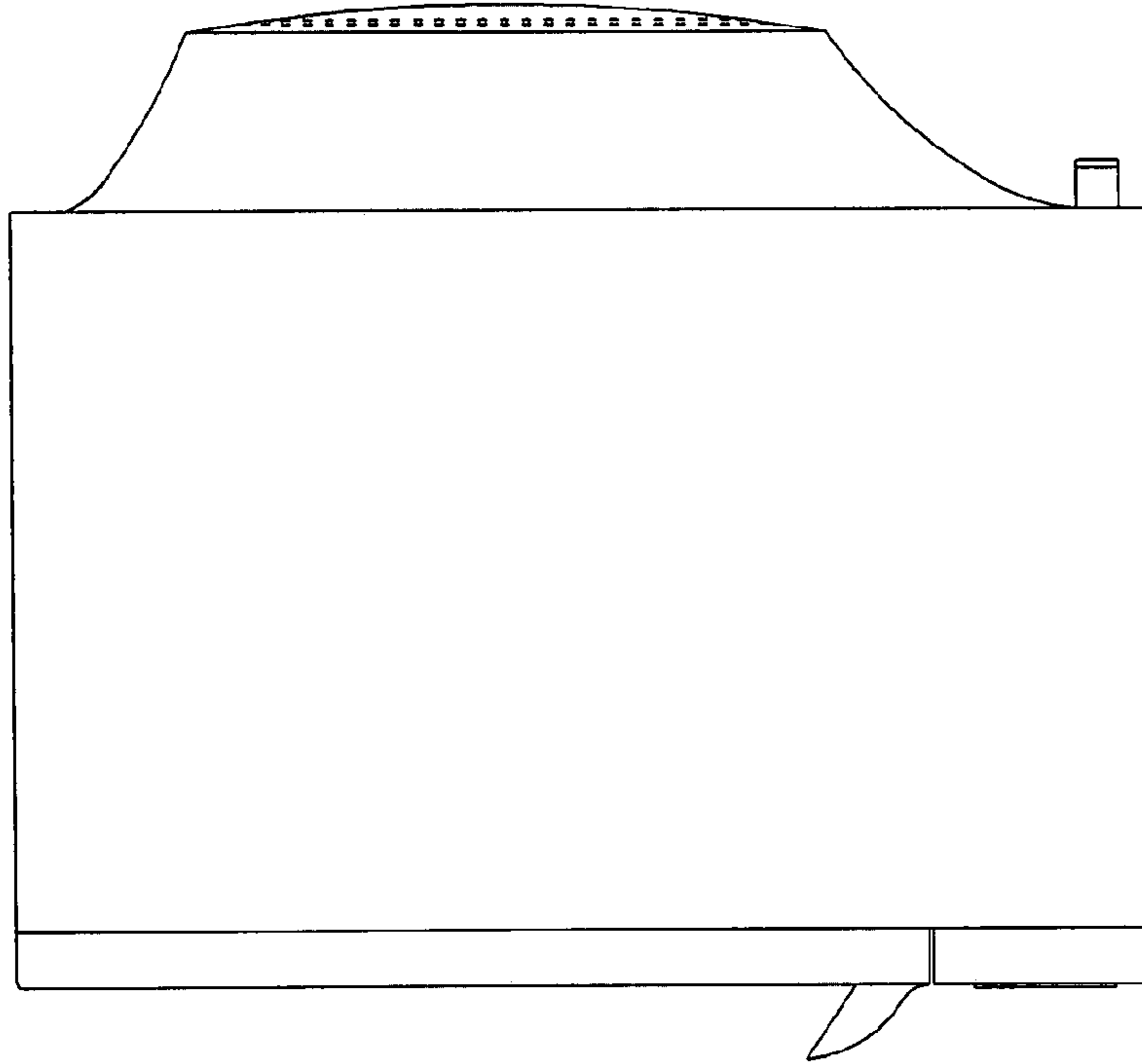


FIG. 7

