

US00D562055S

(12) **United States Design Patent**  
**Chung**

(10) **Patent No.:** **US D562,055 S**

(45) **Date of Patent:** **\*\* Feb. 19, 2008**

(54) **BARBECUE GRILL**

D514,872 S \* 2/2006 Chung ..... D7/337

(76) Inventor: **Kiosky Chung**, 8F-1, No. 497,  
Jhongming S. Rd., West District,  
Taichung City 403 (TW)

\* cited by examiner

*Primary Examiner*—Ruth McInroy  
(74) *Attorney, Agent, or Firm*—Alan Kamrath; Kamrath &  
Associates PA

(\*\*) Term: **14 Years**

(21) Appl. No.: **29/247,274**

(57) **CLAIM**

(22) Filed: **Jun. 9, 2006**

I claim the ornamental design for a barbecue grill, as shown  
and described.

(51) **LOC (8) Cl.** ..... **07-02**

(52) **U.S. Cl.** ..... **D7/337**

(58) **Field of Classification Search** ..... D7/332,  
D7/337, 402–405; 126/25 A, 25 AA, 9 R,  
126/9 A, 9 B, 38, 37 R, 41 R, 40, 50, 12,  
126/276, 8, 304 R; 99/481–482; 312/249.13,  
312/249.8, 351.2

See application file for complete search history.

**DESCRIPTION**

FIG. 1 is the perspective view of a barbecue grill showing  
my new design;

FIG. 2 is the front elevational view thereof;

FIG. 3 is the rear elevational view thereof;

FIG. 4 is the left side elevational view thereof;

FIG. 5 is the right side elevational view thereof;

FIG. 6 is the top plan view thereof; and,

FIG. 7 is the bottom plan view thereof.

(56) **References Cited**

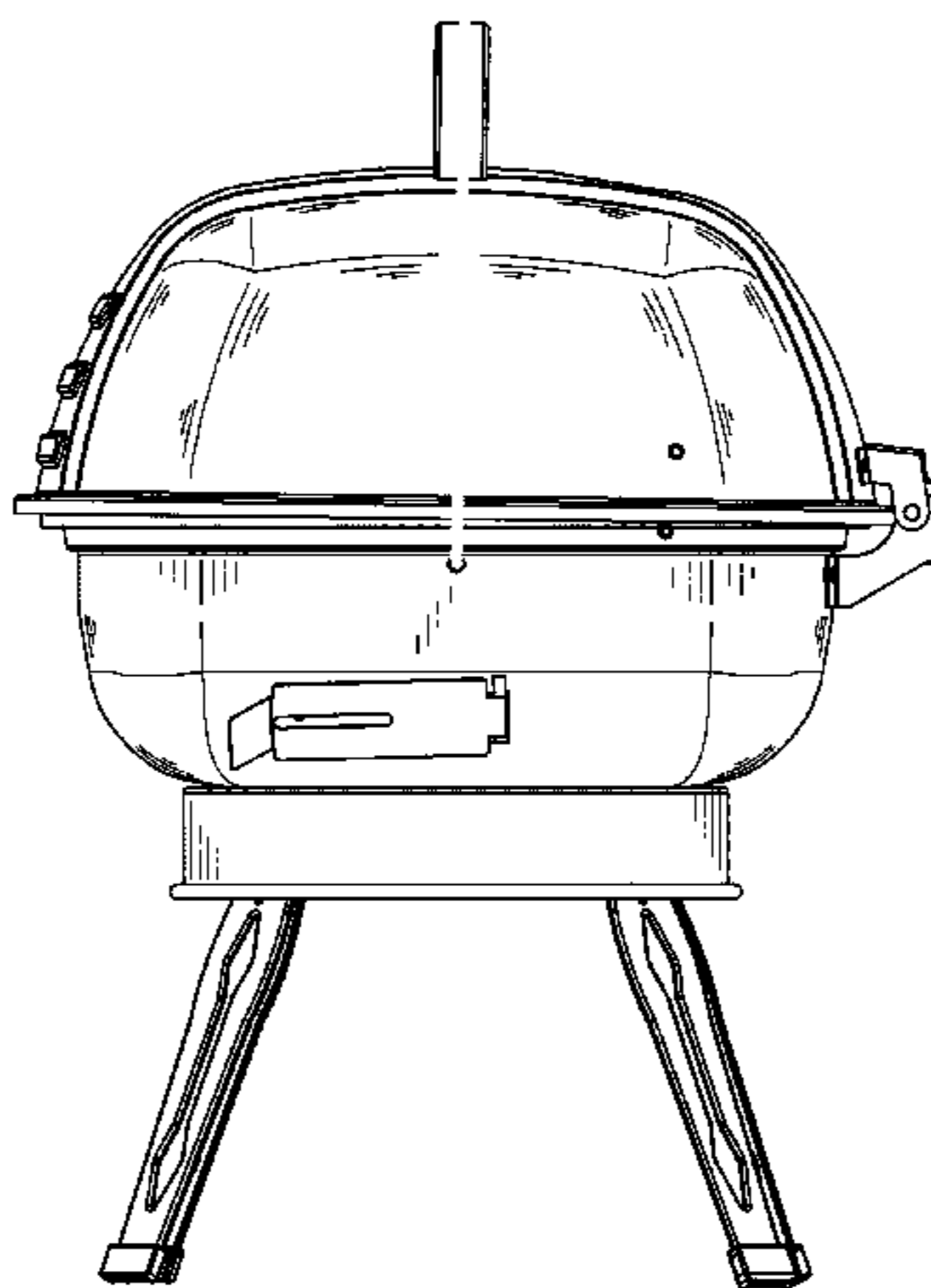
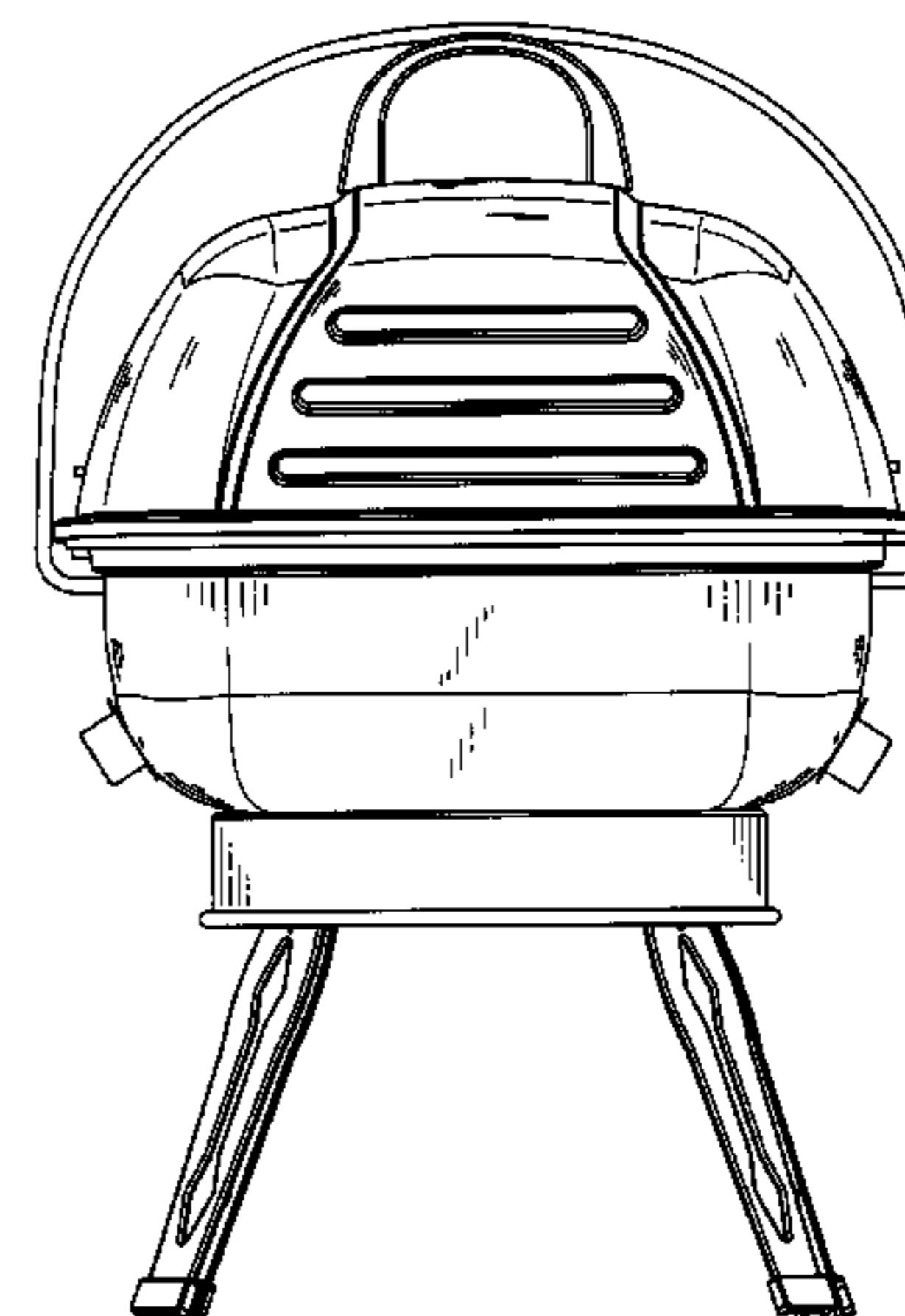
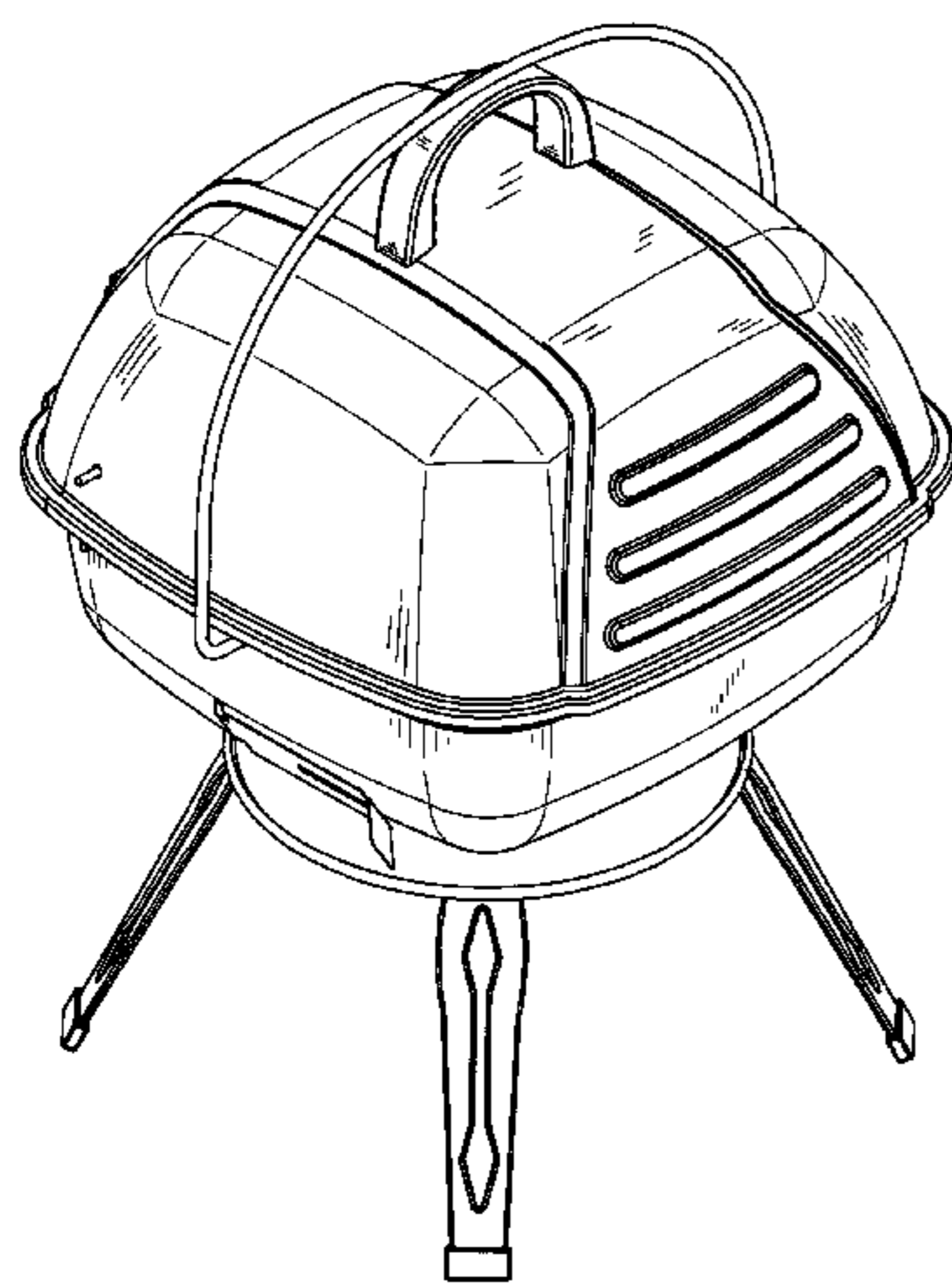
**U.S. PATENT DOCUMENTS**

D459,629 S \* 7/2002 Pai ..... D7/332

D481,256 S \* 10/2003 Bossler ..... D7/337

D501,115 S \* 1/2005 Zhang ..... D7/332

**1 Claim, 7 Drawing Sheets**



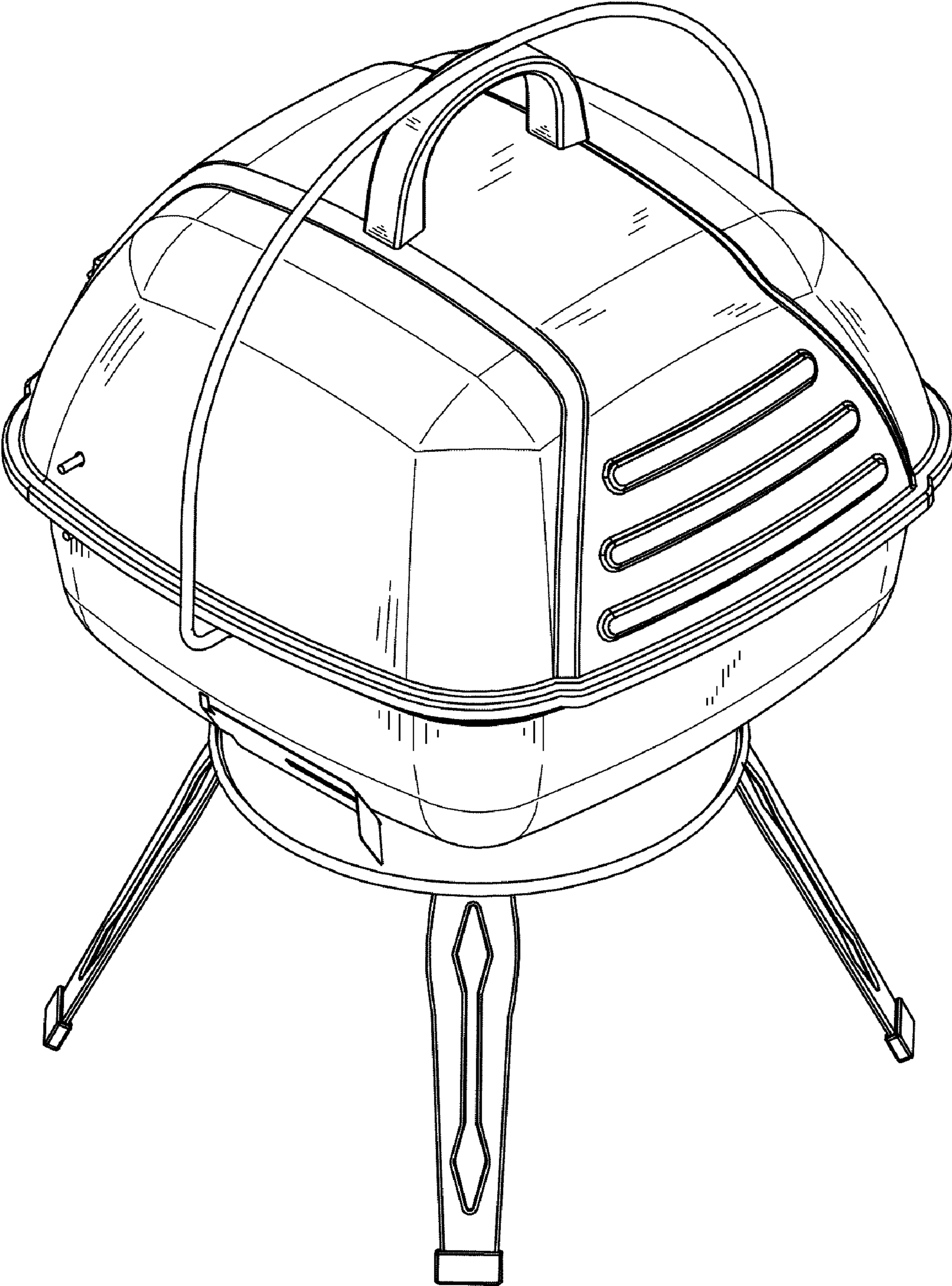


Fig. 1

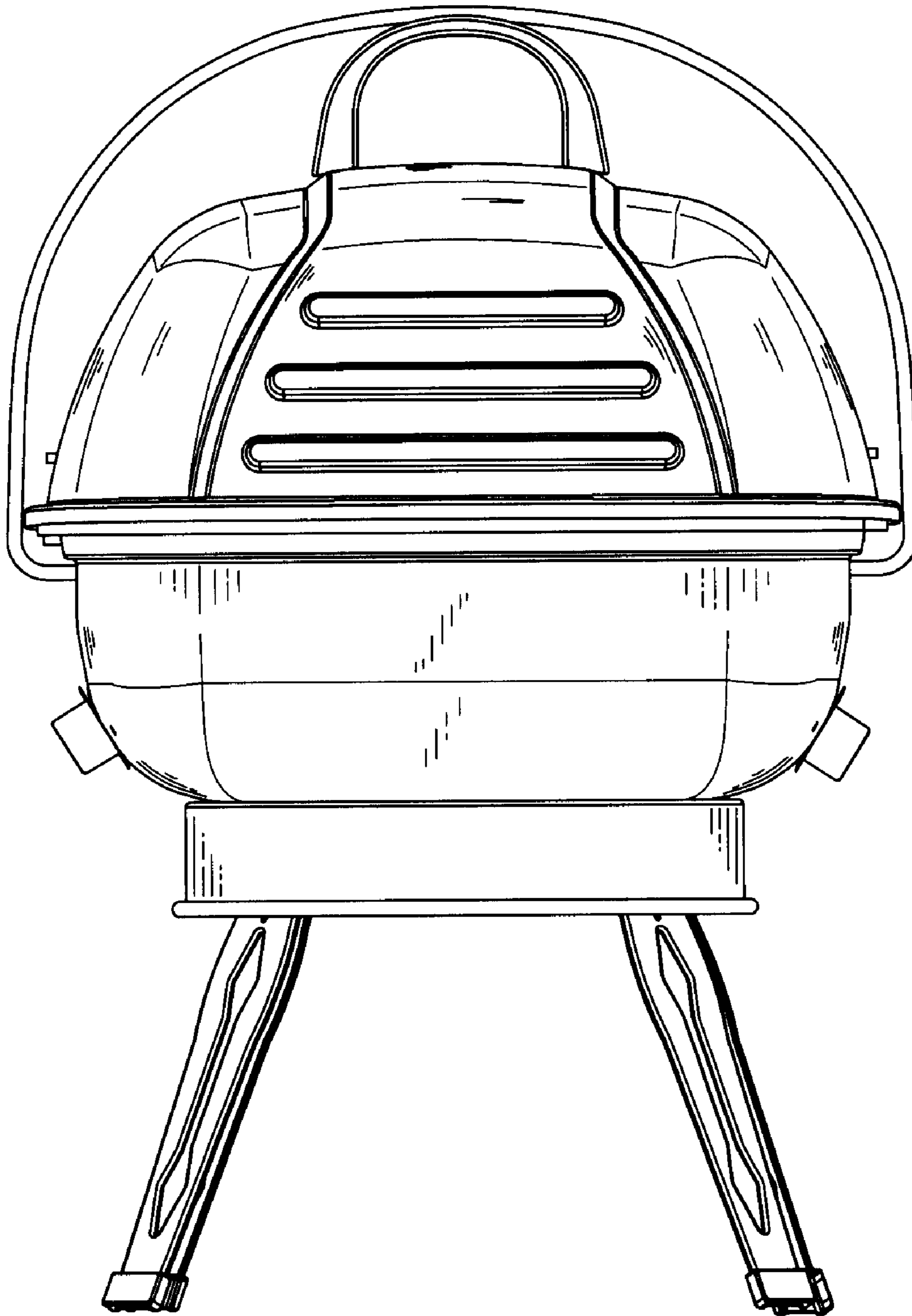


Fig. 2

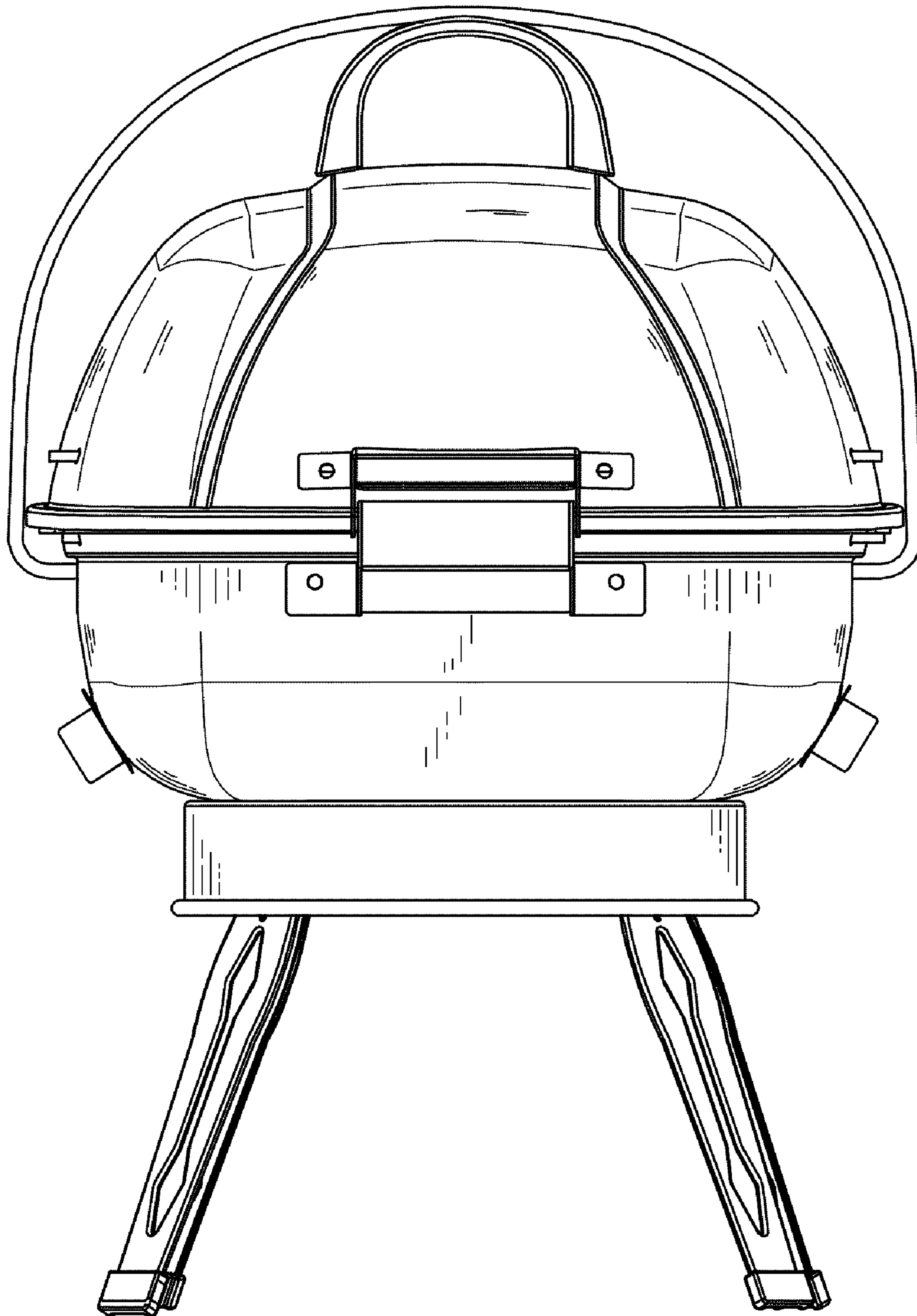


Fig. 3



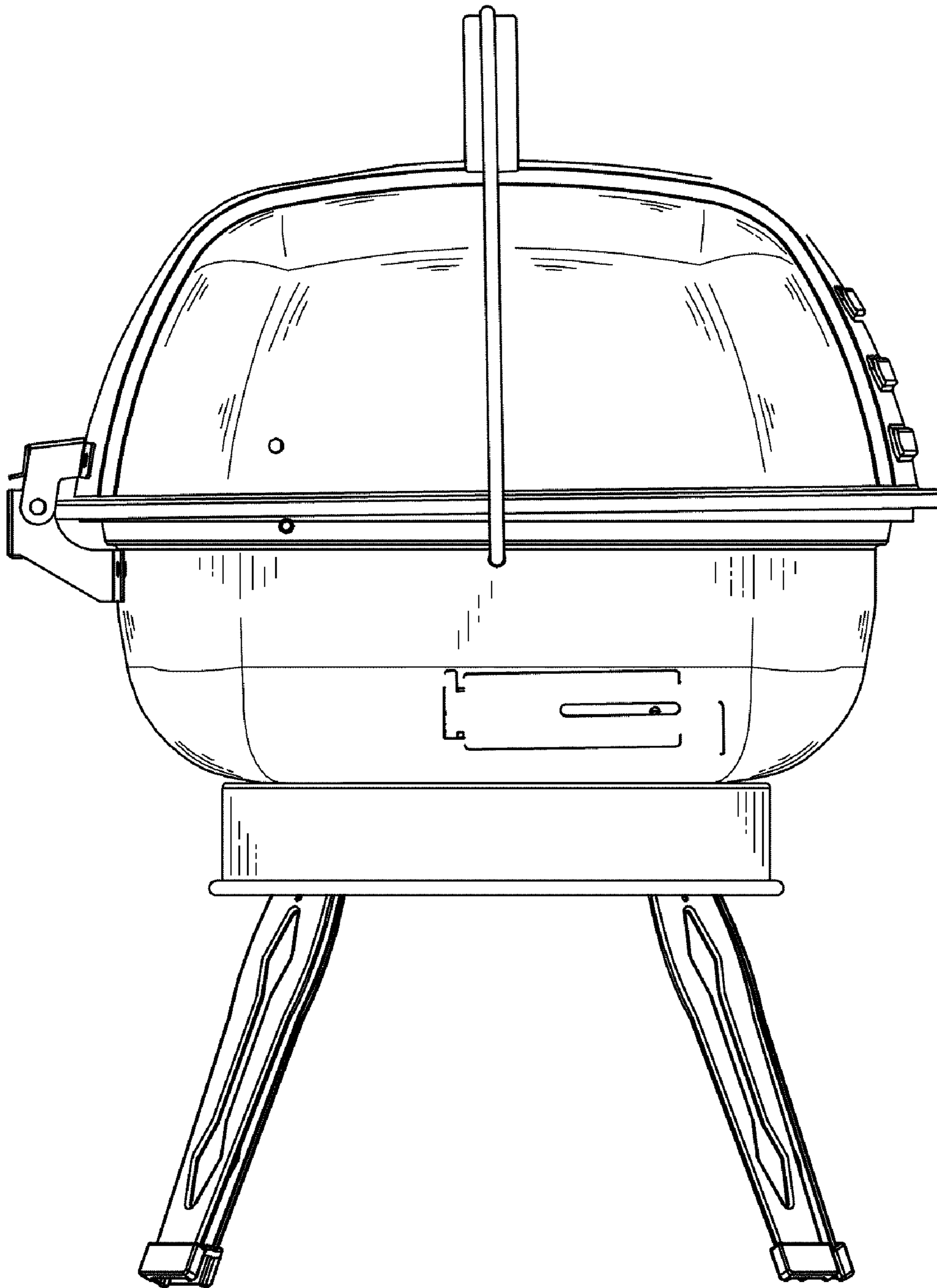


Fig. 4

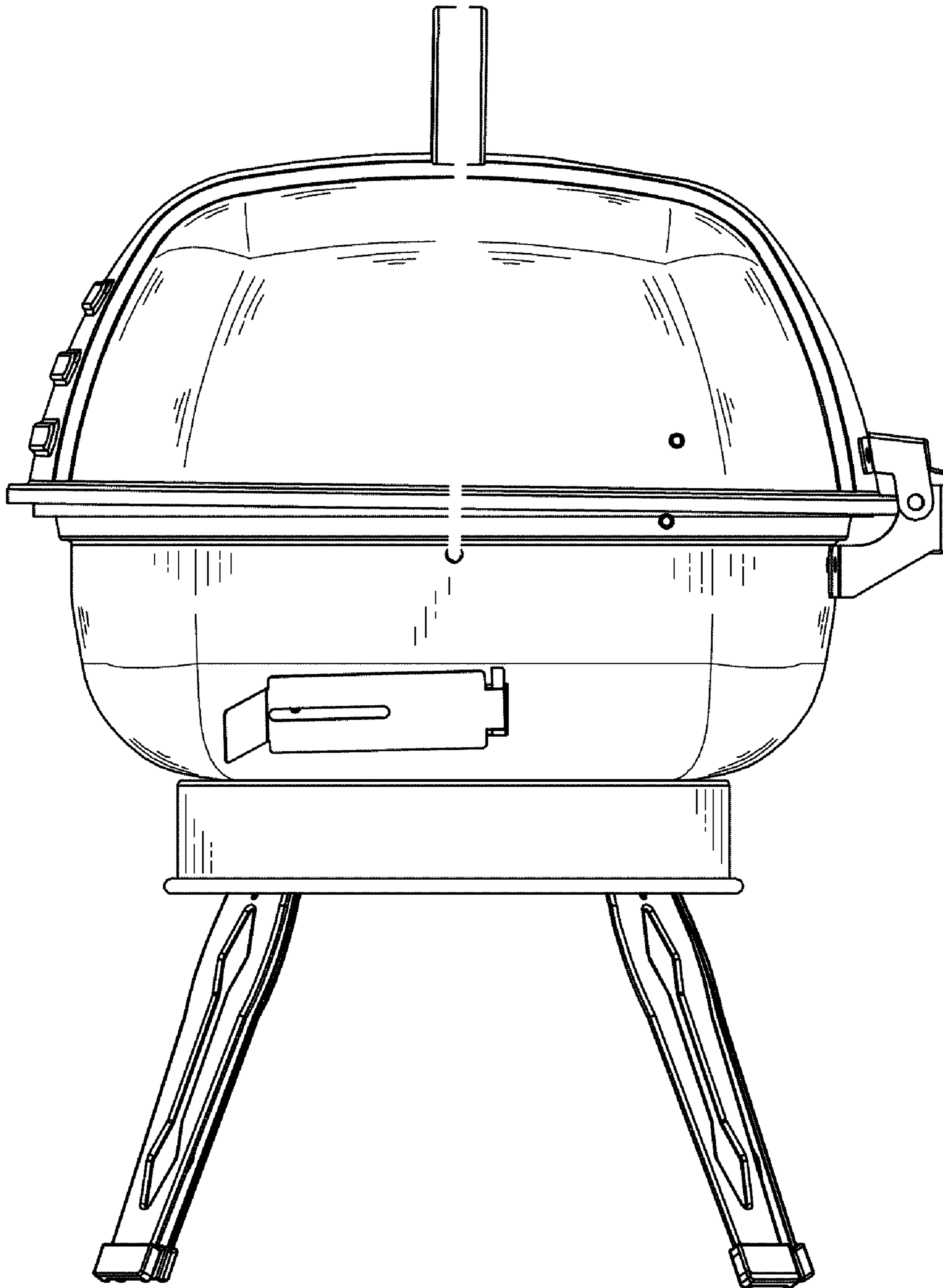


Fig. 5

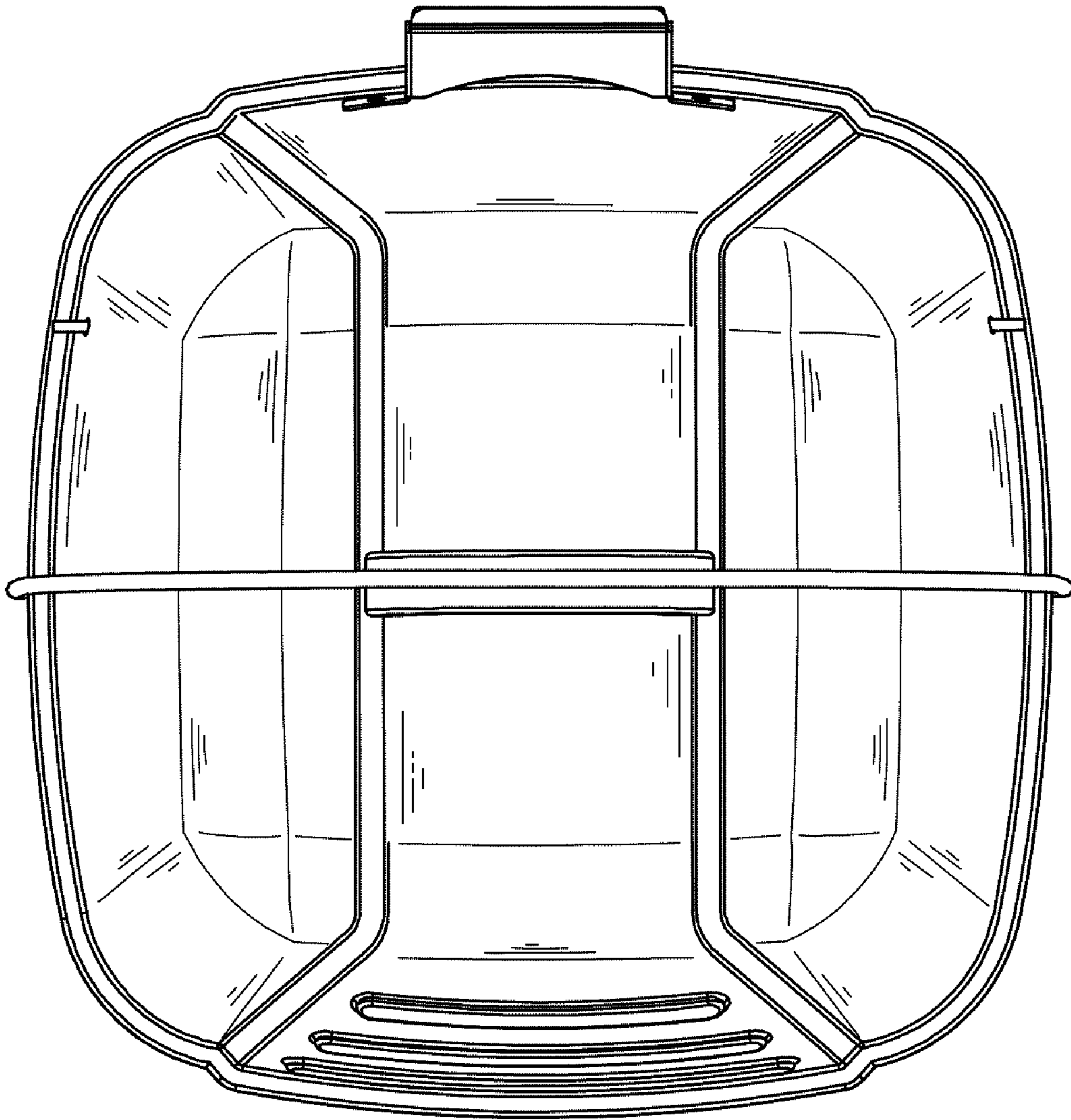


Fig. 6

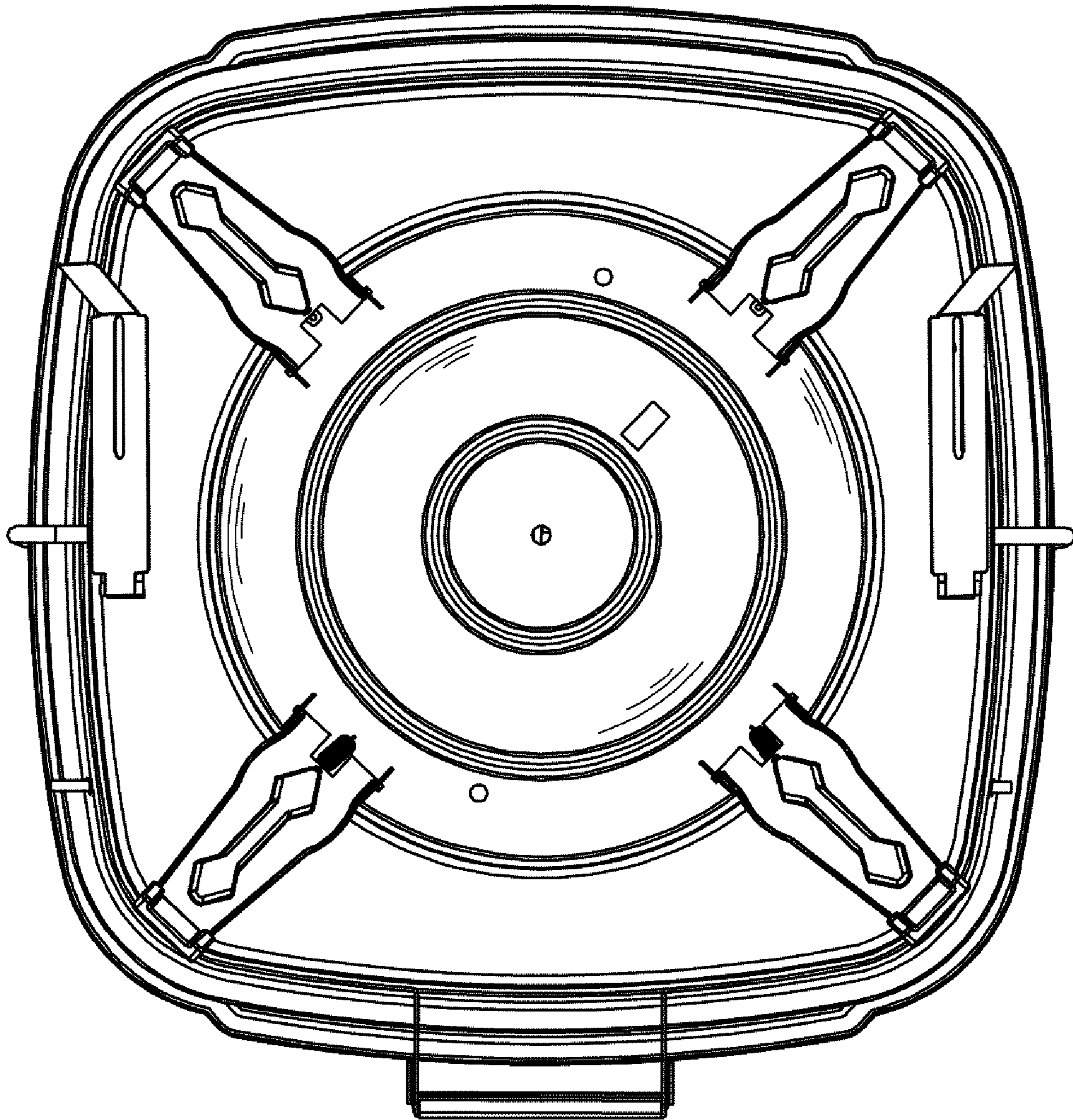


Fig. 7