



US00D562051S

(12) **United States Design Patent**  
**Hulett et al.**

(10) **Patent No.:** **US D562,051 S**  
(45) **Date of Patent:** **\*\* Feb. 19, 2008**

(54) **BEVERAGE BREWER**

(75) Inventors: **Randy Hulett**, Seattle, WA (US);  
**Zander Nosler**, Seattle, WA (US); **Josh Maruska**, Seattle, WA (US); **Izaak Koller**, Seattle, WA (US)

(73) Assignee: **Coffee Equipment Company**, Seattle, WA (US)

(\*\*) Term: **14 Years**

(21) Appl. No.: **29/257,647**

(22) Filed: **Apr. 6, 2006**

(51) **LOC (8) Cl.** ..... **07-01**

(52) **U.S. Cl.** ..... **D7/306; D7/309; D7/311**

(58) **Field of Classification Search** ..... D7/300,  
D7/309-311, 306-308, 305; 222/146.1,  
222/169, 367; 99/284, 280, 293, 298 R,  
99/295, 300

See application file for complete search history.

(56) **References Cited**

**U.S. PATENT DOCUMENTS**

2,927,522	A *	3/1960	Rockwood et al.	.....	99/290
D242,084	S *	10/1976	Moreton	.....	D7/311
D261,390	S *	10/1981	Harvill	.....	D7/307
D319,943	S *	9/1991	Sexton et al.	.....	D7/308
5,531,152	A *	7/1996	Gardosi	.....	99/289 R
D408,206	S *	4/1999	Stafford et al.	.....	D7/306
D520,300	S *	5/2006	Bruttin	.....	D7/309

D526,828	S *	8/2006	Jordana	.....	D7/309
D529,750	S *	10/2006	Baron et al.	.....	D7/307
D536,917	S *	2/2007	McWilliam	.....	D7/309
D540,608	S *	4/2007	Cahen	.....	D7/309

\* cited by examiner

*Primary Examiner*—M. N. Pandozzi

(74) *Attorney, Agent, or Firm*—Graybeal Jackson Haley LLP

(57) **CLAIM**

The ornamental design for a beverage brewer, as shown and described.

**DESCRIPTION**

FIG. 1 is a perspective view of a beverage brewer according to an embodiment of the invention.

FIG. 2 is a front view of the beverage brewer of FIG. 1;

FIG. 3 is a rear view of the beverage brewer of FIG. 1;

FIG. 4 is a right side view of the beverage brewer of FIG. 1.

FIG. 5 is a left side view of the beverage brewer of FIG. 1.

FIG. 6 is a top view of the beverage brewer of FIG. 1; and,

FIG. 7 is a bottom view of the beverage brewer of FIG. 1.

The broken lines in the drawings are included for the purpose of illustration and form no part of the claimed design.

**1 Claim, 3 Drawing Sheets**

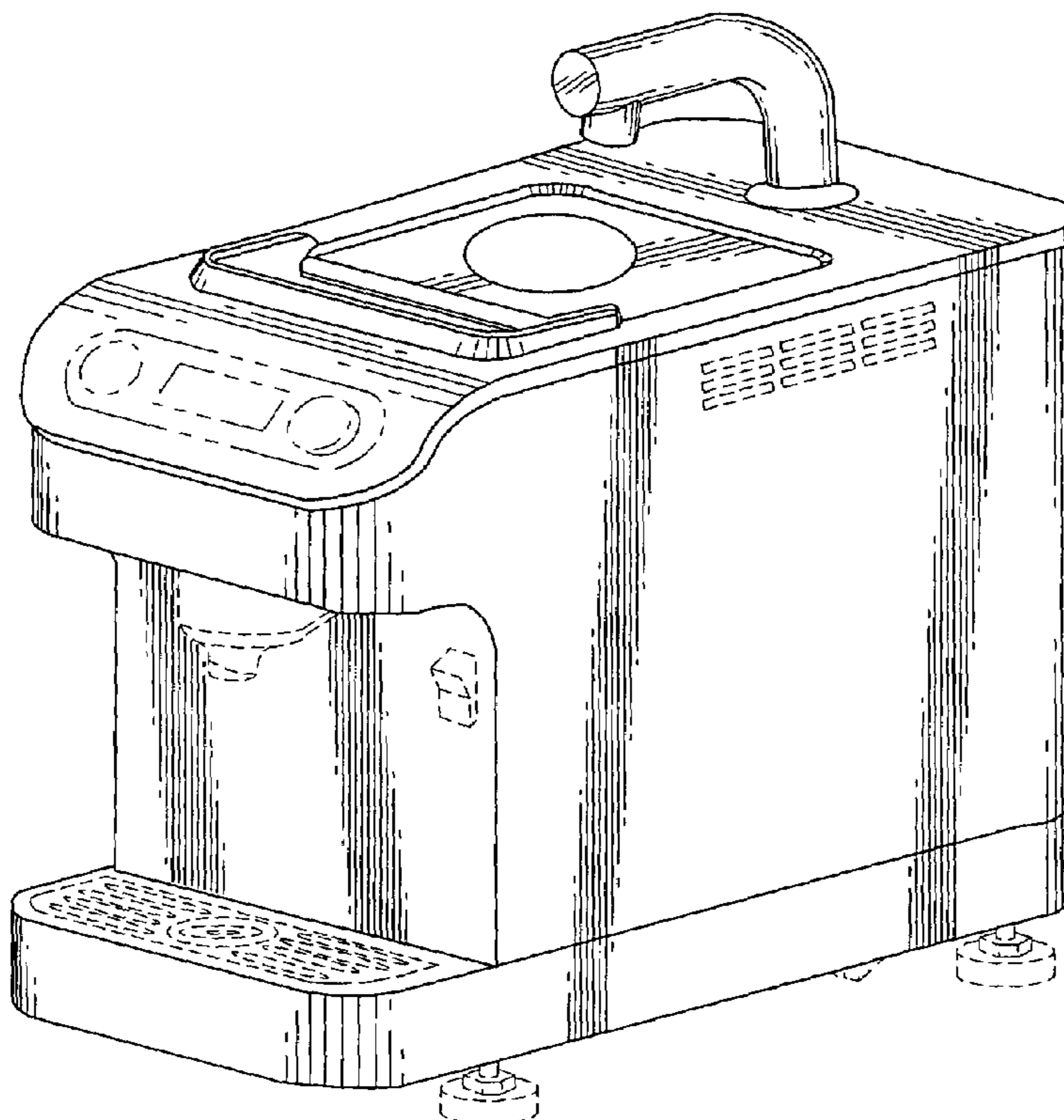


FIG. 1

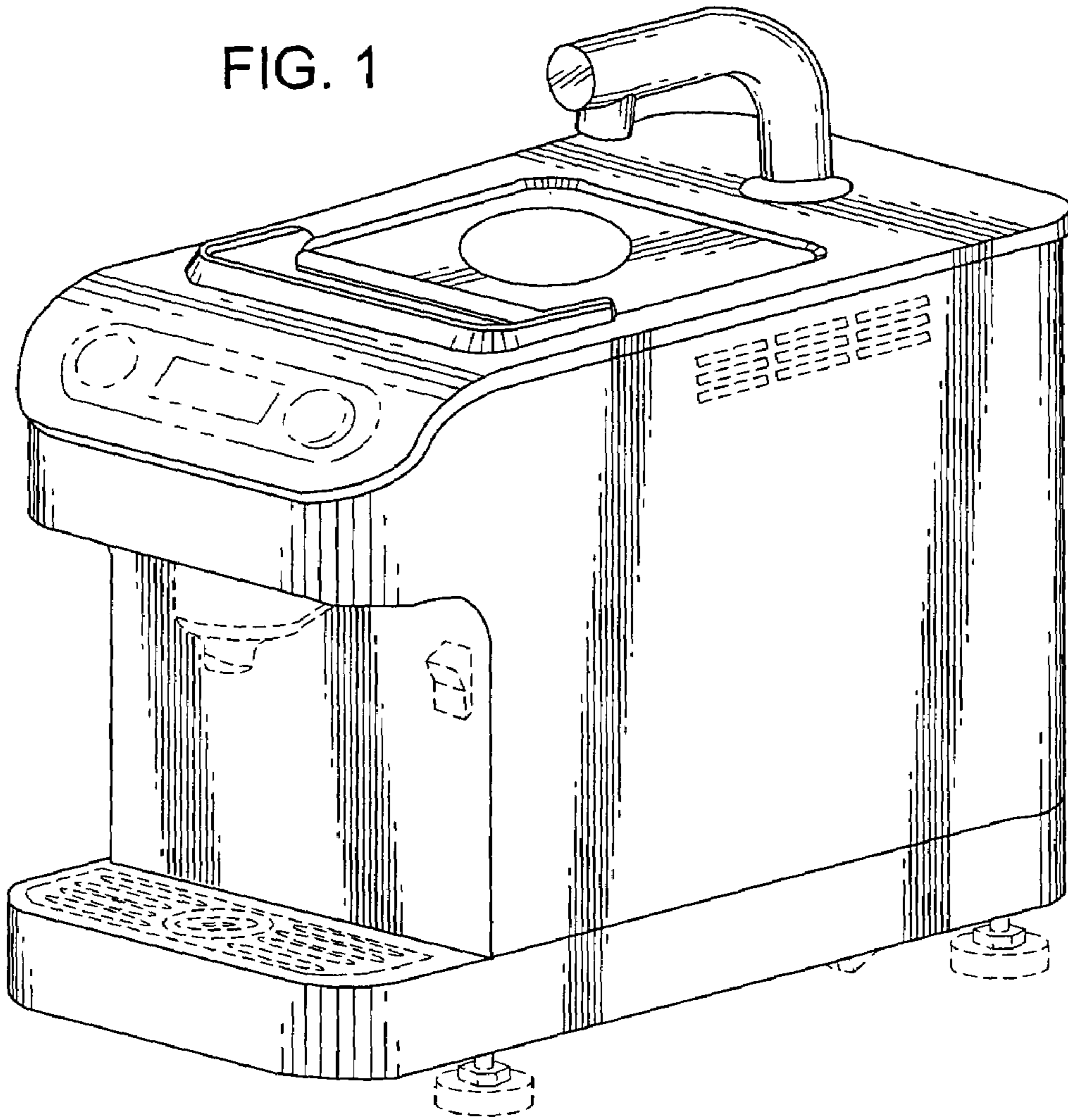


FIG. 7

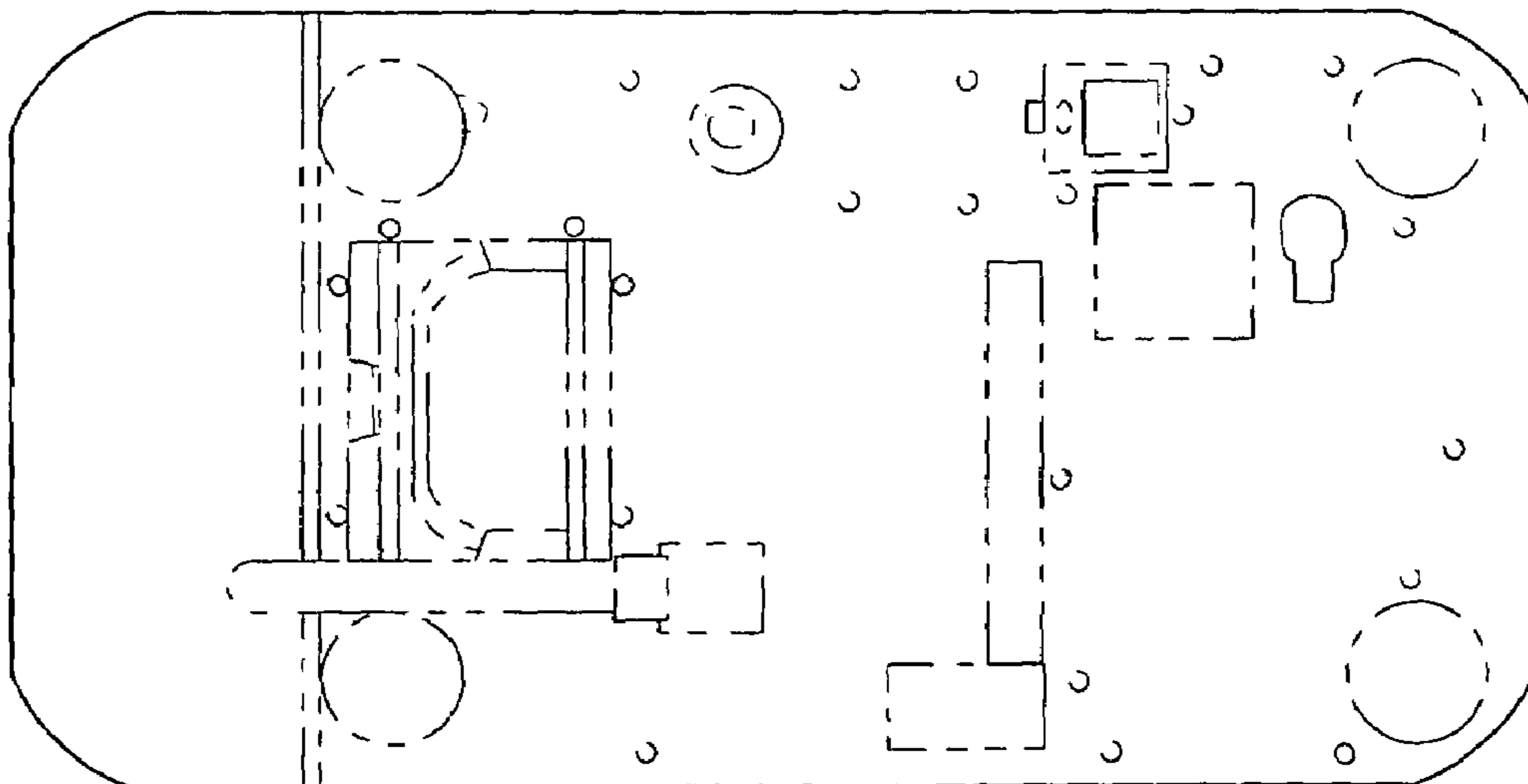


FIG. 2

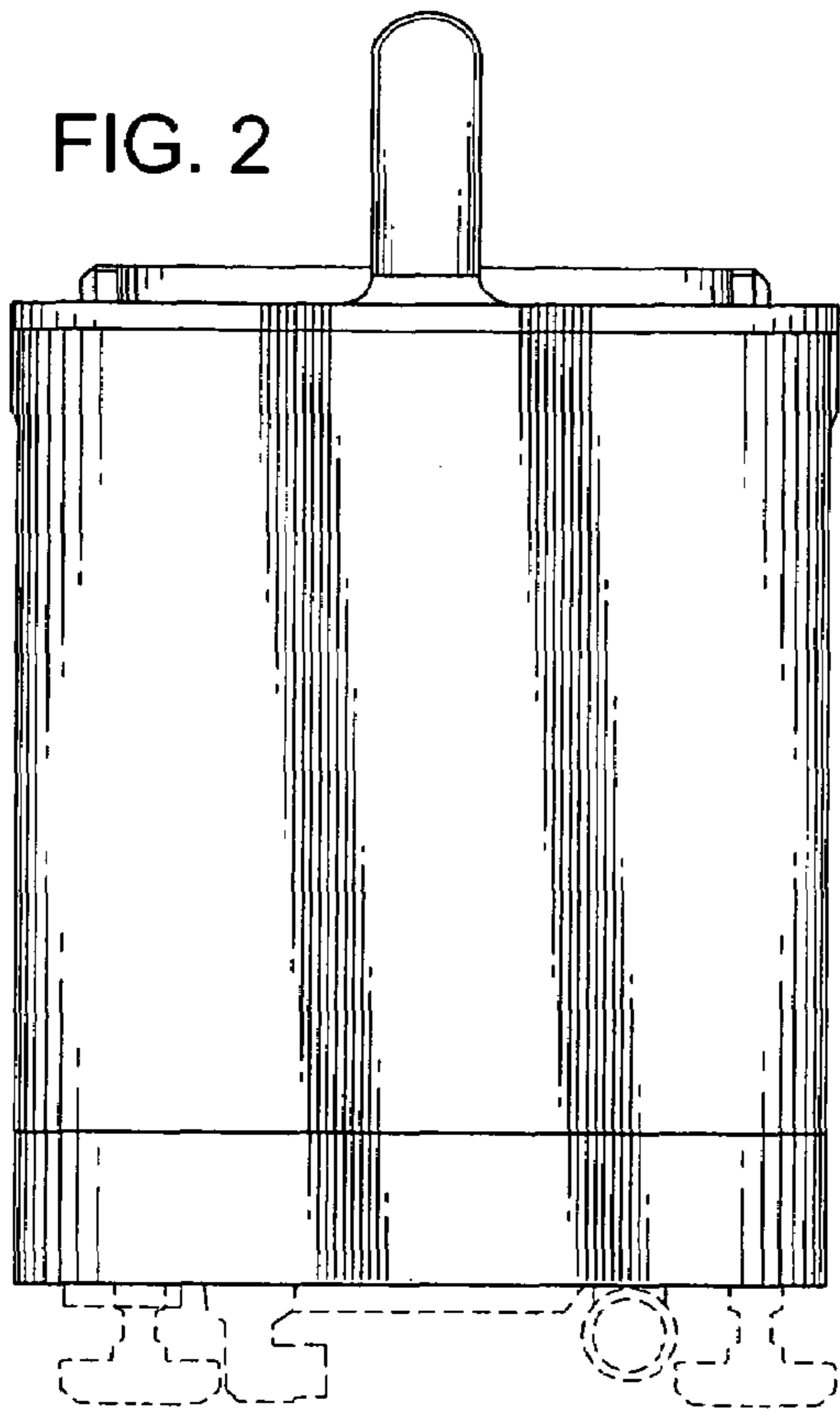


FIG. 3

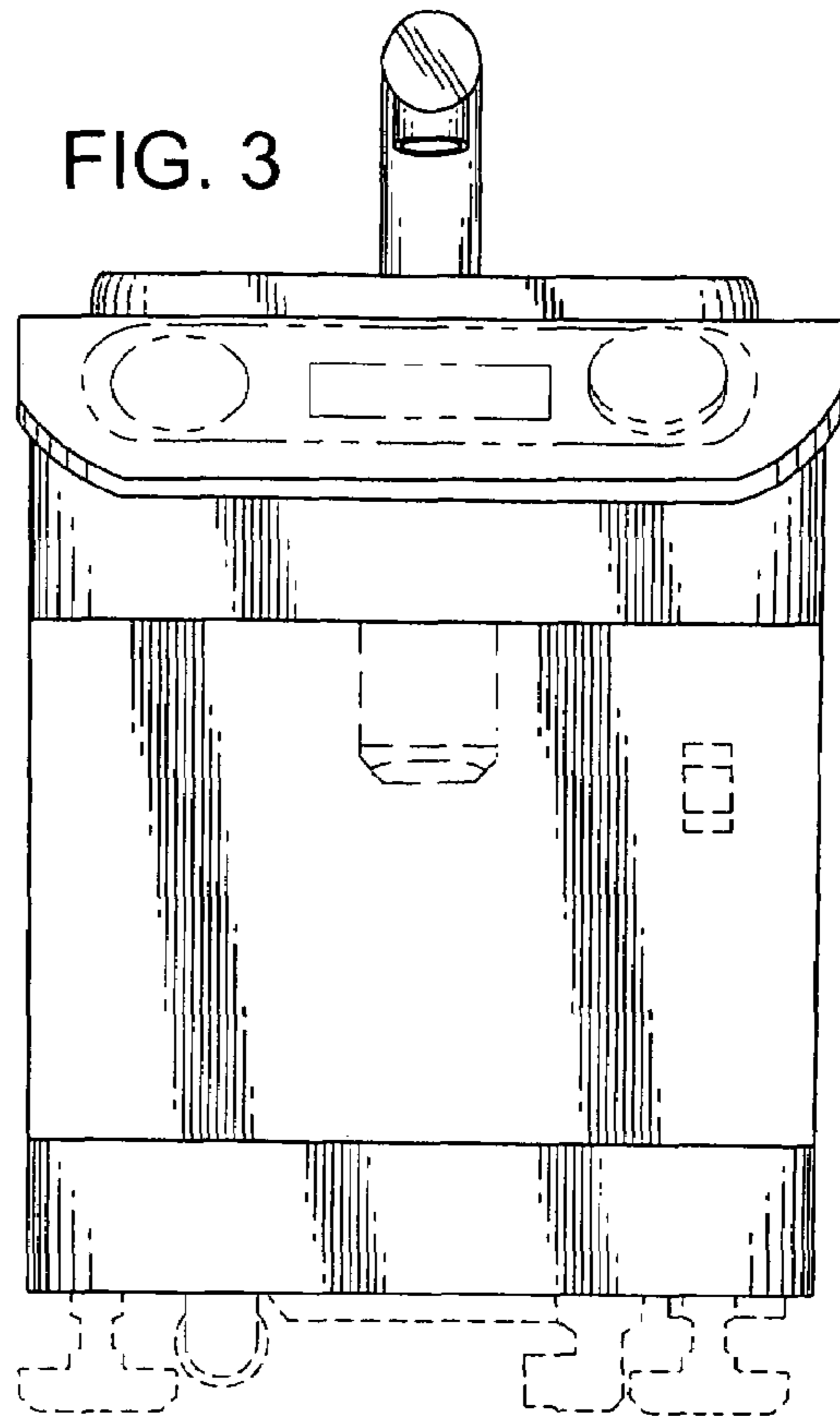


FIG. 4

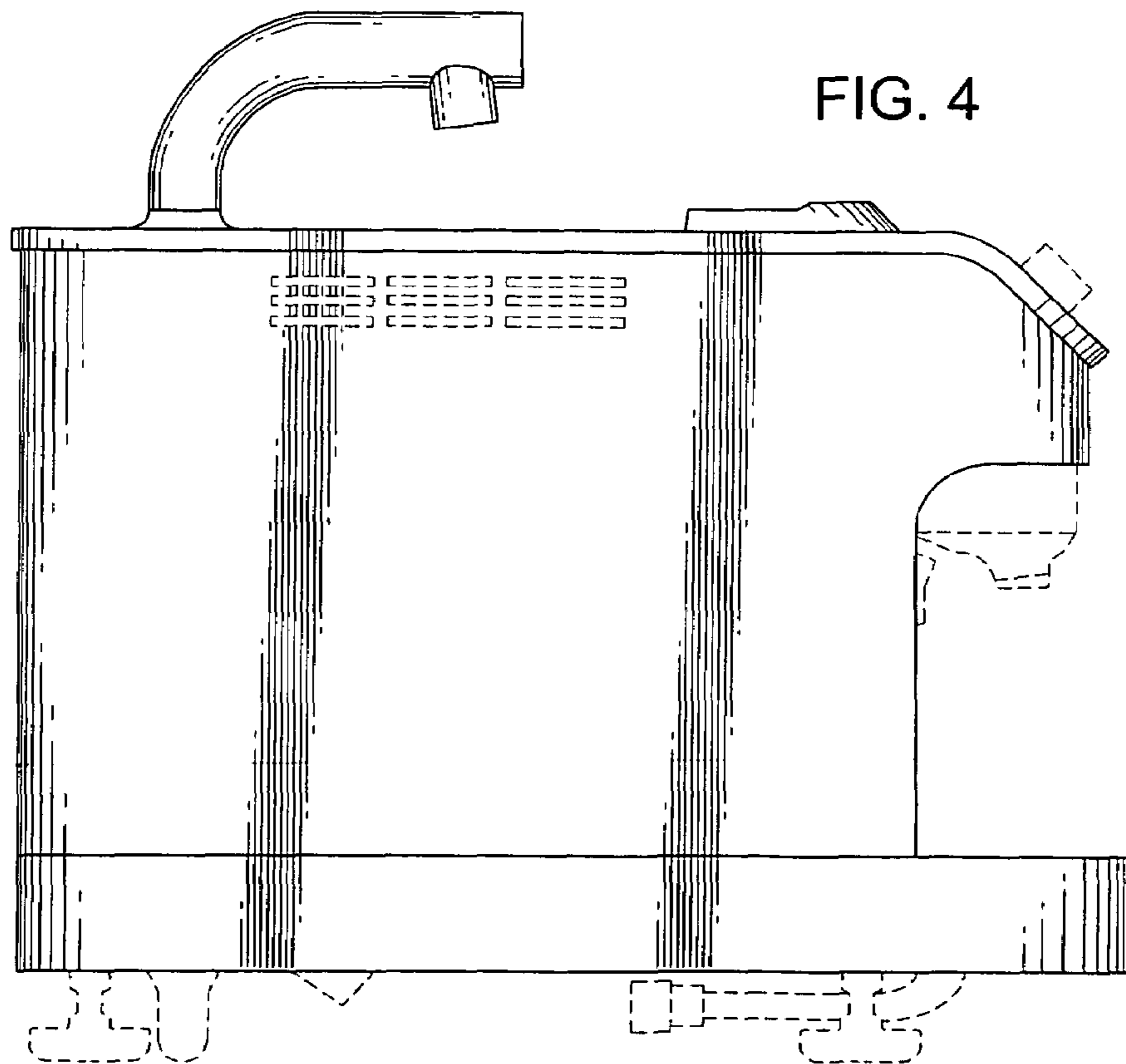


FIG. 5

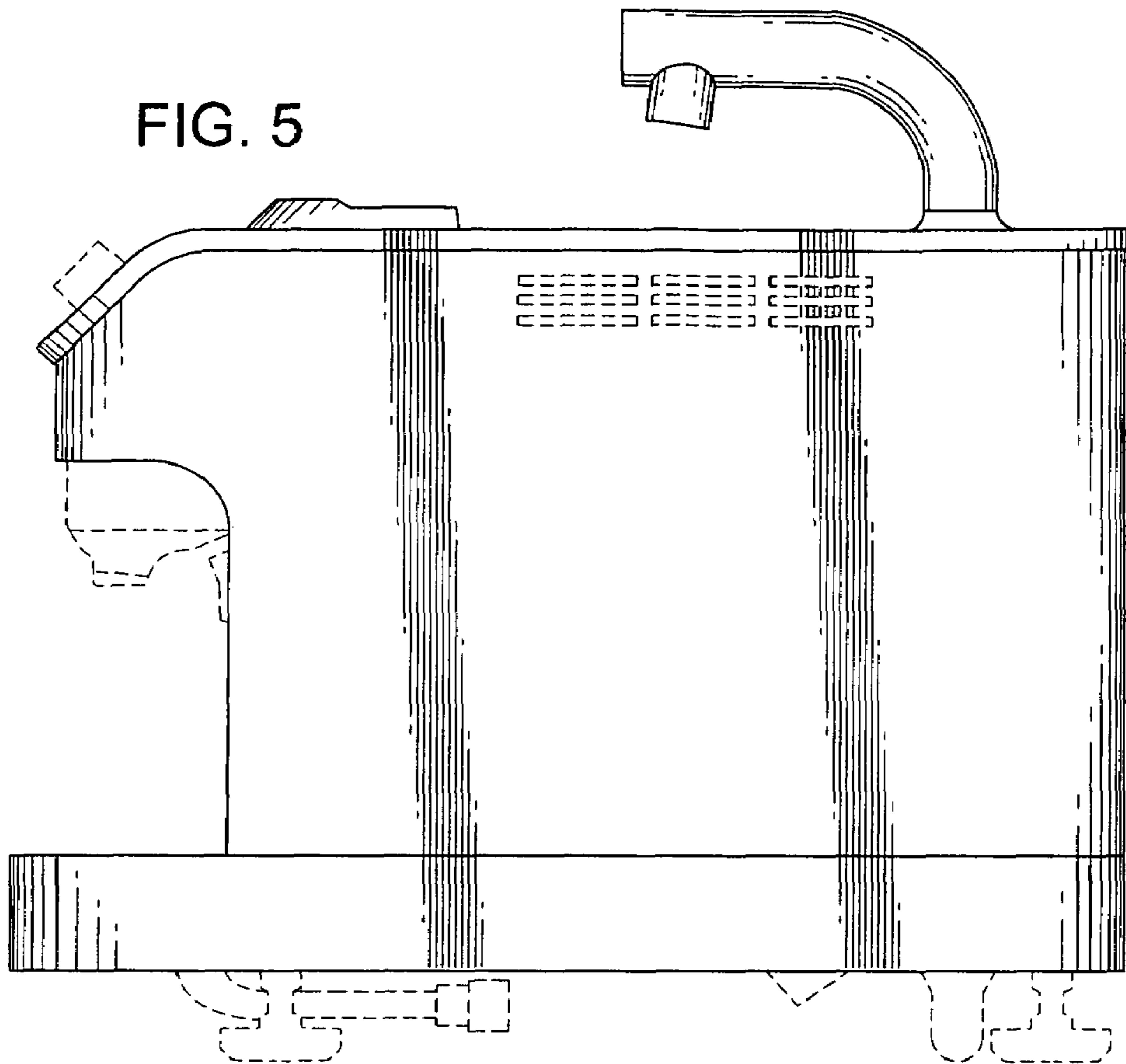


FIG. 6

