



US00D562049S

(12) **United States Design Patent**
Abolfazlian

(10) **Patent No.:** **US D562,049 S**

(45) **Date of Patent:** **** Feb. 19, 2008**

(54) **HARD BOX FOR MEDIA DISK**

(75) Inventor: **Mazyar Abolfazlian, Århus C (DK)**

(73) Assignee: **Glud & Marstrand A/S, Losning (DK)**

(**) Term: **14 Years**

(21) Appl. No.: **29/204,468**

(22) Filed: **Apr. 30, 2004**

(30) **Foreign Application Priority Data**

Oct. 31, 2003 (EM) ED 2003 00071
Mar. 9, 2004 (EM) 102116

(51) **LOC (8) Cl.** **06-02**

(52) **U.S. Cl.** **D6/632**

(58) **Field of Classification Search** D6/407,
D6/629, 630, 631, 632, 633, 634; 206/307,
206/307.1, 308.1, 309-313, 209; 211/40,
211/41.1, 41.12, 126.1; D9/415, 420, 423,
D9/432; 40/721; D19/75

See application file for complete search history.

(56) **References Cited**

U.S. PATENT DOCUMENTS

4,511,034 A * 4/1985 Pan 206/310
5,377,825 A * 1/1995 Sykes et al. 206/232
D367,796 S * 3/1996 Ozeki D6/629
D378,333 S * 3/1997 Anderson D6/632
5,819,928 A * 10/1998 Wynalda, Jr. 206/308.1
D403,197 S * 12/1998 Bandy et al. D6/634
D419,359 S * 1/2000 Eguchi et al. D6/634
6,036,008 A * 3/2000 Hutton 206/303
D452,762 S * 1/2002 Lee D2/632
D463,944 S * 10/2002 Wynalda et al. D6/635
D472,420 S * 4/2003 Marsilio et al. D6/634

D477,143 S * 7/2003 Nagata et al. D3/294
D481,251 S * 10/2003 Yau D6/632
D483,980 S * 12/2003 Wynalda et al. D6/632
6,685,022 B2 * 2/2004 Sullivan 206/472
D494,001 S * 8/2004 Wynalda et al. D6/634
6,769,540 B2 * 8/2004 Hsieh et al. 206/307
D502,041 S * 2/2005 Wynalda et al. D6/632
D508,813 S * 8/2005 Sankey et al. D6/632
D517,911 S * 3/2006 Alexander et al. D9/433
D520,799 S * 5/2006 Breuner D6/634
7,073,664 B2 * 7/2006 Wang 206/308.1
7,104,396 B2 * 9/2006 Marsilio et al. 206/308.1

* cited by examiner

Primary Examiner—Ian Simmons

Assistant Examiner—Charles D Hanson

(74) *Attorney, Agent, or Firm*—Day Pitney LLP

(57) **CLAIM**

The ornamental design for a hard box for media disk, as shown and described.

DESCRIPTION

FIG. 1 is a front left perspective view of a hard box for media disk showing my new design;

FIG. 2 is a right rear perspective view thereof;

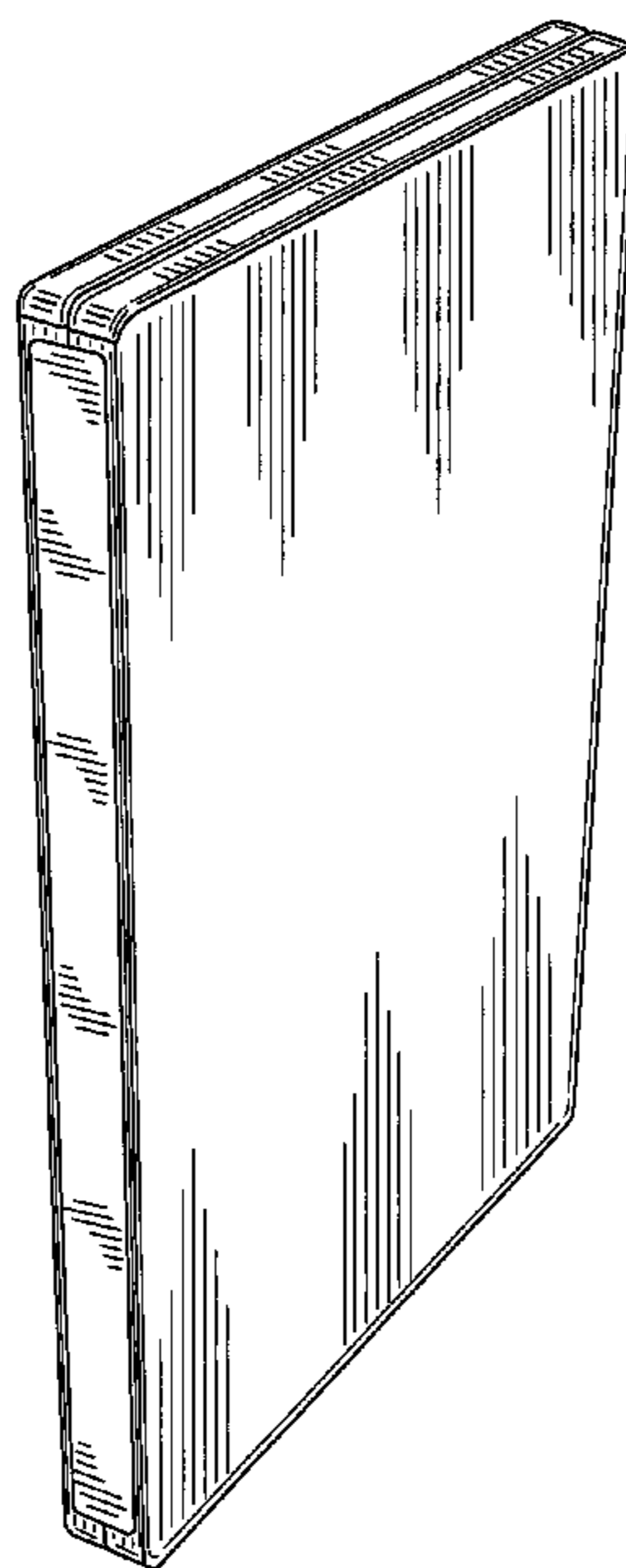
FIG. 3 is an end perspective view thereof in an open position;

FIG. 4 is an interior perspective view thereof in an open position; and,

FIG. 5 is an exploded view thereof.

The broken line showing is included for the purpose of showing the boundary of what is claimed and forms no part of the claimed design.

1 Claim, 5 Drawing Sheets



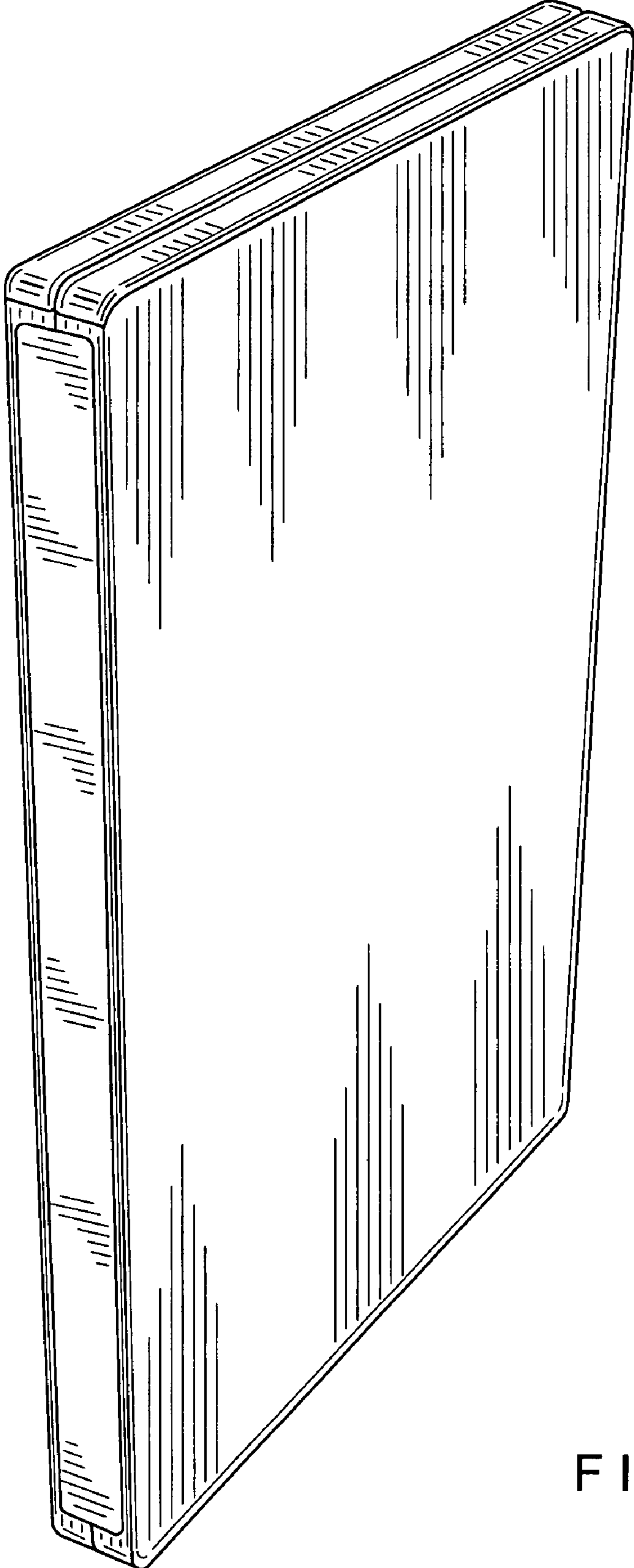


FIG. 1

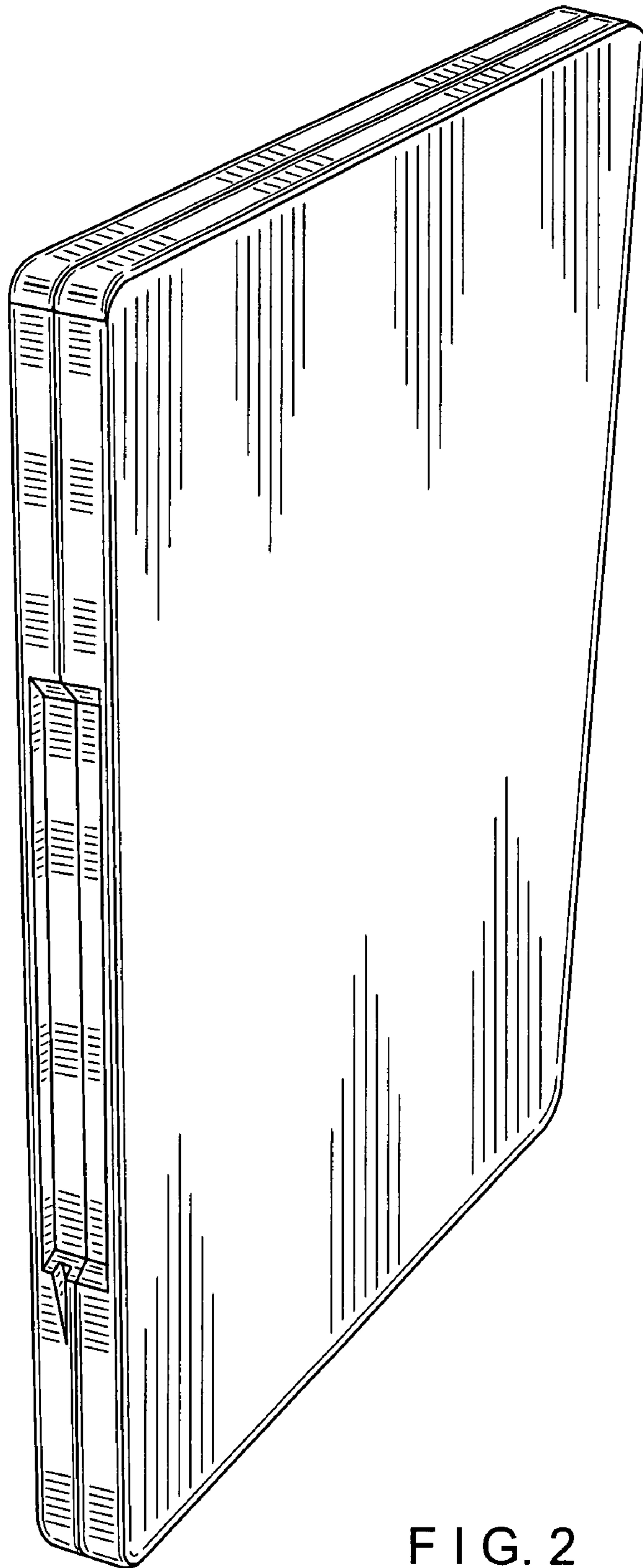


FIG. 2

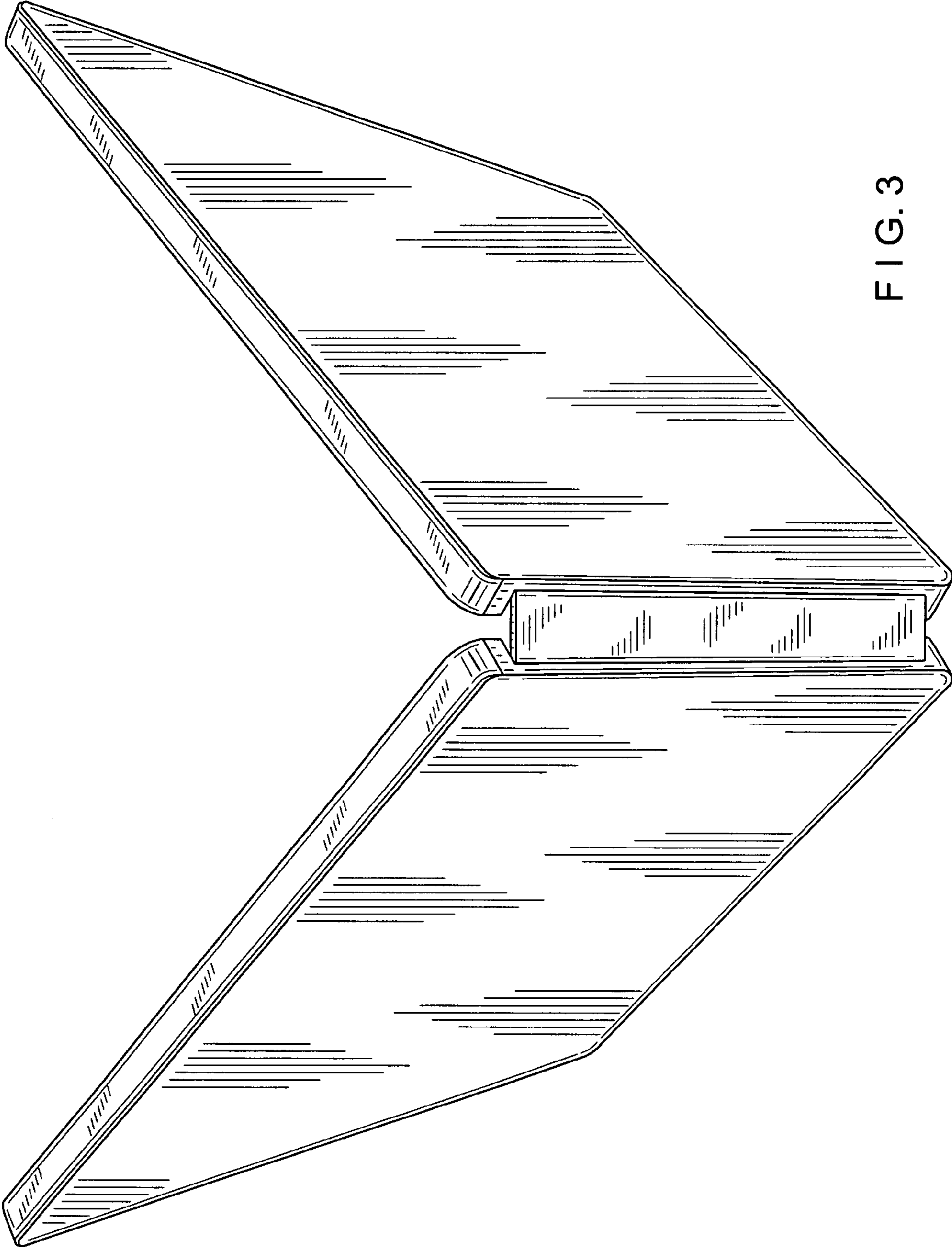


FIG. 3

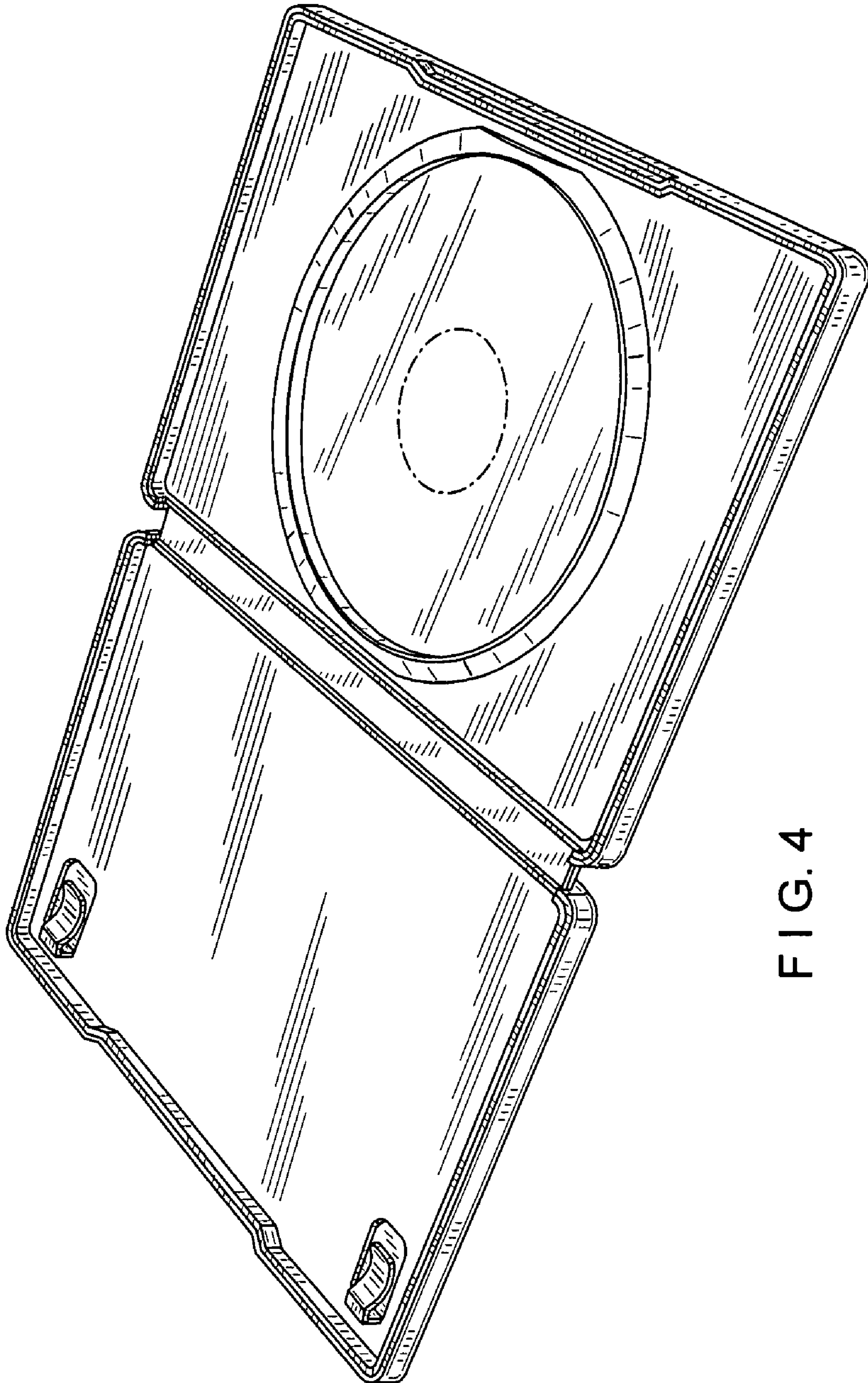


FIG. 4

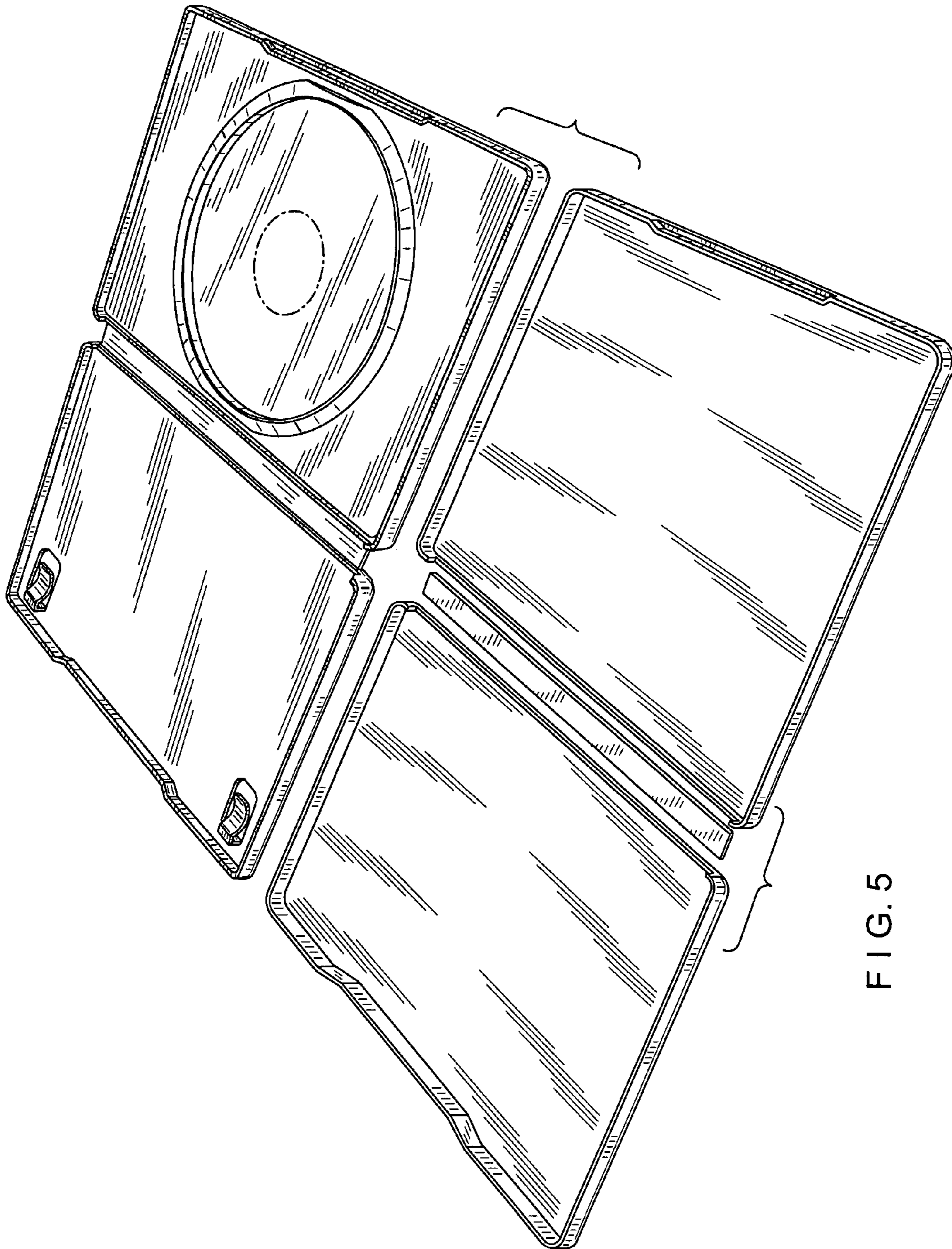


FIG. 5



US00D562049C1

(12) **EX PARTE REEXAMINATION CERTIFICATE (7938th)**
United States Patent
Abolfazlian

(10) **Number: US D562,049 C1**
(45) **Certificate Issued: Dec. 14, 2010**

- (54) **HARD BOX FOR MEDIA DISK**
- (75) Inventor: **Mazyar Abolfazlian, Århus C (DK)**
- (73) Assignee: **Glud & Marstrand A/S, Losning (DK)**

Reexamination Request:
No. 90/010,810, Jan. 5, 2010

Reexamination Certificate for:
Patent No.: **Des. 562,049**
Issued: **Feb. 19, 2008**
Appl. No.: **29/204,468**
Filed: **Apr. 30, 2004**

(**) Term: **14 Years**

(30) **Foreign Application Priority Data**

Oct. 31, 2003 (EM) ED 2003 00071
Mar. 9, 2004 (EM) 102116

- (51) **LOC (9) Cl. 06-04**
- (52) **U.S. Cl. D6/632**
- (58) **Field of Classification Search D6/632,**
D6/634; 206/310, 308.1
See application file for complete search history.

(56) **References Cited**

U.S. PATENT DOCUMENTS

4,471,881 A 9/1984 Foster
 4,511,034 A 4/1985 Pan
 4,634,019 A 1/1987 Pherigo
 4,714,157 A 12/1987 Morrone
 4,722,439 A 2/1988 Grobecker et al.
 5,284,242 A 2/1994 Roth et al.
 D347,728 S * 6/1994 Taniyama D6/634
 5,377,825 A 1/1995 Sykes et al.
 5,477,961 A 12/1995 Taniyama
 D367,796 S 3/1996 Ozeki
 5,499,714 A * 3/1996 Konno 206/387.13
 D378,333 S 3/1997 Anderson
 D385,145 S 10/1997 VerWeyst et al.
 5,676,272 A 10/1997 Baerenwald
 5,690,224 A * 11/1997 Koizumi 206/387.1
 5,725,105 A 3/1998 Boland
 5,769,217 A 6/1998 Derraugh et al.

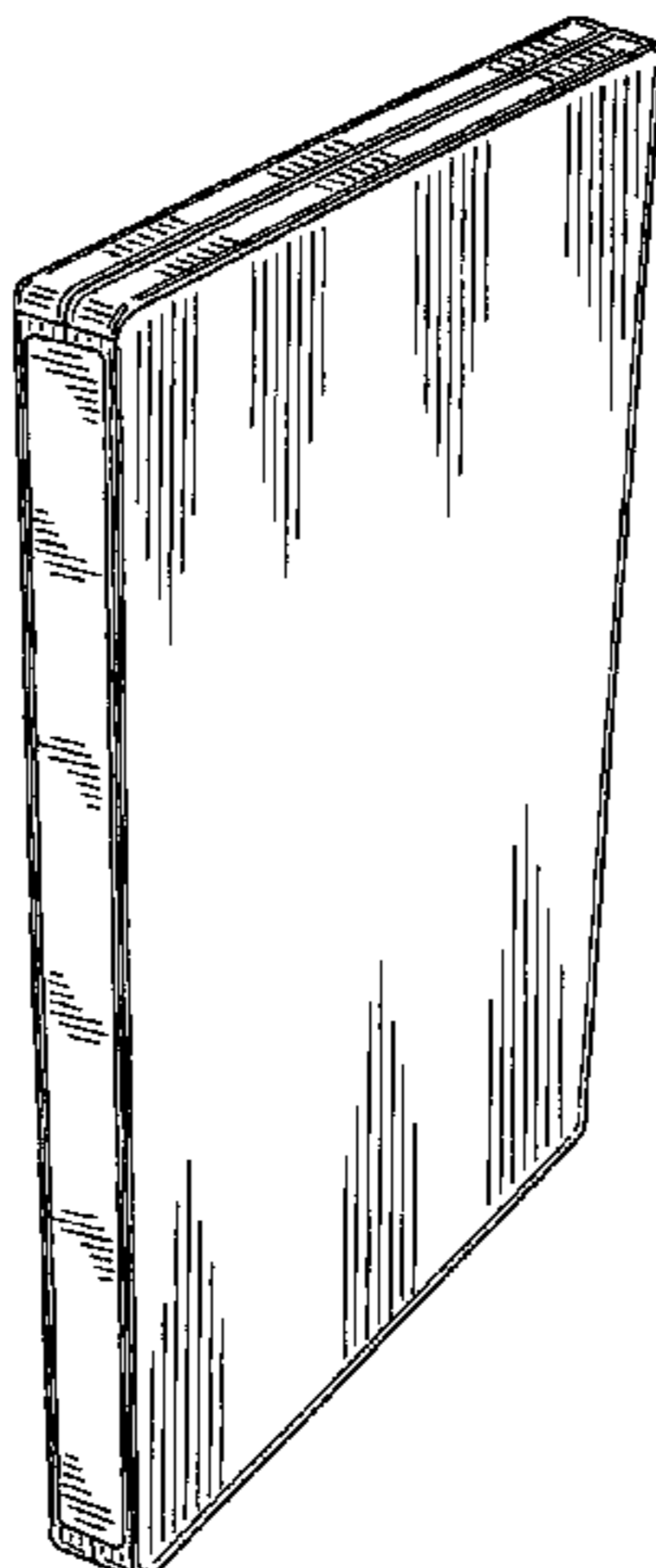
5,782,348 A * 7/1998 Burdett 206/308.1
 5,782,371 A 7/1998 Baerenwald et al.
 5,788,068 A 8/1998 Fraser et al.
 5,819,928 A 10/1998 Wynalda, Jr.
 5,829,583 A 11/1998 VerWeyst et al.
 D403,197 S 12/1998 Bandy et al.
 5,887,713 A 3/1999 Smith et al.
 5,908,109 A 6/1999 Muto
 5,975,298 A * 11/1999 Sankey et al. 206/387.13
 5,984,094 A 11/1999 Frick
 5,988,375 A 11/1999 Chang
 D419,359 S 1/2000 Eguchi et al.
 6,016,909 A * 1/2000 Chang 206/310
 6,036,008 A 3/2000 Hutton
 6,041,922 A 3/2000 Kollinek
 6,065,594 A 5/2000 Sankey et al.
 6,109,454 A 8/2000 Stangebye-Hanson
 D434,777 S 12/2000 Peterson et al.
 6,155,417 A * 12/2000 Flores et al. 206/308.1
 6,161,690 A 12/2000 Isozaki
 D437,520 S 2/2001 Choi

(Continued)

FOREIGN PATENT DOCUMENTS

EP 0576256 6/1993
 EP 0 671 743 3/1995
 EP 0789914 3/1995
 EP 0 744 746 4/1996
 EP 0 874 768 10/1996
 EP 0 866 458 7/1997
 EP 0 895 243 6/1998
 EP 1 107 257 3/1999
 EP 1083569 9/1999
 EP 1 100 088 11/2000
 FR 2 753 297 9/1996
 GB 2 243 145 4/1990
 JP 8102178 9/1994
 JP 2002-104563 10/2000
 NL 1000324 5/1995
 WO WO 96/35628 5/1996
 WO WO 00/49619 2/2000
 WO WO 00/74057 5/2000
 WO WO 01/96212 6/2001
 WO WO 03/023783 3/2003

Primary Examiner—Jeffrey D Asch



US D562,049 C1

Page 2

U.S. PATENT DOCUMENTS

6,196,384	B1	3/2001	Belden, Jr.		
6,199,689	B1	3/2001	Higuchi et al.		
D440,108	S	4/2001	Derman		
6,220,431	B1	4/2001	Kaser		
6,227,362	B1	5/2001	Cheung		
6,276,524	B1	8/2001	Cerda-Vilaplana et al.		
D450,973	S	11/2001	Bieda		
D451,299	S	12/2001	Cheng		
D451,747	S	12/2001	Tang		
D452,104	S	12/2001	Tang		
D452,105	S	12/2001	Chan		
D452,762	S	1/2002	Lee		
D455,595	S	4/2002	Ikeda et al.		
6,364,107	B1 *	4/2002	Flores et al.	206/308.1	
6,364,108	B1 *	4/2002	Bin	206/310	
6,375,003	B1	4/2002	Lethen et al.		
6,431,352	B1	8/2002	Khosla		
D463,944	S	10/2002	Wynalda, Jr. et al.		
D465,960	S	11/2002	Yau		
6,478,150	B1	11/2002	Solling		
D468,621	S	1/2003	Farrar et al.		
6,502,694	B1 *	1/2003	Pijanowski et al.	206/310	
6,516,945	B2 *	2/2003	Myszka et al.	206/308.2	
D472,420	S	4/2003	Marsilio et al.		
6,547,067	B1 *	4/2003	Liu	206/308.1	
6,561,347	B1	5/2003	Lax		
D477,143	S	7/2003	Nagata et al.		
D481,251	S	10/2003	Yau		
D483,980	S	12/2003	Wynalda, Jr. et al.		
6,675,963	B2 *	1/2004	Myszka et al.	206/308.2	
6,685,022	B2	2/2004	Sullivan		
6,715,607	B2	4/2004	Wetsch		
6,726,008	B1 *	4/2004	Lee	206/310	
D494,001	S	8/2004	Wynalda, Jr. et al.		
6,769,540	B2	8/2004	Hsieh et al.		
D502,041	S	2/2005	Wynalda, Jr. et al.		
D508,813	S	8/2005	Sankey et al.		
7,004,316	B2 *	2/2006	Wawrzynowski	206/308.1	
D517,911	S	3/2006	Alexander et al.		
D520,291	S *	5/2006	Nagata et al.	D6/631	
D520,799	S	5/2006	Breuner		
7,051,872	B2 *	5/2006	Bjerregaard et al.	206/308.1	
D522,791	S	6/2006	Ho		
7,073,664	B2	7/2006	Wang		
7,104,396	B2	9/2006	Marsilio et al.		
7,232,032	B2 *	6/2007	Bjerregaard et al.	206/308.1	
7,350,642	B2 *	4/2008	Bjerregaard et al.	206/308.1	
D572,962	S *	7/2008	Freitag et al.	D6/634	
7,416,079	B2 *	8/2008	Osborn et al.	206/308.1	
2002/0020641	A1	2/2002	Cha et al.		
2002/0040857	A1	4/2002	Ho		
2002/0056654	A1	5/2002	Carman et al.		
2003/0015441	A1	1/2003	Kang et al.		
2003/0062276	A1	4/2003	Chung		
2004/0020801	A1	2/2004	Solling		
2004/0045845	A1	3/2004	Fraser et al.		
2004/0173481	A1 *	9/2004	Choi et al.	206/308.1	

* cited by examiner

**EX PARTE
REEXAMINATION CERTIFICATE
ISSUED UNDER 35 U.S.C. 307**

The patentability of one (the single claim) is confirmed.

The ornamental design for a hard box for media disk, as shown and described.

AS A RESULT OF REEXAMINATION, IT HAS BEEN
DETERMINED THAT:

* * * * *