



US00D562043S

(12) **United States Design Patent**
Rogers

(10) **Patent No.:** **US D562,043 S**

(45) **Date of Patent:** **** Feb. 19, 2008**

(54) **SNOWBOARD RACK**

(74) *Attorney, Agent, or Firm*—Pate Pierce & Baird

(76) **Inventor:** **David J. Rogers**, 4659 W. Maricopa Dr., Eagle, ID (US) 83616

(57) **CLAIM**

The ornamental design for a snowboard rack, as shown and described.

(**) **Term:** **14 Years**

(21) **Appl. No.:** **29/279,734**

DESCRIPTION

(22) **Filed:** **May 7, 2007**

(51) **LOC (8) Cl.** **08-08**

FIG. 1 is a perspective view of a snowboard rack showing my new design;

(52) **U.S. Cl.** **D6/552**

FIG. 2 is a front elevation view of the snowboard rack of FIG. 1;

(58) **Field of Classification Search** D6/552,
D6/553, 567; 211/13.1, 34-35, 86.01, 87.01,
211/89.01, 106.01; 248/309.1, 312

FIG. 3 is a back elevation view of the snowboard rack of FIG. 1;

See application file for complete search history.

FIG. 4 is a bottom plan view of the snowboard rack of FIG. 1;

(56) **References Cited**

U.S. PATENT DOCUMENTS

D354,872 S * 1/1995 Dix D6/552
6,293,412 B1 * 9/2001 Draper 211/87.01
D472,091 S * 3/2003 Bell D6/552

FIG. 5 is a top plan view of the snowboard rack of FIG. 1;

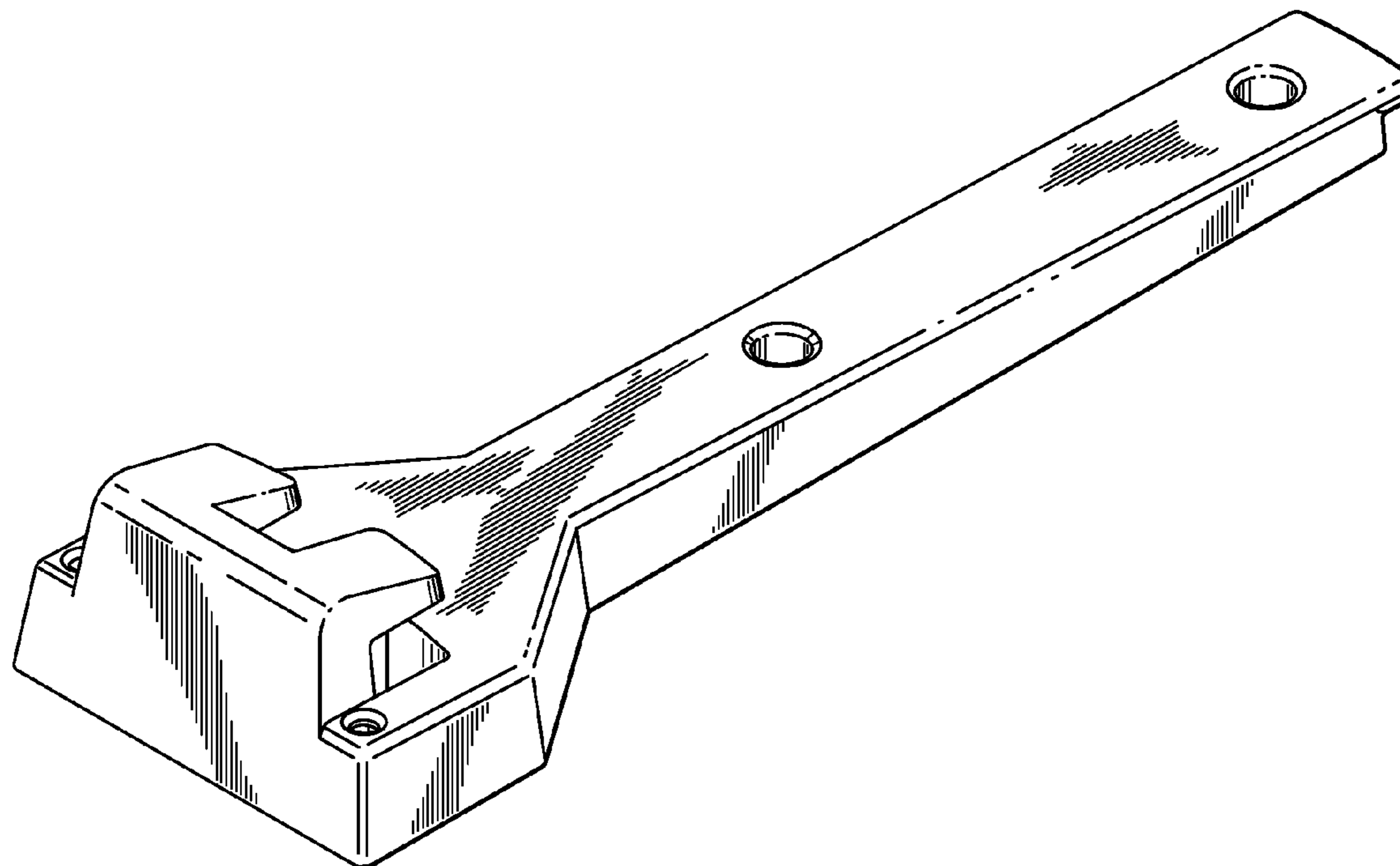
FIG. 6 is a right side elevation view of the snowboard rack of FIG. 1; and,

* cited by examiner

FIG. 7 is a left side elevation view of the snowboard rack of FIG. 1.

Primary Examiner—Brian N Vinson

1 Claim, 3 Drawing Sheets



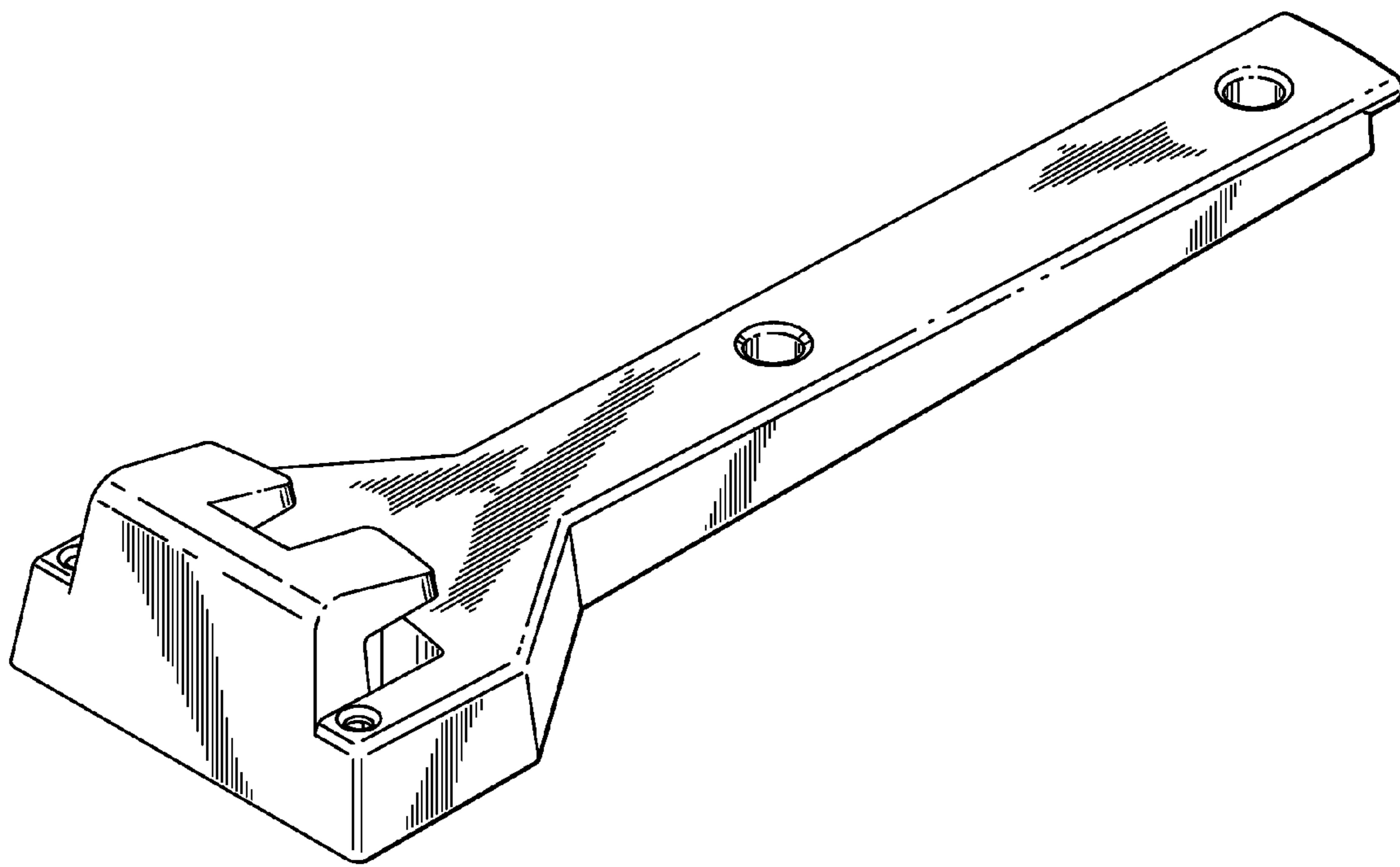


FIG. 1

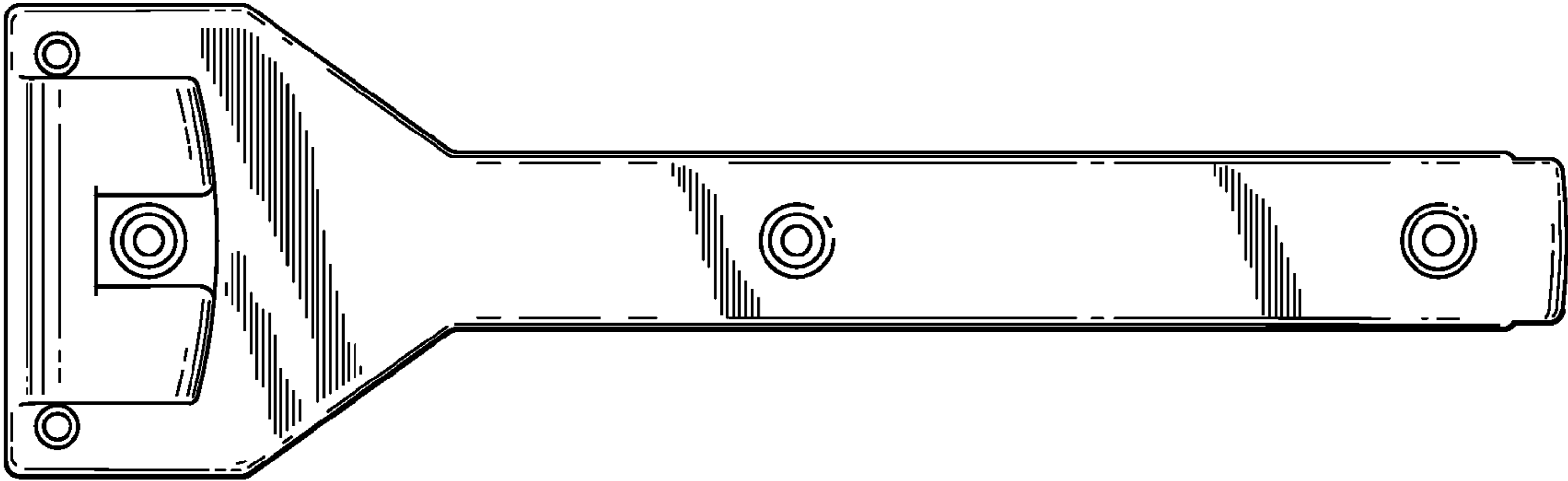


FIG. 2

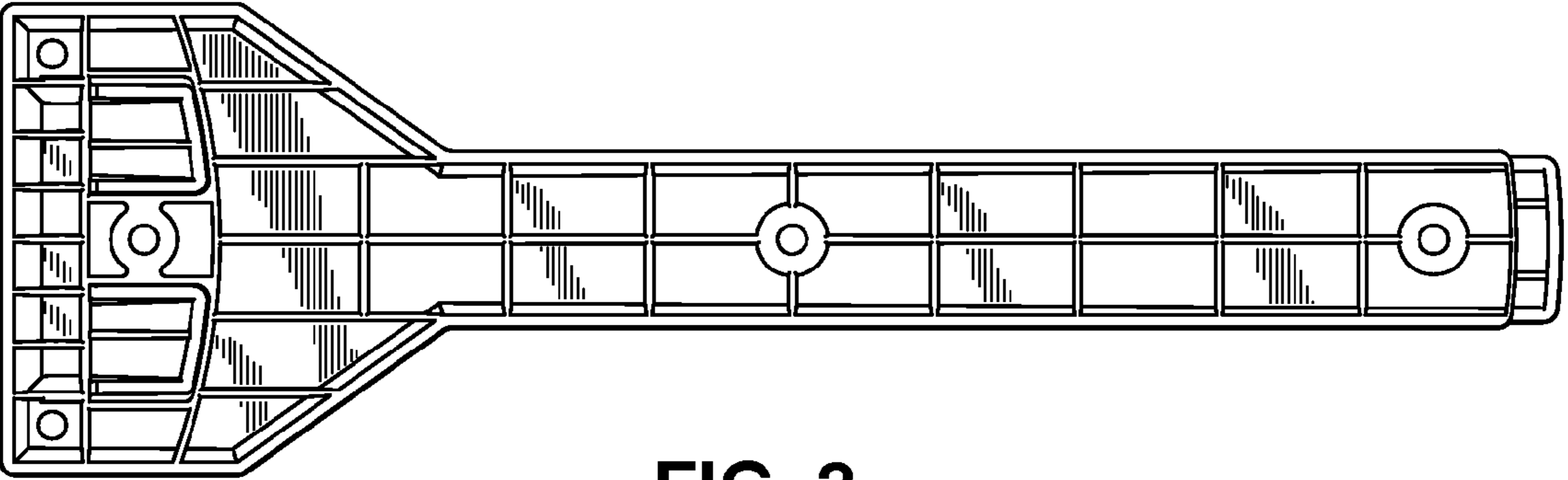


FIG. 3

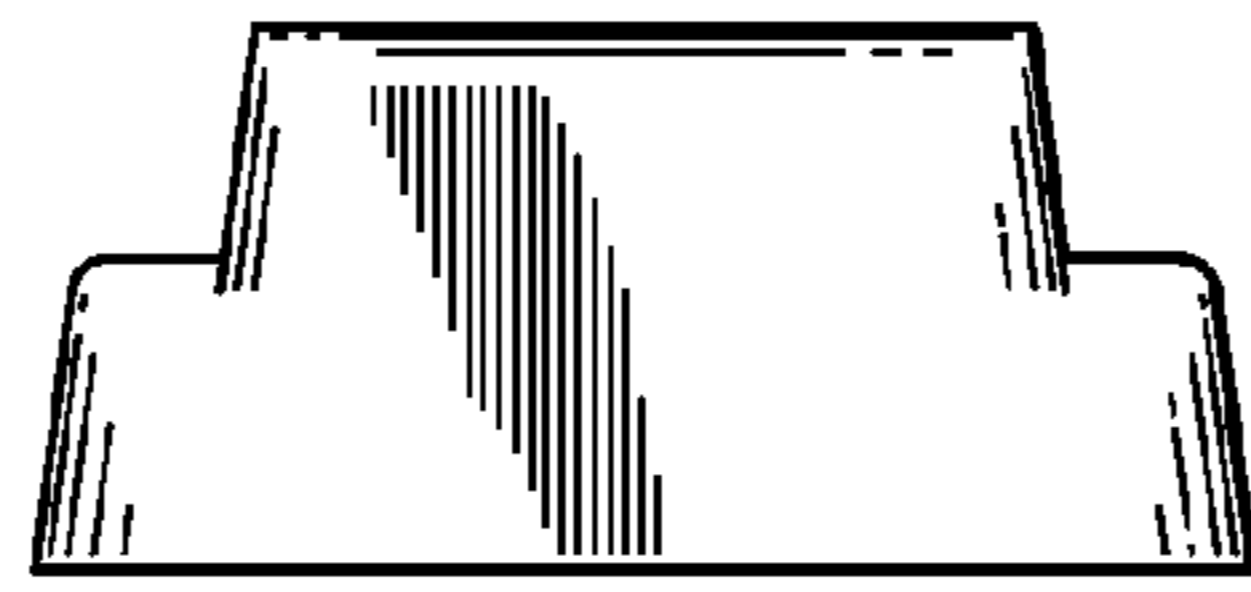


FIG. 4

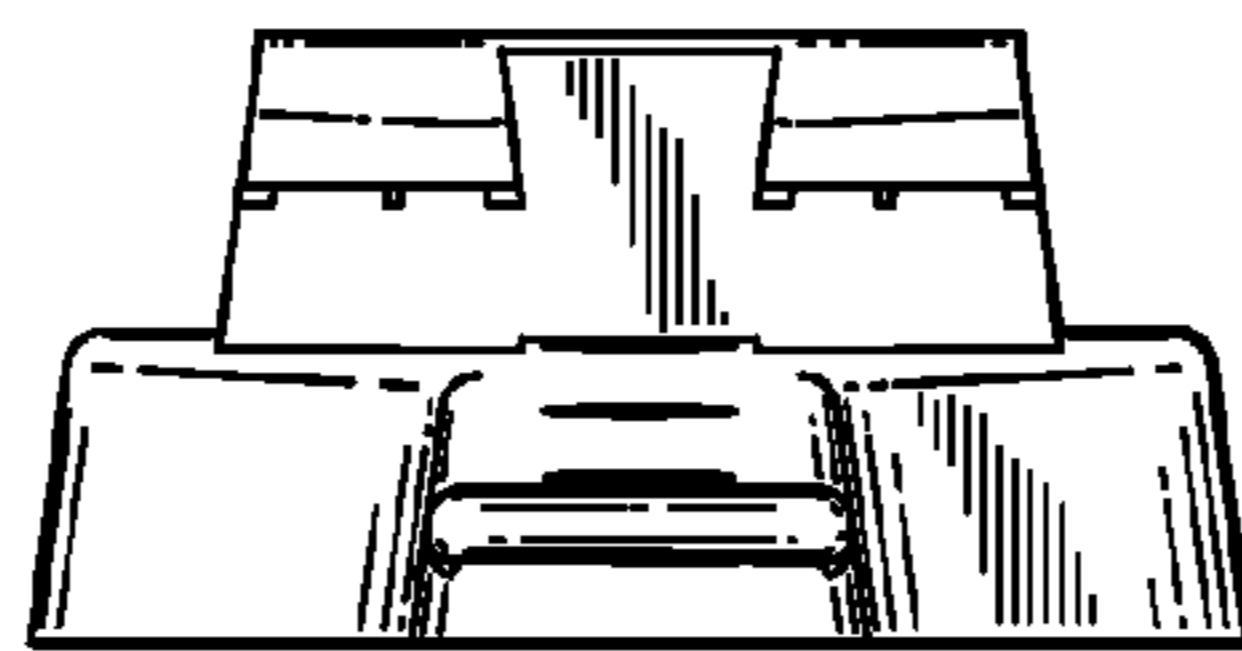


FIG. 5

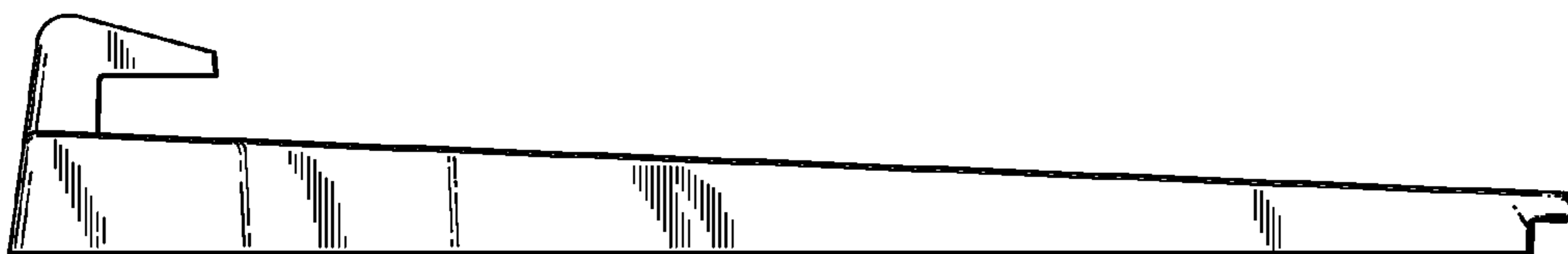


FIG. 6

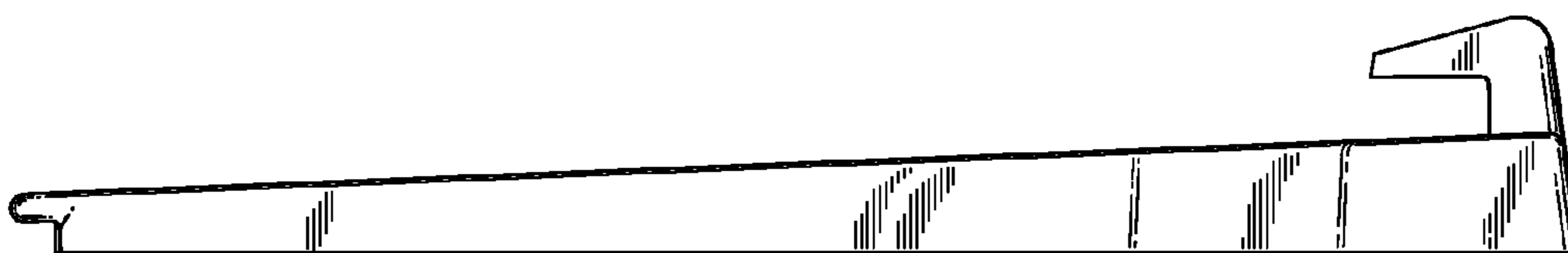


FIG. 7