

US00D562042S

(12) **United States Design Patent**
Shek

(10) **Patent No.:** **US D562,042 S**

(45) **Date of Patent:** **** Feb. 19, 2008**

(54) **INDUCTION TYPE PAPER DISPENSER**

(76) Inventor: **Michael Shek**, P.O. Box 44-2049,
Taipei (TW) 10668

(**) Term: **14 Years**

(21) Appl. No.: **29/271,701**

(22) Filed: **Jan. 25, 2007**

(51) **LOC (8) Cl.** **20-02**

(52) **U.S. Cl.** **D6/521**

(58) **Field of Classification Search** D6/546-550,
D6/518-519, 522-524; D8/300, 303, 315-321;
108/28-29; 211/13.1, 16, 60.1, 86.01, 87.01,
211/88.01, 88.04, 100, 105.1-105.2, 123,
211/181.1, 182; 248/175, 176.1, 251, 302;
16/110.1, 412, 415; 242/570, 590, 595-598
See application file for complete search history.

(56) **References Cited**

U.S. PATENT DOCUMENTS

D499,916 S * 12/2004 Yang et al. D6/521
D521,287 S * 5/2006 Mellen et al. D6/521
D522,293 S * 6/2006 Yang et al. D6/521

D523,672 S * 6/2006 Yang et al. D6/521
D528,836 S * 9/2006 Petersen-Rutten D6/521
D530,549 S * 10/2006 Yang et al. D6/521
D545,599 S * 7/2007 Yu D6/521
D548,504 S * 8/2007 Yang et al. D6/521

* cited by examiner

Primary Examiner—Brian N Vinson

(57) **CLAIM**

The ornamental design for an induction type paper dispenser, as shown and described.

DESCRIPTION

FIG. 1 is a perspective view of an induction type paper dispenser;

FIG. 2 is a front view thereof;

FIG. 3 is a back view thereof;

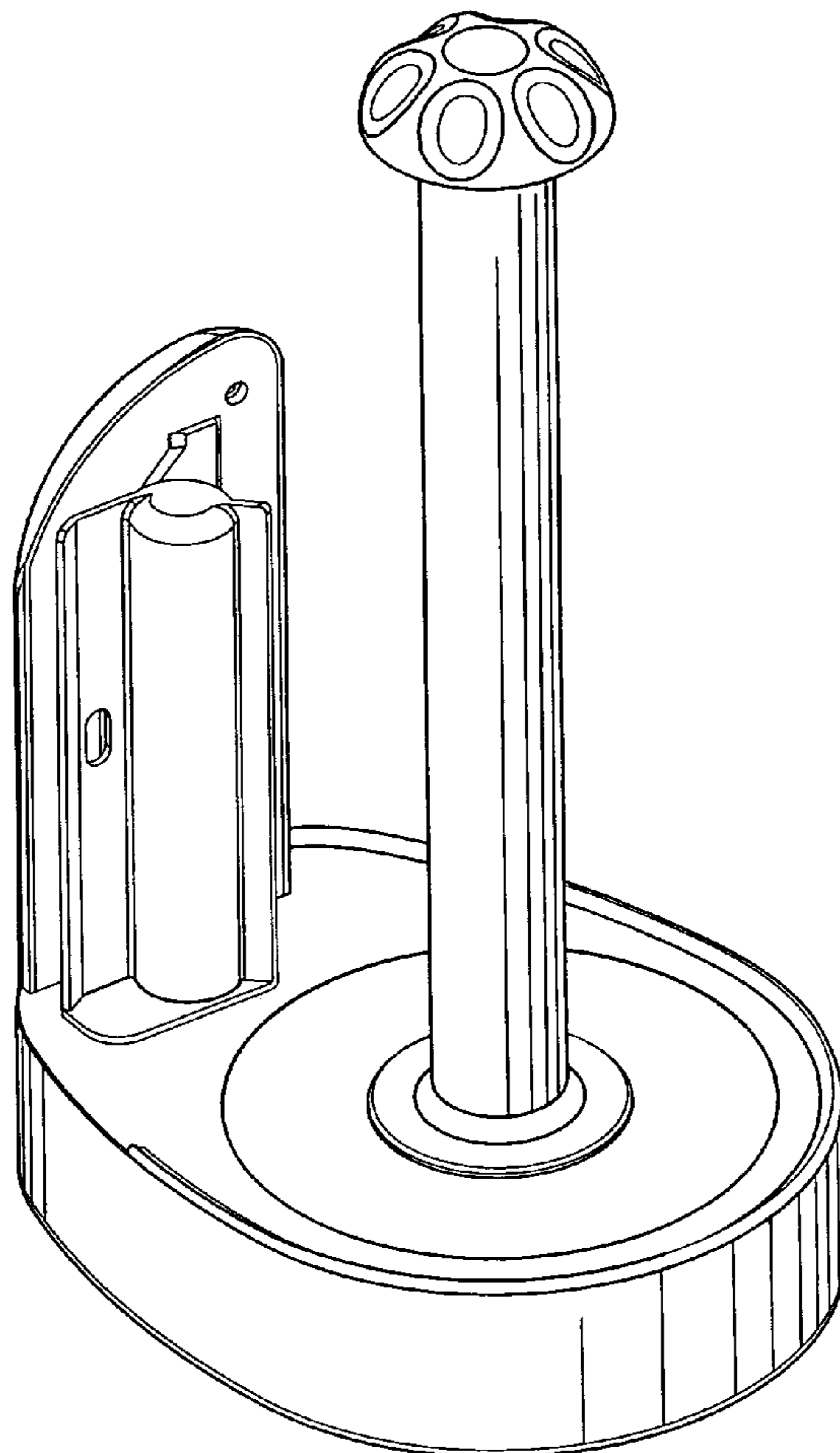
FIG. 4 is a left view thereof;

FIG. 5 is a right view thereof;

FIG. 6 is a top view thereof; and,

FIG. 7 is a bottom view thereof.

1 Claim, 6 Drawing Sheets



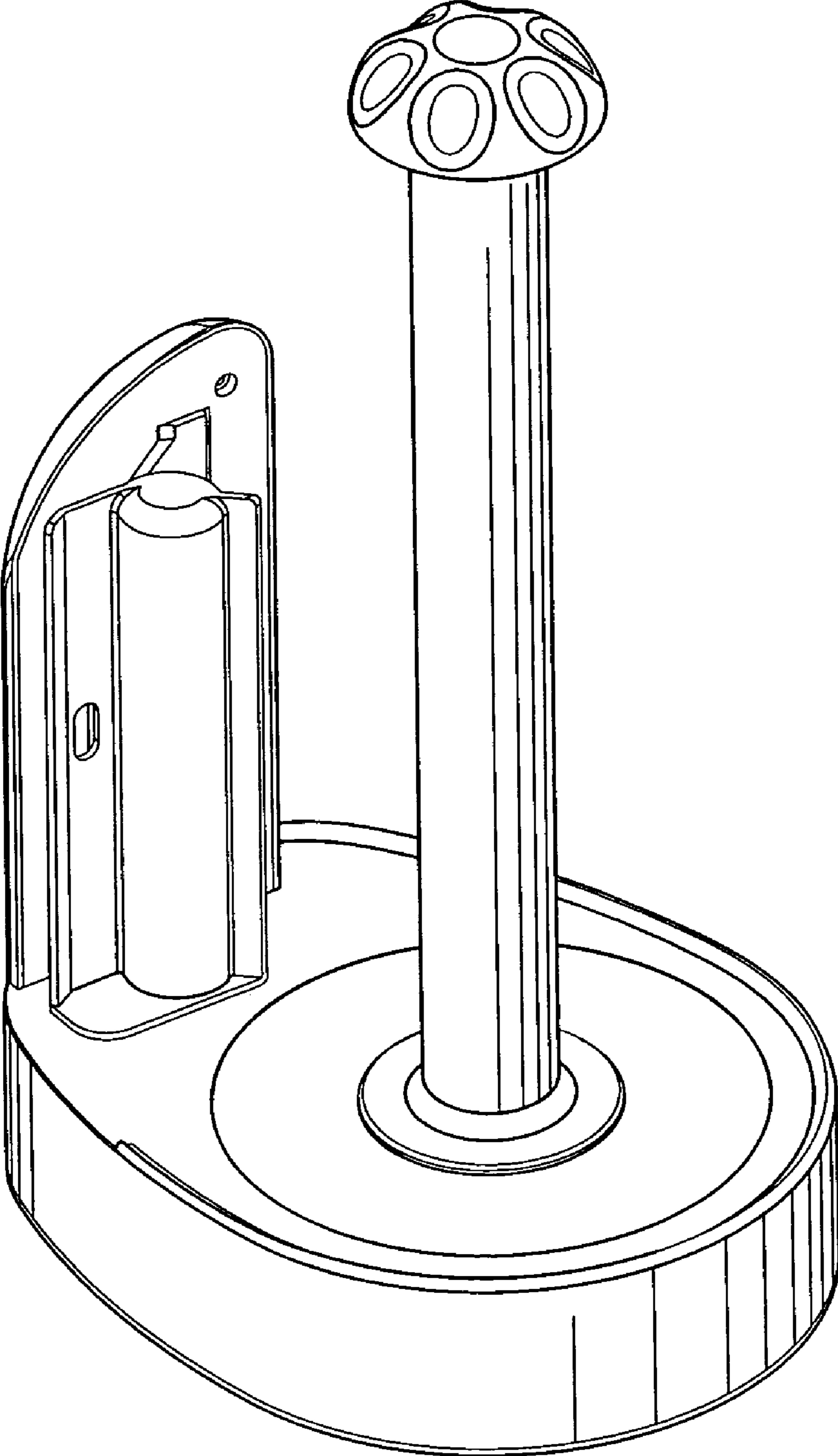


FIG. 1

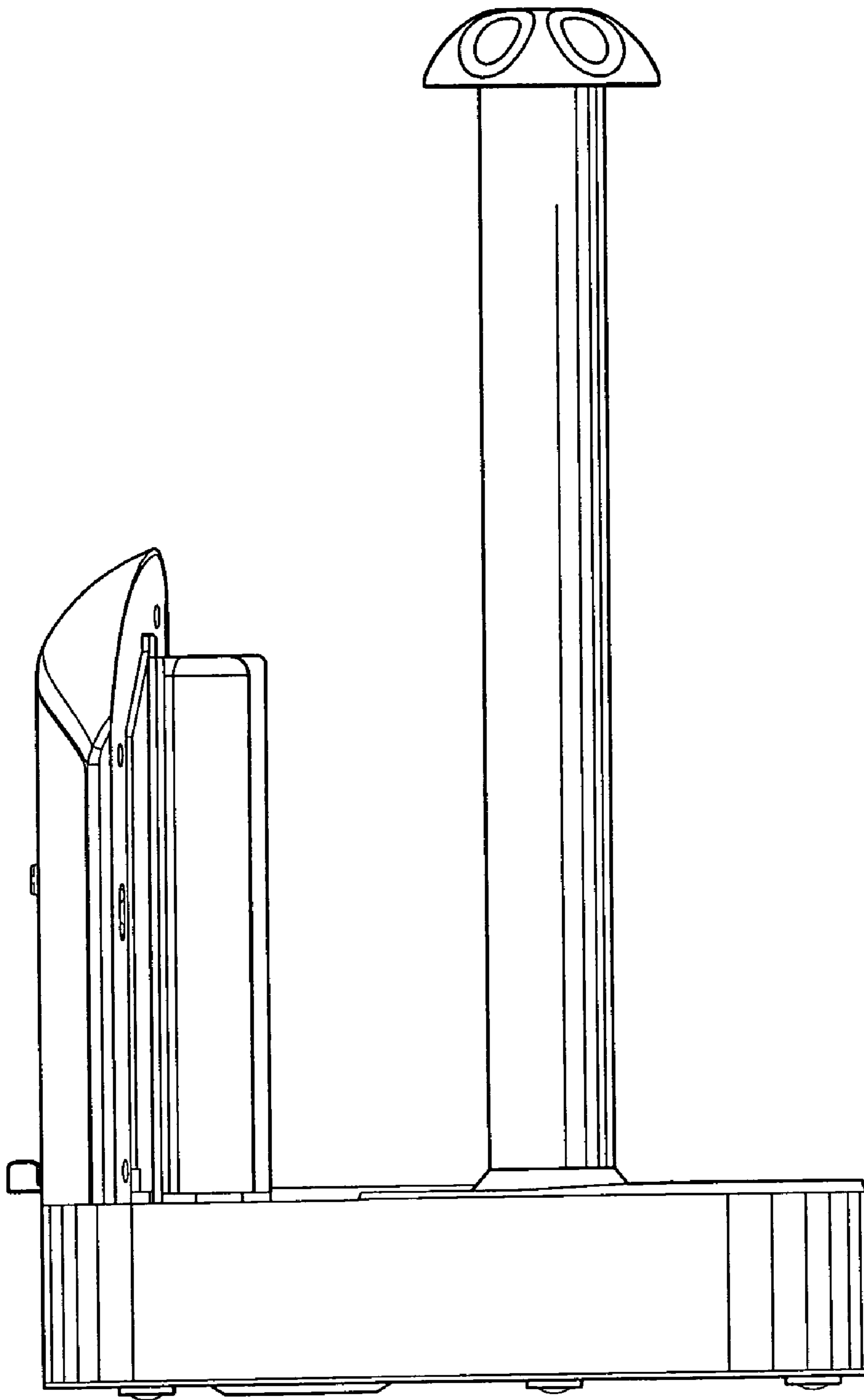


FIG. 2

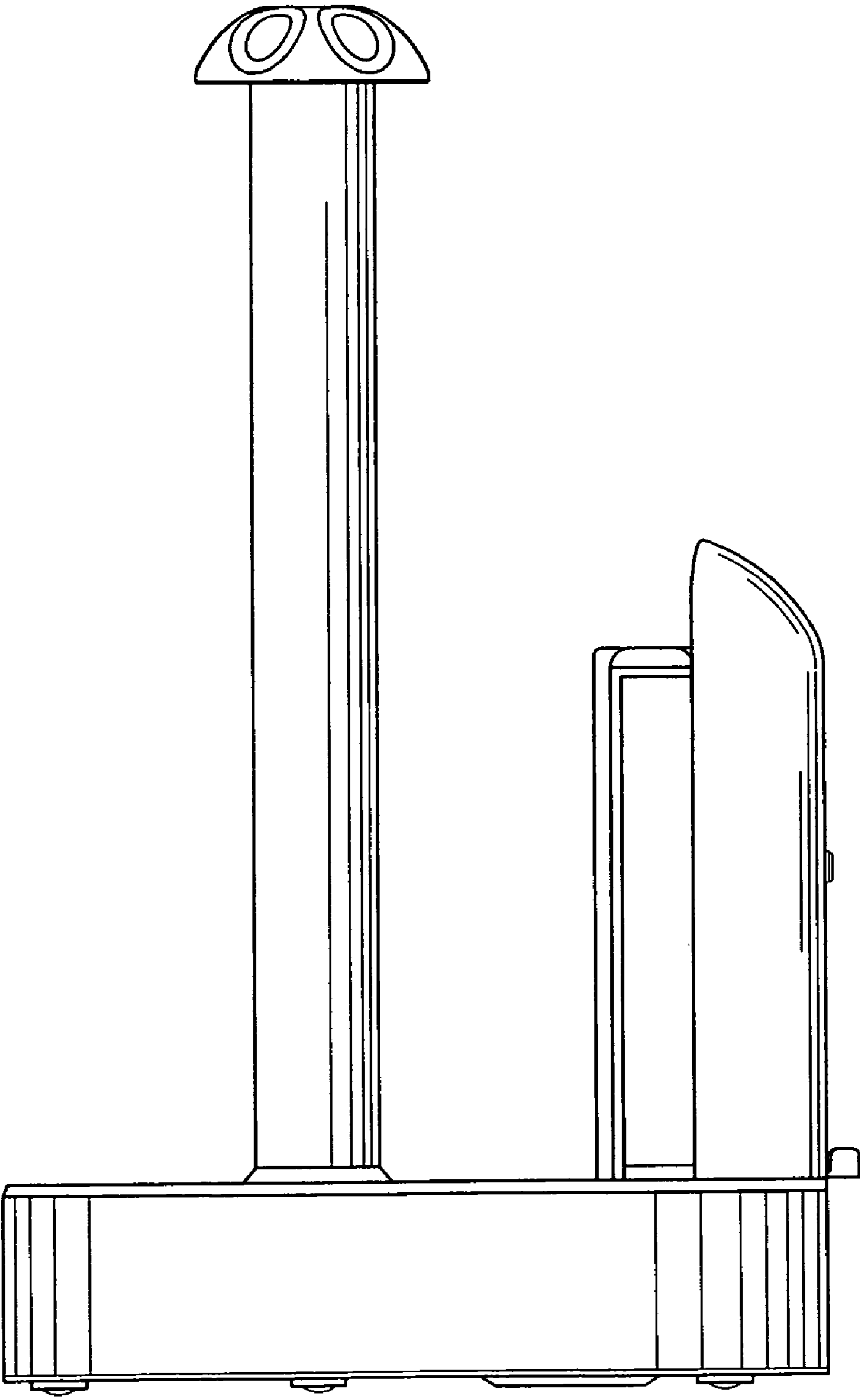


FIG. 3

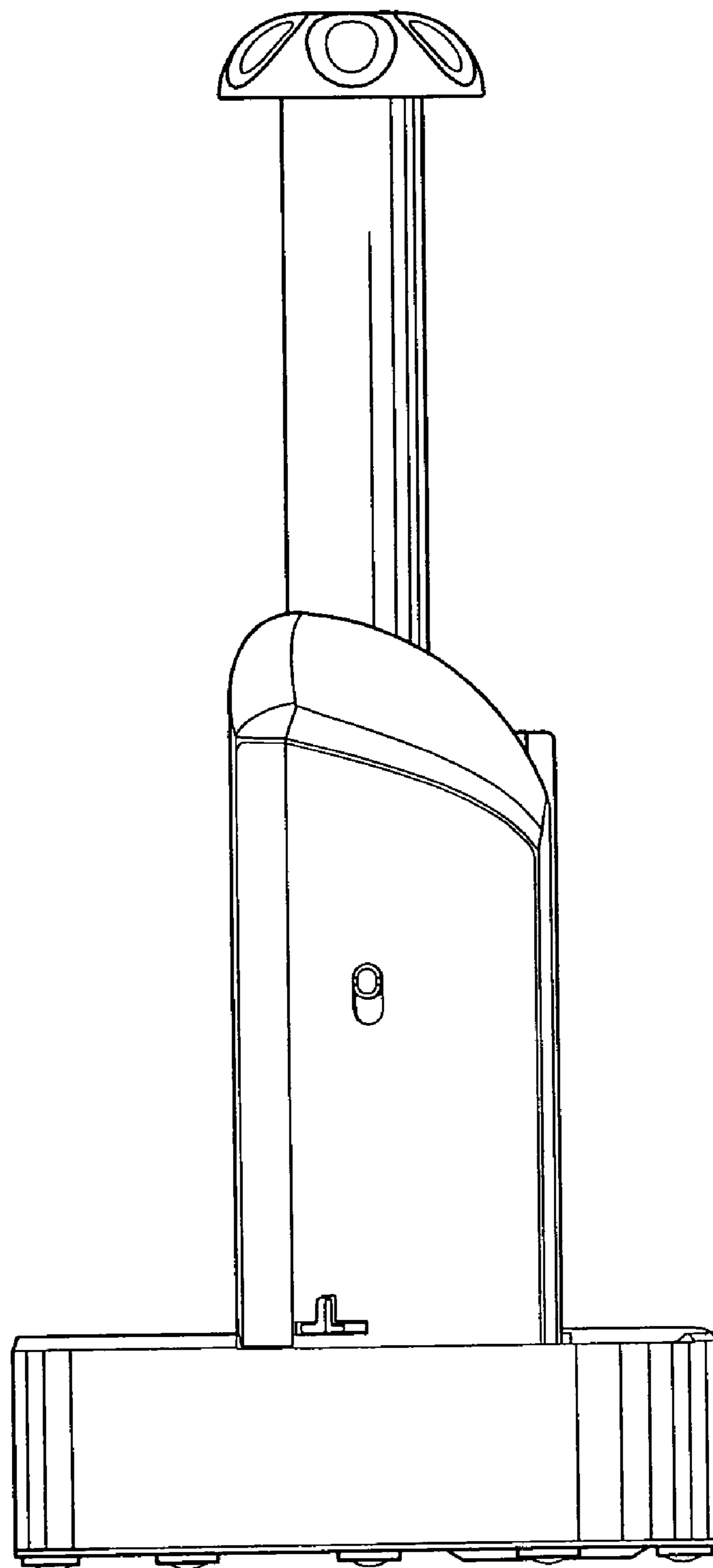


FIG. 4

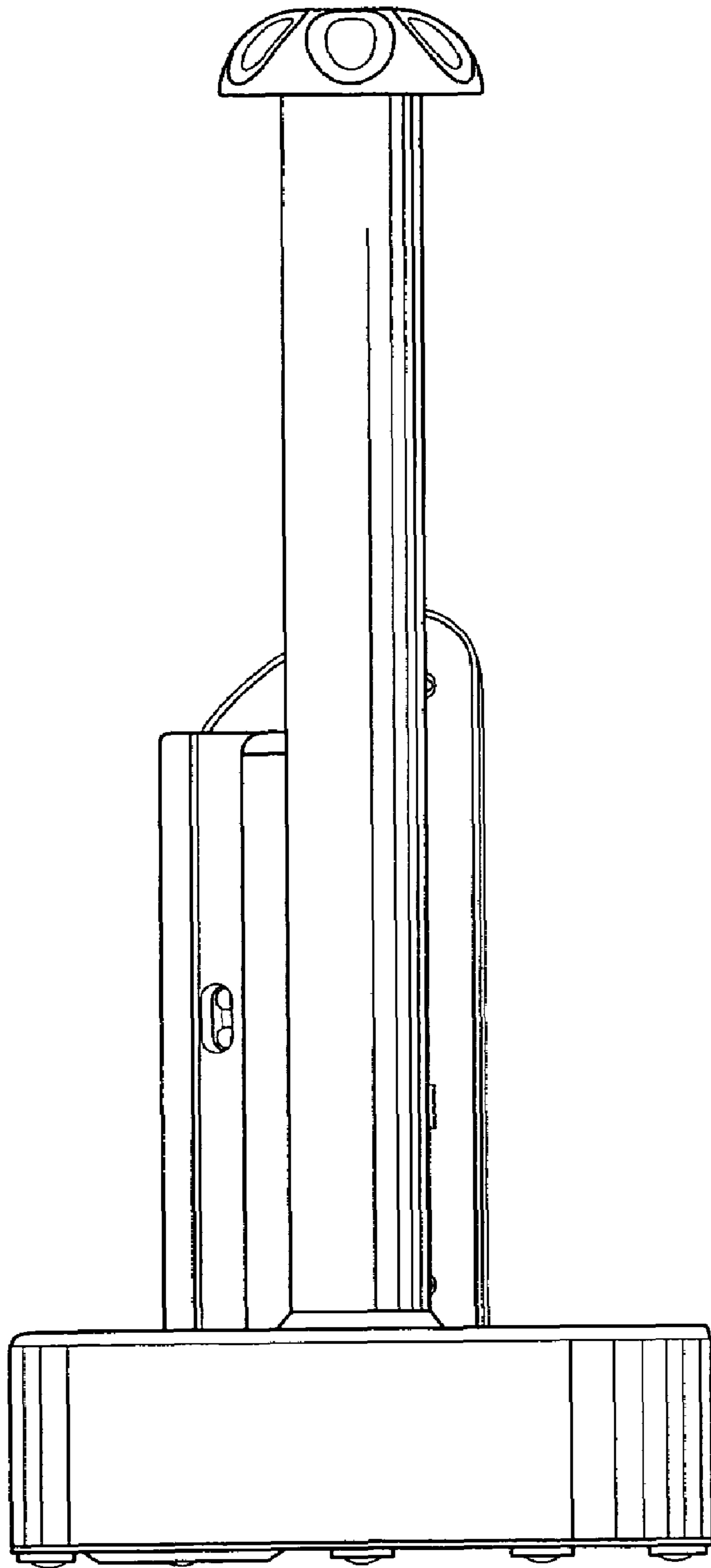


FIG. 5

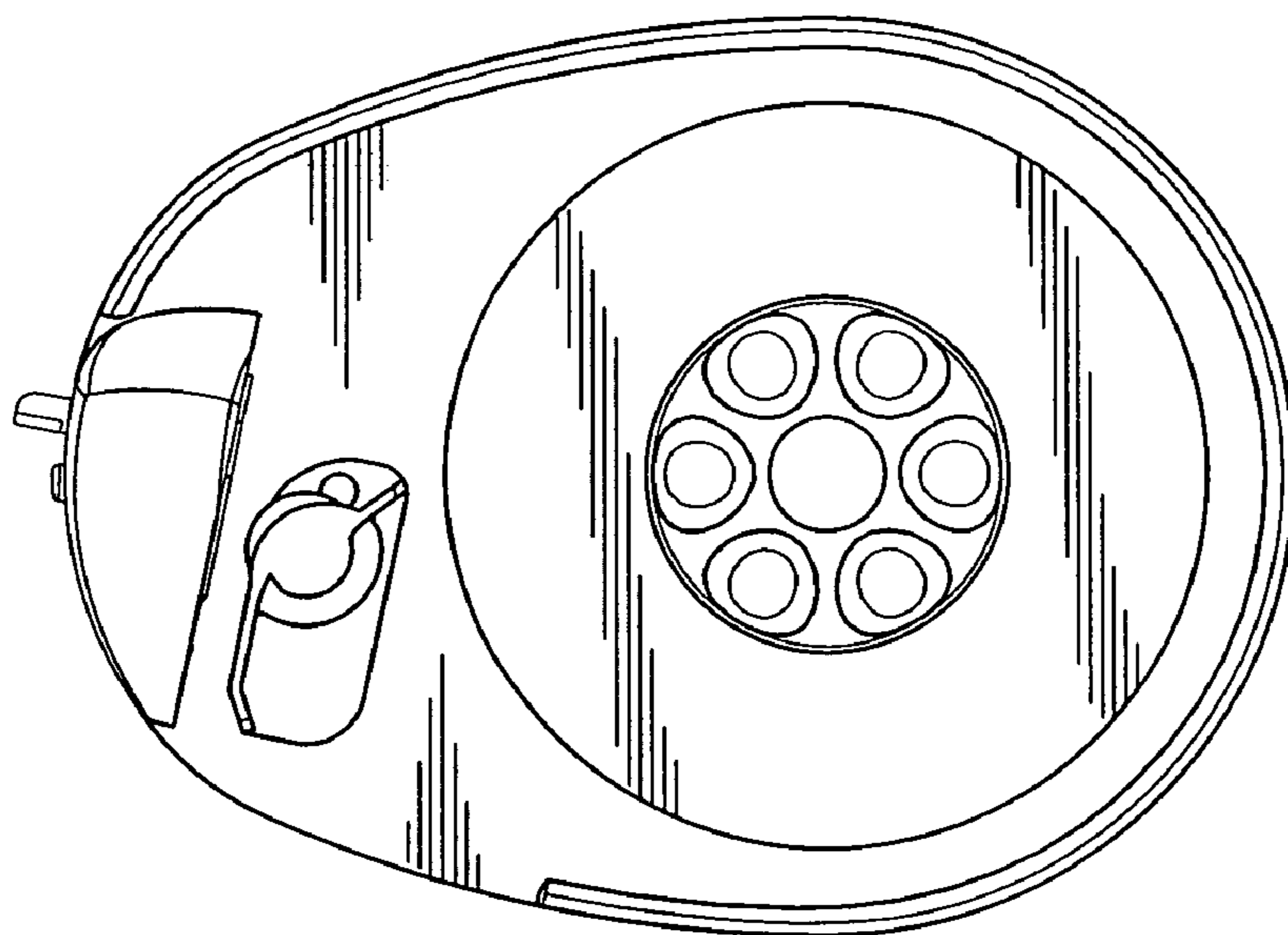


FIG. 6

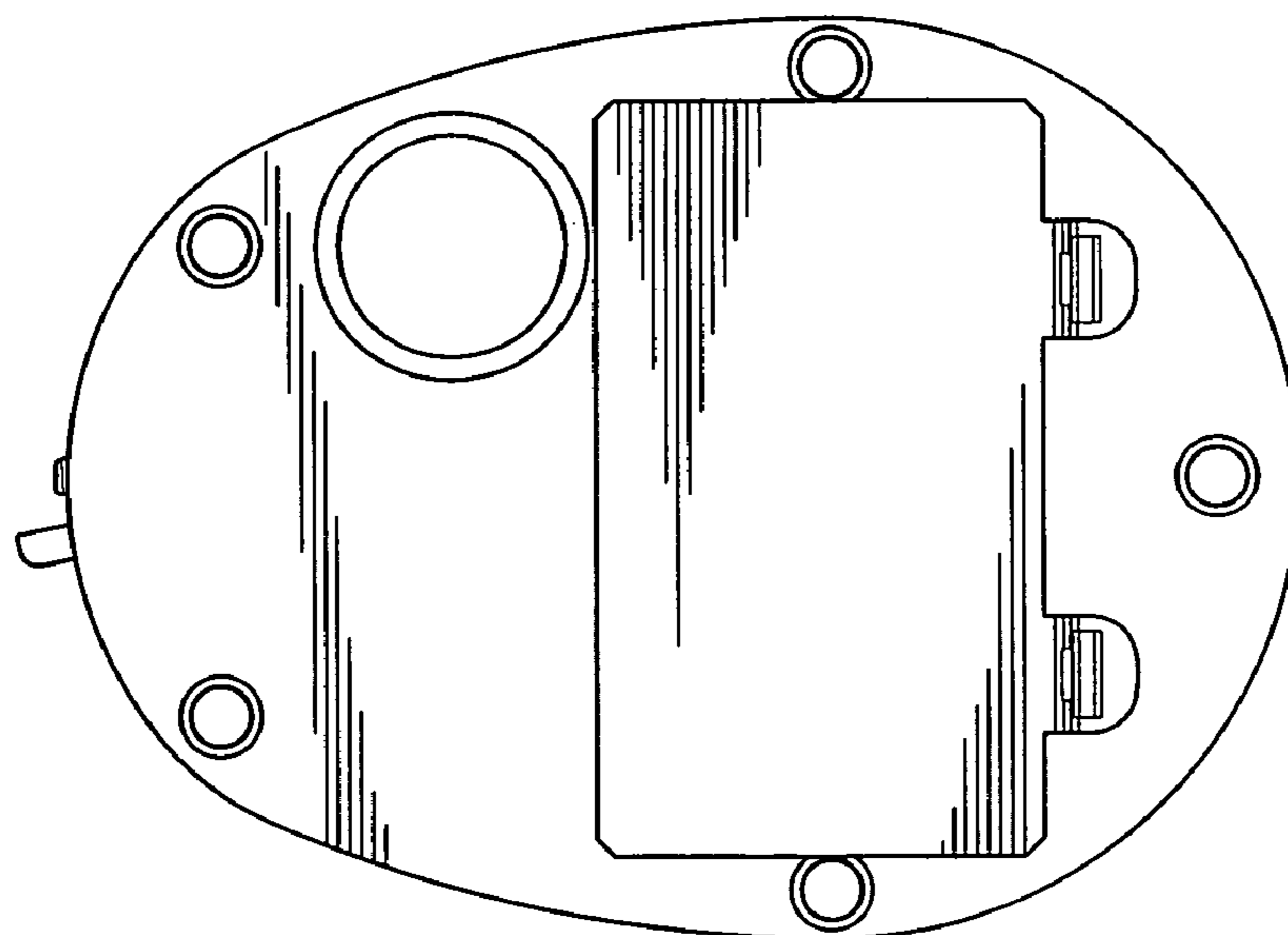


FIG. 7