

US00D562038S

(12) **United States Design Patent** (10) **Patent No.:** **US D562,038 S**
Schweikarth et al. (45) **Date of Patent:** **** *Feb. 19, 2008**

(54) **CHAIR ARMREST AND BACKREST INTERFACE**

(75) Inventors: **Derek Schweikarth**, Celestine, IN (US); **Mark Wahl**, Boonville, IN (US); **Gary Meredith, Sr.**, Dale, IN (US); **Meghan Smith**, Jasper, IN (US); **Paula Schmidt**, Jasper, IN (US); **Greg Daily**, Jasper, IN (US)

(73) Assignee: **Kimball International, Inc.**, Jasper, IN (US)

(*) Notice: This patent is subject to a terminal disclaimer.

(**) Term: **14 Years**

(21) Appl. No.: **29/279,587**

(22) Filed: **May 3, 2007**

(51) **LOC (8) Cl.** **06-01**

(52) **U.S. Cl.** **D6/500**

(58) **Field of Classification Search** D6/333-336, D6/339-341, 344, 381, 491, 330, 500-502, D6/354, 375, 349; 297/255; 5/12.1, 16.1, 5/16.2, 655.3

See application file for complete search history.

(56) **References Cited**

U.S. PATENT DOCUMENTS

| | | | |
|---------------|---------|---------------------|-------|
| D49,154 S | 6/1916 | Martin | |
| D93,232 S | 9/1934 | McChesney et al. | |
| D165,788 S | 1/1952 | Risom | |
| 2,652,573 A * | 9/1953 | Clerc | 5/9.1 |
| D214,041 S | 5/1969 | Shoemaker | |
| 3,638,997 A | 2/1972 | Shapiro et al. | |
| D254,880 S | 5/1980 | Durney | |
| D255,183 S | 6/1980 | Locher | |
| D282,418 S | 2/1986 | Lewis | |
| D333,925 S | 3/1993 | Ricchio, Jr. et al. | |
| D335,964 S | 6/1993 | Diaz-Azcuy | |
| D341,494 S | 11/1993 | Ohashi et al. | |
| D350,445 S | 9/1994 | Chororos et al. | |

| | | |
|------------|---------|--------------|
| D354,178 S | 1/1995 | Ochsner |
| D358,041 S | 5/1995 | Watts |
| D358,267 S | 5/1995 | Ginat |
| D358,503 S | 5/1995 | Ginat |
| D363,389 S | 10/1995 | Leib |
| D363,823 S | 11/1995 | Ricchio, Jr. |
| D370,789 S | 6/1996 | Groulx |
| D371,464 S | 7/1996 | Lewis |
| D372,596 S | 8/1996 | Reinhard |
| D373,257 S | 9/1996 | Hutton |
| D376,700 S | 12/1996 | Brush |
| D378,788 S | 4/1997 | Tihany |

(Continued)

OTHER PUBLICATIONS

Gunlocke, Product Information, Sojourn Lounge, at least as early as Jun. 5, 2006.

(Continued)

Primary Examiner—Sandra Snapp
(74) *Attorney, Agent, or Firm*—Baker & Daniels LLP

(57) **CLAIM**

The ornamental design for a chair armrest and backrest interface, as shown and described.

DESCRIPTION

FIG. 1 is a front perspective view of a chair which includes an armrest and backrest interface according to our new design;

FIG. 2 is front perspective view thereof;

FIG. 3 is a rear perspective view thereof;

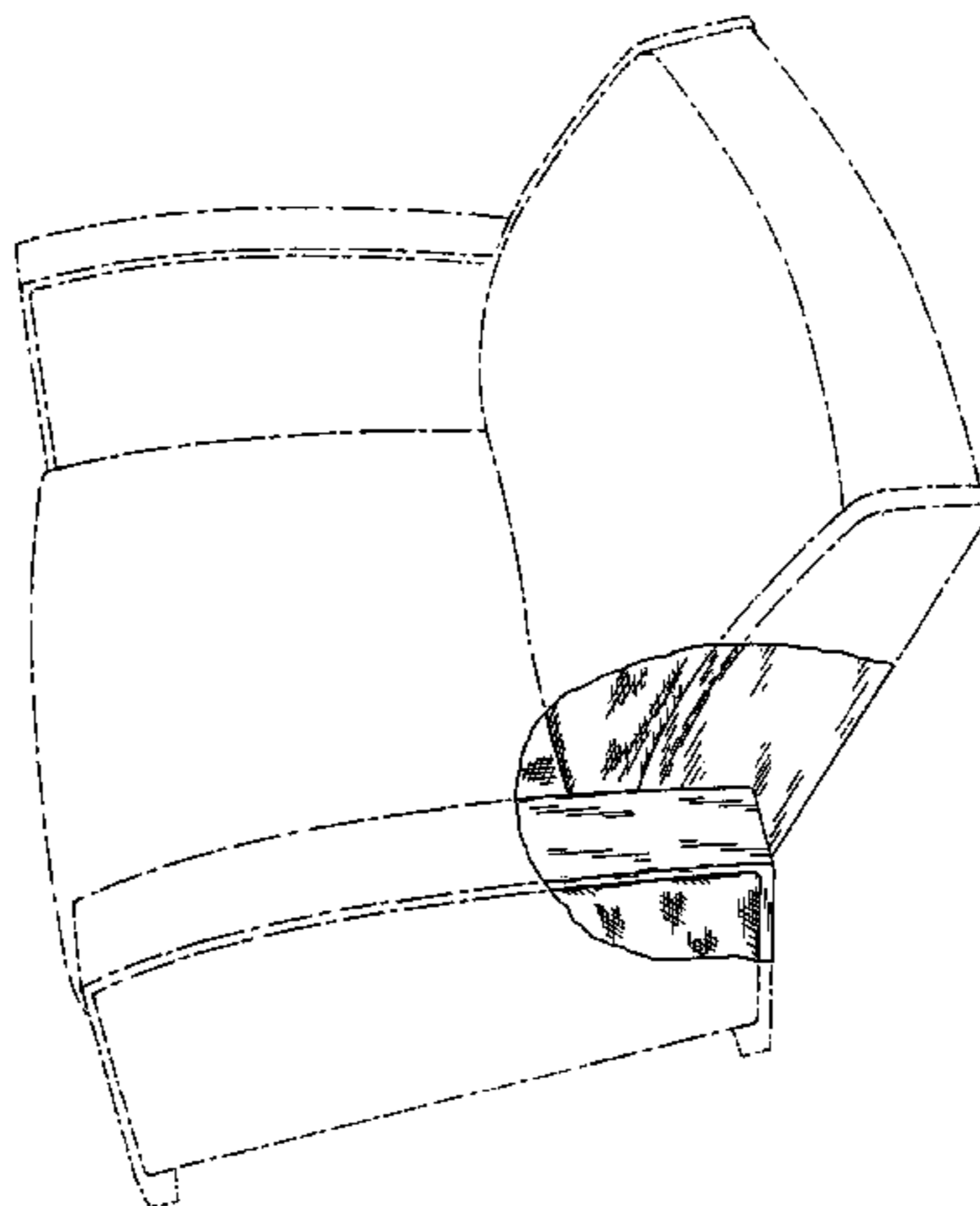
FIG. 4 is a side view thereof;

FIG. 5 is a top view thereof; and,

FIG. 6 is a rear view thereof.

Features shown in dashed lines form no part of the claimed design.

1 Claim, 4 Drawing Sheets



U.S. PATENT DOCUMENTS

| | | | | | | |
|----------|---|---|---------|--------------------|-------|--------|
| D379,269 | S | * | 5/1997 | Hutton | | D6/334 |
| D379,408 | S | | 5/1997 | Feldberg | | |
| D391,412 | S | | 3/1998 | James et al. | | |
| D393,157 | S | | 4/1998 | Goodworth et al. | | |
| D396,365 | S | | 7/1998 | Lizell | | |
| D403,521 | S | | 1/1999 | Wilson | | |
| D405,286 | S | | 2/1999 | James et al. | | |
| D405,618 | S | | 2/1999 | Reutepohler et al. | | |
| D409,408 | S | | 5/1999 | James et al. | | |
| D415,360 | S | | 10/1999 | Lewis | | |
| D416,395 | S | * | 11/1999 | George et al. | | D6/367 |
| D417,970 | S | | 12/1999 | Duffy et al. | | |
| D422,422 | S | * | 4/2000 | Black | | D6/369 |
| D427,793 | S | | 7/2000 | Groulx et al. | | |
| D430,417 | S | | 9/2000 | George | | |
| D431,383 | S | * | 10/2000 | Frinier | | D6/369 |
| D432,326 | S | | 10/2000 | Duffy et al. | | |
| D433,579 | S | | 11/2000 | Kane | | |
| D437,139 | S | | 2/2001 | Beck | | |
| D445,579 | S | | 7/2001 | Olson | | |
| D446,396 | S | | 8/2001 | Phillips et al. | | |
| D446,401 | S | | 8/2001 | Olson | | |
| D446,958 | S | | 8/2001 | Olson | | |
| D447,347 | S | * | 9/2001 | Schultz | | D6/334 |
| D451,688 | S | * | 12/2001 | Cramer | | D6/334 |
| D454,715 | S | | 3/2002 | Olson | | |
| D457,342 | S | | 5/2002 | Muller | | |
| D457,760 | S | | 5/2002 | De Lucchi et al. | | |
| D462,533 | S | * | 9/2002 | Popham et al. | | D6/334 |
| D464,816 | S | * | 10/2002 | Leib et al. | | D6/335 |
| D465,662 | S | | 11/2002 | Hutton | | |
| D471,728 | S | | 3/2003 | Tseng | | |
| D476,822 | S | * | 7/2003 | Schweikarth | | D6/381 |
| D477,721 | S | | 7/2003 | Conner | | |
| D484,709 | S | | 1/2004 | Cronk et al. | | |
| D486,652 | S | * | 2/2004 | Nemeth | | D6/334 |
| D491,756 | S | * | 6/2004 | Nemeth | | D6/492 |
| D496,535 | S | | 9/2004 | Goodworth | | |
| D502,818 | S | * | 3/2005 | Thompson | | D6/373 |
| D504,578 | S | | 5/2005 | Moser | | |
| D505,276 | S | | 5/2005 | Cronk et al. | | |
| D506,323 | S | * | 6/2005 | White, III | | D6/334 |
| D506,334 | S | | 6/2005 | Chu | | |
| D511,415 | S | * | 11/2005 | Pesso | | D6/334 |
| D512,229 | S | | 12/2005 | Reza-Hadden | | |
| D518,318 | S | | 4/2006 | Koepke | | |
| D518,654 | S | * | 4/2006 | Pesso | | D6/334 |

OTHER PUBLICATIONS

HON, Product Information, Park Avenue PAS03 Sofa, at least as early as Jun. 5, 2006.

OFS, Product Information, Waterfall Lounge, at least as early as Jun. 5, 2006.

OFS, Product Information, Cadiz Lounge, at least as early as Jun. 5, 2006.

Turnstone Furniture, Product Information, Jenny Lounge, at least as early as Jun. 5, 2006.

OFS, Product Information, Willow Lounge, at least as early as Jun. 5, 2006.

OFS, Product Information, Senna Lounge, at least as early as Jun. 5, 2006.

Haworth Product Information, Tempo chair, at least as early as Jun. 5, 2006.

Haworth Product Information, Tally chair, at least as early as Jun. 5, 2006.

KI Product Information, Briar Bariatric chair, at least as early as Jun. 5, 2006.

KI Product Information, Flex Bariatric chair, at least as early as Jun. 5, 2006.

KI Product Information, Perth Bariatric chair, at least as early as Jun. 5, 2006.

KI Product Information, Perth Patient chair, at least as early as Jun. 5, 2006.

KI Product Information, Flex Multi-seating chair, at least as early as Jun. 5, 2006.

KI Product Information, Briar Multi-seating chair, at least as early as Jun. 5, 2006.

Global Product Information, Savoir chair, at least as early as Jun. 5, 2006.

Global Product Information, Avenue chair, at least as early as Jun. 5, 2006.

Global Product Information, Monogram chair, at least as early as Jun. 5, 2006.

OFS Product Information, Paragon chair, at least as early as Jun. 5, 2006.

OFS Product Information, Brio chair, at least as early as Jun. 5, 2006.

OFS Product Information, Aria chair, at least as early as Jun. 5, 2006.

HON Product Information, Park Avenue 2120 Series chair, at least as early as Jun. 5, 2006.

Gunlocke Product Information, Molt chair, at least as early as Jun. 5, 2006.

Gunlocke Product Information, Valor chair, at least as early as Jun. 5, 2006.

* cited by examiner

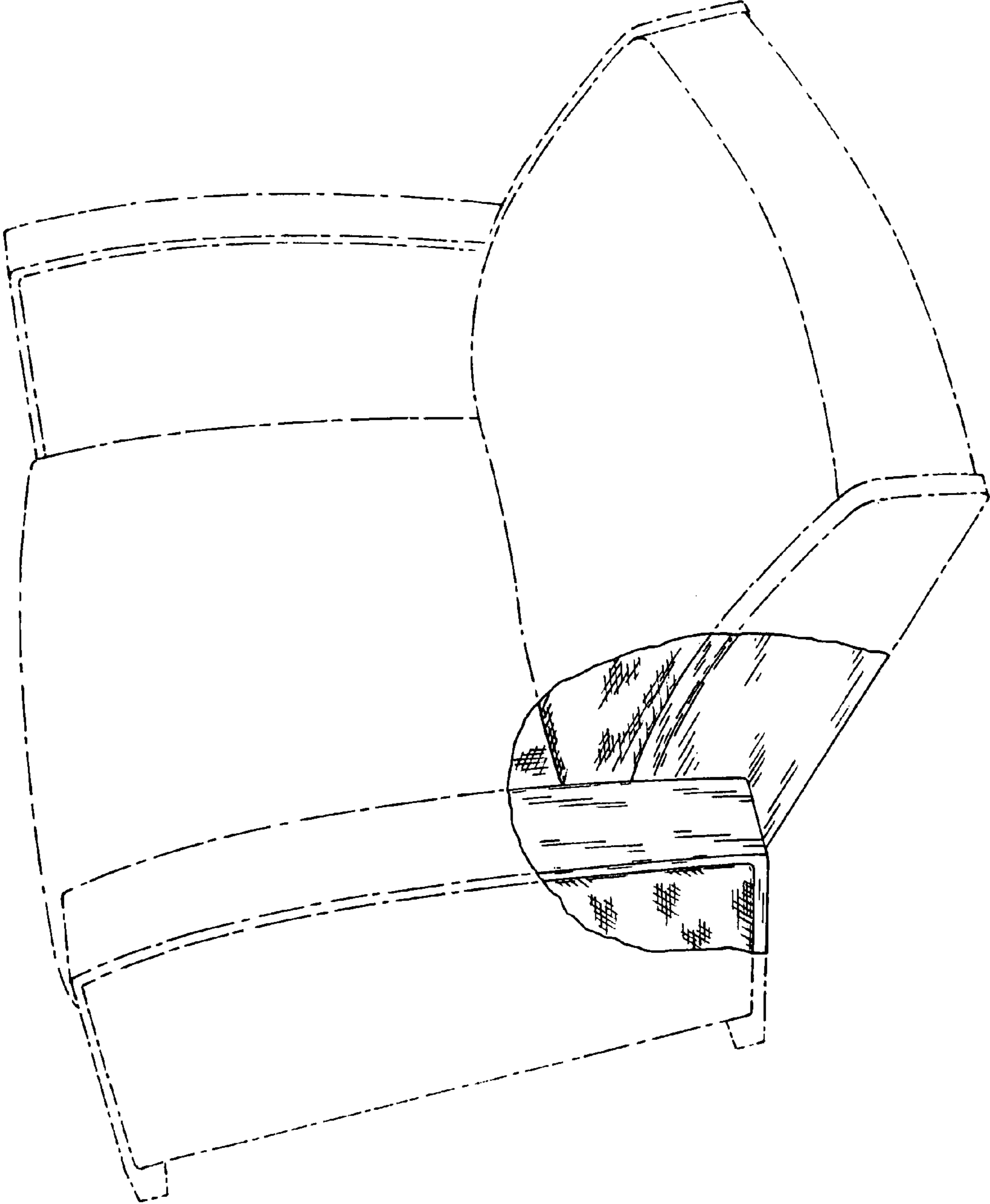


FIG. 1

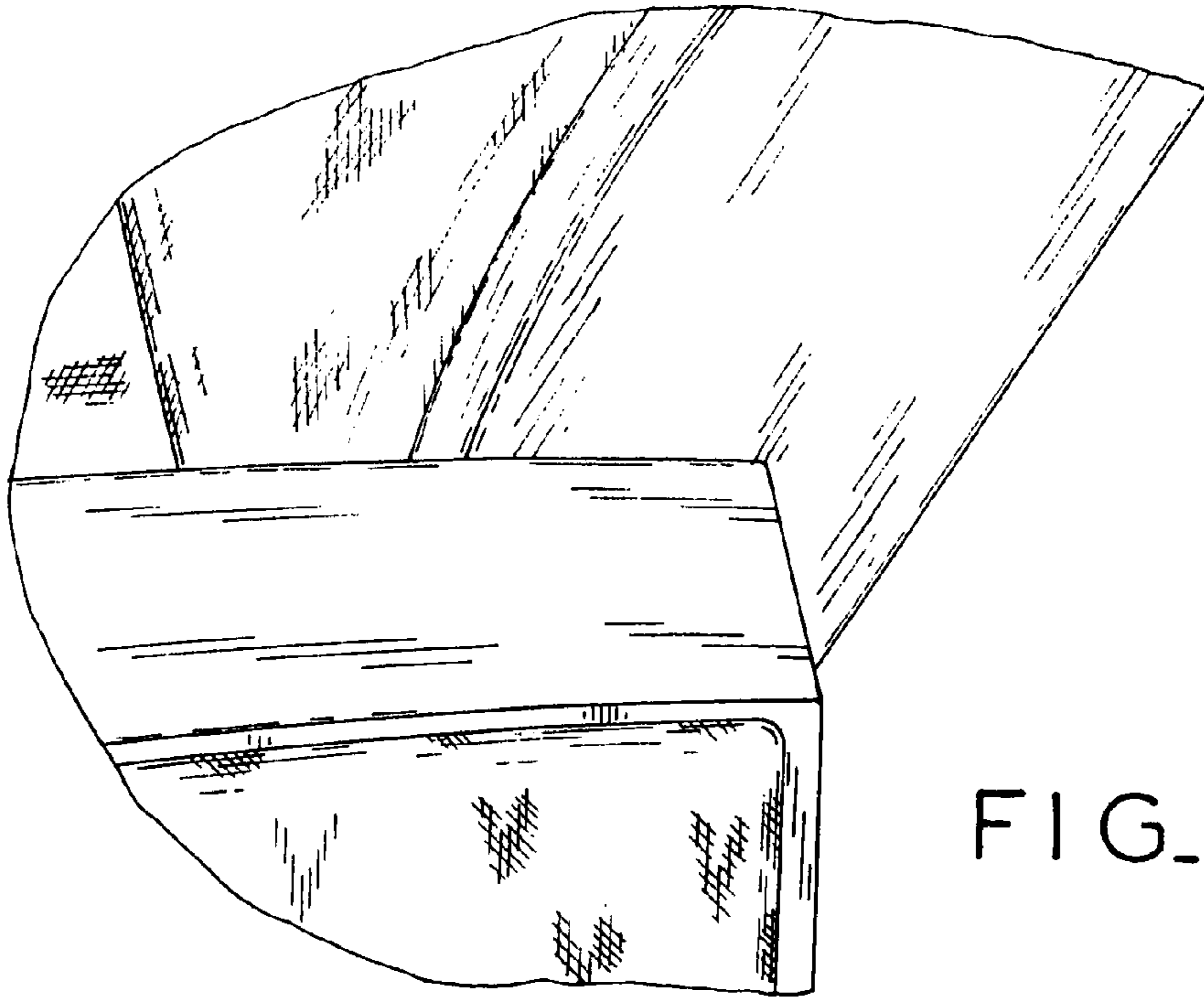


FIG. 2

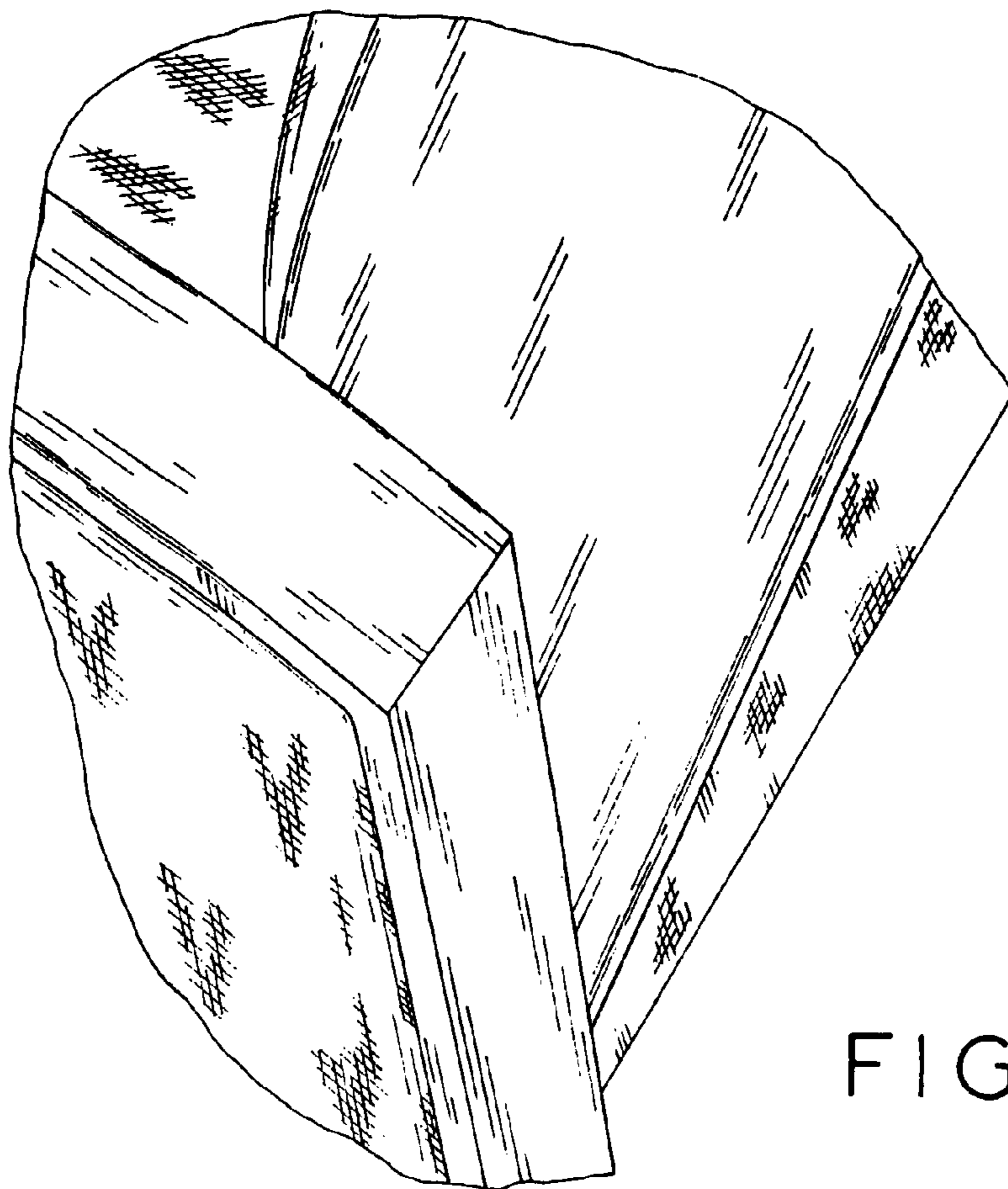


FIG. 3

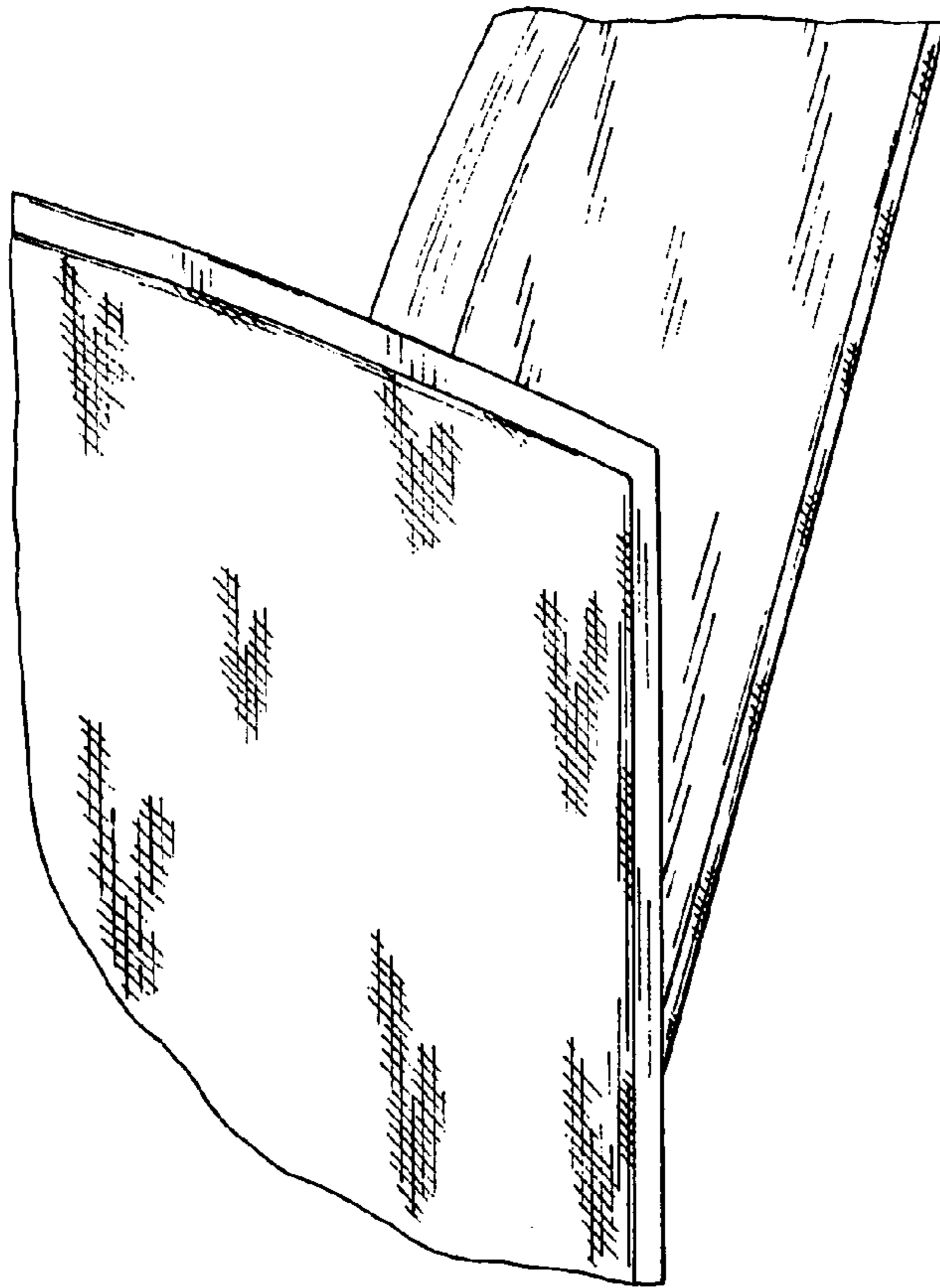


FIG. 4

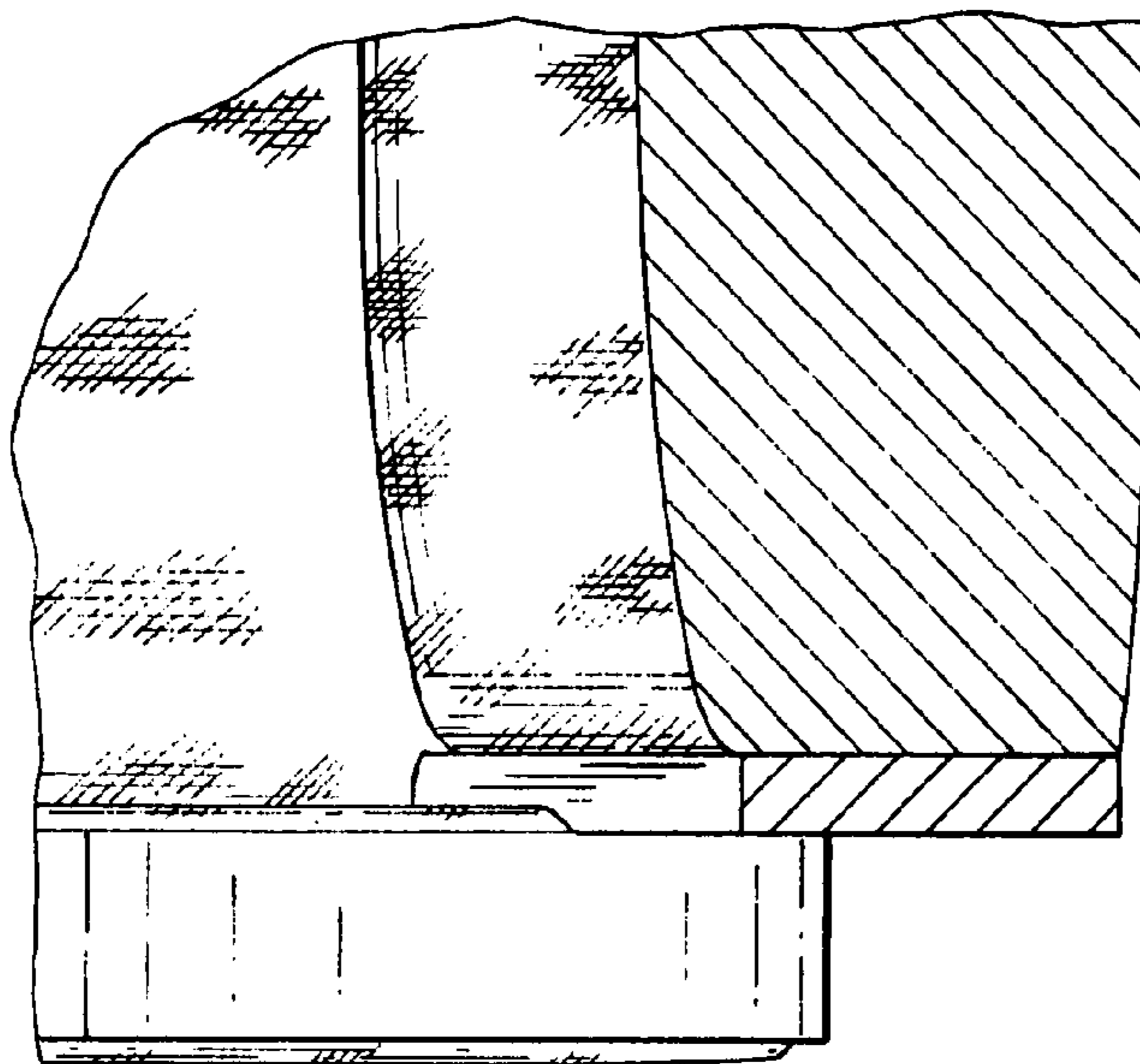


FIG. 5

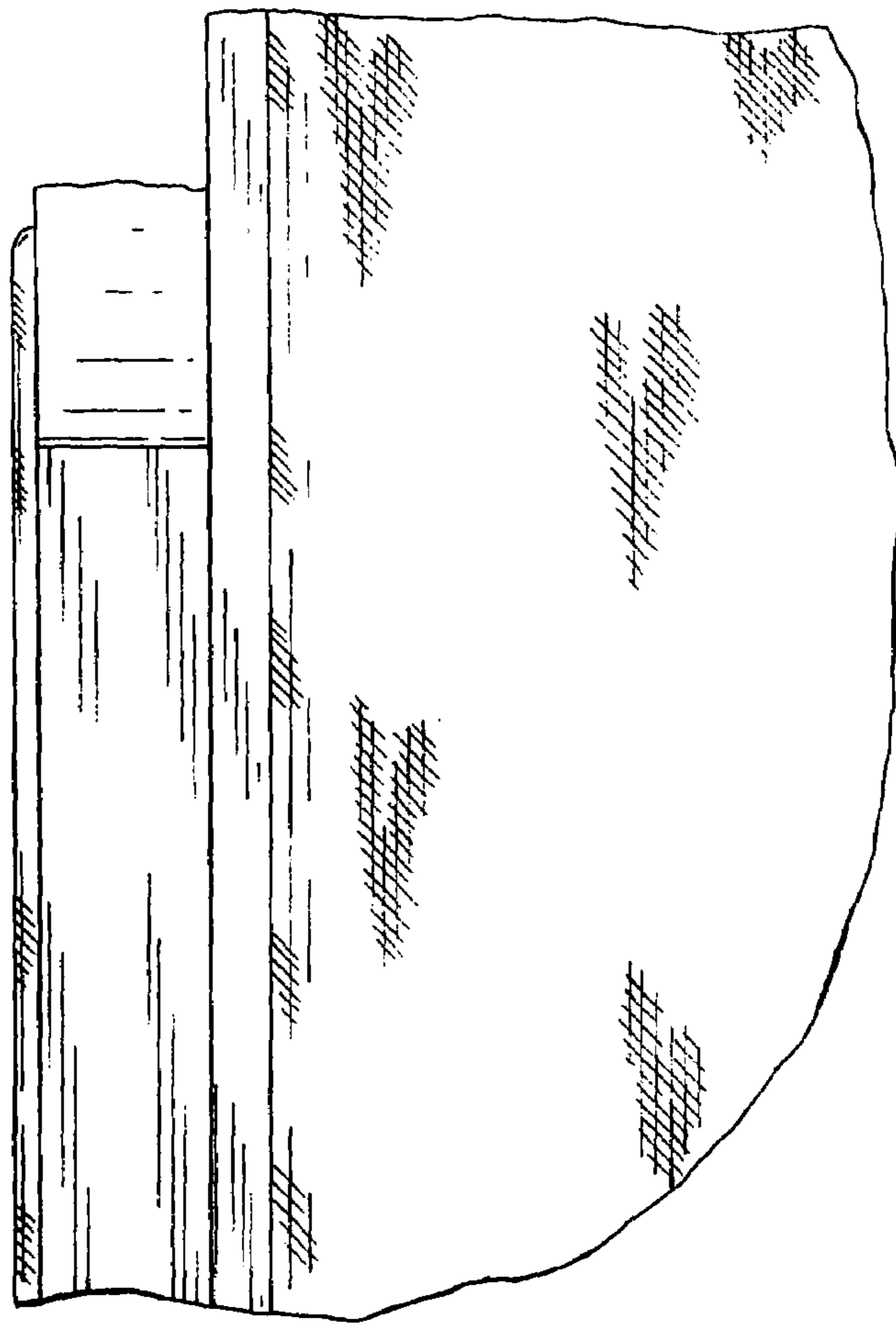


FIG. 6