



US00D562037S

(12) **United States Design Patent**
Kaloustian

(10) **Patent No.:** **US D562,037 S**

(45) **Date of Patent:** **** Feb. 19, 2008**

(54) **SEAT BASE**

(75) Inventor: **John Kaloustian**, 830 W. Main St.,
Northville, MI (US) 48167

(73) Assignee: **John Kaloustian**, Northville, MI (US)

(**) Term: **14 Years**

(21) Appl. No.: **29/276,664**

(22) Filed: **Feb. 1, 2007**

(51) **LOC (8) Cl.** **06-06**

(52) **U.S. Cl.** **D6/498**

(58) **Field of Classification Search** D6/334-336,
D6/364, 365, 366, 367, 498, 500-502; 248/188.7;
297/344.18, 358, 411.2, 411.28, 463.1
See application file for complete search history.

(56) **References Cited**

U.S. PATENT DOCUMENTS

| | | | | |
|--------------|---------|--------------------|-------|--------|
| D274,769 S * | 7/1984 | Klier | | D6/366 |
| D306,531 S * | 3/1990 | Snodgrass | | D6/366 |
| D321,299 S * | 11/1991 | Caruso et al. | | D6/498 |
| D405,618 S * | 2/1999 | Reutepohler et al. | | D6/366 |
| D405,970 S * | 2/1999 | Kaczmarek | | D6/366 |
| D411,692 S * | 6/1999 | Ogg | | D6/366 |
| D414,950 S * | 10/1999 | James | | D6/366 |
| D414,951 S * | 10/1999 | Breen | | D6/366 |
| D417,100 S * | 11/1999 | Lee | | D6/498 |

| | | | | |
|--------------|---------|---------------|-------|--------|
| D437,702 S * | 2/2001 | Koepke et al. | | D6/366 |
| D448,583 S * | 10/2001 | Tsai | | D6/366 |
| D475,859 S * | 6/2003 | Kryger | | D6/366 |
| D494,786 S * | 8/2004 | Cheng | | D6/498 |

* cited by examiner

Primary Examiner—Mimosa De

(74) *Attorney, Agent, or Firm*—John S. Artz; Dickinson
Wright PLLC

(57) **CLAIM**

The ornamental design for a seat base, as shown and
described.

DESCRIPTION

FIG. 1 is a perspective view of a seat base showing my new
design;

FIG. 2 is a front elevational view thereof;

FIG. 3 is a top plan view thereof;

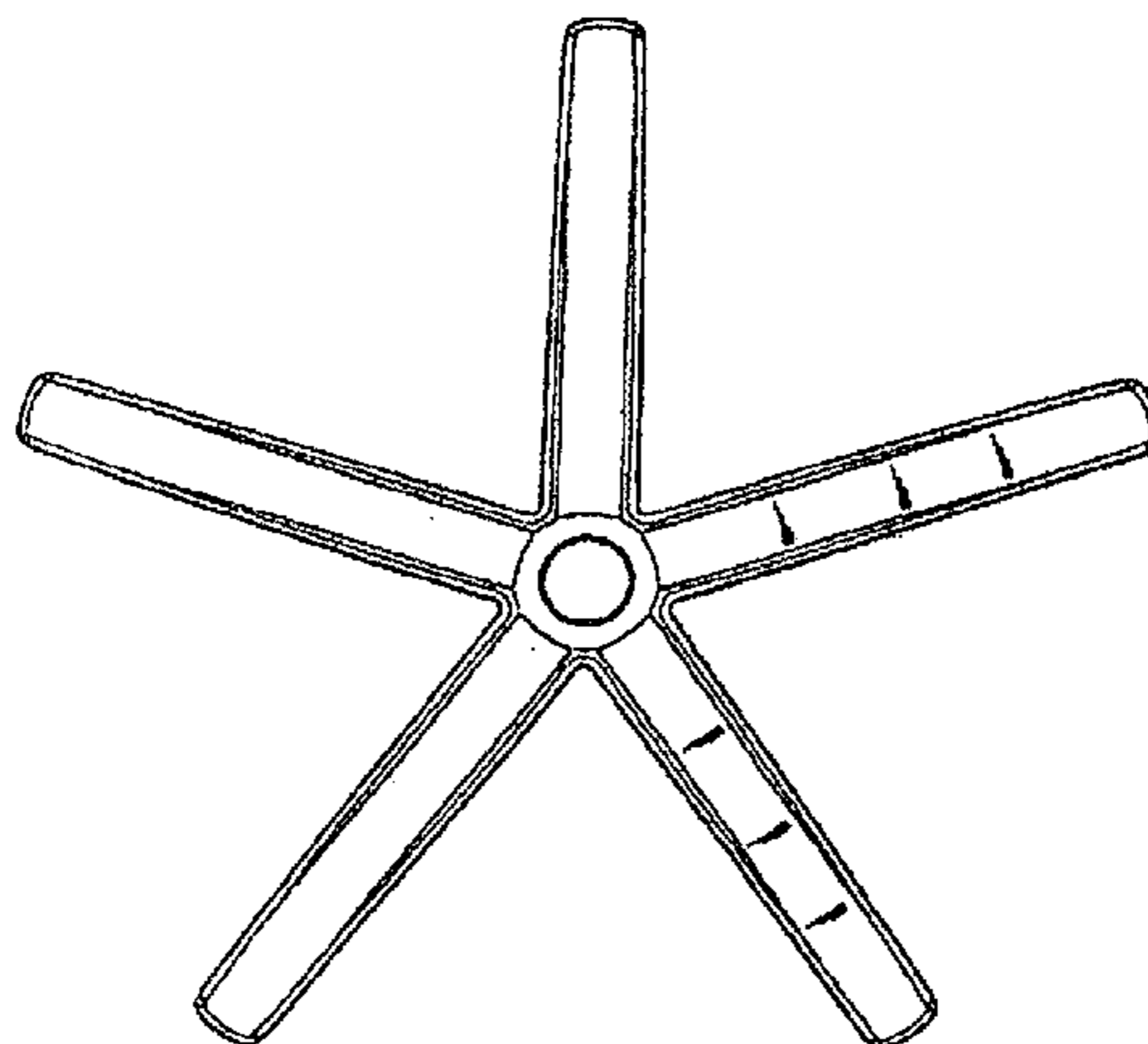
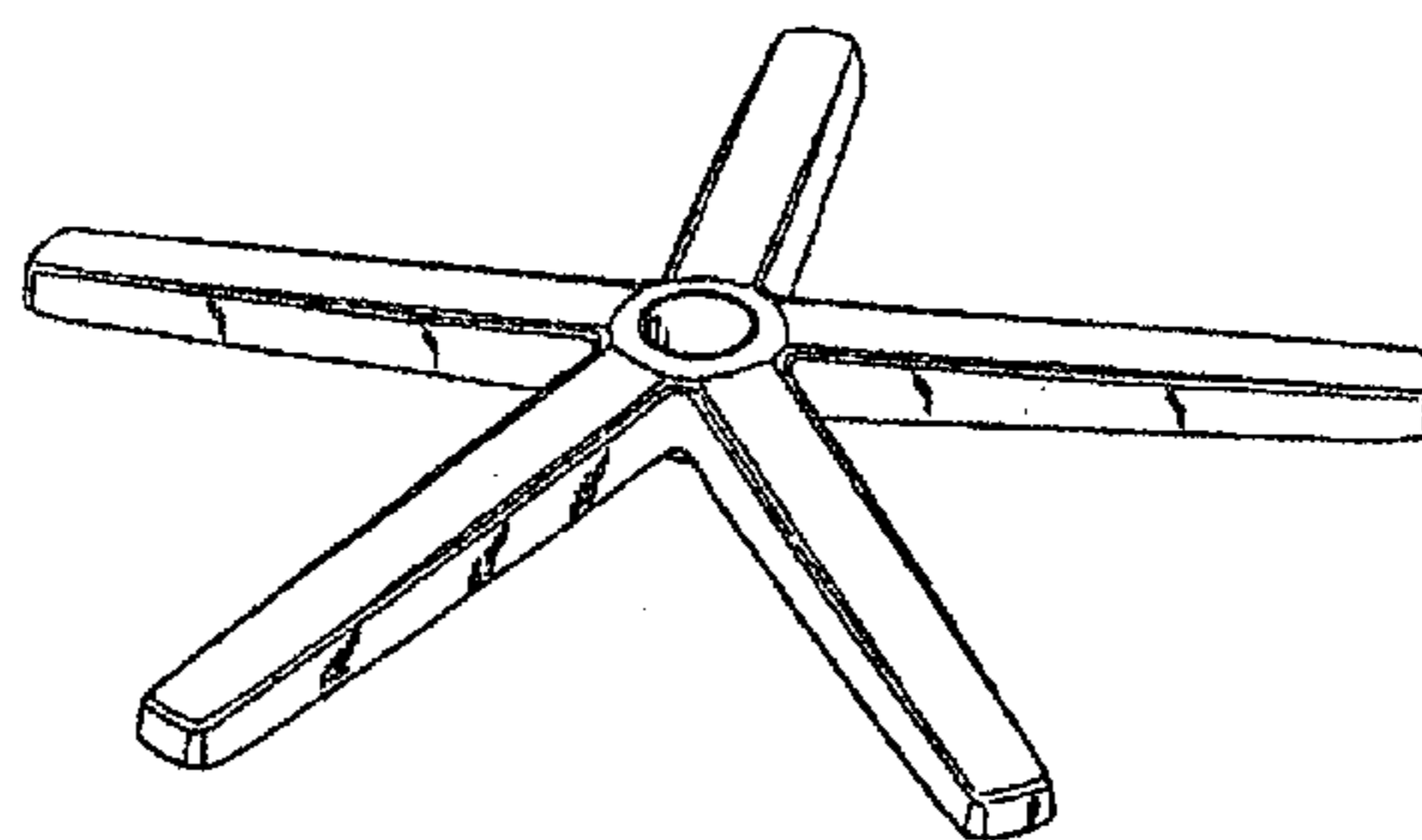
FIG. 4 is a rear elevational view thereof;

FIG. 5 is a side view thereof; and,

FIG. 6 is another perspective view shown with environmen-
tal structure.

The broken lines showing of a seat and wheels in FIG. 6 are
for illustrative purposes only and form no part of the claimed
design.

1 Claim, 2 Drawing Sheets



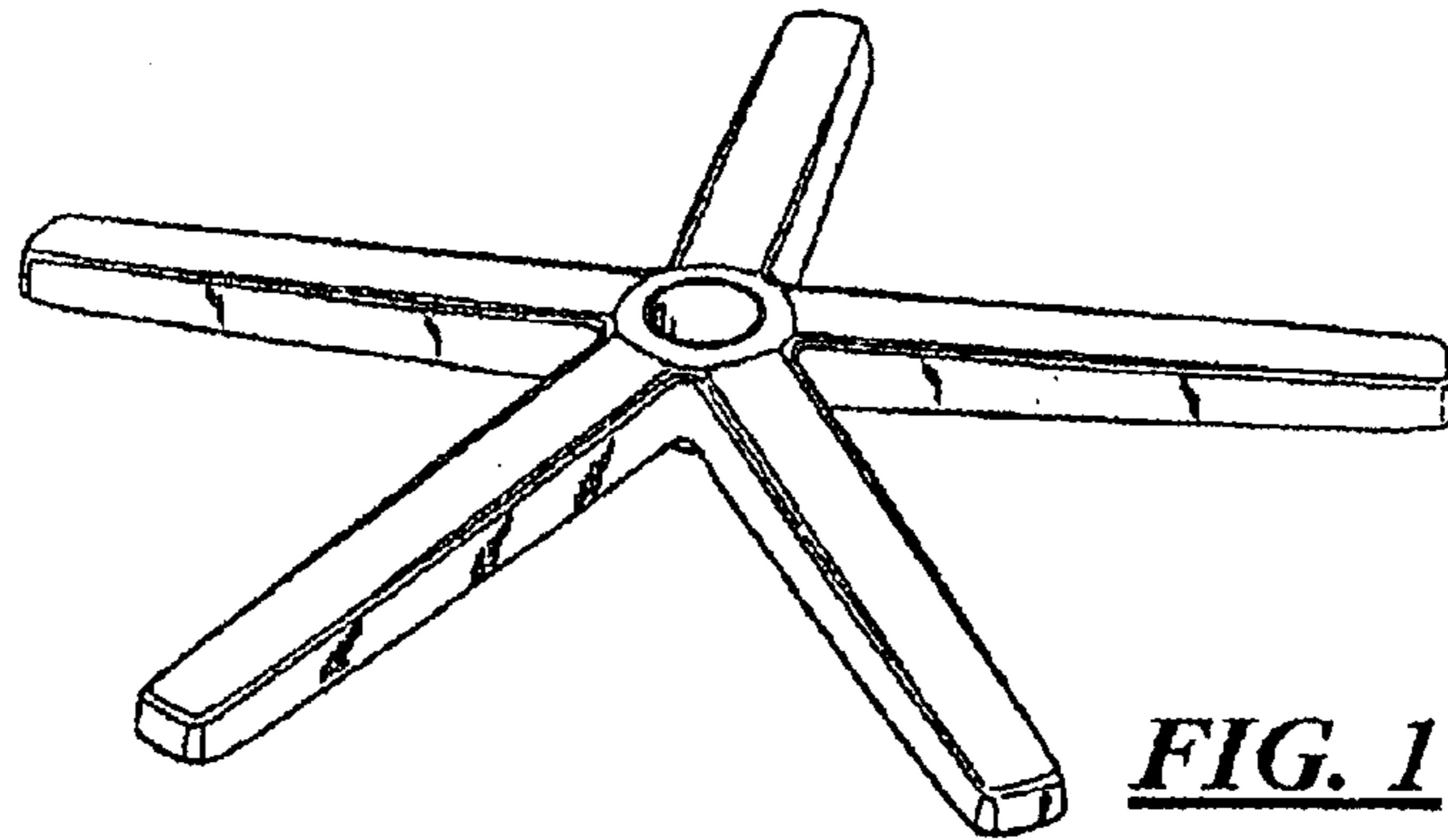


FIG. 1

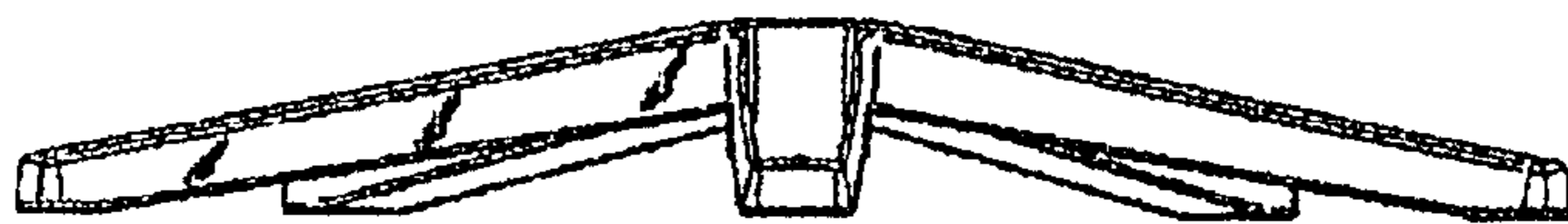


FIG. 2

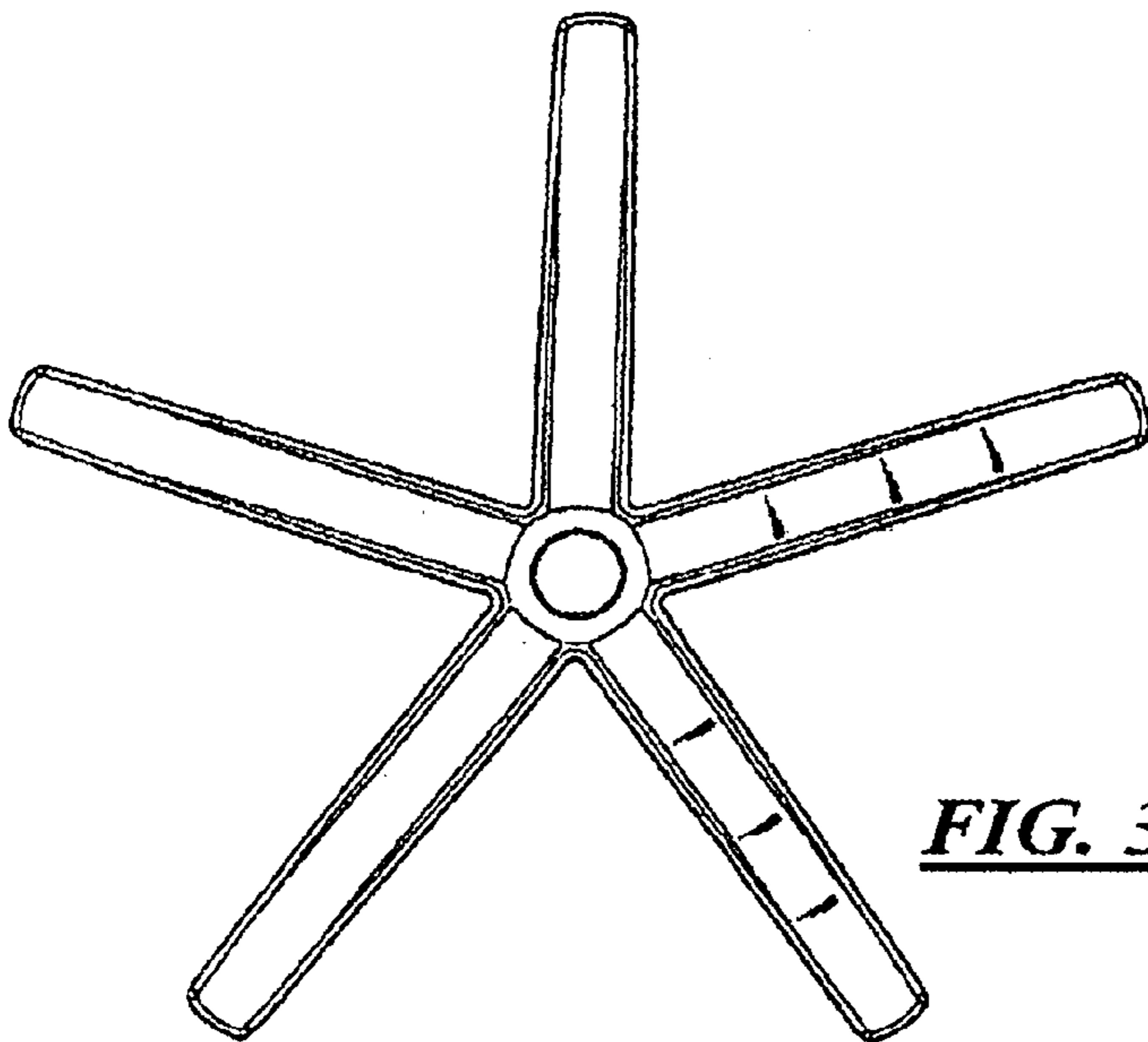


FIG. 3

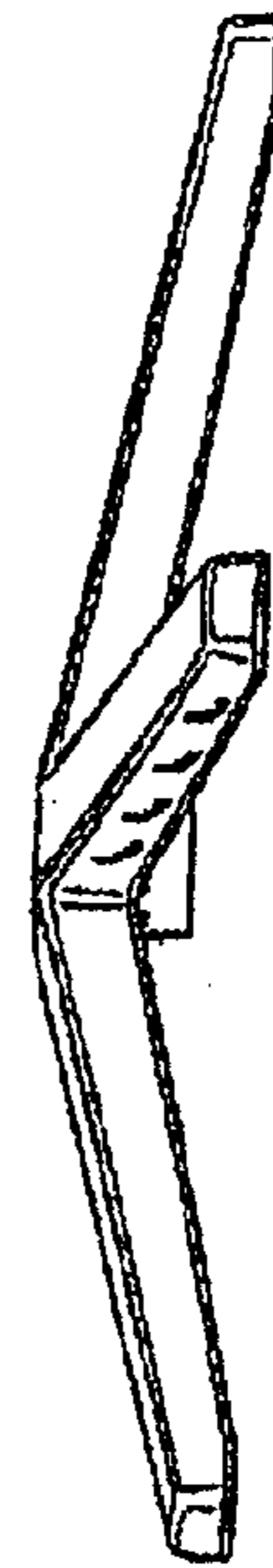


FIG. 5



FIG. 4

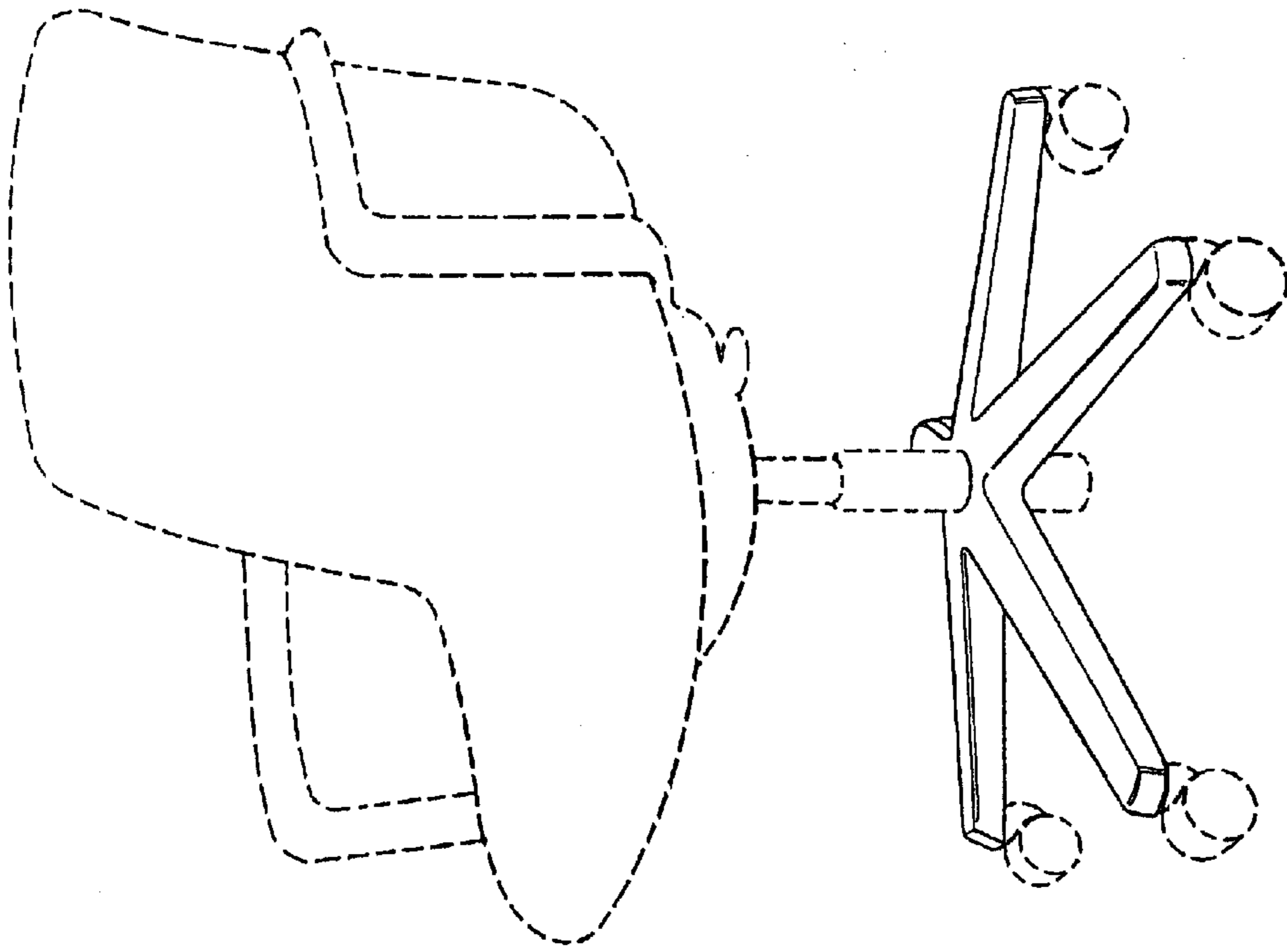


FIG. 6