



US00D562035S

(12) **United States Design Patent**
Pappas

(10) **Patent No.:** **US D562,035 S**

(45) **Date of Patent:** **** Feb. 19, 2008**

(54) **BACKLESS BENCH WITH ELLIPTICAL
FRAME OPENING**

(76) Inventor: **Mark Pappas**, P.O. Box 2458, Rancho
Mirage, CA (US) 92270

(**) Term: **14 Years**

(21) Appl. No.: **29/273,911**

(22) Filed: **Mar. 16, 2007**

(51) **LOC (8) Cl.** **06-01**

(52) **U.S. Cl.** **D6/495**

(58) **Field of Classification Search** D6/334-338,
D6/349, 355, 363, 364, 369-370, 381, 491,
D6/500-502, 509, 511, 601, 495; 297/16.1-16.2,
297/116, 135, 154, 187, 158.3, 158.4, 158.5,
297/184.1, 232, 244, 411.37, 440.1, 445.1;
5/12.1, 655.3

See application file for complete search history.

(56) **References Cited**

U.S. PATENT DOCUMENTS

D369,914 S *	5/1996	Kirn et al.	D6/355
D384,512 S *	10/1997	Skalka	D6/370
D419,341 S *	1/2000	Chipman	D6/492
D451,296 S *	12/2001	Stewart	D6/370
D453,424 S *	2/2002	Stewart	D6/349
D455,919 S *	4/2002	Stewart	D6/499
D457,738 S *	5/2002	Slear et al.	D6/355
D498,079 S *	11/2004	Messier	D6/381
D512,229 S *	12/2005	Reza-Hadden	D6/355
D523,263 S *	6/2006	Skalka	D6/495
D525,809 S *	8/2006	Hughes	D6/492
D526,805 S *	8/2006	Skalka	D6/381

* cited by examiner

Primary Examiner—Sandra Snapp

(74) *Attorney, Agent, or Firm*—Thomas M. Freiburger

(57) **CLAIM**

The ornamental design for a backless bench with elliptical frame opening, substantially as shown and described.

DESCRIPTION

FIG. 1 is a frontal perspective view showing a backless bench with elliptical frame opening according to my new design, the dashed lines indicating seat structure not forming a part of my design;

FIG. 2 is a top plan view;

FIG. 3 is a right side elevation view thereof, the left side elevation being identical;

FIG. 4 is a front elevation view thereof, the rear elevation being identical;

FIG. 5 is a bottom plan view thereof;

FIG. 6 is a perspective view showing a second embodiment of a backless bench with elliptical frame opening according to my new design, the dashed lines indicating seat structure not forming a part of my design;

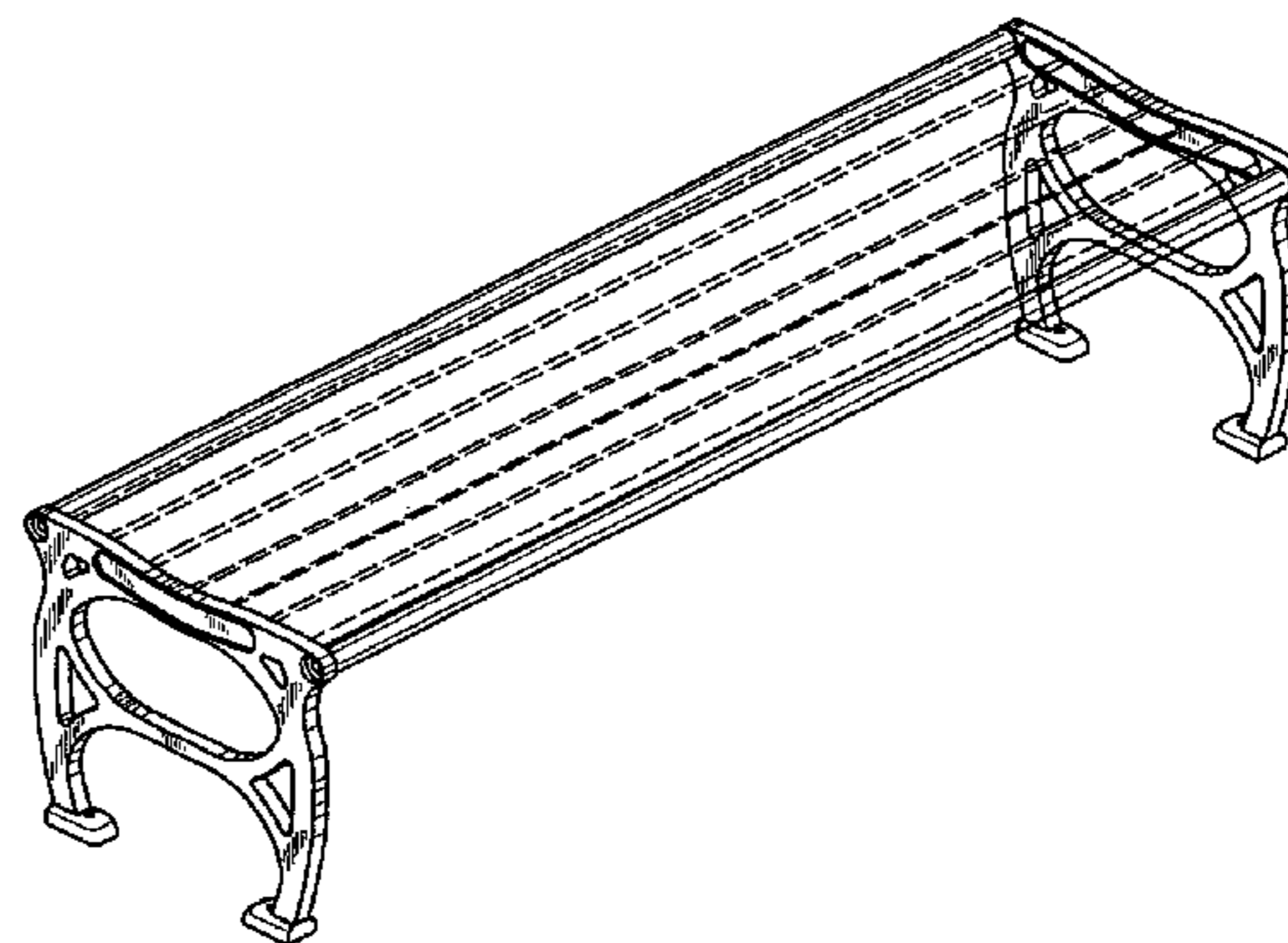
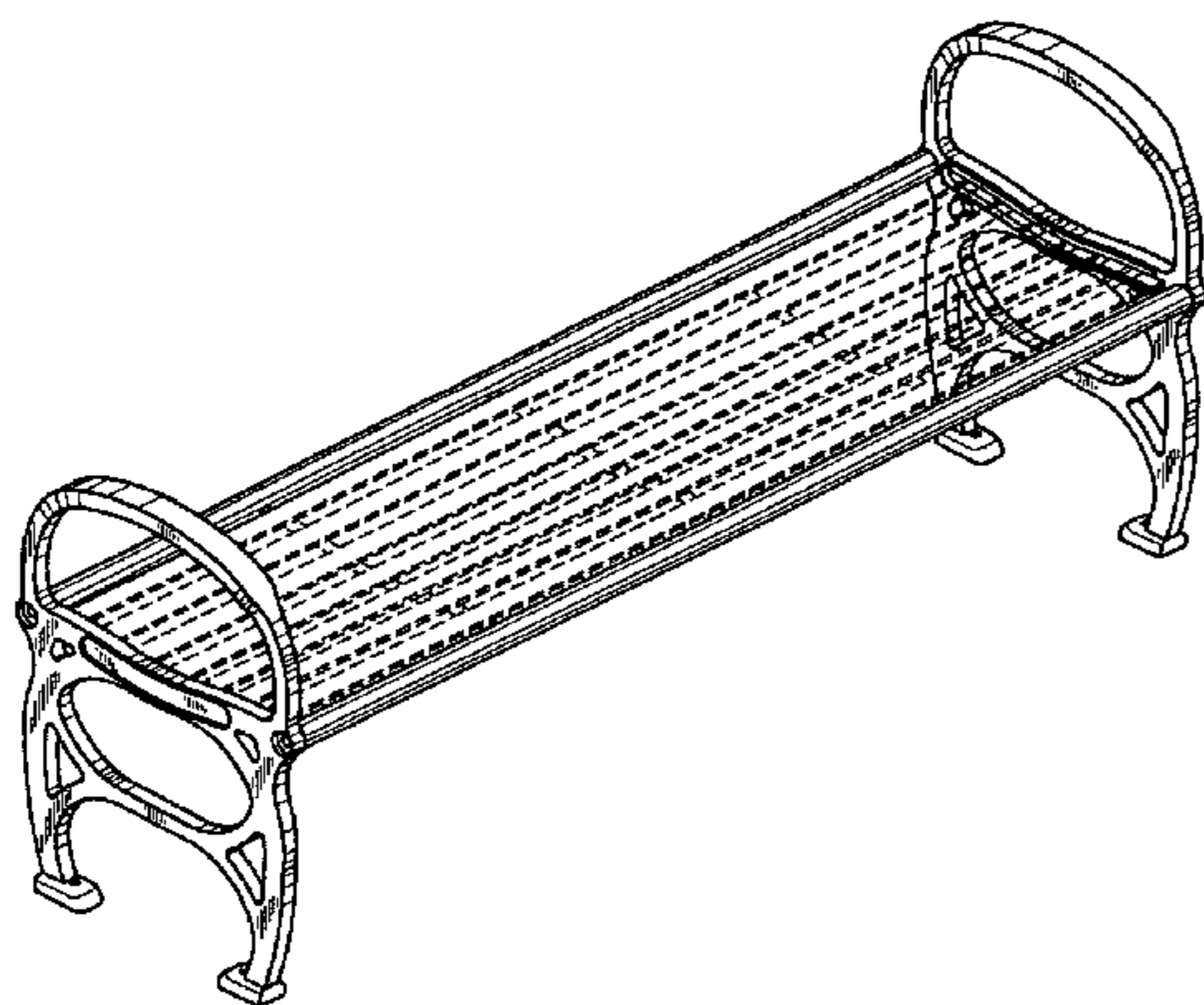
FIG. 7 is a top plan view thereof;

FIG. 8 is a right side elevation view thereof, the left side elevation being identical;

FIG. 9 is a front elevation view thereof, the rear elevation being identical; and,

FIG. 10 is a bottom plan view thereof.

1 Claim, 2 Drawing Sheets



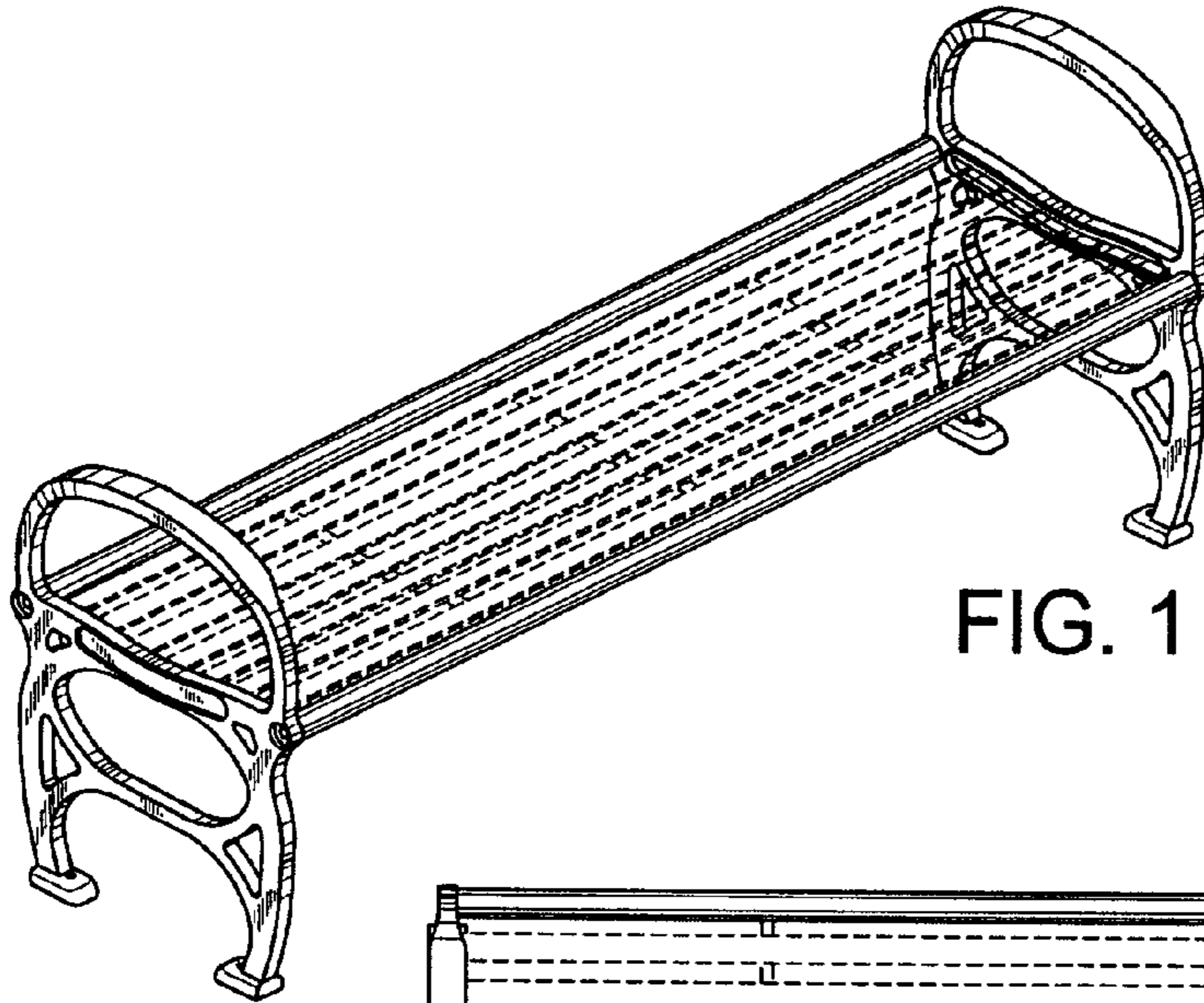


FIG. 1

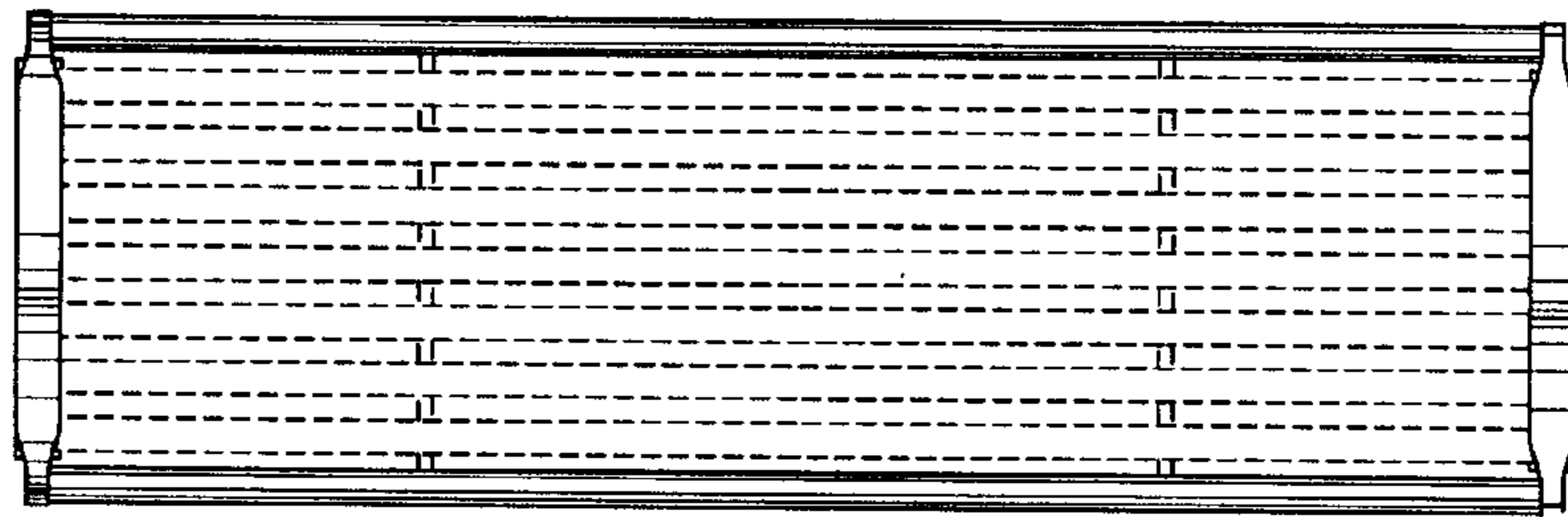


FIG. 2

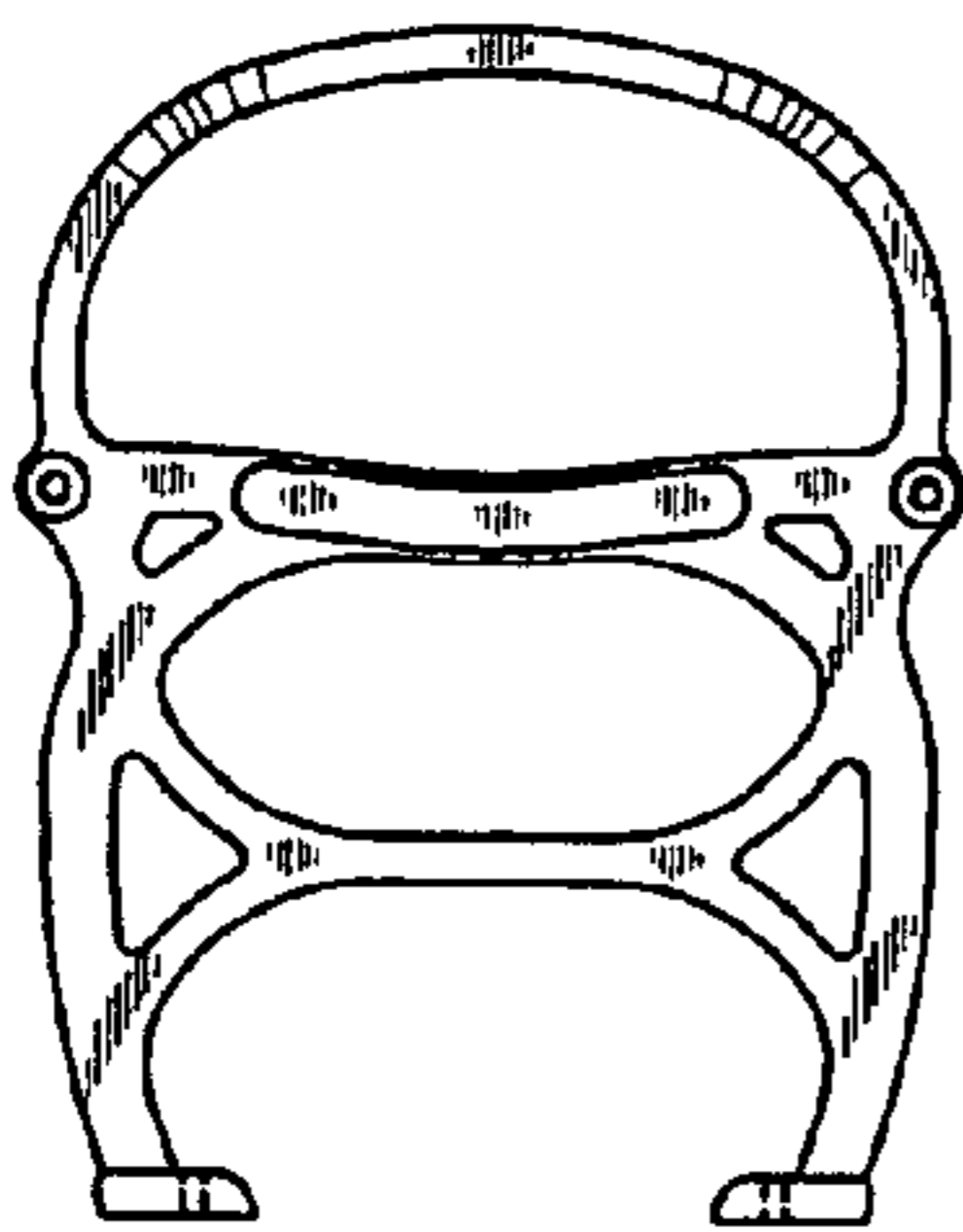


FIG. 3

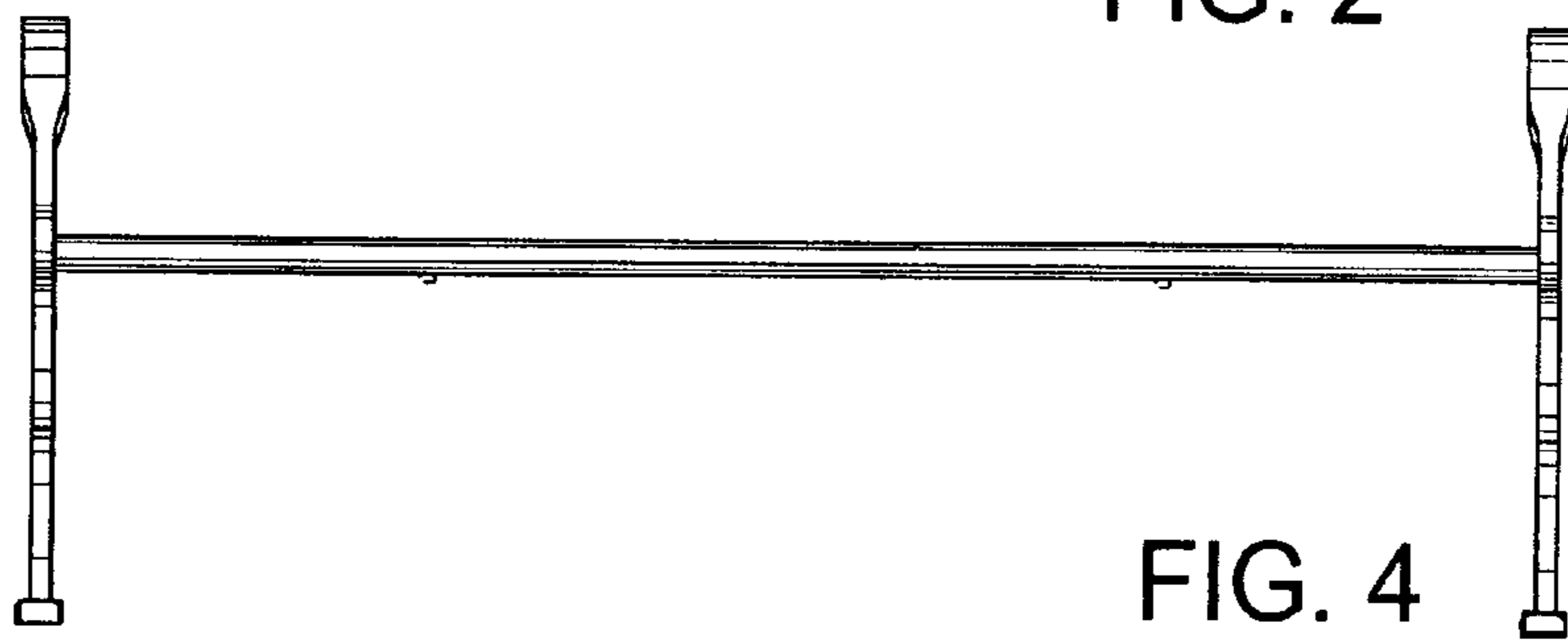


FIG. 4

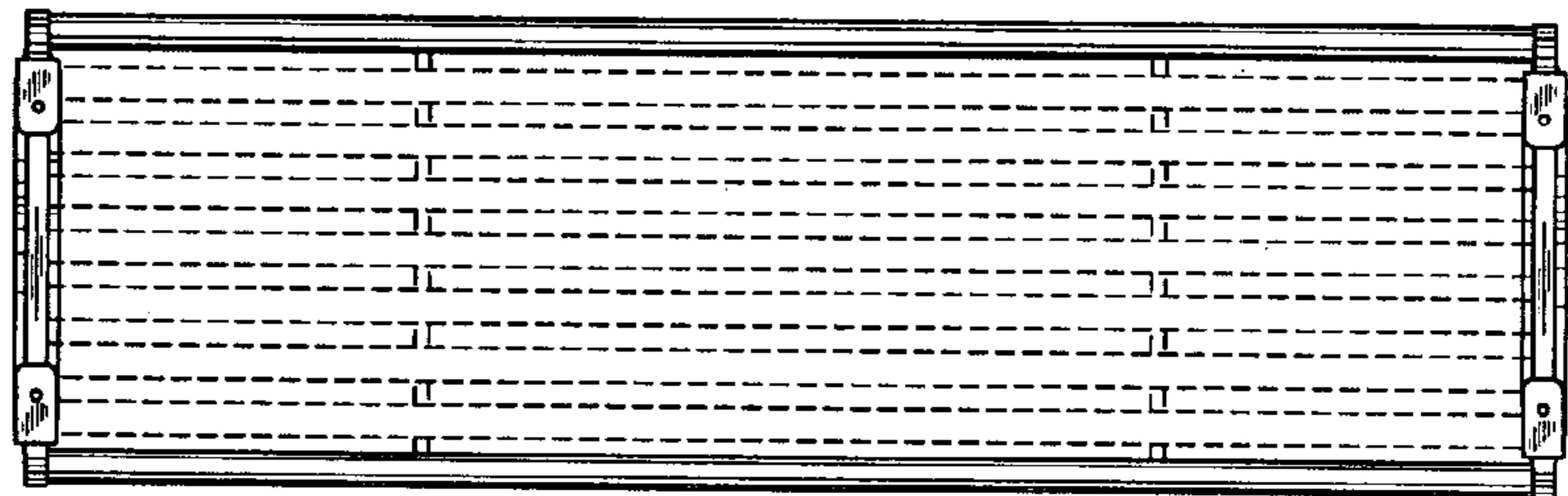


FIG. 5

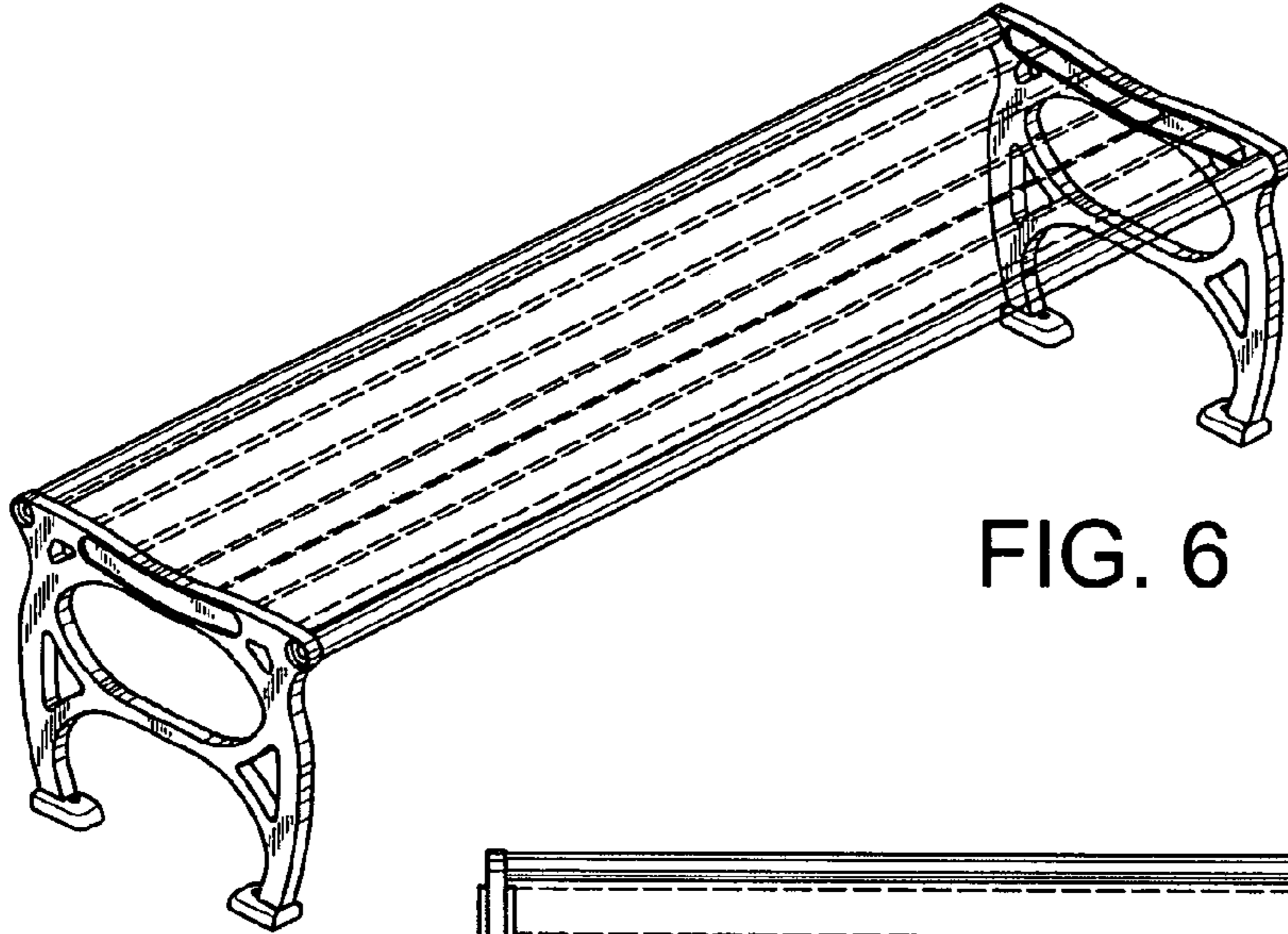


FIG. 6

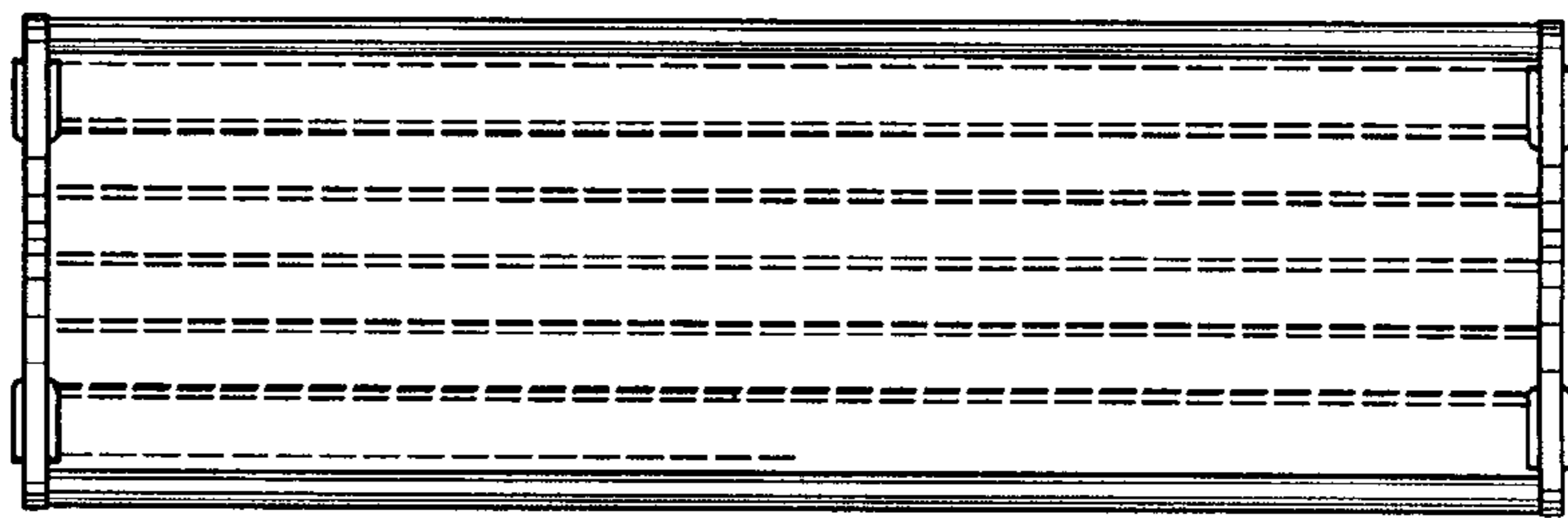


FIG. 7

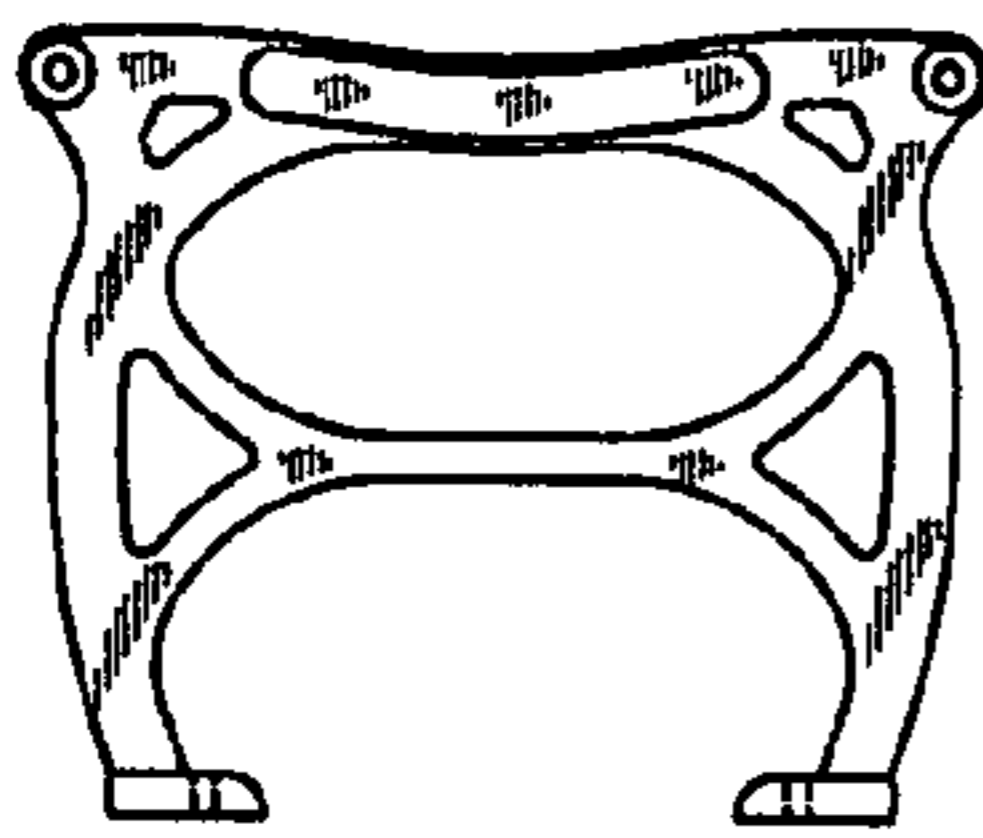


FIG. 8

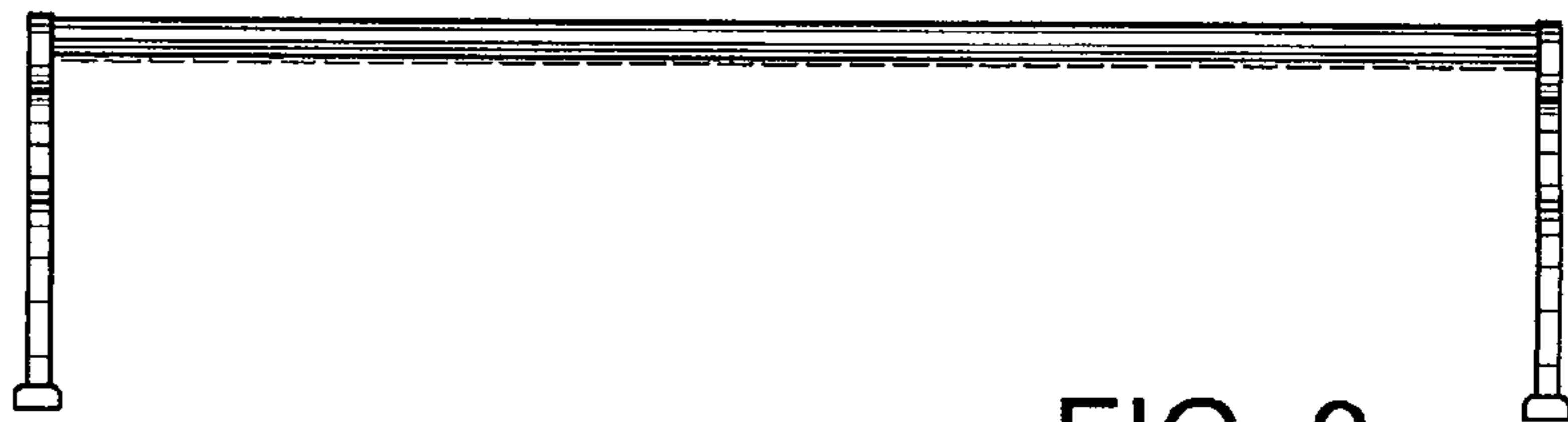


FIG. 9

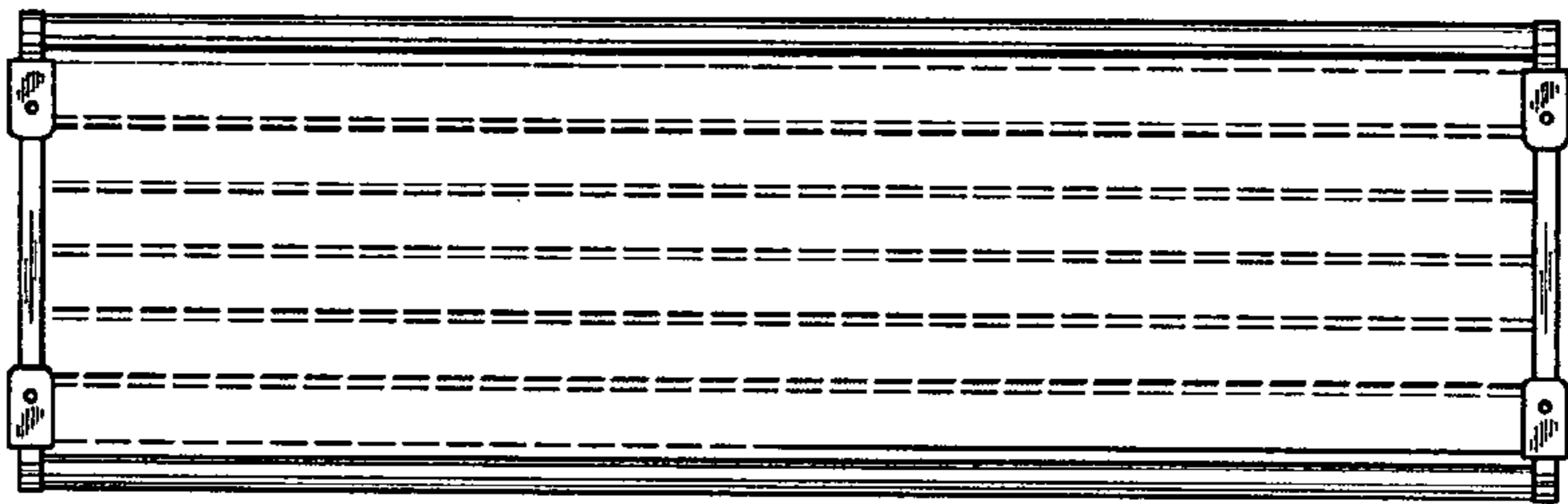


FIG. 10