



US00D562033S

(12) **United States Design Patent**  
**Lowsky**

(10) **Patent No.:** **US D562,033 S**  
(45) **Date of Patent:** **\*\* Feb. 19, 2008**

(54) **TABLE**

(76) **Inventor:** **Jamie Lowsky**, 7000 Island Blvd., Apt. 106, Aventura, FL (US) 33160

(\*\*) **Term:** **14 Years**

(21) **Appl. No.:** **29/275,166**

(22) **Filed:** **Dec. 15, 2006**

(51) **LOC (8) Cl.** ..... **06-03**

(52) **U.S. Cl.** ..... **D6/484**

(58) **Field of Classification Search** ..... D6/480-489,  
D6/495-499, 511, 429-431; 108/150, 153.1,  
108/155, 156, 157.17, 161; 248/188, 188.1,  
248/188.7, 188.8

See application file for complete search history.

(56) **References Cited**

**U.S. PATENT DOCUMENTS**

D374,138 S	*	10/1996	Paus	.....	D6/484
D402,828 S	*	12/1998	Hutton	.....	D6/479
D414,354 S	*	9/1999	Gower	.....	D6/484
D461,340 S	*	8/2002	Walters, III	.....	D6/484
D509,383 S	*	9/2005	Suzuki et al.	.....	D6/480

**OTHER PUBLICATIONS**

Heywood Wakefield, Apr. 7, 1916, p. 107, #6355 table at far left and bottom.\*

Heywood Wakefield, Apr. 7, 1916, p. 107, #W 8112 table 2<sup>nd</sup> from right and bottom.\*

\* cited by examiner

*Primary Examiner*—Janice E. Seeger

(74) *Attorney, Agent, or Firm*—Akerman Senterfitt; Gregory Nelson; Peter A. Chiabotti

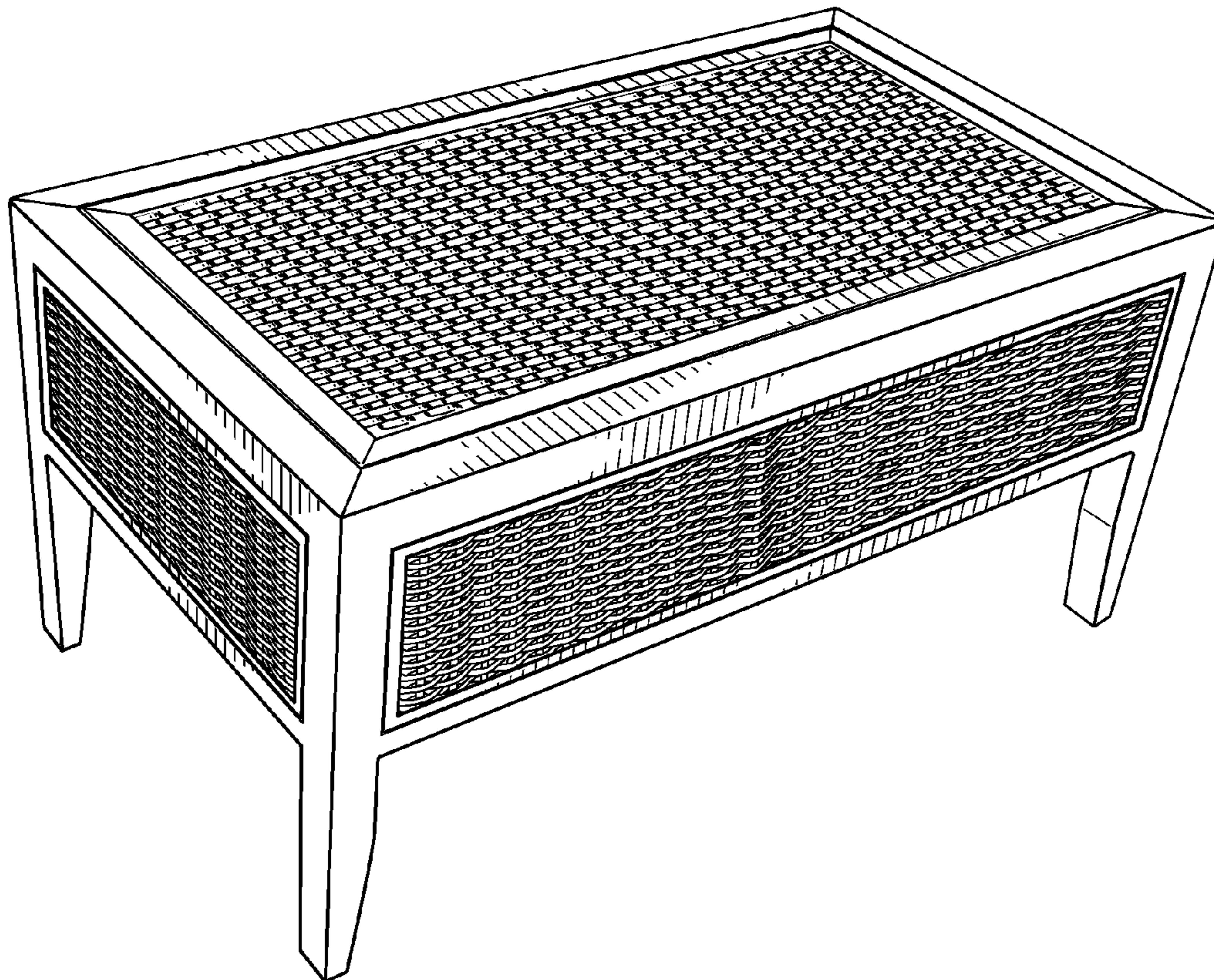
(57) **CLAIM**

The ornamental design for a table, as shown and described.

**DESCRIPTION**

FIG. 1 is a perspective view of my ornamental design; FIG. 2 is a top view of the ornamental design of FIG. 1; FIG. 3 is a left side elevation view of the ornamental design of FIG. 1, the right side elevation view being a mirror image thereof; FIG. 4 is a front plan view of the ornamental design of FIG. 1, the rear plan view being a mirror image thereof; and, FIG. 5 is a bottom view of the ornamental design of FIG. 1.

**1 Claim, 5 Drawing Sheets**





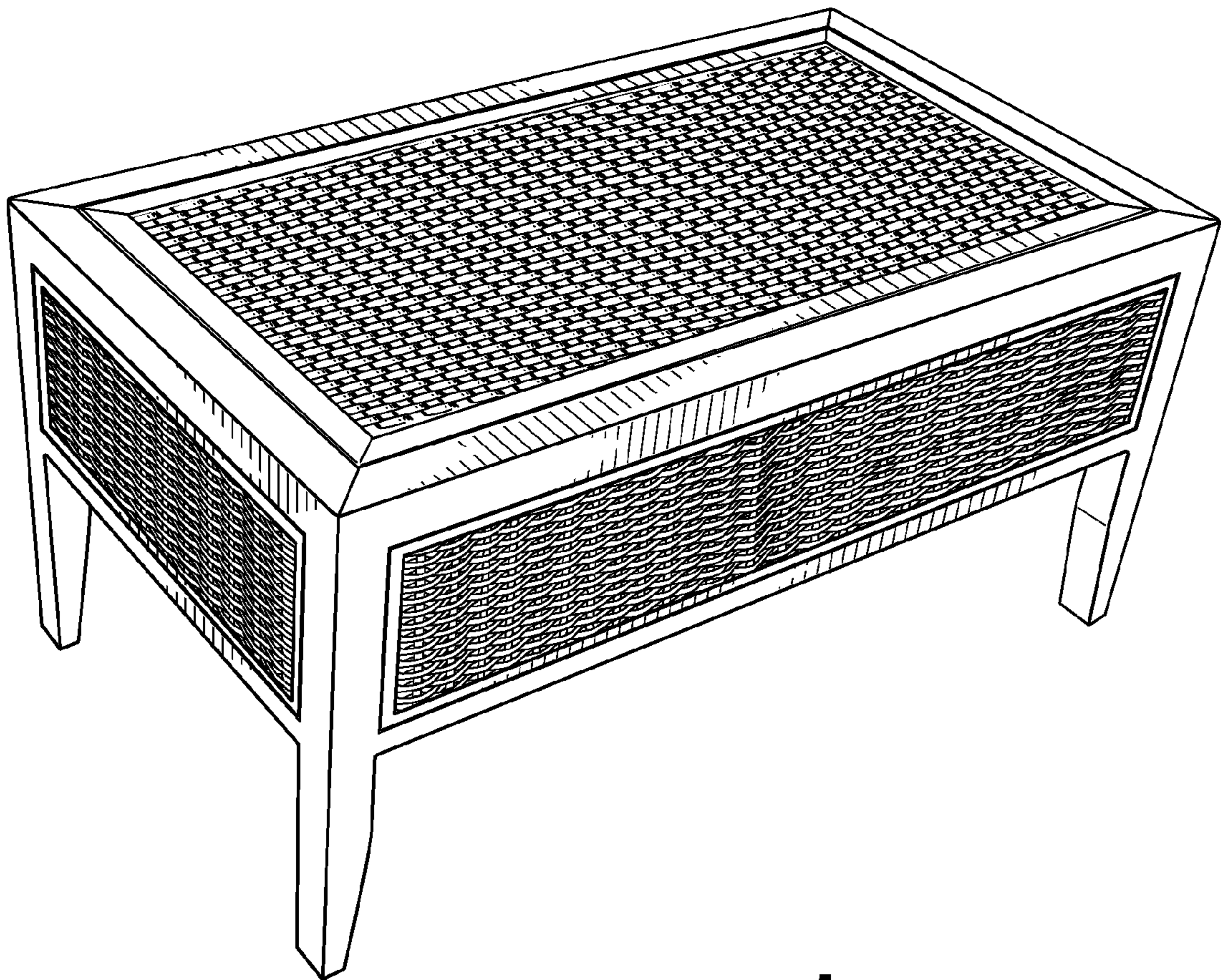


FIG. 1

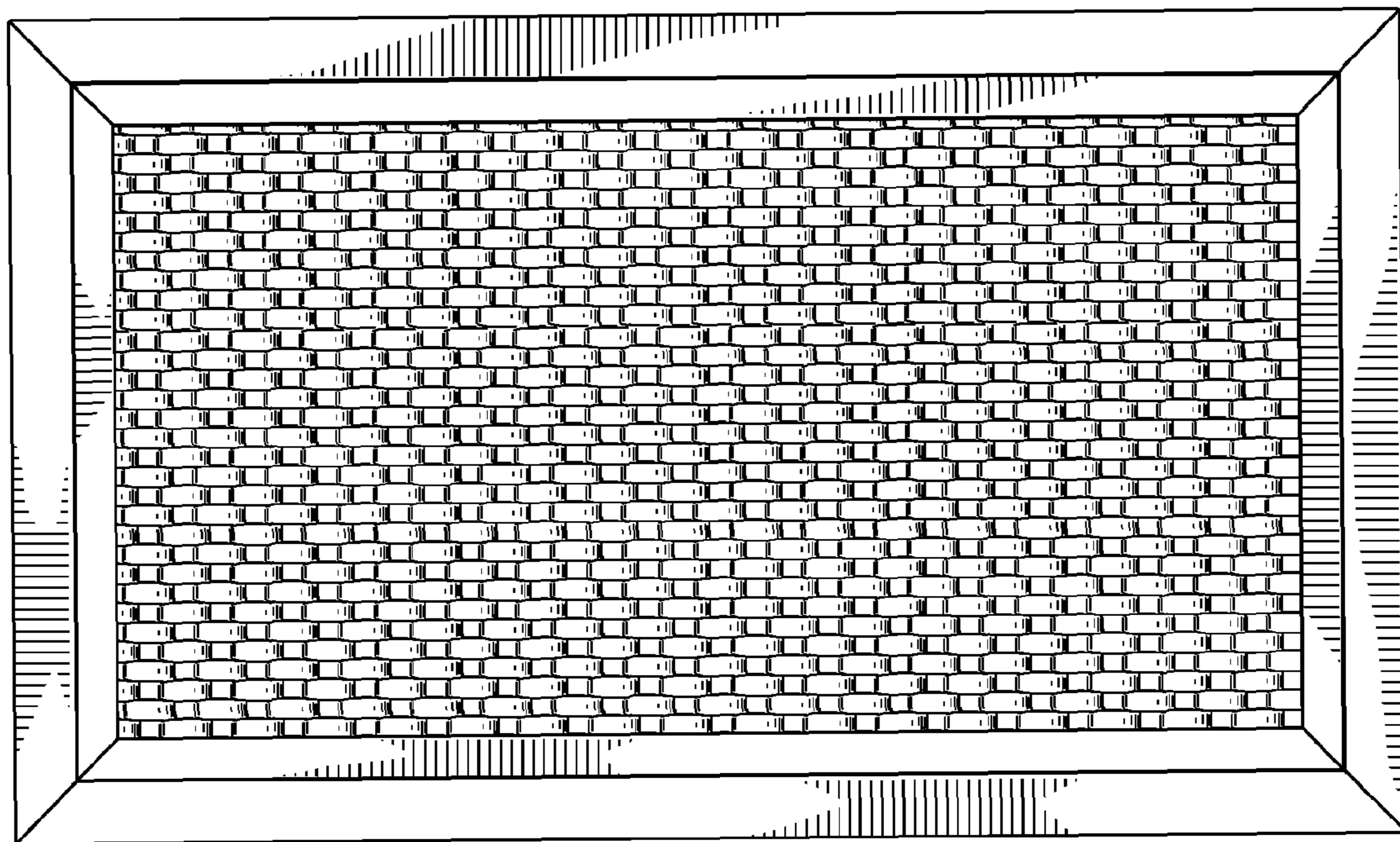
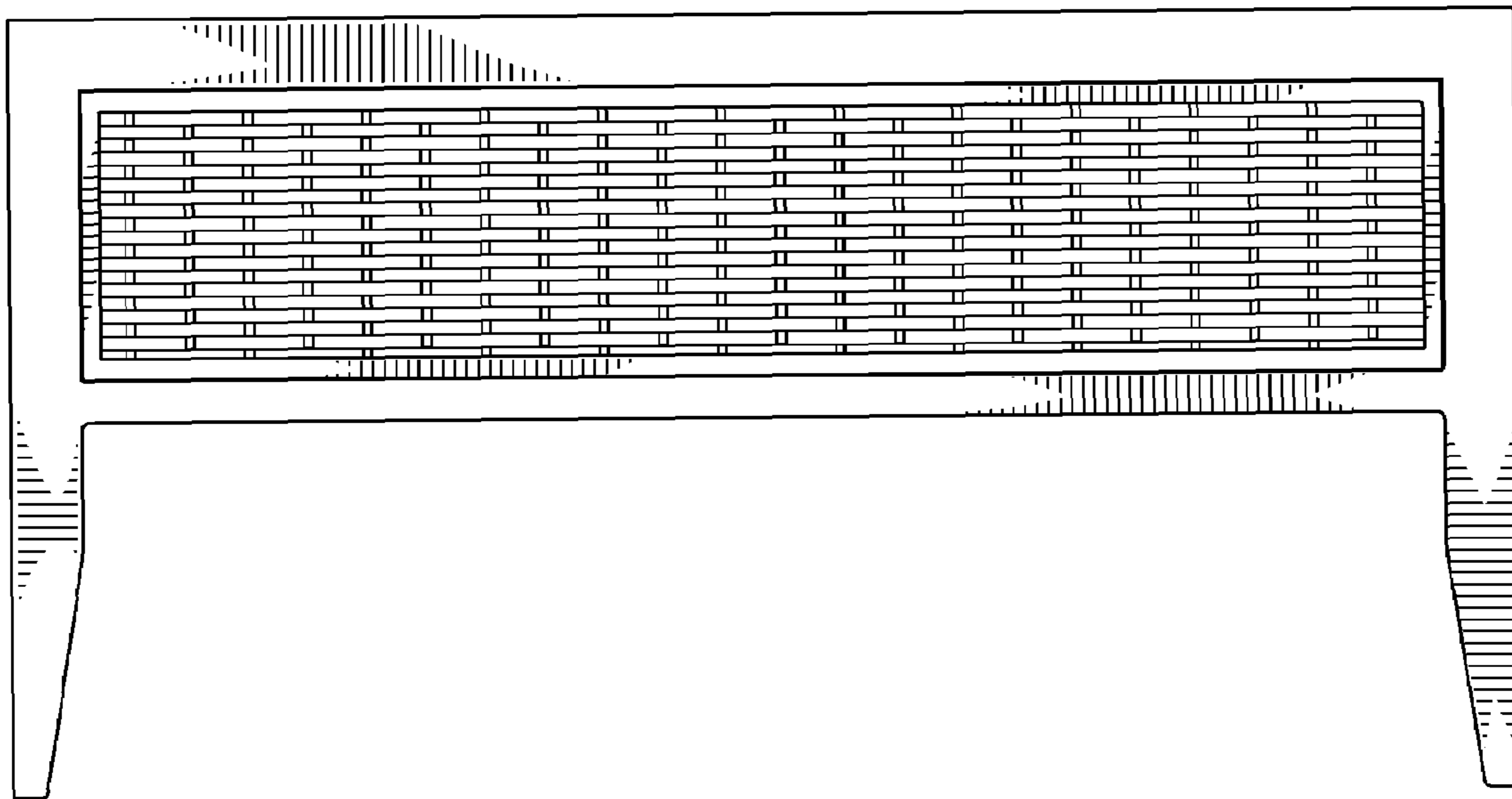
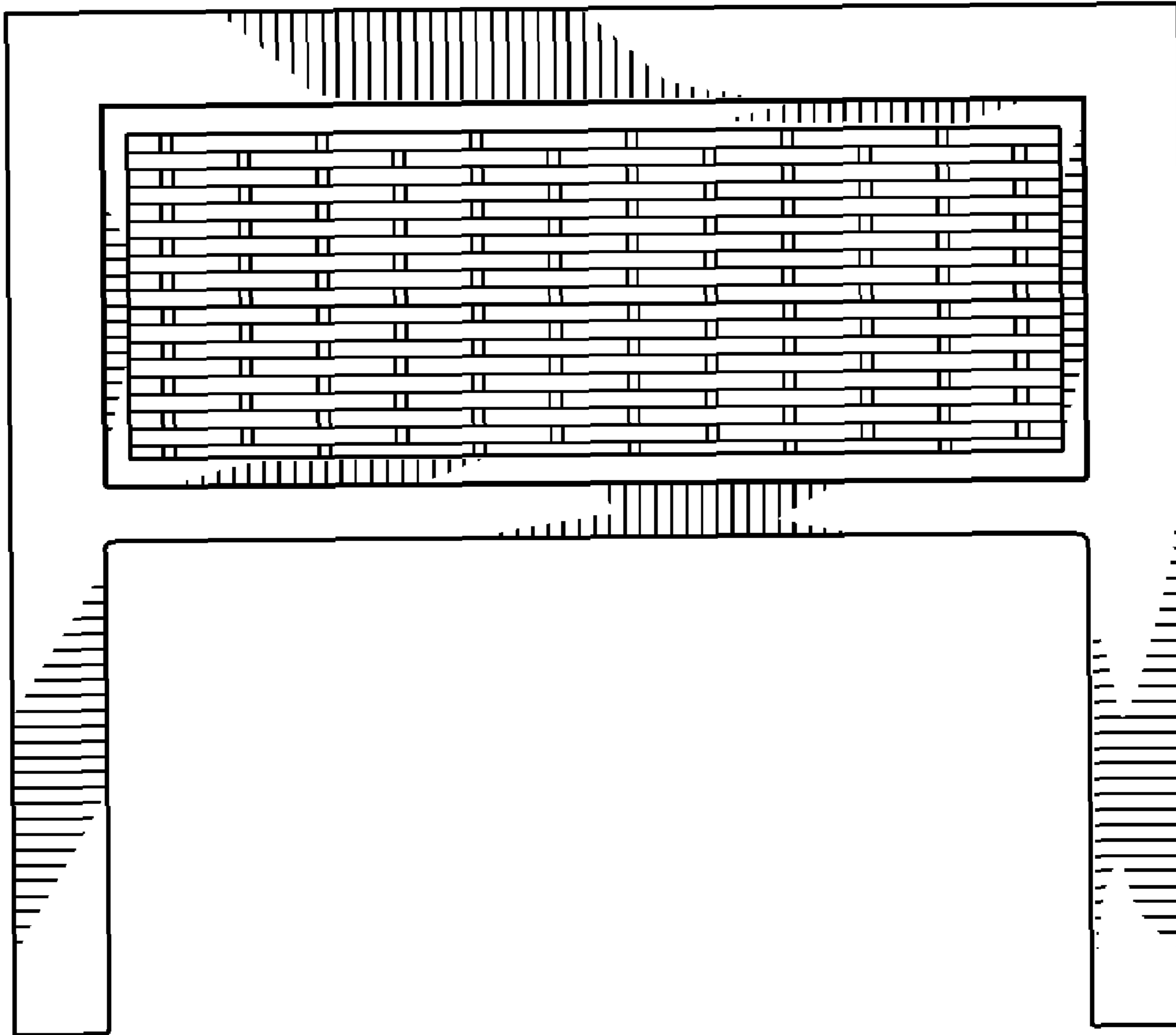


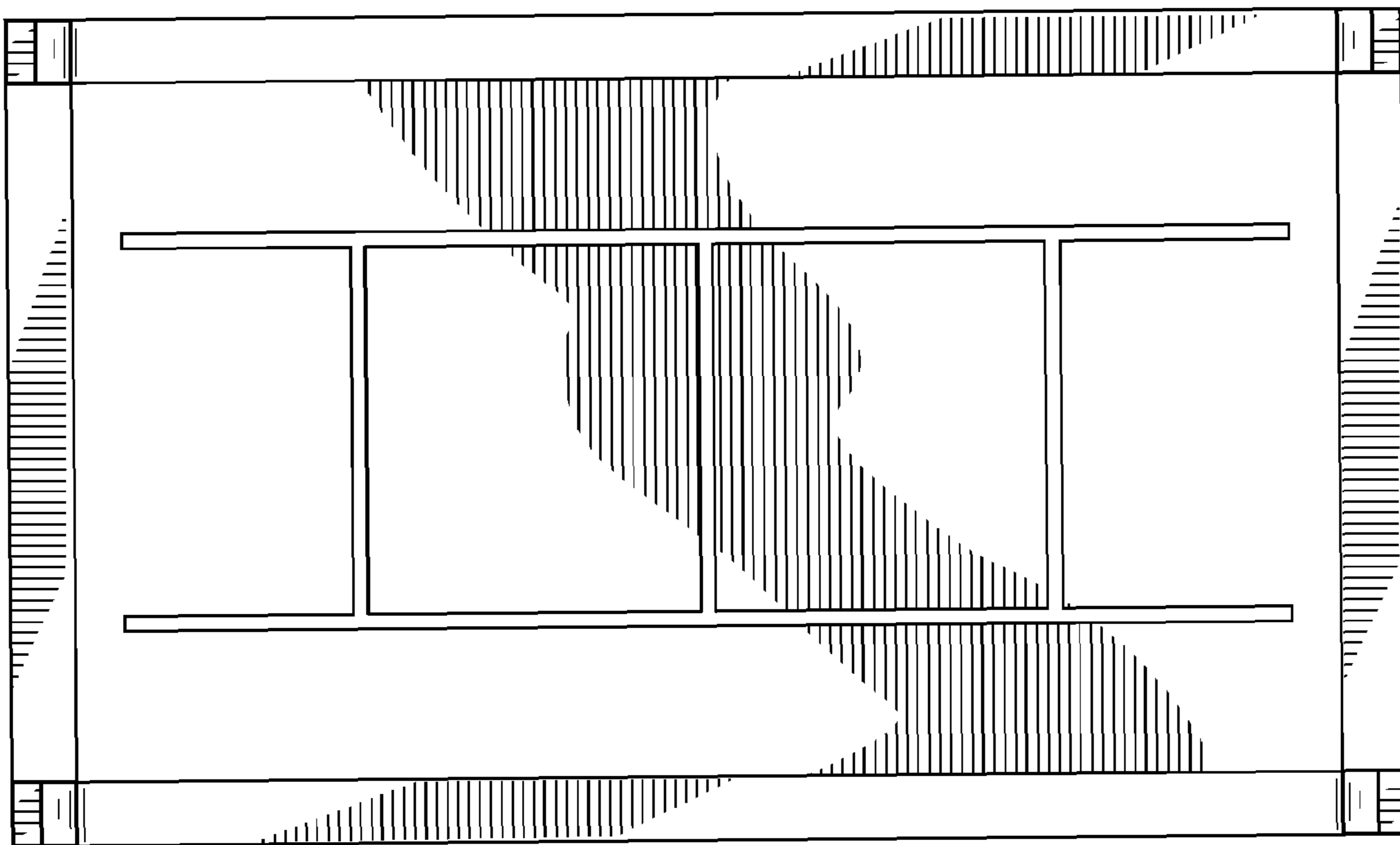
FIG. 2



**FIG. 3**



**FIG. 4**



**FIG. 5**