

US00D562032S

(12) **United States Design Patent** (10) **Patent No.:** **US D562,032 S**
Takami et al. (45) **Date of Patent:** **** Feb. 19, 2008**

(54) **TELEVISION SET STAND**

(75) Inventors: **Mitsuru Takami**, Kadoma (JP);
Mitsunari Fujii, Kadoma (JP);
Tomohiro Ohba, Kadoma (JP)

(73) Assignee: **Matsushita Electric Industrial Co., Ltd.**, Osaka (JP)

(**) Term: **14 Years**

(21) Appl. No.: **29/273,347**

(22) Filed: **Mar. 2, 2007**

(30) **Foreign Application Priority Data**

Sep. 12, 2006 (JP) 2006-024308

(51) **LOC (8) Cl.** **06-04**

(52) **U.S. Cl.** **D6/477**

(58) **Field of Classification Search** D6/477-479,
D6/474, 509, 470, 468, 460-461; 312/7.2,
312/9.1, 108, 59, 91-92, 96; 211/42, 49.1,
211/90.04

See application file for complete search history.

(56) **References Cited**

U.S. PATENT DOCUMENTS

D457,507 S * 5/2002 Lim et al. D14/133
D486,804 S 2/2004 Takami et al.

D488,141 S 4/2004 Takami et al.
D506,328 S 6/2005 Inoue
D517,838 S * 3/2006 Luong D6/477
D525,053 S * 7/2006 Smith D6/477
D539,057 S * 3/2007 Senda et al. D6/477
D543,166 S * 5/2007 Kuramashi et al. D14/128

* cited by examiner

Primary Examiner—Elizabeth A. Albert

Assistant Examiner—Kelley A. Donnelly

(74) *Attorney, Agent, or Firm*—Brinks Hofer Gilson & Lione

(57) **CLAIM**

The ornamental design for a television set stand, as shown and described.

DESCRIPTION

FIG. 1 is a top perspective view of a television set stand of the present invention;

FIG. 2 is a front view thereof;

FIG. 3 is a first side view thereof;

FIG. 4 is a second side view thereof;

FIG. 5 is a top view thereof;

FIG. 6 is a rear view thereof; and,

FIG. 7 is a bottom view thereof.

1 Claim, 3 Drawing Sheets

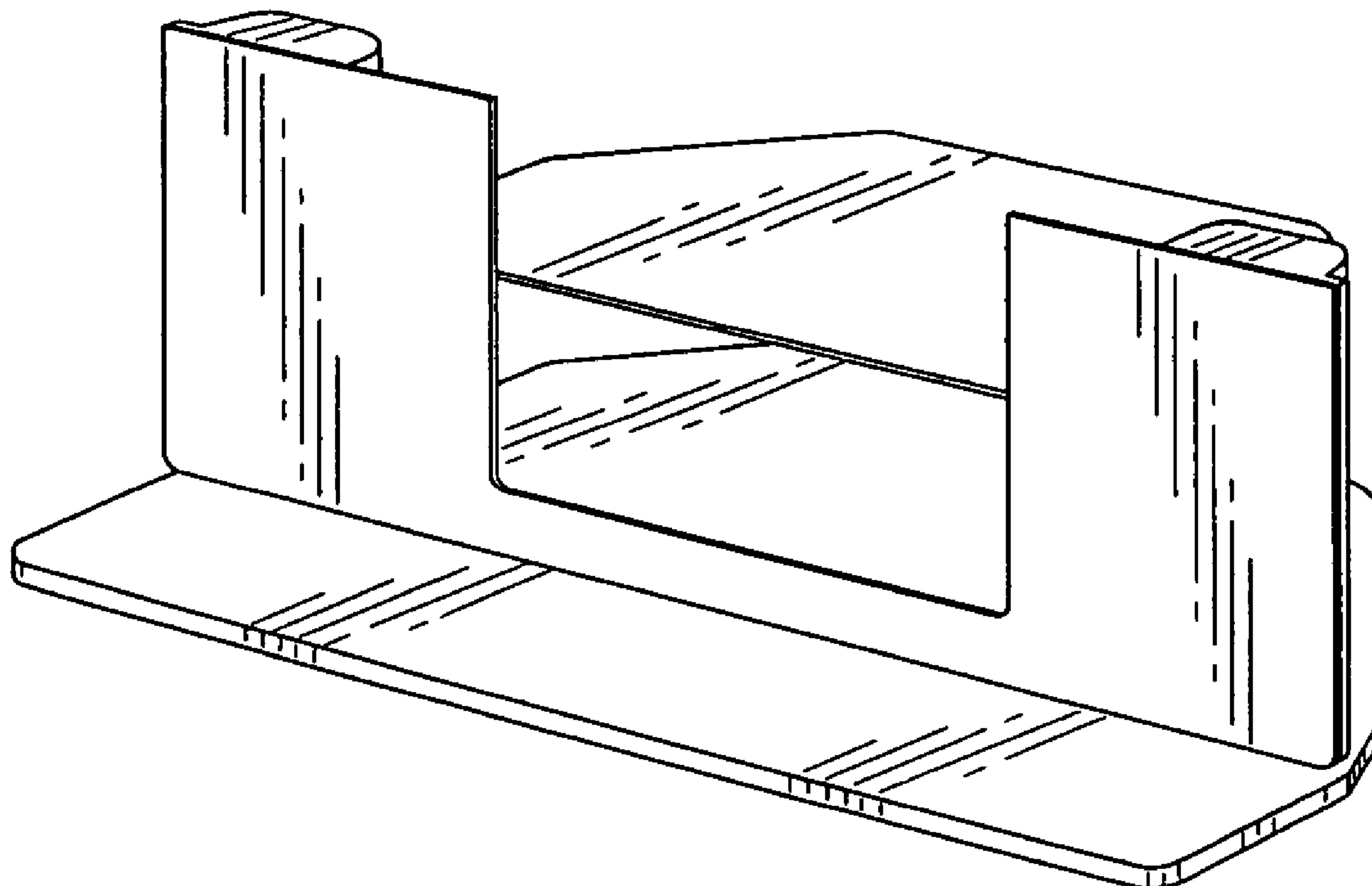


FIG.1

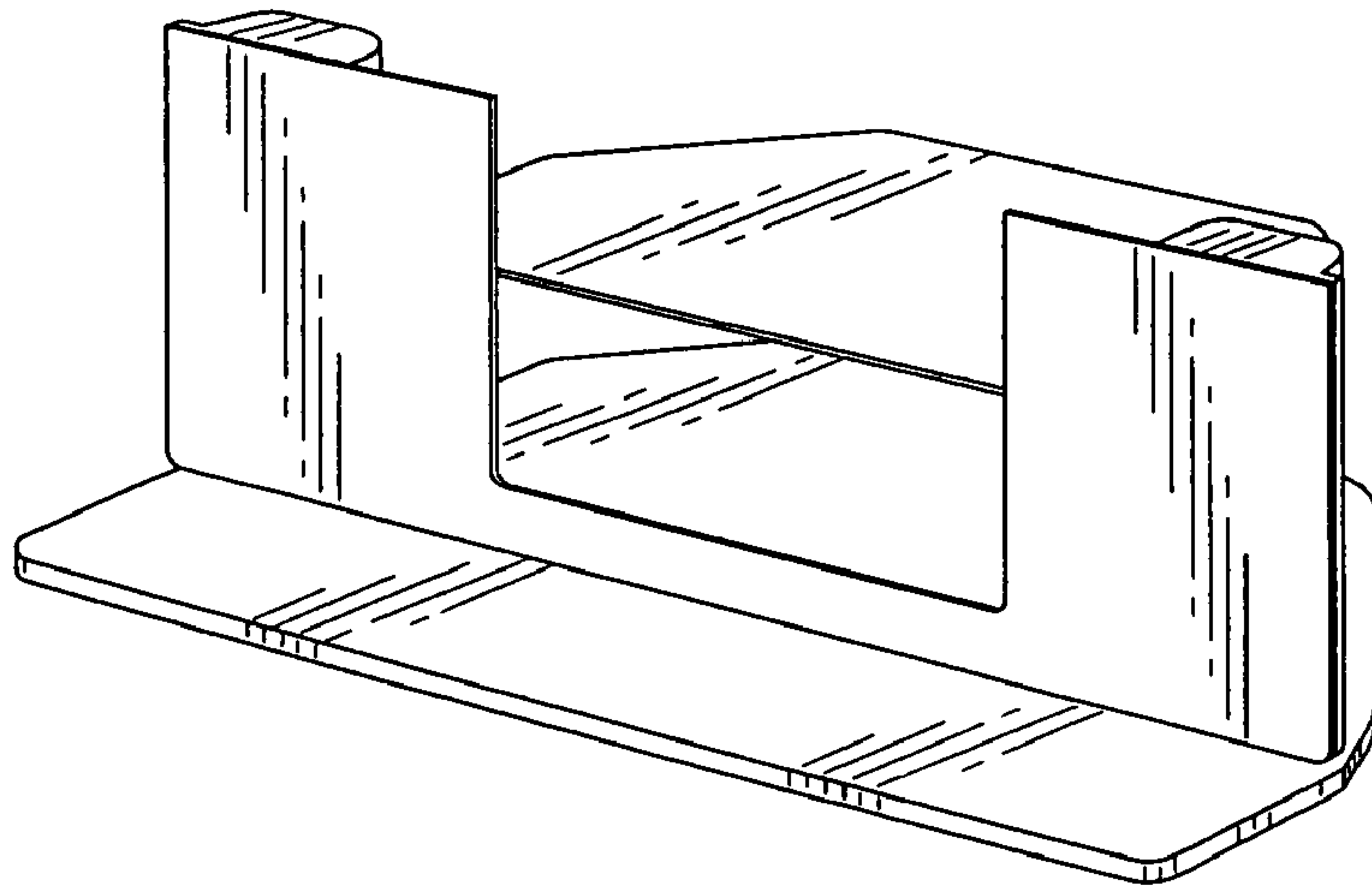


FIG.2

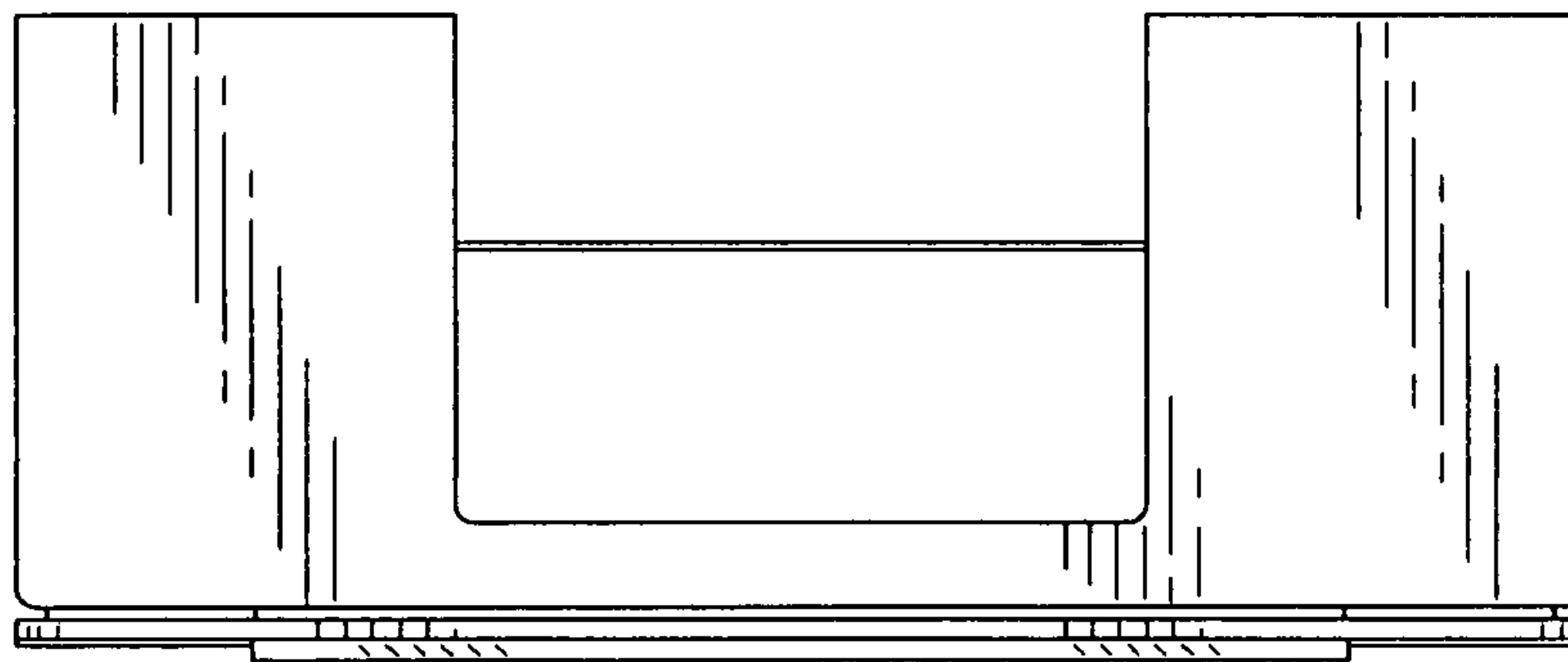


FIG.3

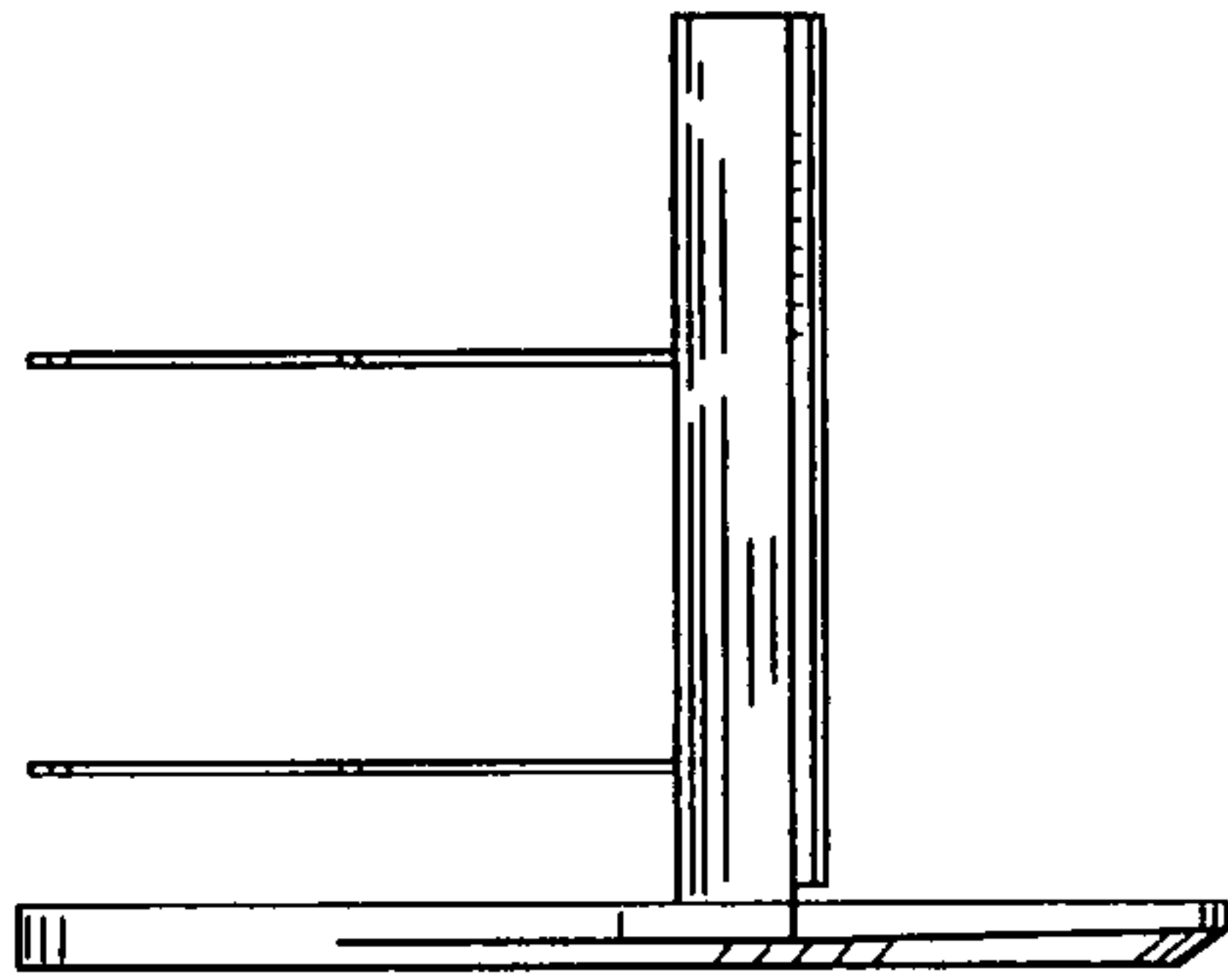


FIG.4

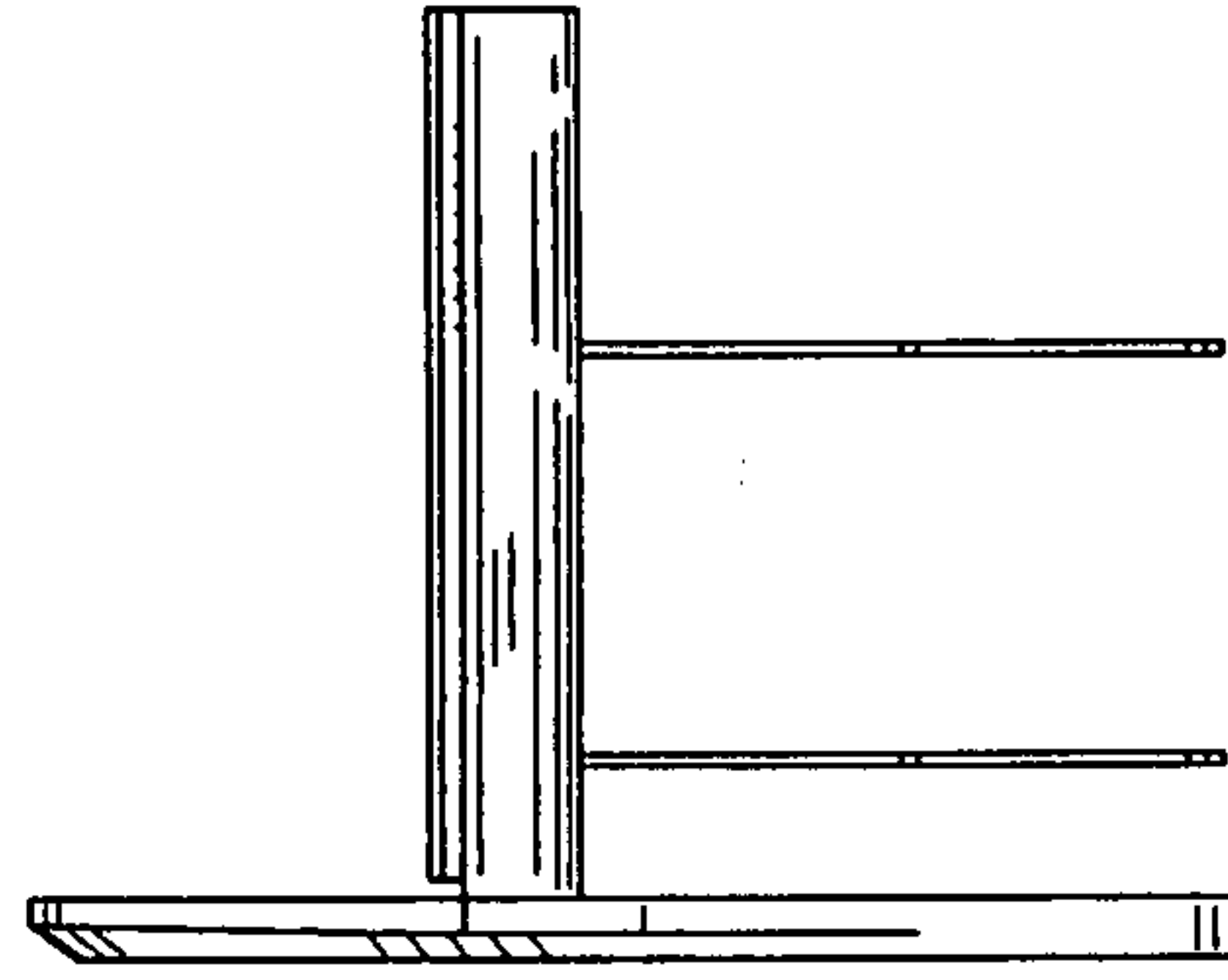


FIG.5

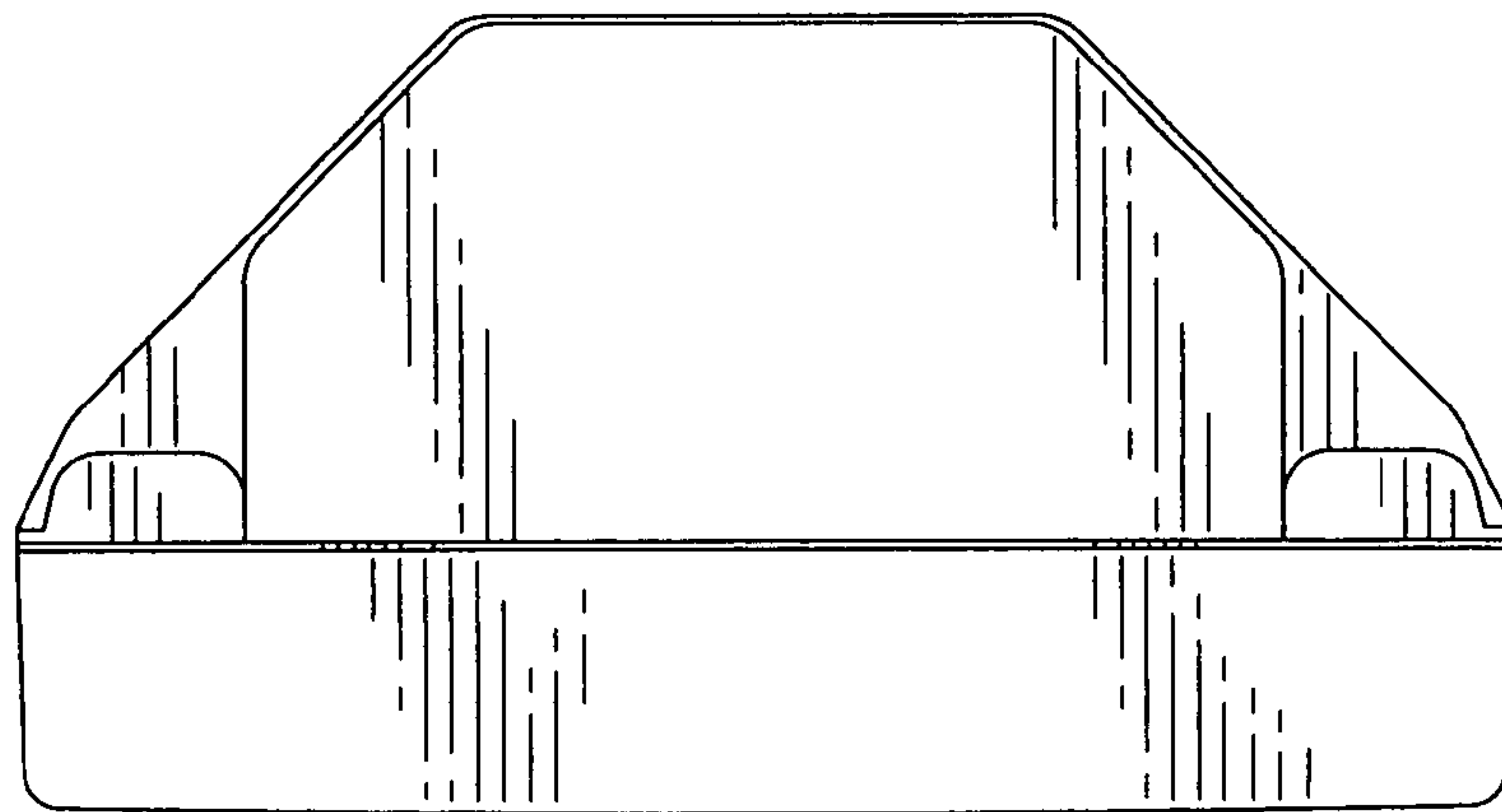


FIG.6

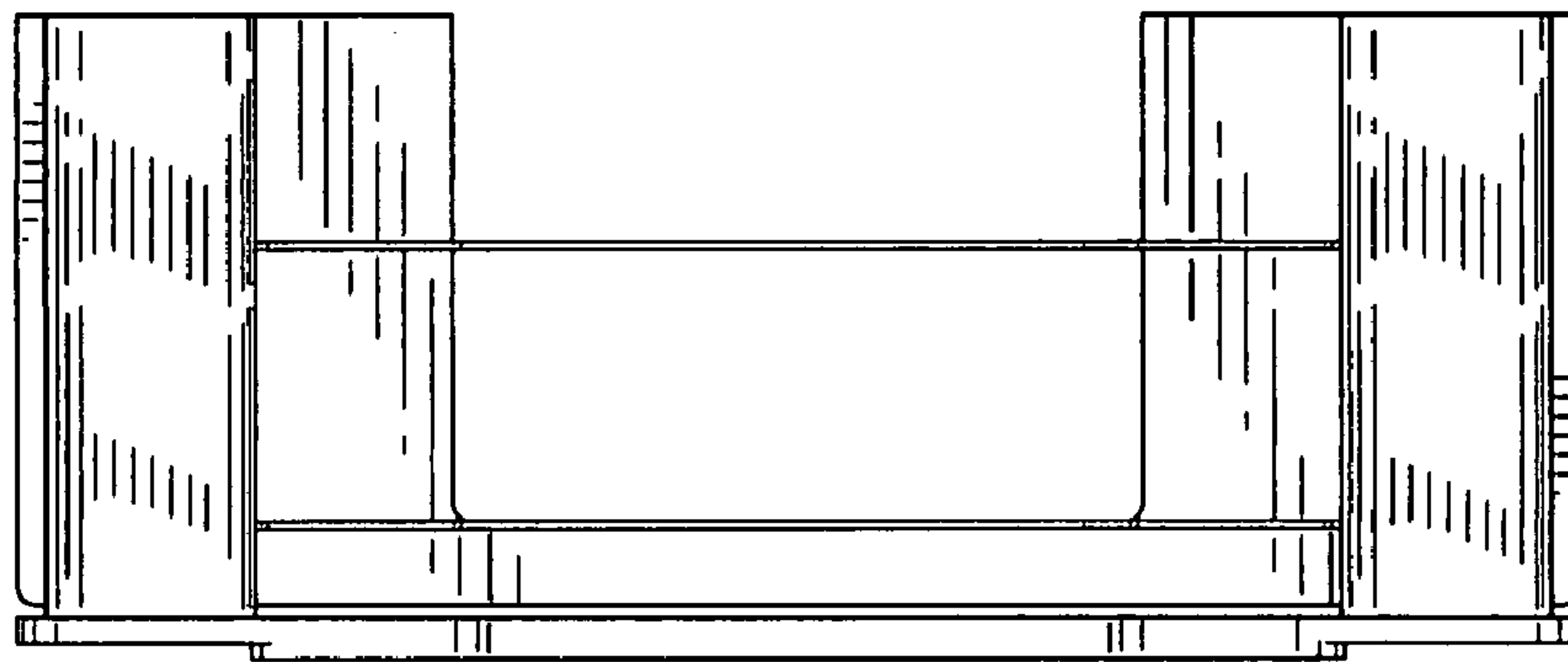


FIG.7

