

US00D562029S

(12) **United States Design Patent**  
**Chang**

(10) **Patent No.:** **US D562,029 S**

(45) **Date of Patent:** **\*\* Feb. 19, 2008**

(54) **COMPUTER TABLE**

D500,214 S \* 12/2004 Chang ..... D6/426  
D509,678 S \* 9/2005 Chang ..... D6/426

(76) Inventor: **Chien-Kuo Chang**, P.O. Box 36-80,  
Taichung City (TW)

\* cited by examiner

(\*\*) Term: **14 Years**

*Primary Examiner*—Janice E. Seeger  
(74) *Attorney, Agent, or Firm*—Charles E. Baxley

(21) Appl. No.: **29/262,787**

(57) **CLAIM**

(22) Filed: **Jul. 11, 2006**

The ornamental design for a computer table, as shown and described.

(51) **LOC (8) Cl.** ..... **06-04**

(52) **U.S. Cl.** ..... **D6/426**

(58) **Field of Classification Search** ..... D6/422–428,  
D6/484, 421, 474, 477, 479; 108/50.01,  
108/50.02, 91, 92; 312/194–196, 208.1,  
312/238, 239

See application file for complete search history.

**DESCRIPTION**

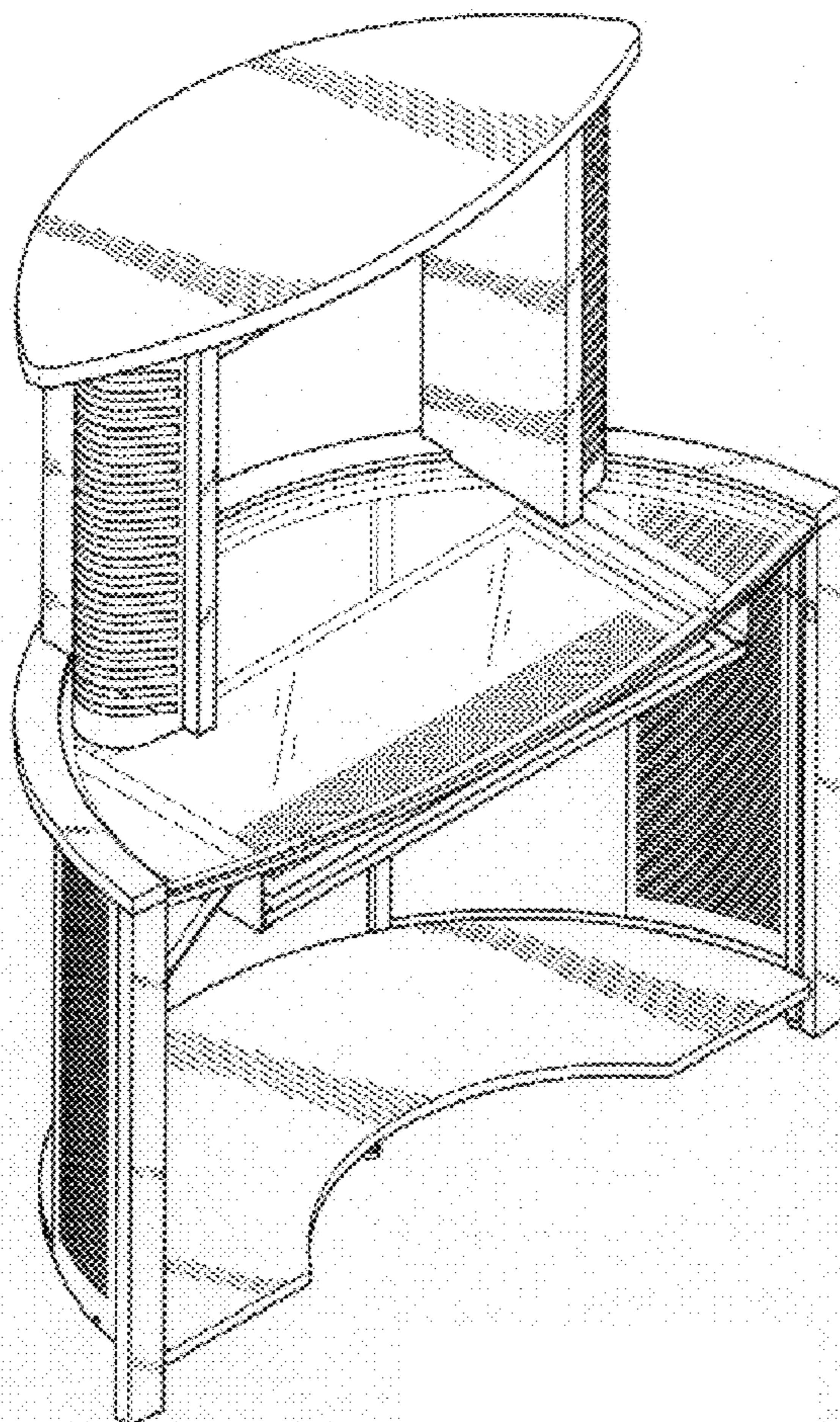
(56) **References Cited**

**U.S. PATENT DOCUMENTS**

D486,977 S \* 2/2004 Chang ..... D6/426  
D487,364 S \* 3/2004 Chang ..... D6/426  
D487,852 S \* 3/2004 Chang ..... D6/426  
D496,186 S \* 9/2004 Chang ..... D6/426

FIG. 1 is a perspective view of a computer table showing our new design thereof;  
FIG. 2 is a front elevational view thereof;  
FIG. 3 is a rear elevational view thereof;  
FIG. 4 is a left side elevational view thereof;  
FIG. 5 is a right side elevational view thereof;  
FIG. 6 is a top plan view thereof; and,  
FIG. 7 is a bottom plan view thereof.

**1 Claim, 6 Drawing Sheets**





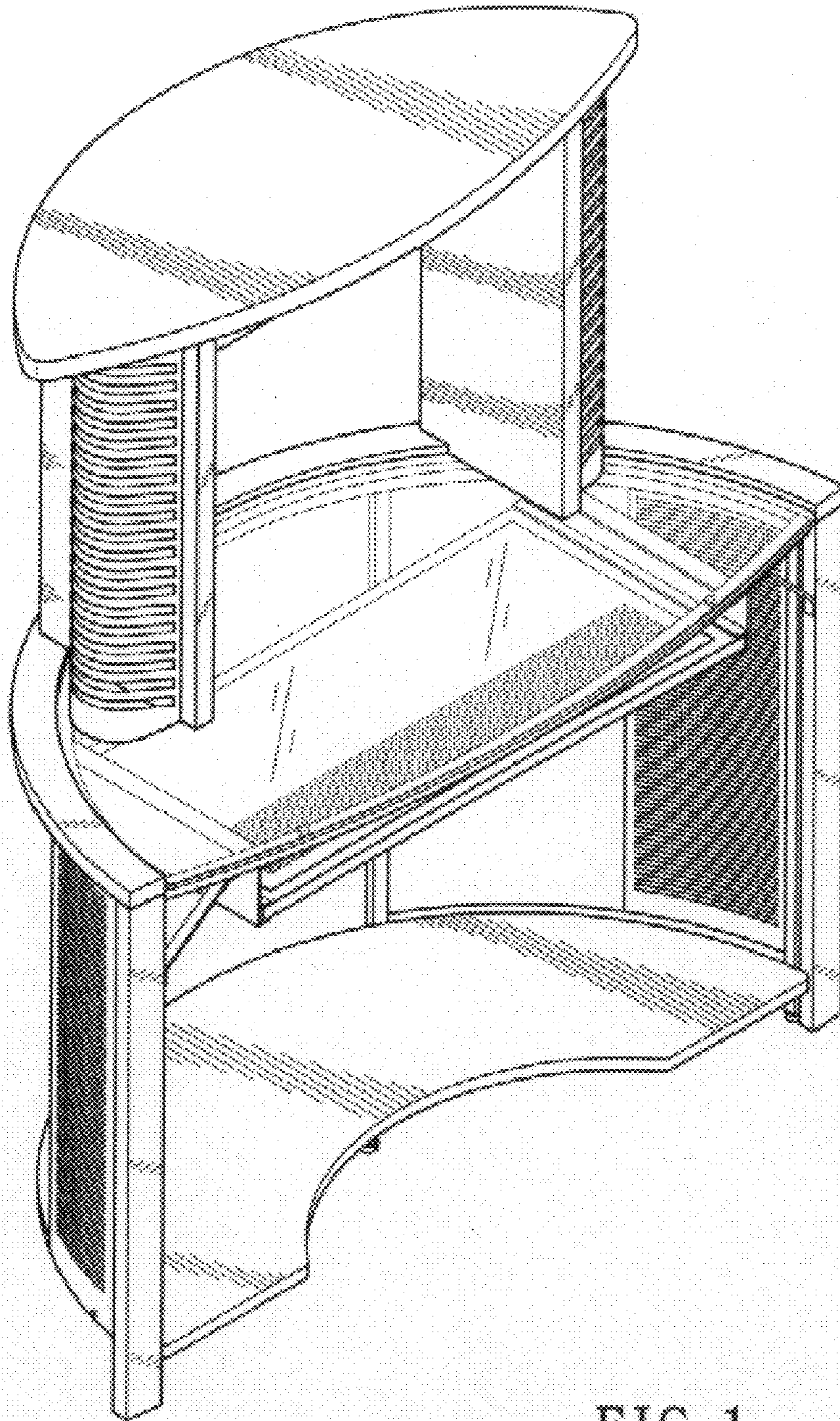


FIG. 1



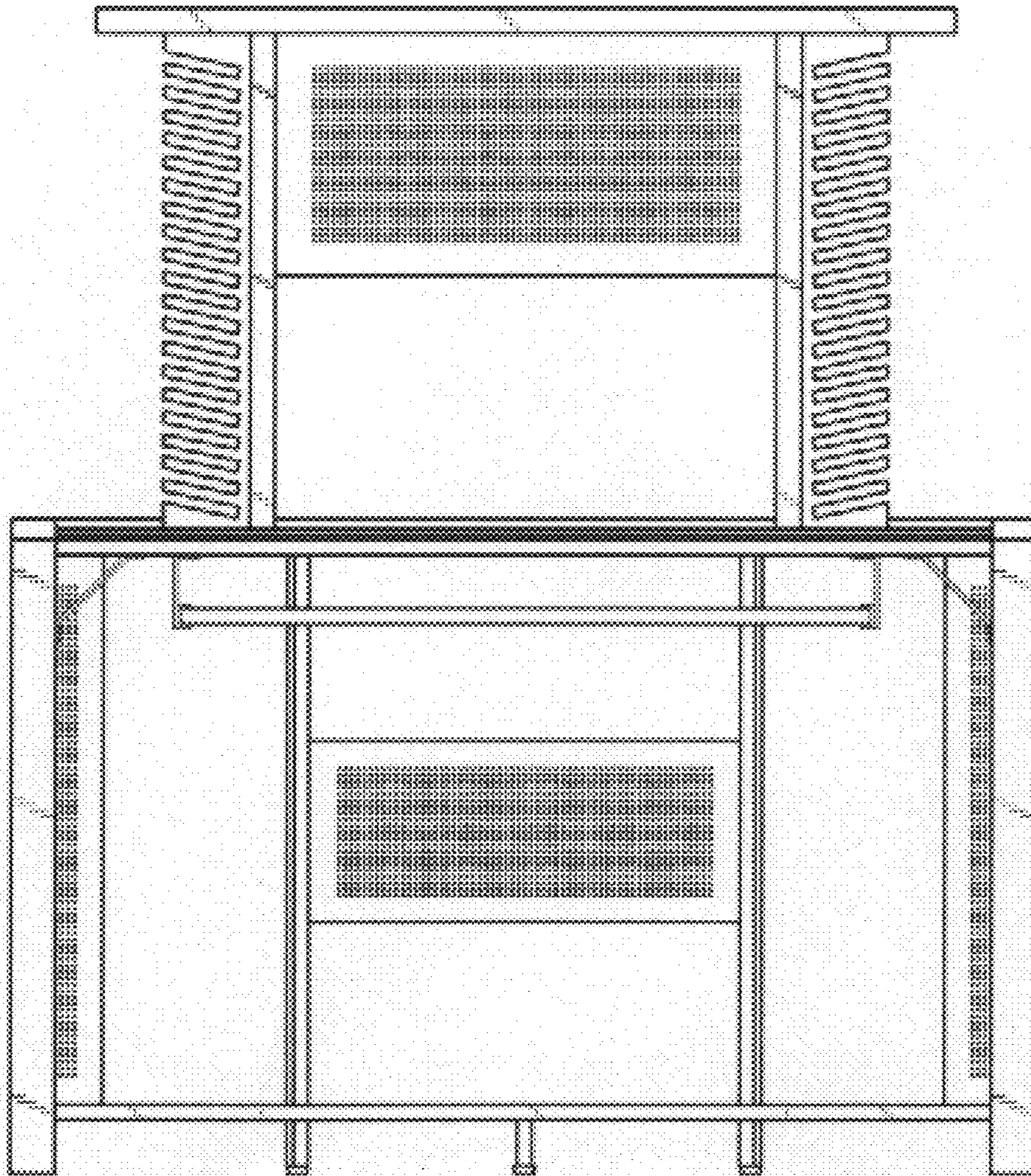


FIG. 2



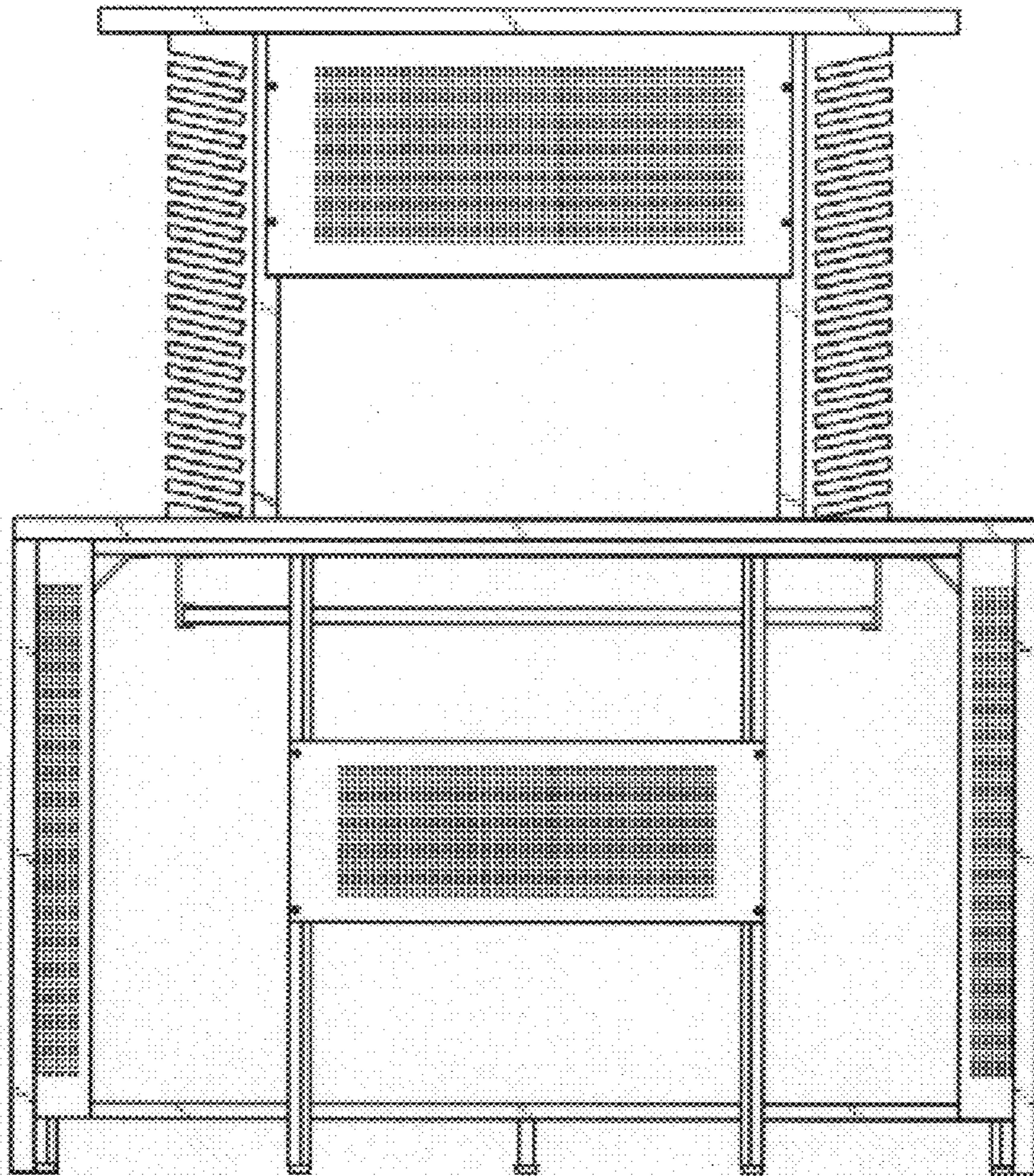


FIG. 3



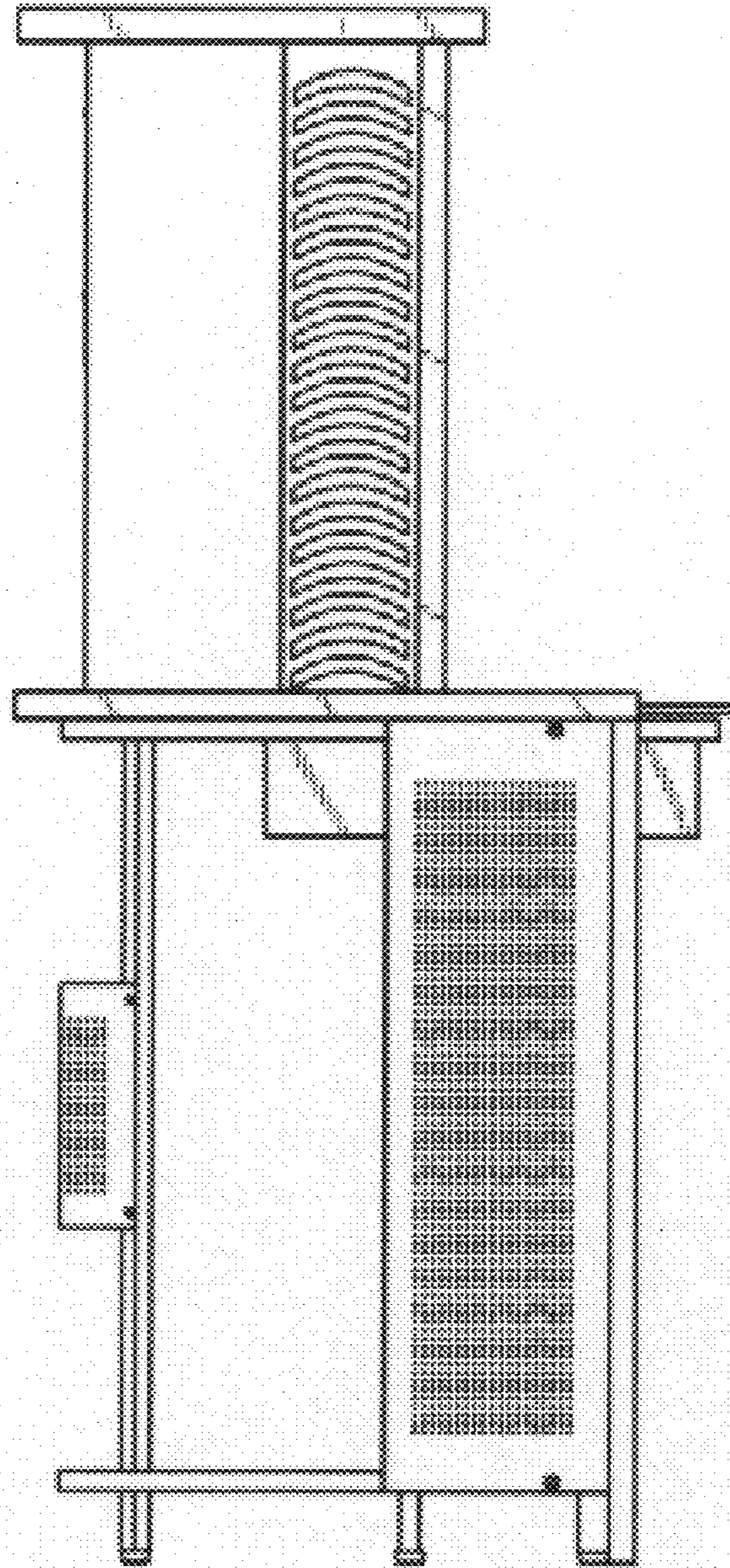


FIG. 4

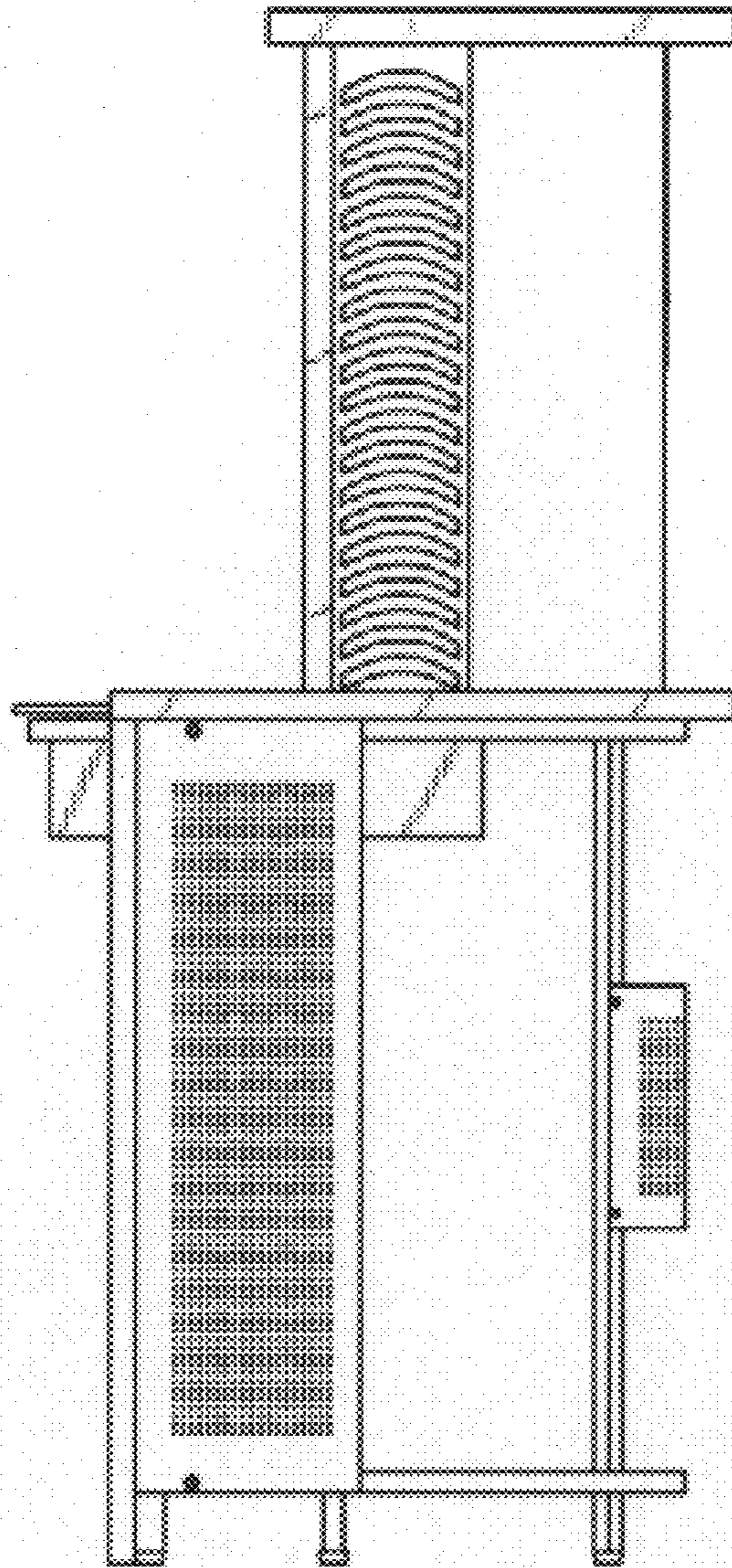


FIG. 5



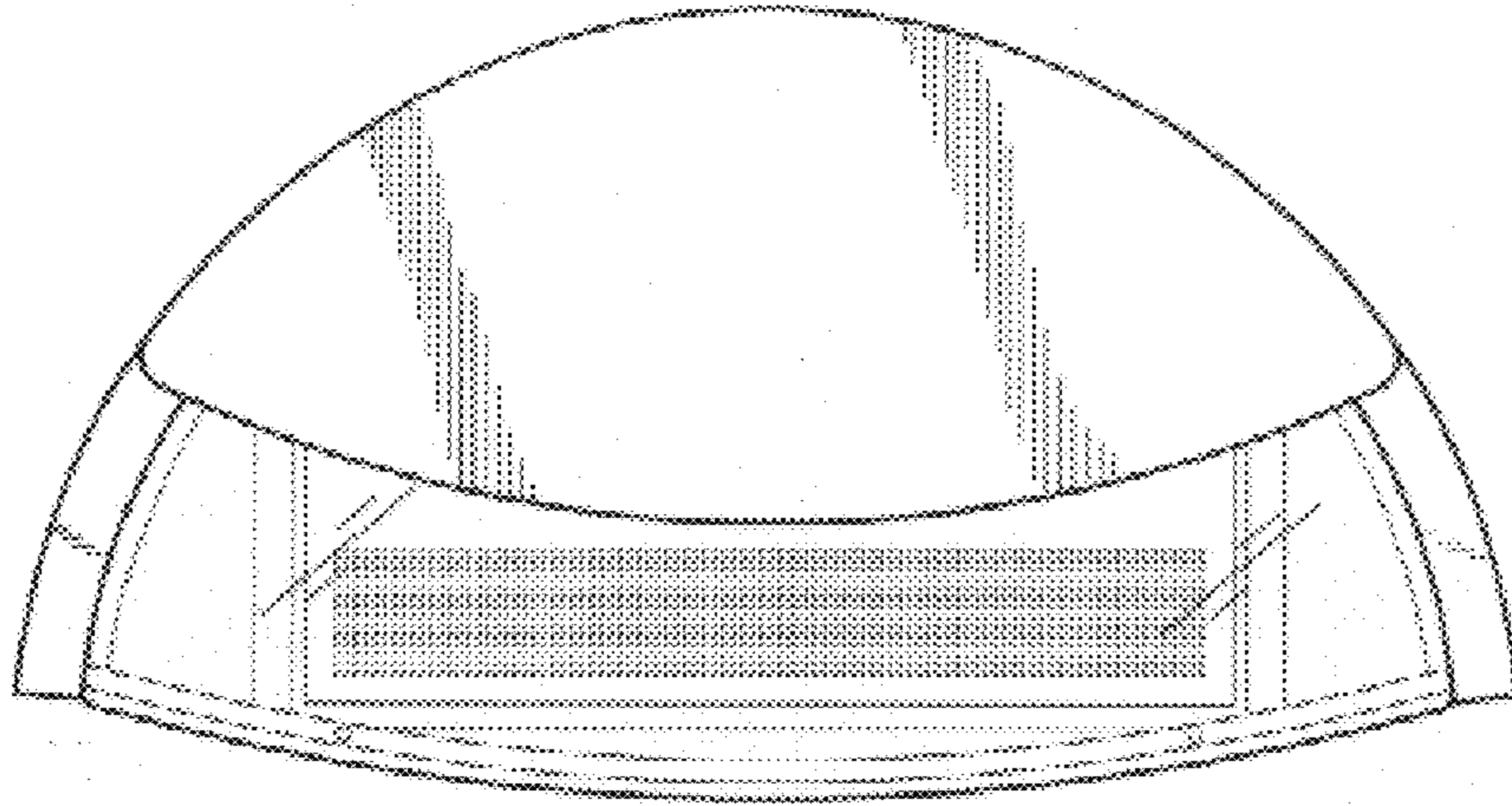


FIG. 6

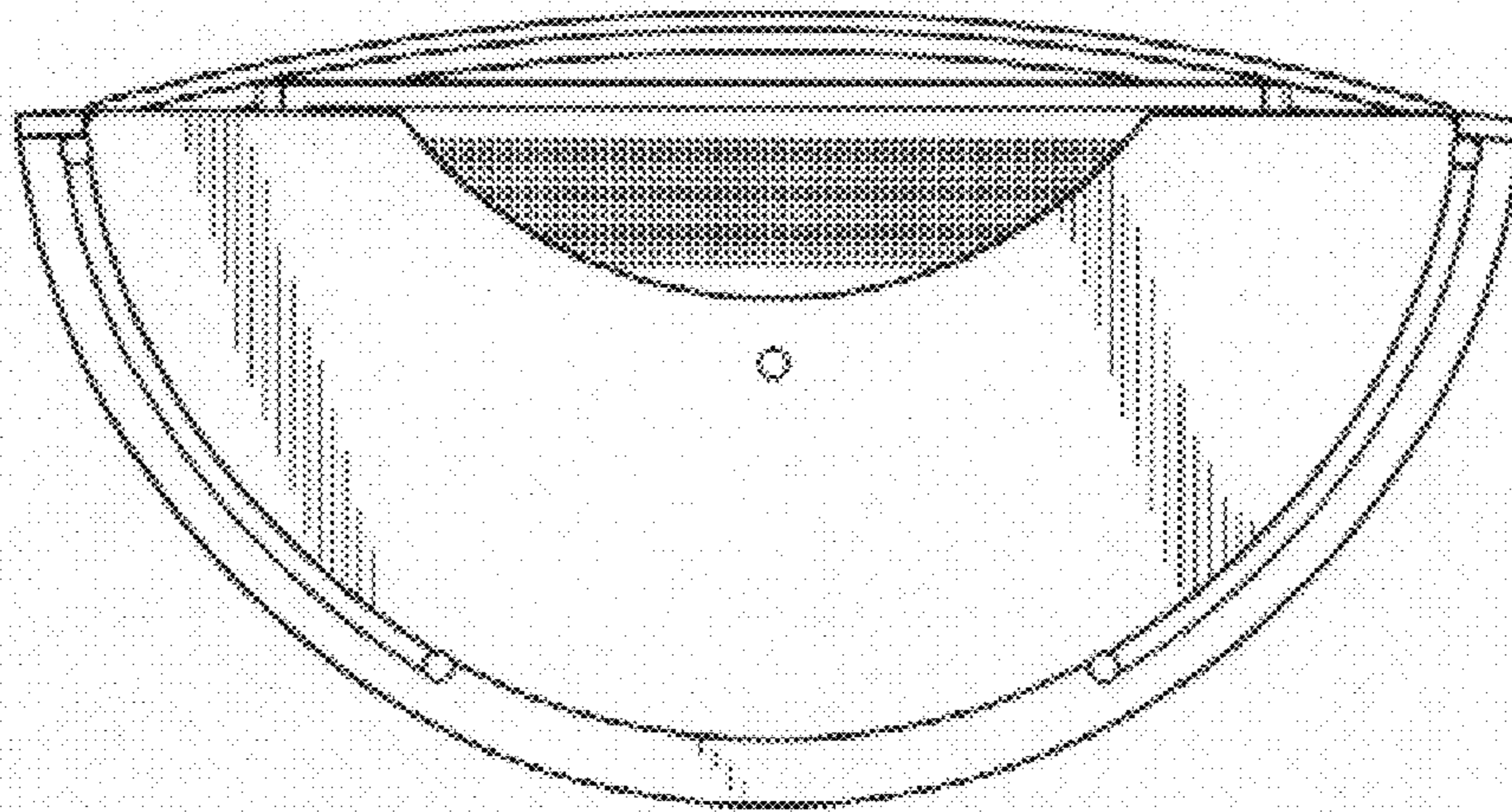


FIG. 7