

US00D562028S

(12) **United States Design Patent**
Loeb

(10) **Patent No.:** **US D562,028 S**
(45) **Date of Patent:** **** Feb. 19, 2008**

(54) **MULTIPLE COMPUTER WORKSTATION**

D530,546 S * 10/2006 Muller D6/482

(76) Inventor: **Joseph Loeb**, 6486 State Line Rd.,
Memphis, TN (US) 38141

(**) Term: **14 Years**

(21) Appl. No.: **29/266,388**

(22) Filed: **Sep. 20, 2006**

(51) **LOC (8) Cl.** **06-04**

(52) **U.S. Cl.** **D6/423; D6/482; D6/485**

(58) **Field of Classification Search** D6/422-428,
D6/484, 421, 485, 482; 108/50.01, 50.02,
108/91, 92; 312/194-196, 208.1, 238, 239
See application file for complete search history.

(56) **References Cited**

U.S. PATENT DOCUMENTS

- D101,102 S * 9/1936 Bower D6/422
- D132,947 S * 7/1942 Banks D6/423
- D165,584 S * 1/1952 Johnson D6/482
- D166,377 S * 4/1952 Curtis D6/477
- D254,994 S * 5/1980 Miereanu et al. D30/106

OTHER PUBLICATIONS

Interiors Jan. 1971, p. 6, table at far right and 2nd from top.*
* cited by examiner

Primary Examiner—Janice E. Seeger
(74) *Attorney, Agent, or Firm*—Advantage IP Law Firm

(57) **CLAIM**

The ornamental design for a multiple computer workstation,
as shown and described.

DESCRIPTION

FIG. 1 is a perspective view illustrating my new design;
FIG. 2 is a top view, in enlarged scale, thereof;
FIG. 3 is a bottom view, in enlarged scale, thereof;
FIG. 4 is a front view, in enlarged scale, thereof;
FIG. 5 is a rear view, in enlarged scale, thereof;
FIG. 6 is a right side view, in enlarged scale, thereof; and,
FIG. 7 is a left side view, in enlarged scale, thereof.

1 Claim, 4 Drawing Sheets





FIG. 1

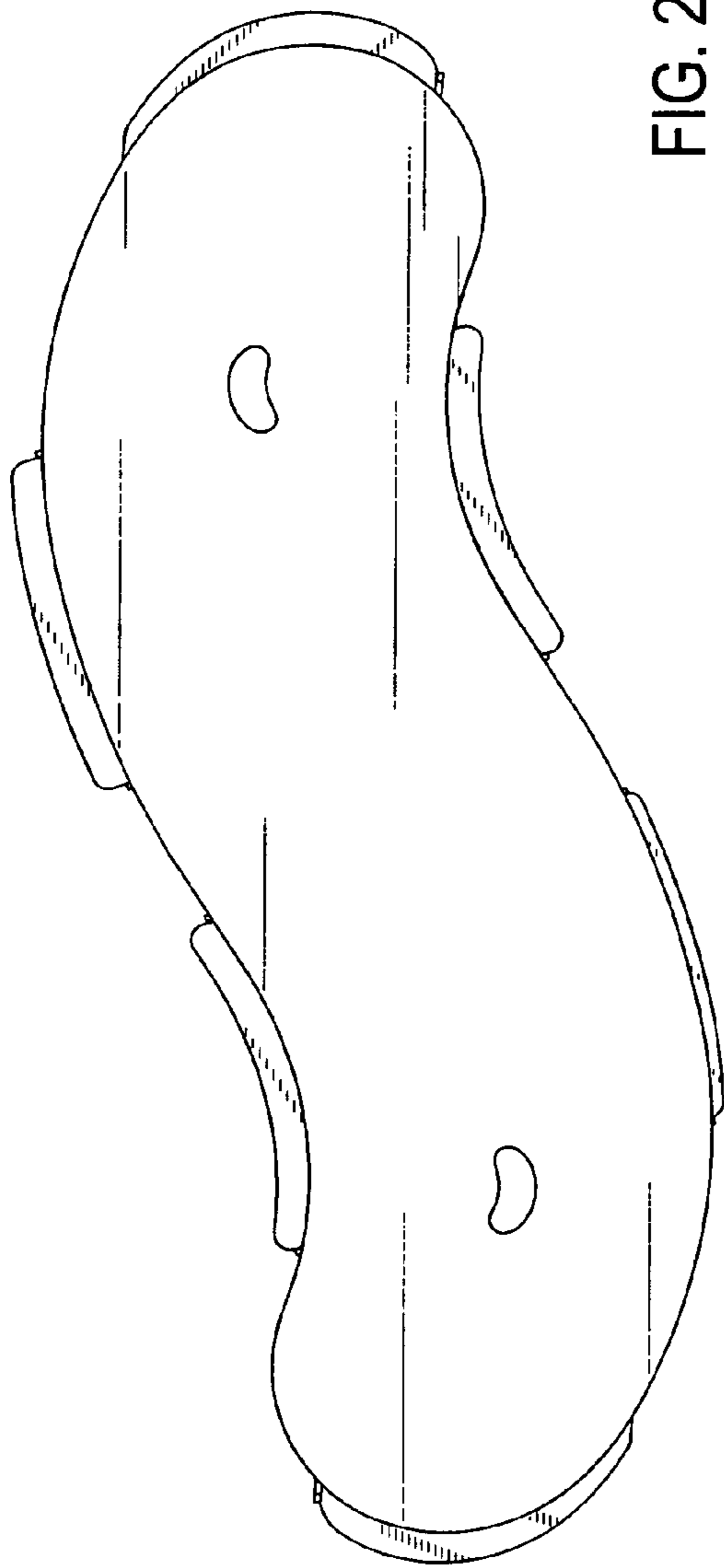


FIG. 2

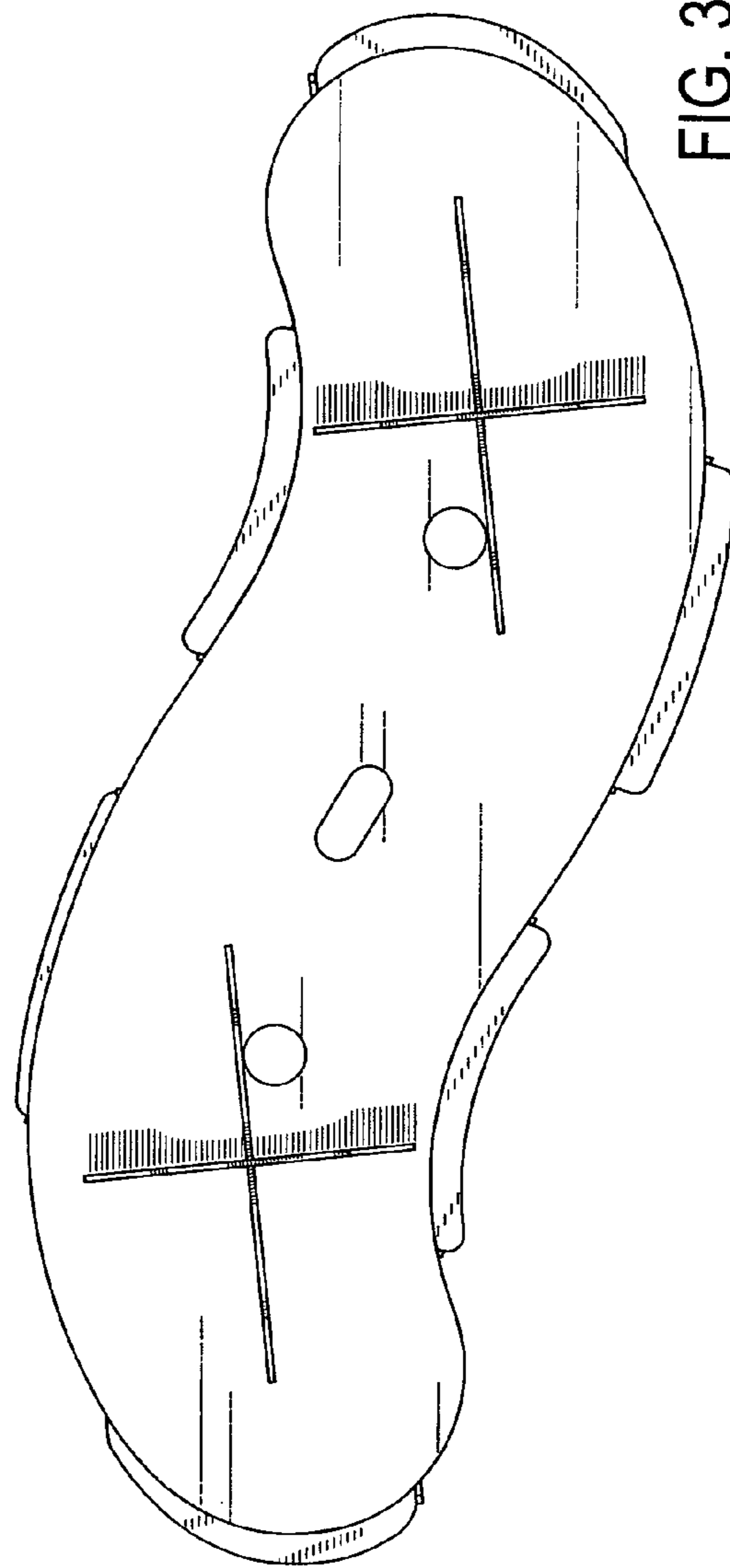


FIG. 3

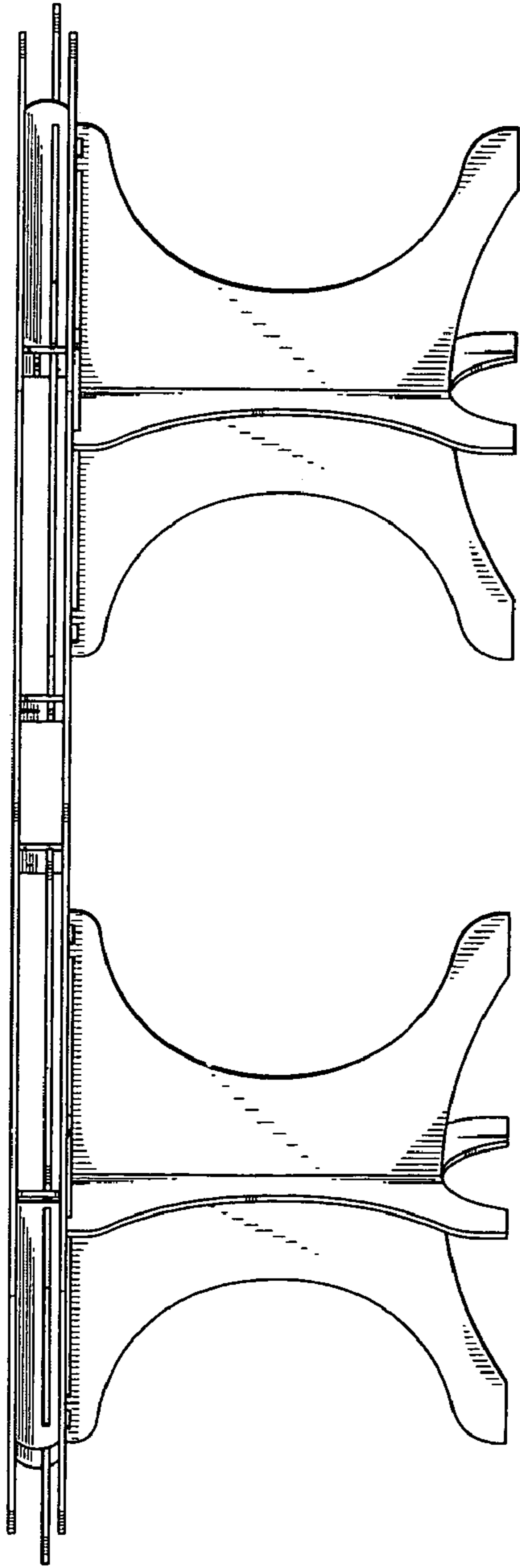


FIG. 4

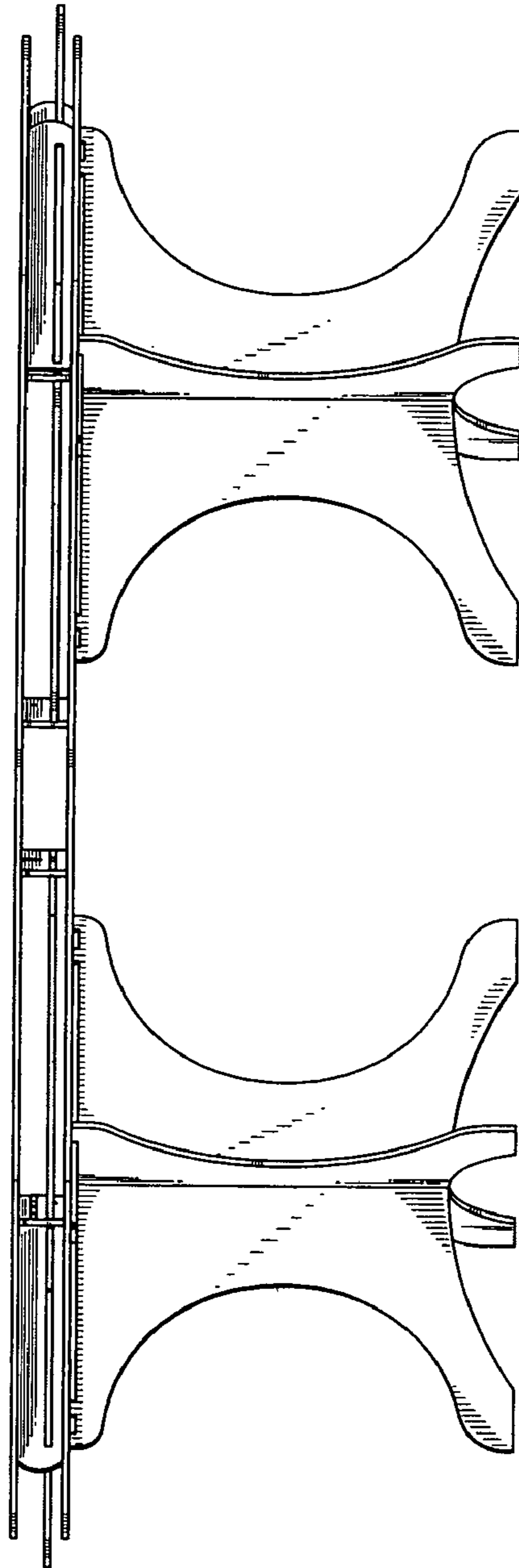


FIG. 5

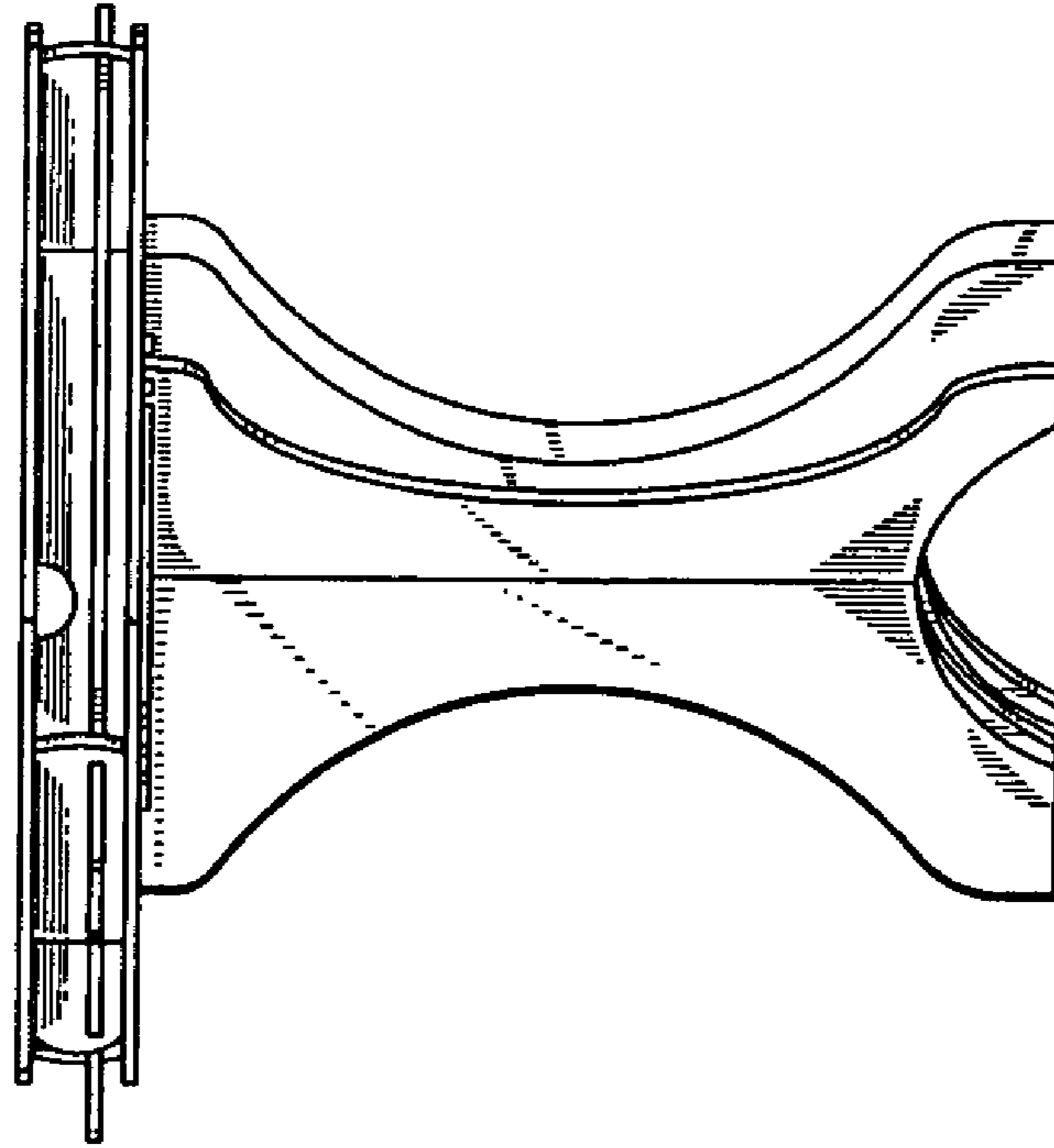


FIG. 6

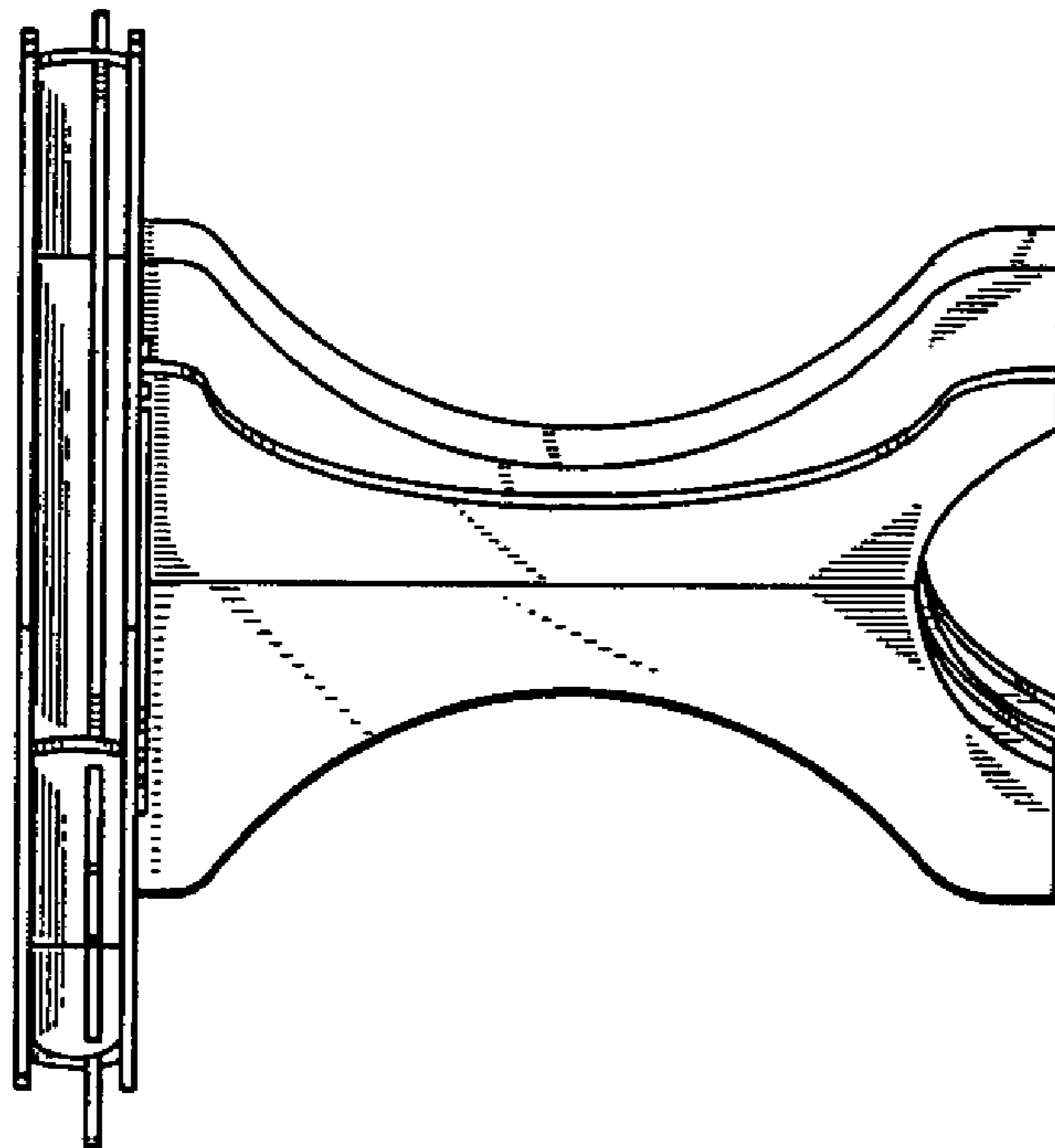


FIG. 7