



US00D562024S

(12) **United States Design Patent**  
**Bellini**

(10) **Patent No.:** **US D562,024 S**

(45) **Date of Patent:** **\*\* Feb. 19, 2008**

- (54) **BED**
- (75) Inventor: **Mario Bellini**, Milan (IT)
- (73) Assignee: **Flou S.p.A.**, Meda (MI) (IT)
- (\*\*) Term: **14 Years**
- (21) Appl. No.: **29/249,299**
- (22) Filed: **Sep. 29, 2006**

- D443,998 S \* 6/2001 Leon et al. .... D6/393
- D450,471 S \* 11/2001 Dordoni ..... D6/393
- D507,894 S \* 8/2005 Juneau et al. .... D6/393
- D517,342 S \* 3/2006 O'Hare ..... D6/393

\* cited by examiner

*Primary Examiner*—Janice E. Seeger  
(74) *Attorney, Agent, or Firm*—Mintz, Levin, Cohn, Ferris, Glovsky and Popeo, P.C.; David F. Crosby

(30) **Foreign Application Priority Data**

Apr. 3, 2006 (EM) ..... 000506589

- (51) **LOC (8) Cl.** ..... **06-01**
- (52) **U.S. Cl.** ..... **D6/393**
- (58) **Field of Classification Search** ..... D6/382–384,  
D6/388, 389, 393–395, 505–508; 5/53.1,  
5/279.1, 280, 281, 310, 414, 907  
See application file for complete search history.

(57) **CLAIM**

I claim the ornamental design for a bed, as shown and described.

(56) **References Cited**

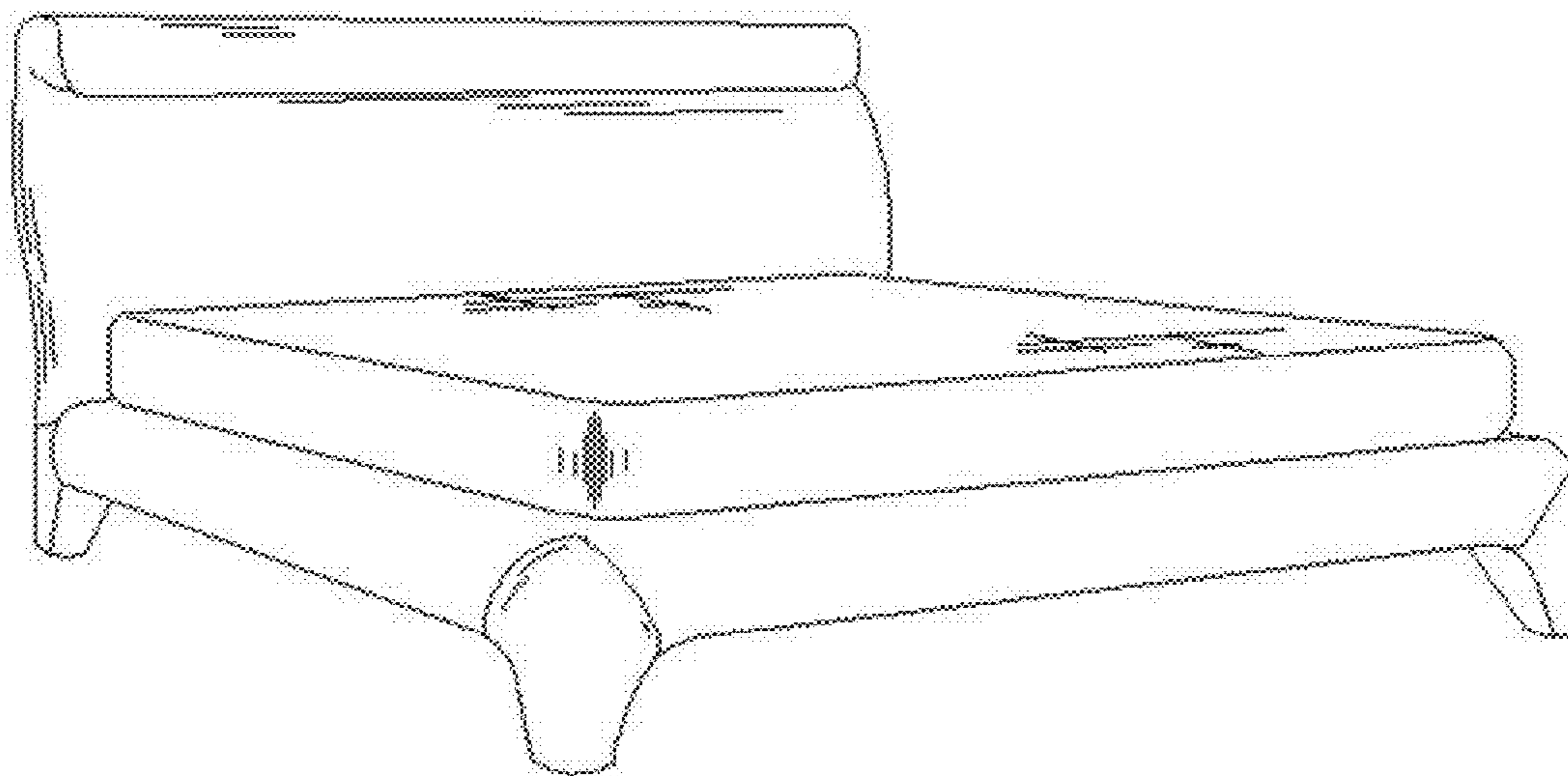
**U.S. PATENT DOCUMENTS**

- D209,899 S \* 1/1968 Ikeda ..... D6/393
- D279,439 S \* 7/1985 Offredi ..... D6/393
- D417,973 S \* 12/1999 Lacroix et al. .... D6/393

**DESCRIPTION**

- FIG. 1 is a perspective view of a bed;
- FIG. 2 is a left side view of a bed;
- FIG. 3 is a right side view of a bed;
- FIG. 4 is a top view of a bed;
- FIG. 5 is a bottom view of a bed;
- FIG. 6 is a front view of a bed; and,
- FIG. 7 is a back view of a bed.

**1 Claim, 2 Drawing Sheets**



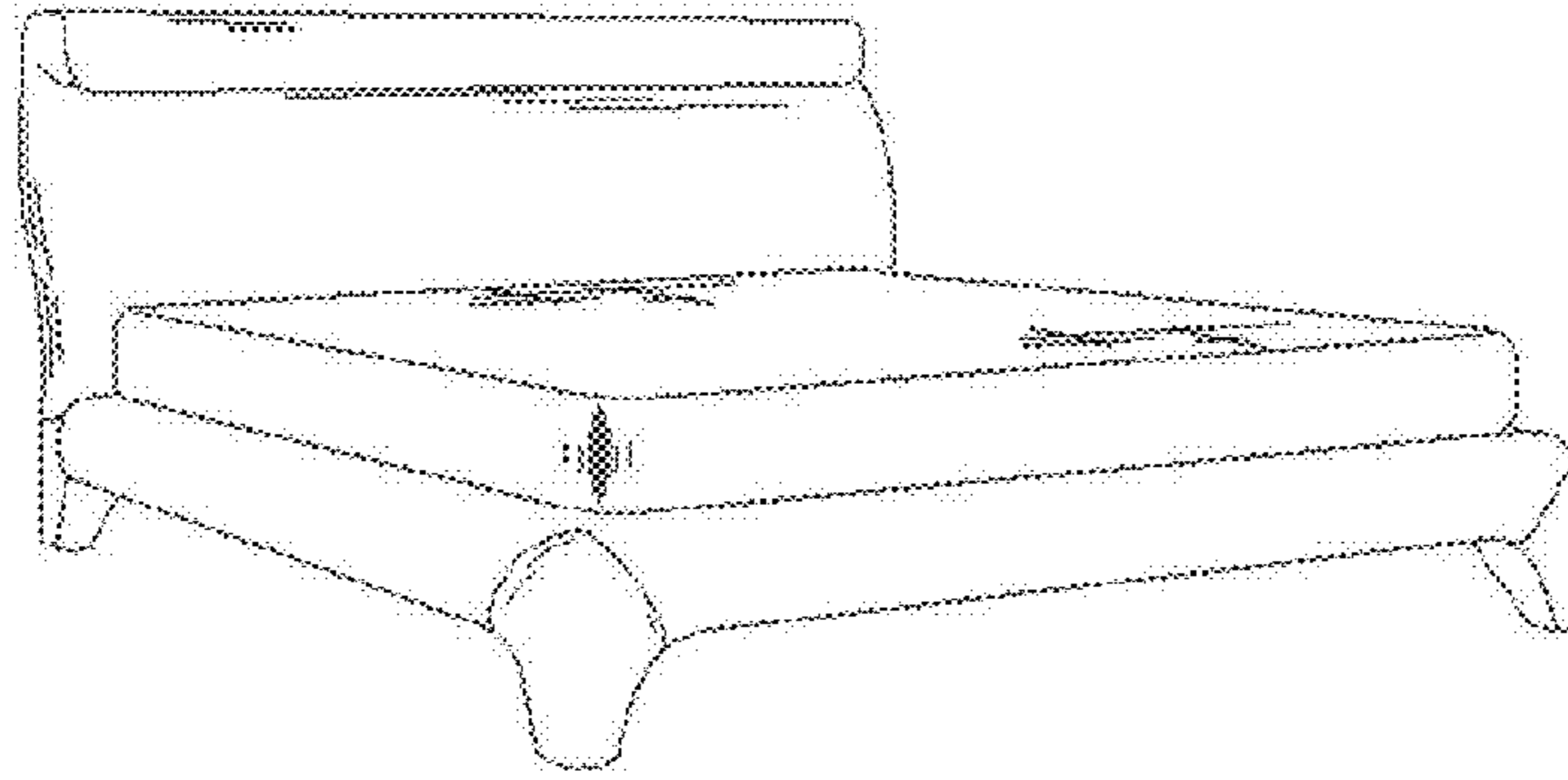


Fig. 1

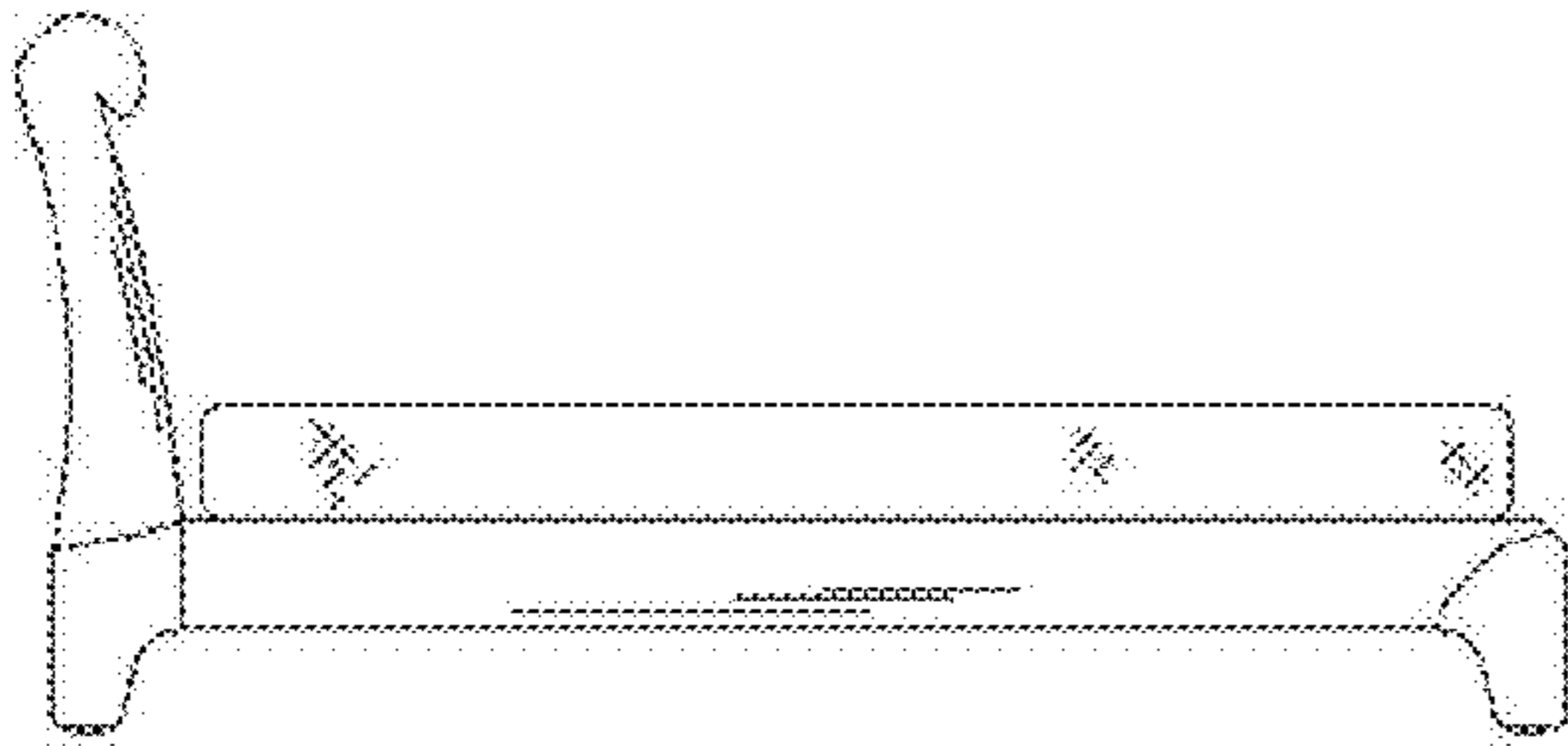


Fig. 2

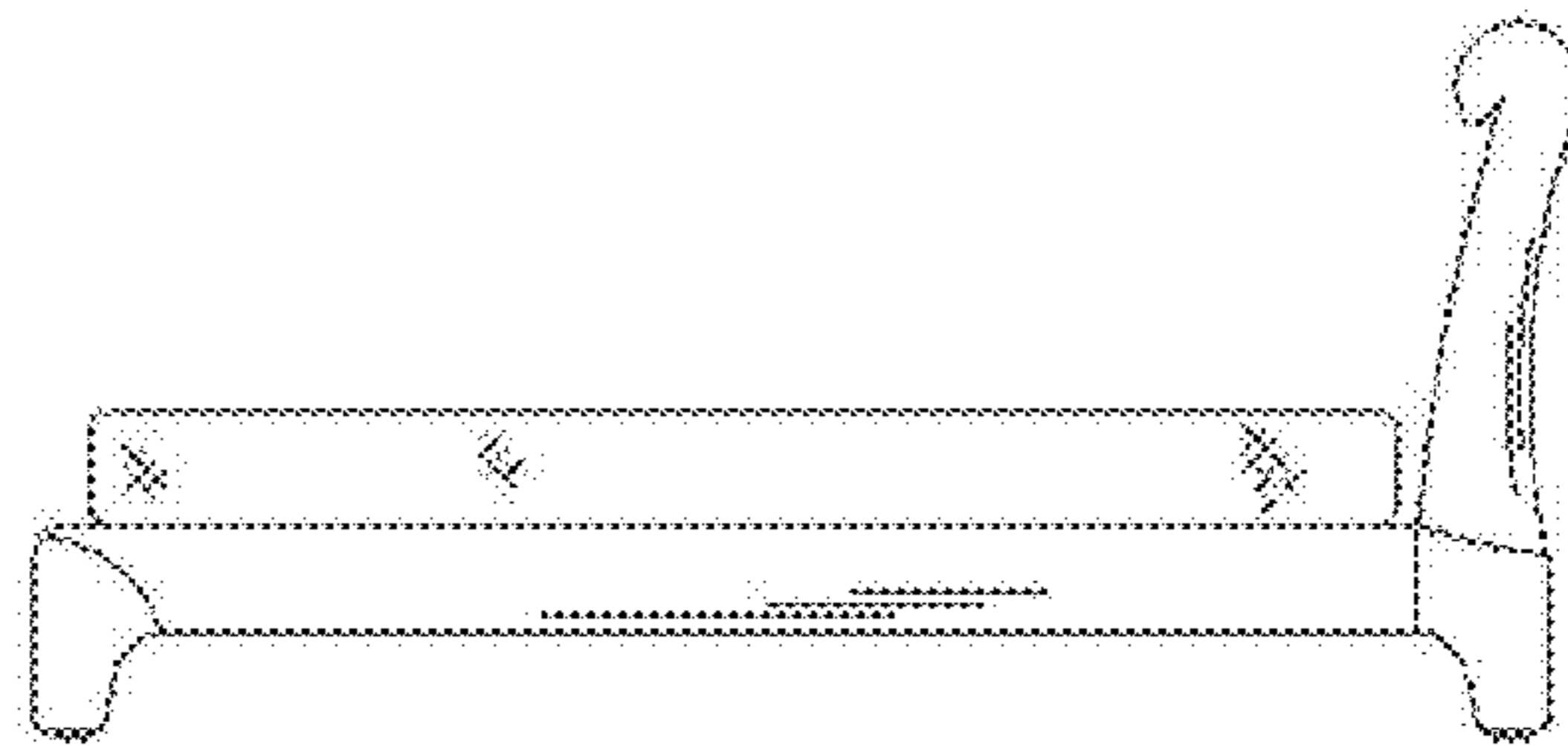


Fig. 3

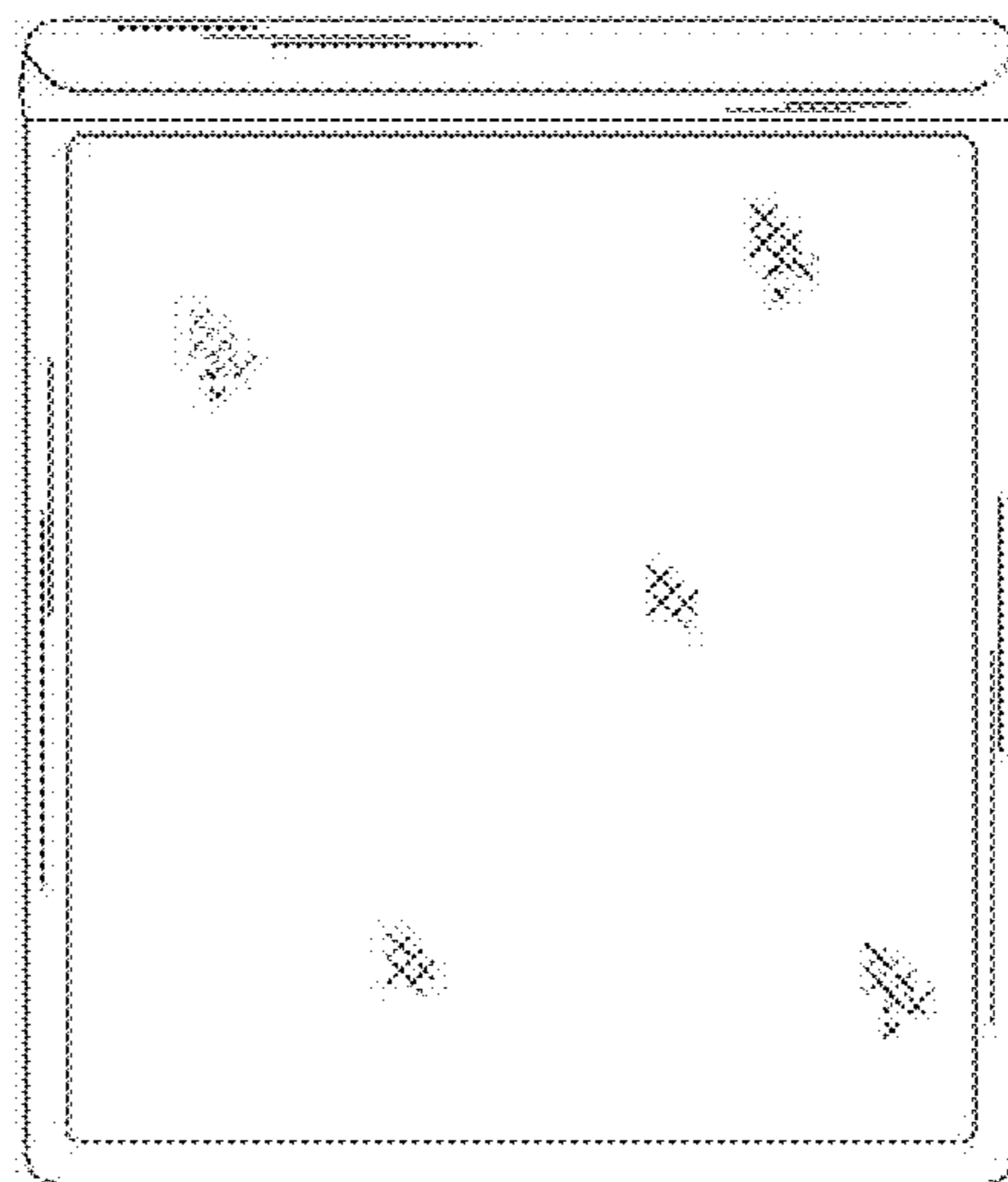


Fig. 4

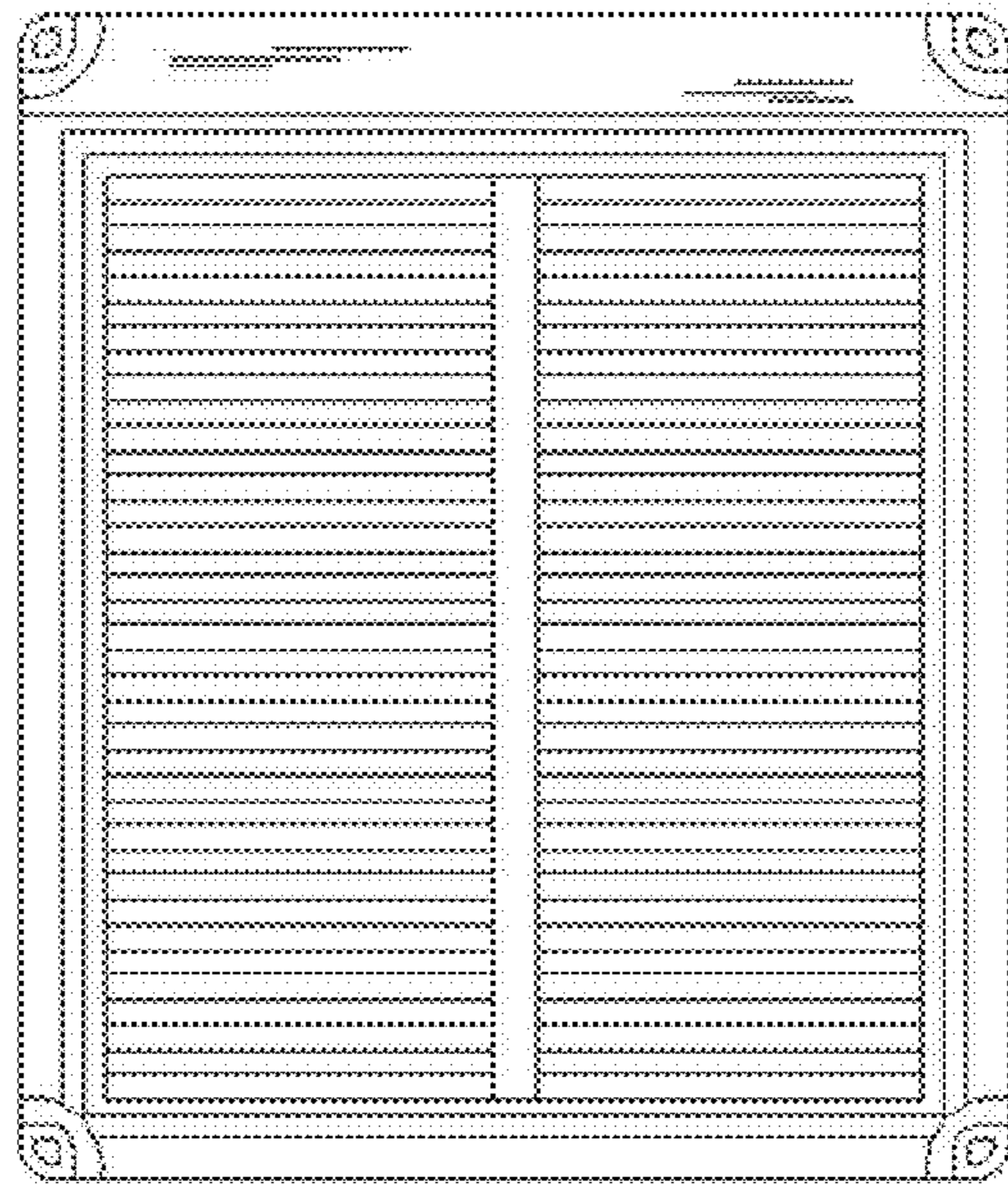


Fig. 5

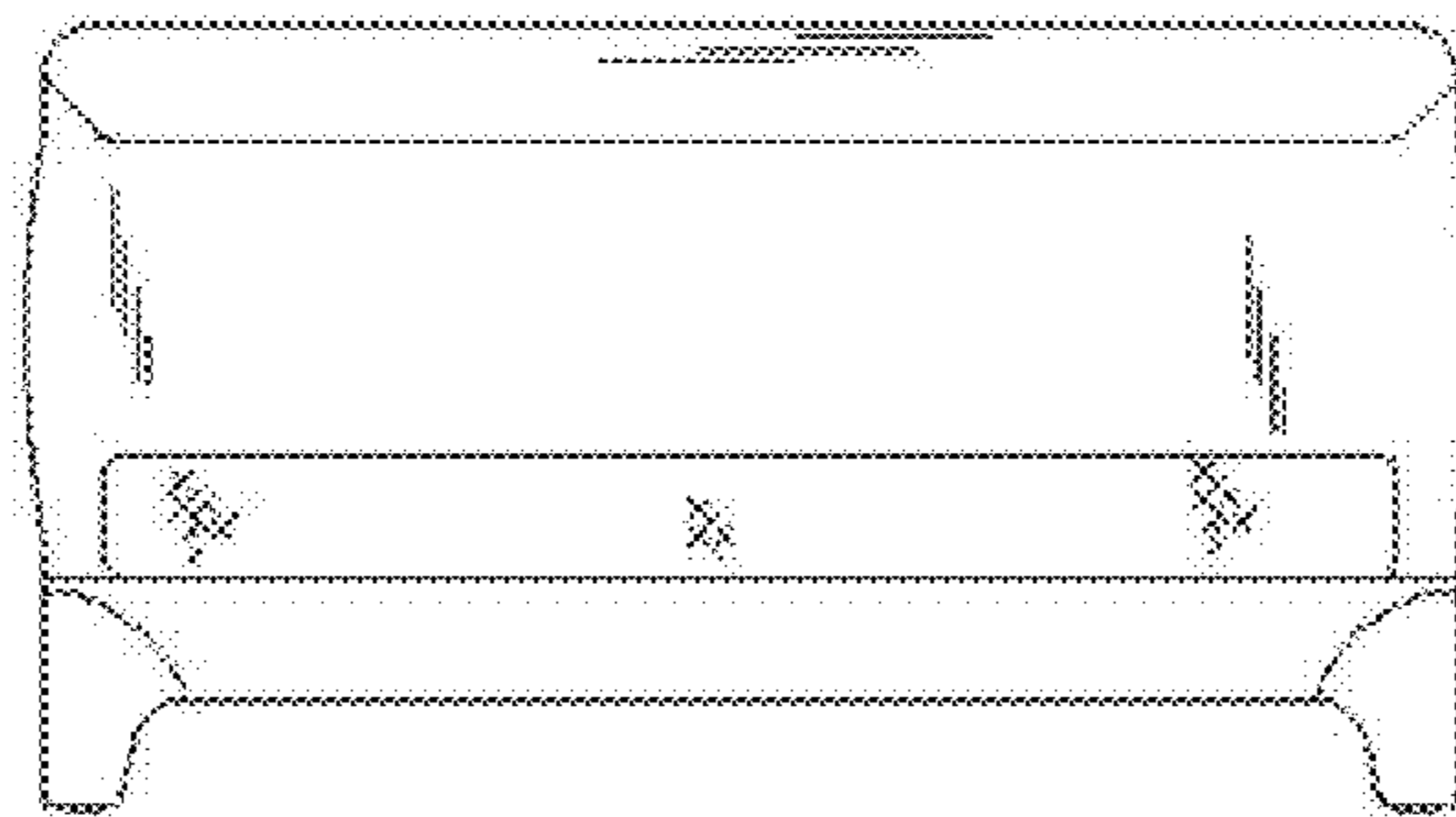


Fig. 6

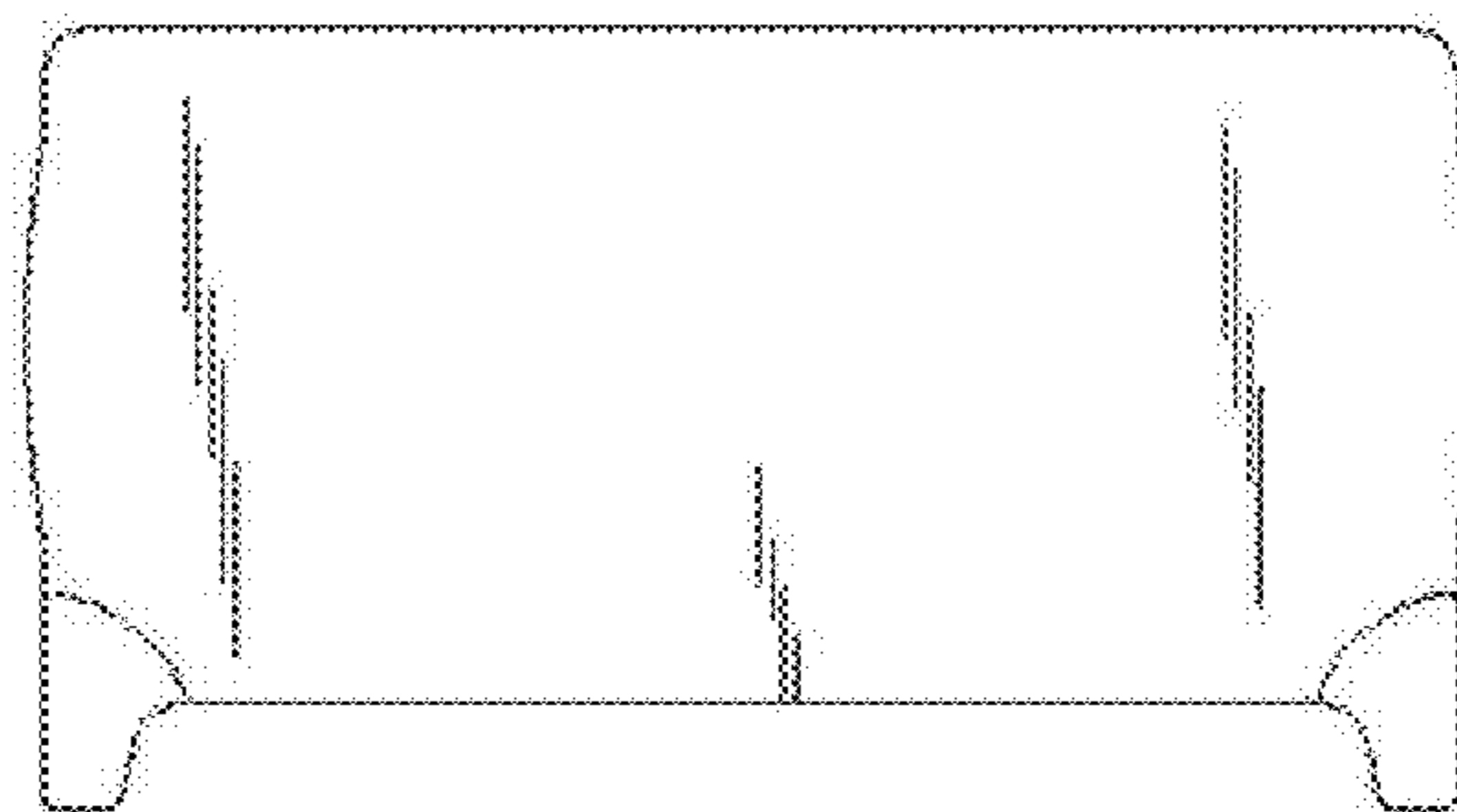


Fig. 7