



US00D562022S

(12) **United States Design Patent**
Hackethal et al.

(10) **Patent No.:** **US D562,022 S**

(45) **Date of Patent:** **** Feb. 19, 2008**

(54) **DAYBED**

(75) Inventors: **Dorotheé Hackethal**, Köln (DE);
André Wilps, Pulheim (DE)

(73) Assignee: **lc Lead Communications GmbH & Co. KG**, Köln (DE)

(**) Term: **14 Years**

(21) Appl. No.: **29/275,337**

(22) Filed: **Dec. 21, 2006**

(30) **Foreign Application Priority Data**

Sep. 13, 2006 (DE) 4 06 04 724

(51) **LOC (8) Cl.** **06-01**

(52) **U.S. Cl.** **D6/381**

(58) **Field of Classification Search** D6/334-337,
D6/346, 377, 381, 361, 500-502; 297/232,
297/445.1; 5/12.1, 12.2

See application file for complete search history.

(56) **References Cited**

U.S. PATENT DOCUMENTS

159,771	A *	2/1875	Burnitz	340/293
2,217,426	A *	10/1940	Zareko	297/117
D158,492	S *	5/1950	Mont	D6/336
D210,454	S *	3/1968	Kagan	D6/374
D225,704	S *	1/1973	Geddings	D6/361
D234,731	S *	4/1975	McDonald	D6/371
D239,580	S *	4/1976	Robertson	D6/381
3,973,800	A *	8/1976	Kogan	297/440.23
4,026,567	A *	5/1977	Rye	297/448.1
D255,513	S *	6/1980	Collins	D6/377
4,437,704	A *	3/1984	Hovsepian	297/440.17
D288,507	S *	3/1987	Evans	D6/384
D310,143	S *	8/1990	Hopfer	D6/381
D321,797	S *	11/1991	Paris	D6/381
D378,028	S *	2/1997	Schefcik	D6/334

D406,473	S *	3/1999	Lin et al.	D6/361
D427,445	S *	7/2000	Gomez	D6/377
D446,039	S *	8/2001	Gomez	D6/381
D448,196	S *	9/2001	Gomez	D6/377
D484,712	S *	1/2004	Gomez	D6/377
D484,713	S *	1/2004	Gomez	D6/381
D504,034	S *	4/2005	Higgs et al.	D6/381
D508,615	S *	8/2005	Natuzzi	D6/361
D514,349	S *	2/2006	Natuzzi	D6/381
7,020,911	B2 *	4/2006	Oldham	5/12.2
D534,007	S *	12/2006	Nicoletti	D6/381
D536,190	S *	2/2007	Oldham	D6/381
D538,054	S *	3/2007	Lissoni	D6/334
D542,565	S *	5/2007	Roos et al.	D6/382
2002/0000741	A1 *	1/2002	Clay et al.	297/118

OTHER PUBLICATIONS

Petit Comfort Sofa, the Cube Collection of Le Corbusier, 1927.*

* cited by examiner

Primary Examiner—Sandra Snapp

(74) *Attorney, Agent, or Firm*—Richard M. Klein; Fay Sharpe LLP

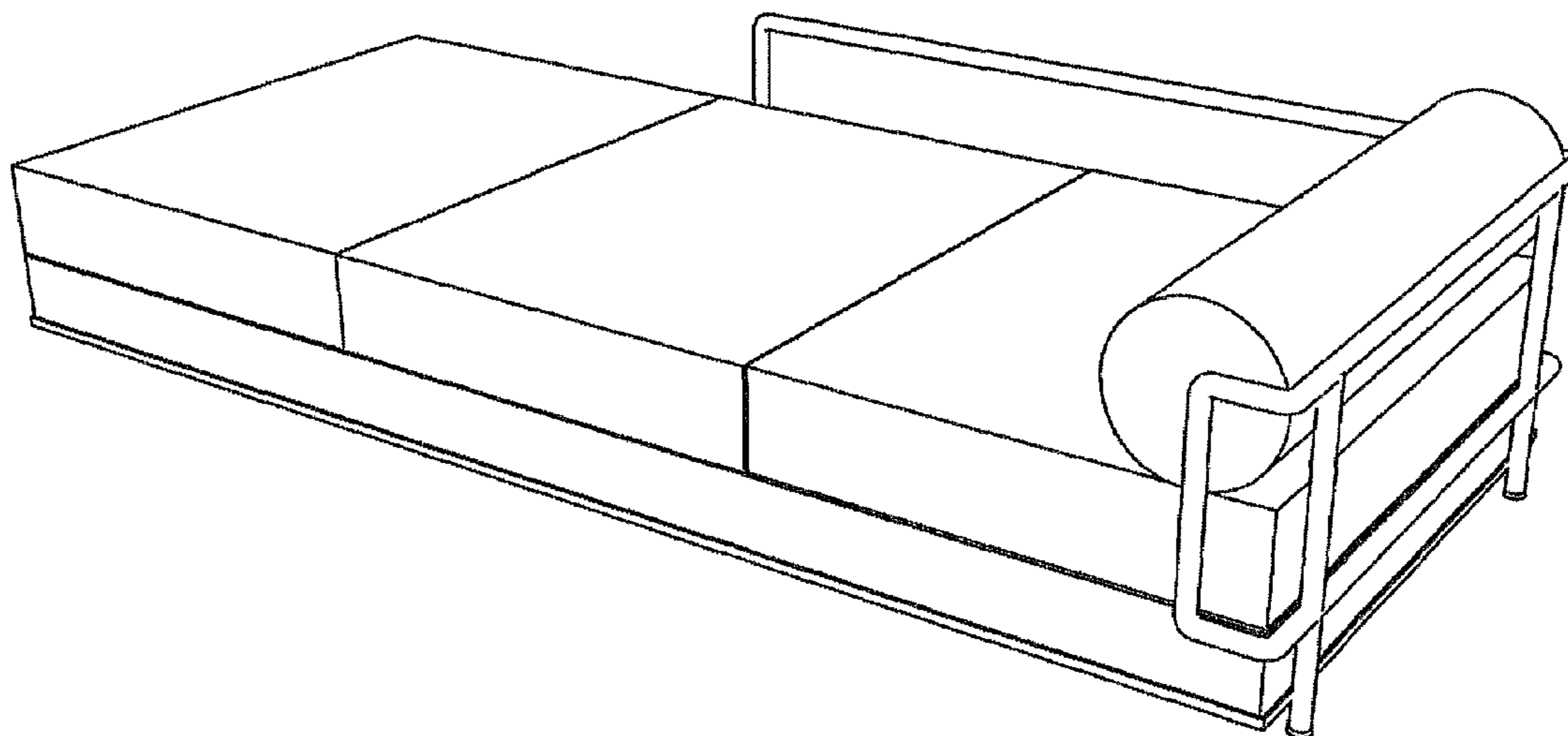
(57) **CLAIM**

The ornamental design for a daybed, as shown and described.

DESCRIPTION

FIG. 1 is a perspective view of a daybed;
 FIG. 2 is a front view of the daybed of FIG. 1;
 FIG. 3 is a right side view of the daybed of FIG. 1;
 FIG. 4 is a left side view of the daybed of FIG. 1;
 FIG. 5 is a back view of the daybed of FIG. 1;
 FIG. 6 is a top view of the daybed of FIG. 1; and,
 FIG. 7 is a bottom view of the daybed of FIG. 1.

1 Claim, 3 Drawing Sheets



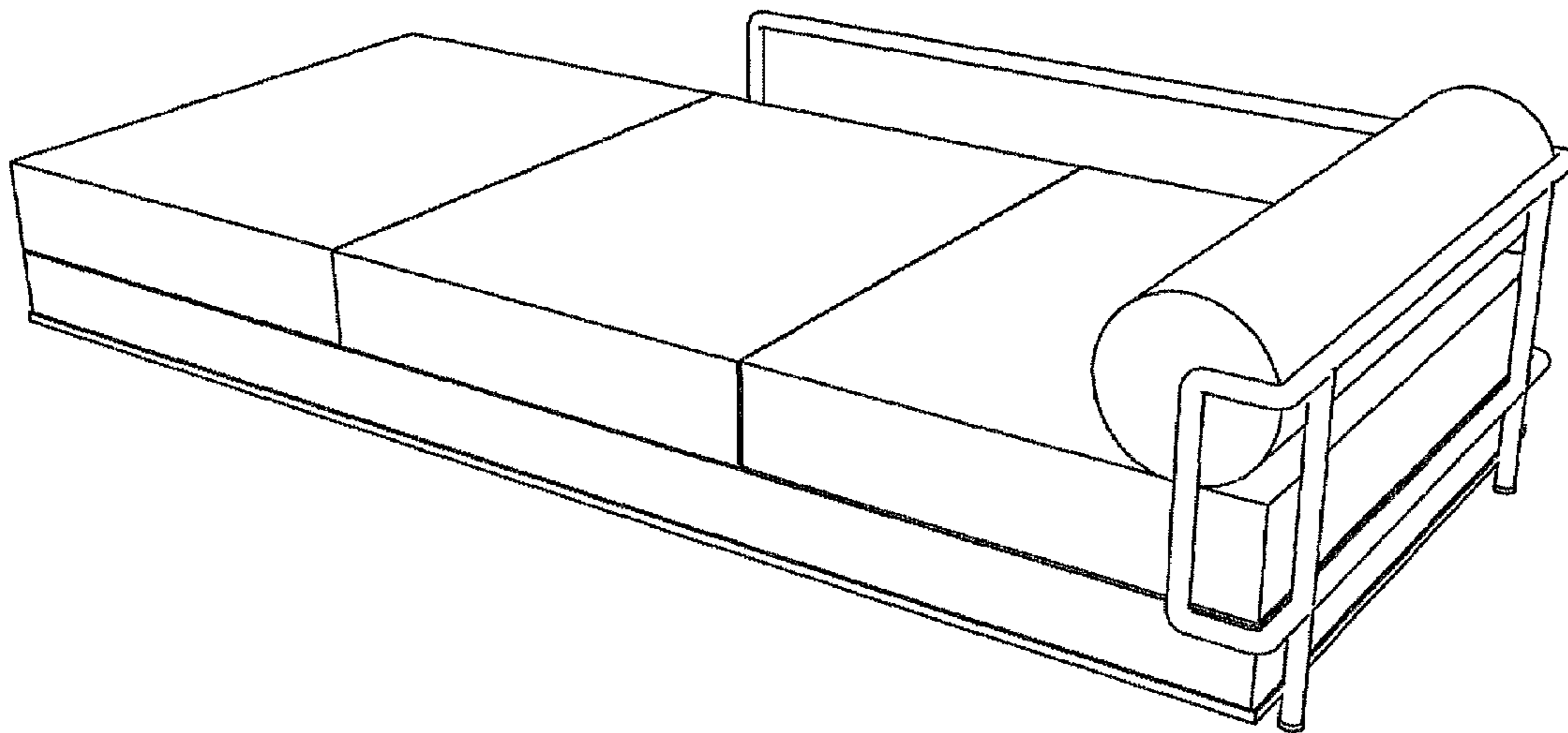


Fig. 1

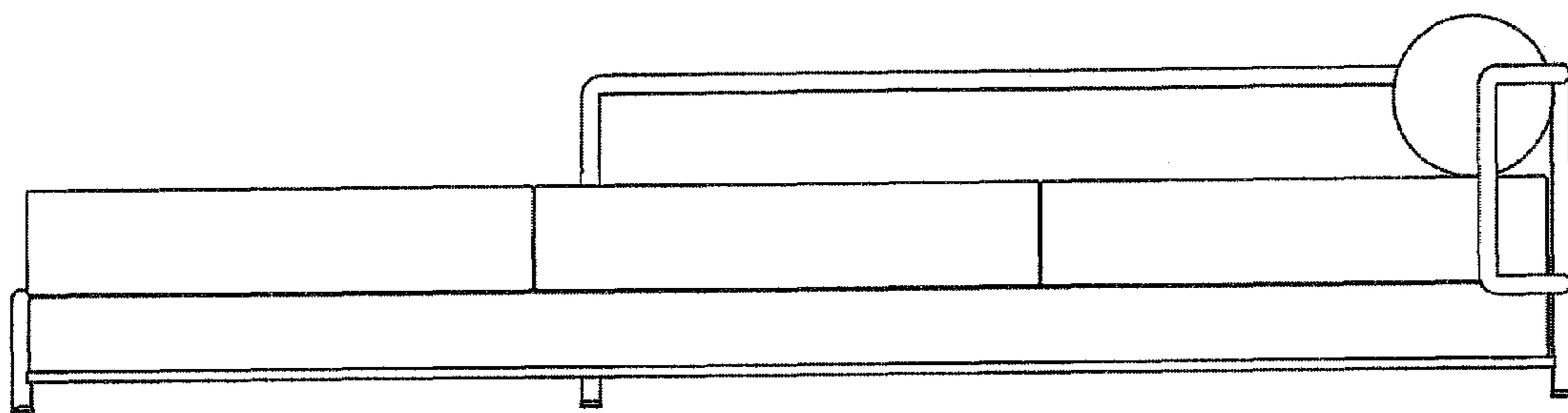


Fig. 2

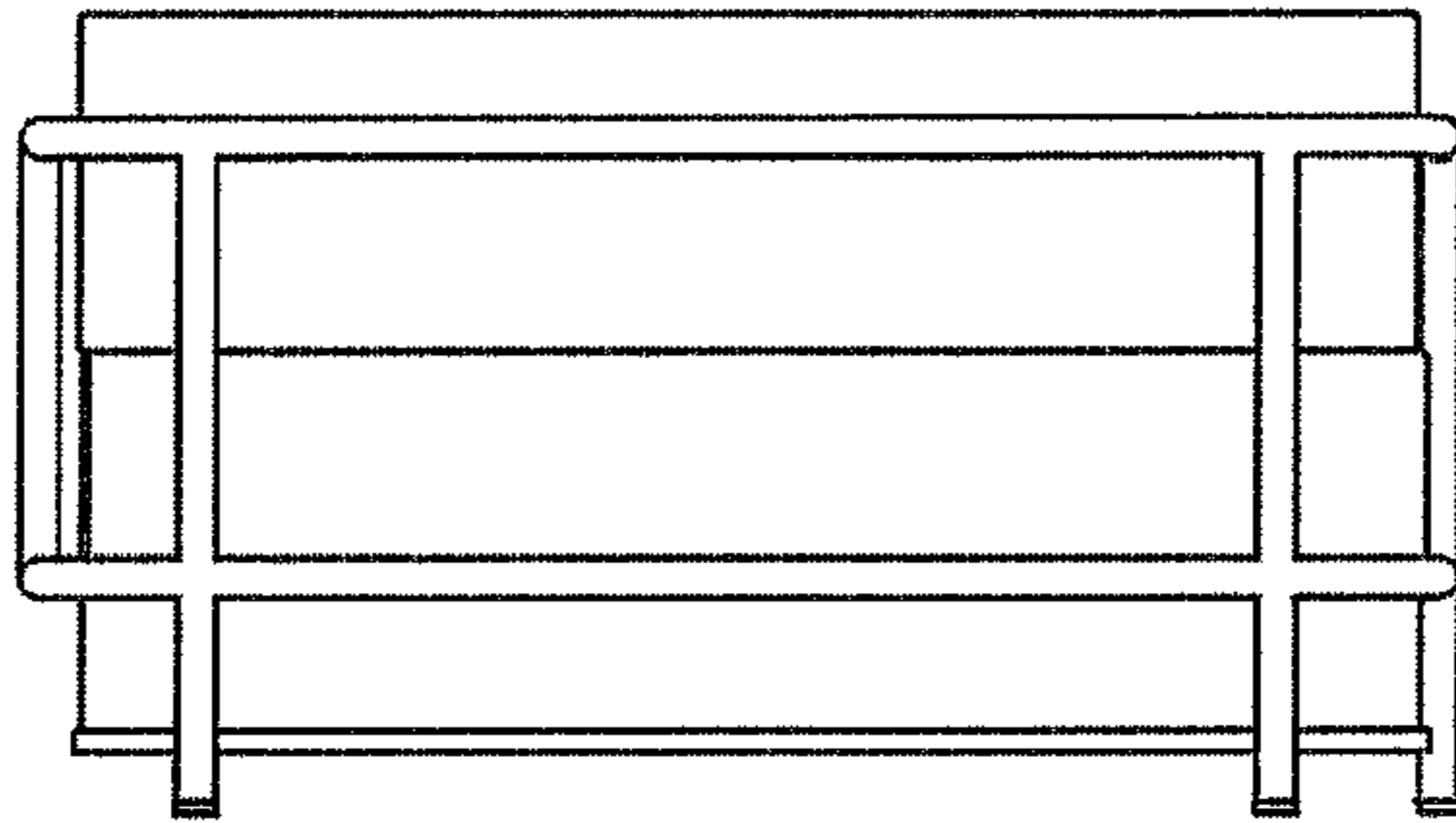


Fig. 3

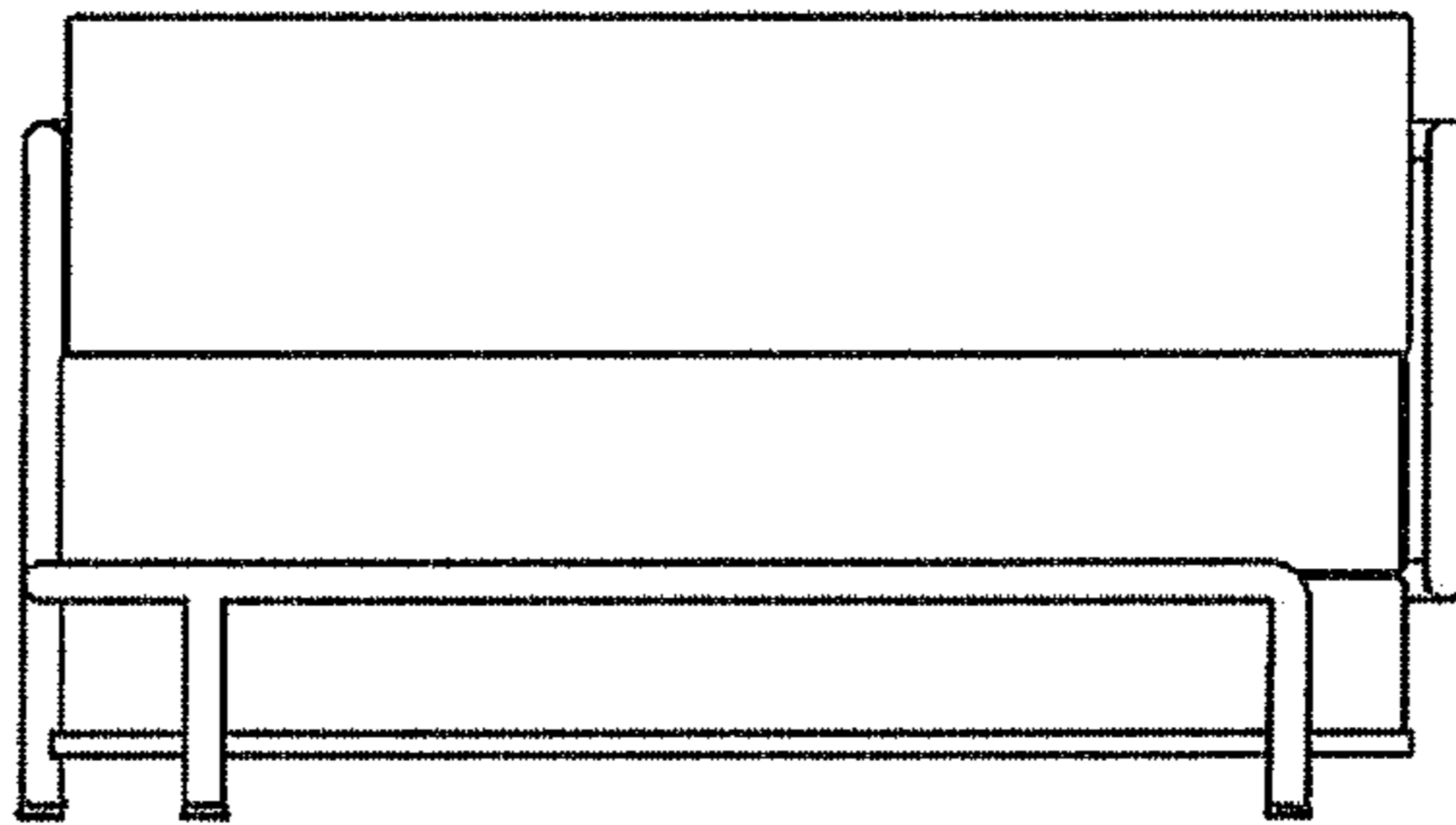


Fig. 4

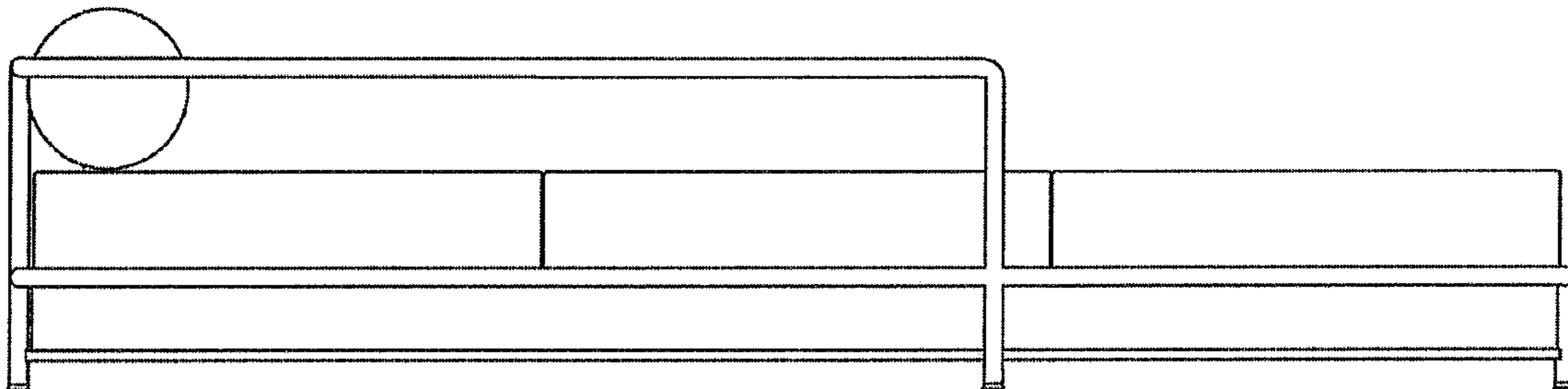


Fig. 5

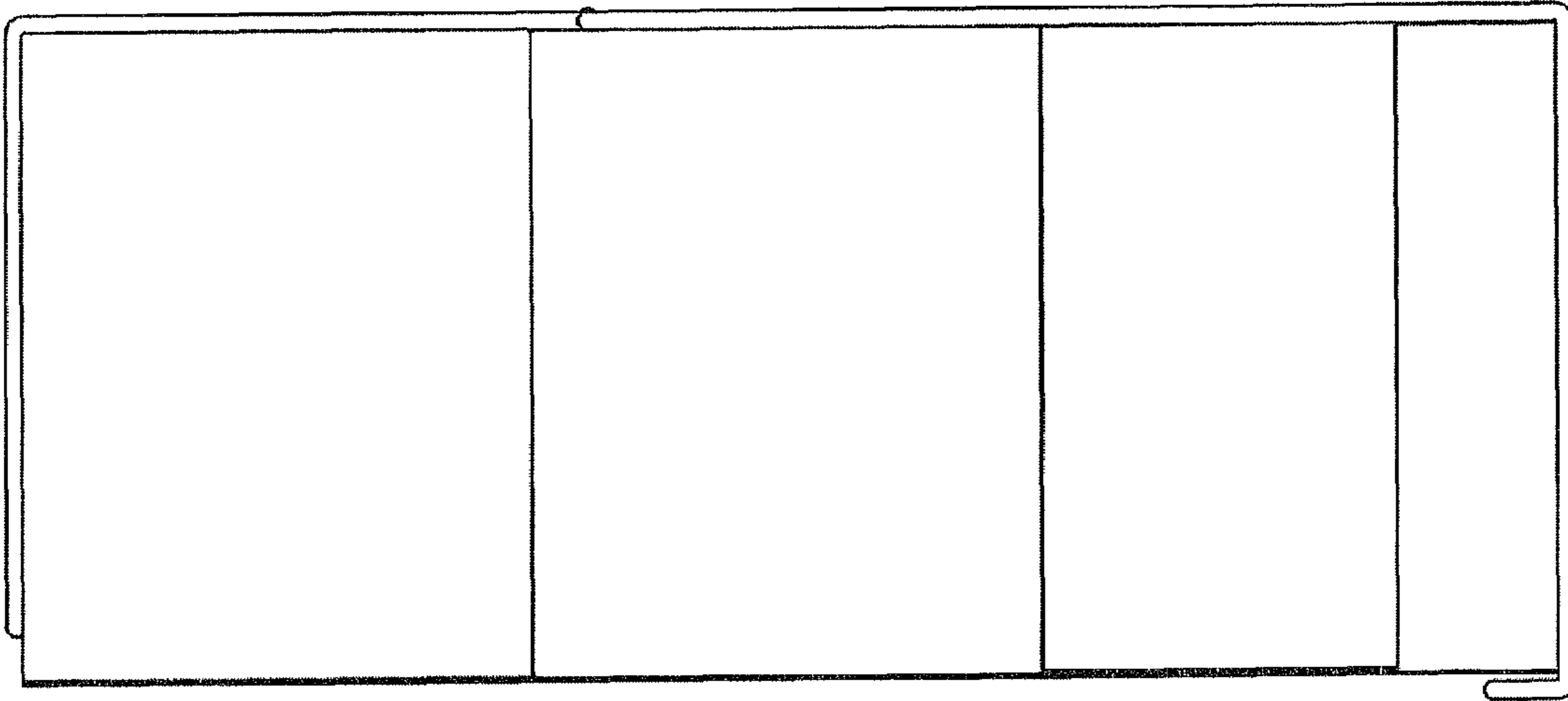


Fig. 6

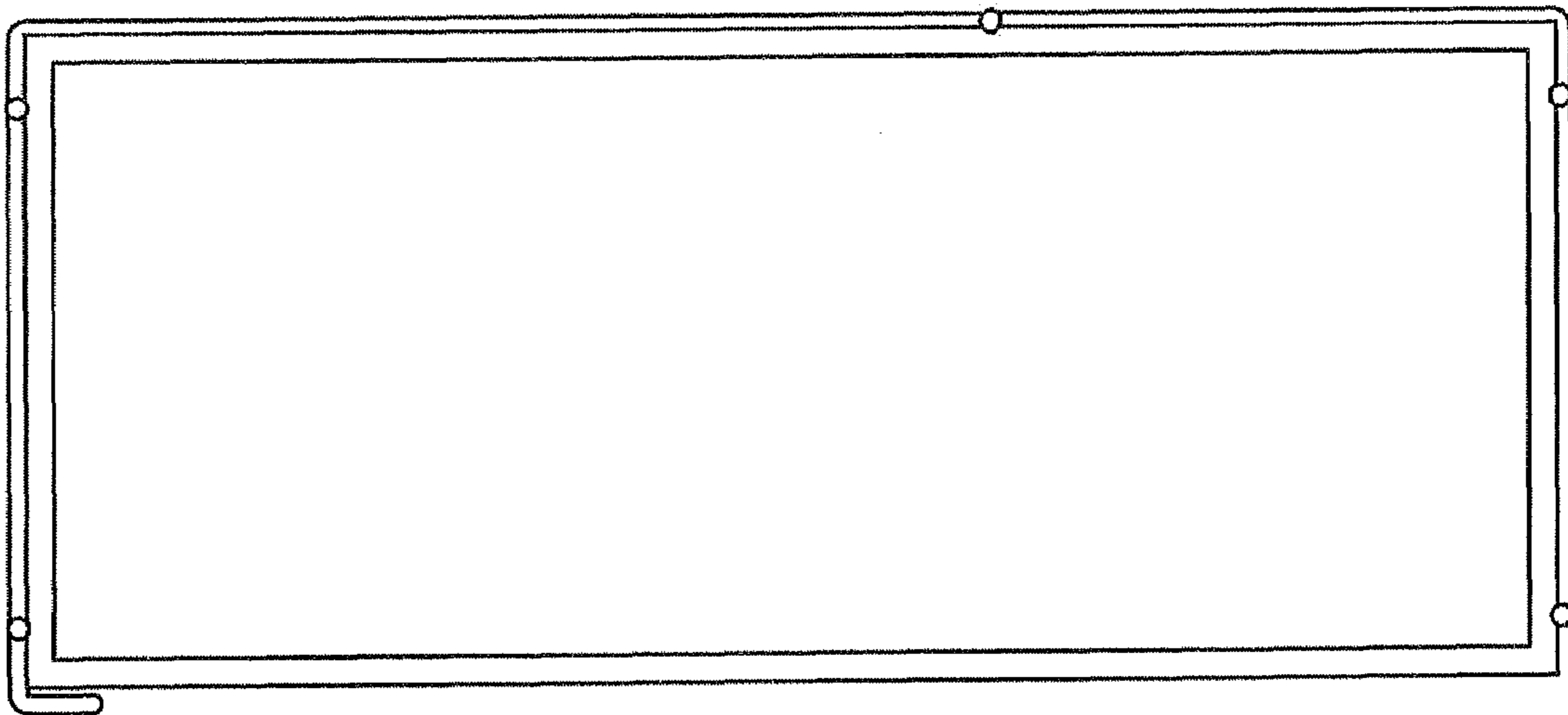


Fig. 7