



US00D562021S

(12) **United States Design Patent**
Smith et al.

(10) **Patent No.:** **US D562,021 S**
(45) **Date of Patent:** **** Feb. 19, 2008**

(54) **OUTDOOR SECTIONAL COUCH AND SECTIONS OF OUTDOOR SECTIONAL COUCH**

(75) Inventors: **Jeremy A. Smith**, Gardiner, NY (US);
Staci Mandrell, Atlanta, GA (US)

(73) Assignee: **Arthur Lauer, Inc.**, Gardiner, NY (US)

(**) Term: **14 Years**

(21) Appl. No.: **29/273,876**

(22) Filed: **Mar. 15, 2007**

(51) **LOC (8) Cl.** **06-01**

(52) **U.S. Cl.** **D6/381**

(58) **Field of Classification Search** D6/349–353,
D6/355, 364, 484, 334, 500–502, 381, 369,
D6/376, 495; 297/232–233, 445.1, 446.1,
297/184.1; 5/15.1

See application file for complete search history.

(56) **References Cited**

U.S. PATENT DOCUMENTS

D212,602 S * 11/1968 Gera D6/335

(Continued)

OTHER PUBLICATIONS

Sectional sofa in Avedon ad, 4 pgs.*

Primary Examiner—Sandra Snapp

(74) *Attorney, Agent, or Firm*—Frank H. Foster; Kremblas,
Foster, Phillips & Pollick

(57) **CLAIM**

The ornamental design for an outdoor sectional couch and sections of outdoor sectional couch, as shown and described.

DESCRIPTION

FIG. 1 is a front perspective view of an L-configured sectional couch showing my new design.

FIG. 2 is a rear perspective view thereof.

FIG. 3 is a front elevational view thereof.

FIG. 4 is a right side elevational view thereof.

FIG. 5 is a left side elevational view thereof.

FIG. 6 is a rear elevational view thereof.

FIG. 7 is a top plan view thereof.

FIG. 8 is a front perspective view of a U-configured sectional couch showing my new design.

FIG. 9 is a front elevational view thereof.

FIG. 10 is a right side elevational view thereof.

FIG. 11 is a left side elevational view thereof.

FIG. 12 is a rear elevational view thereof.

FIG. 13 is a bottom view thereof and includes bottom views of the individual couch sections illustrated herein.

FIG. 14 is a top plan view thereof.

FIG. 15 is a front-right perspective view of a right end section of a couch showing my new design.

FIG. 16 is a front-left perspective view thereof.

FIG. 17 is a front elevational view thereof.

FIG. 18 is a left side elevational view thereof.

FIG. 19 is a right side elevational view thereof.

FIG. 20 is a top plan view thereof.

FIG. 21 is a rear elevational view thereof.

FIG. 22 is a front-right perspective view of a left end section of a couch showing my new design, the left end section being a mirror image of the right end section, the two sections being symmetrical about a vertical plane extending in the front-rear direction.

FIG. 23 is a front-left perspective view thereof.

FIG. 24 is a rear perspective view thereof.

FIG. 25 is a front perspective view of an armless, intermediate section of a couch showing my new design.

FIG. 26 is a front elevational view thereof.

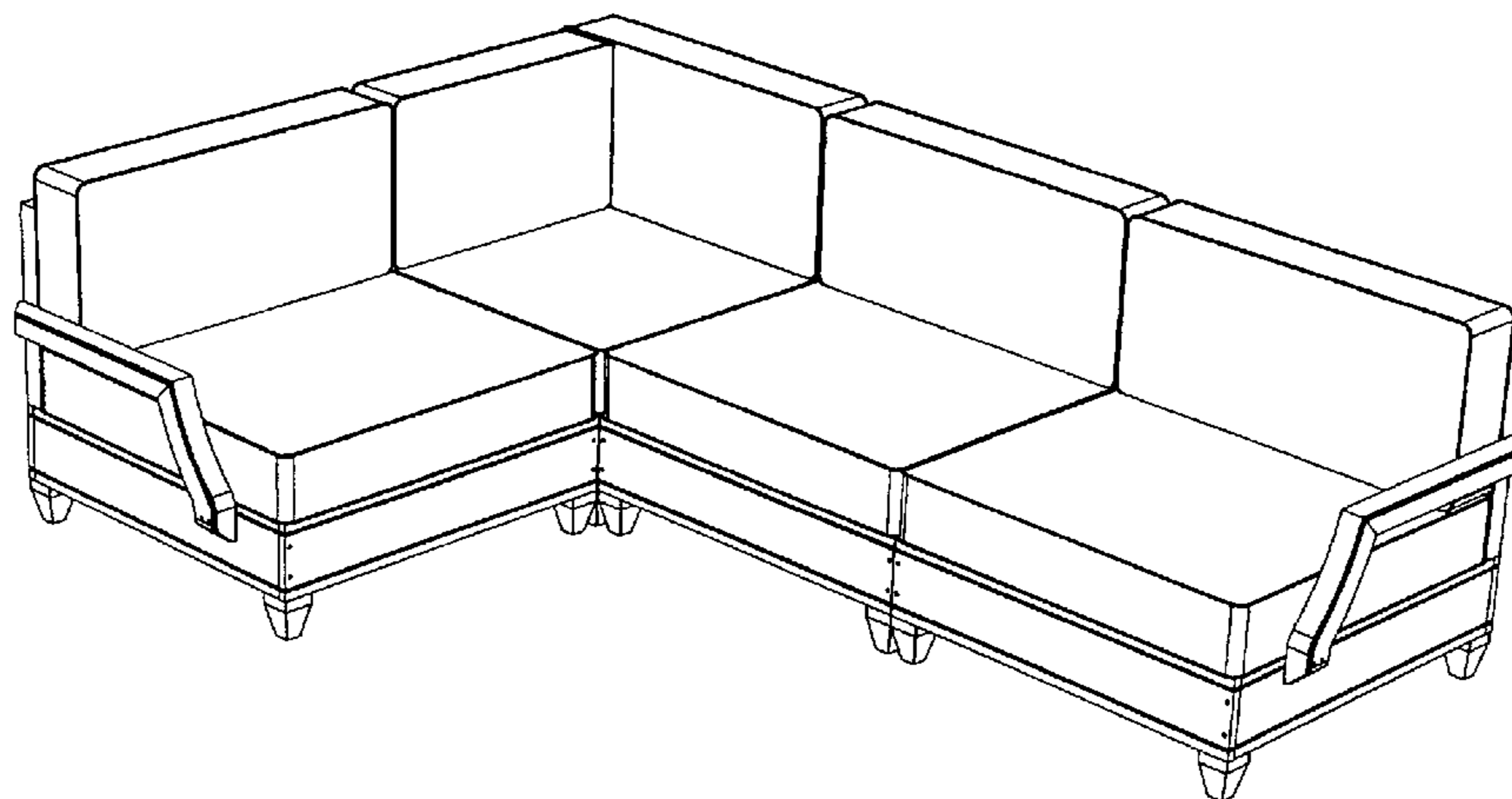
FIG. 27 is a left side elevational view thereof.

FIG. 28 is a right side elevational view thereof.

FIG. 29 is a top plan view thereof; and,

FIG. 30 is a rear elevational view thereof.

1 Claim, 13 Drawing Sheets



US D562,021 S

Page 2

U.S. PATENT DOCUMENTS

D217,963 S	*	7/1970	Rosett	D6/336	
D245,951 S	*	10/1977	Lande	D6/336	
D282,886 S	*	3/1986	Williams	D6/336	
						* cited by examiner
D365,450 S	*	12/1995	Schweiger	D6/336	
D537,264 S	*	2/2007	Warren	D6/381	

Fig. 1

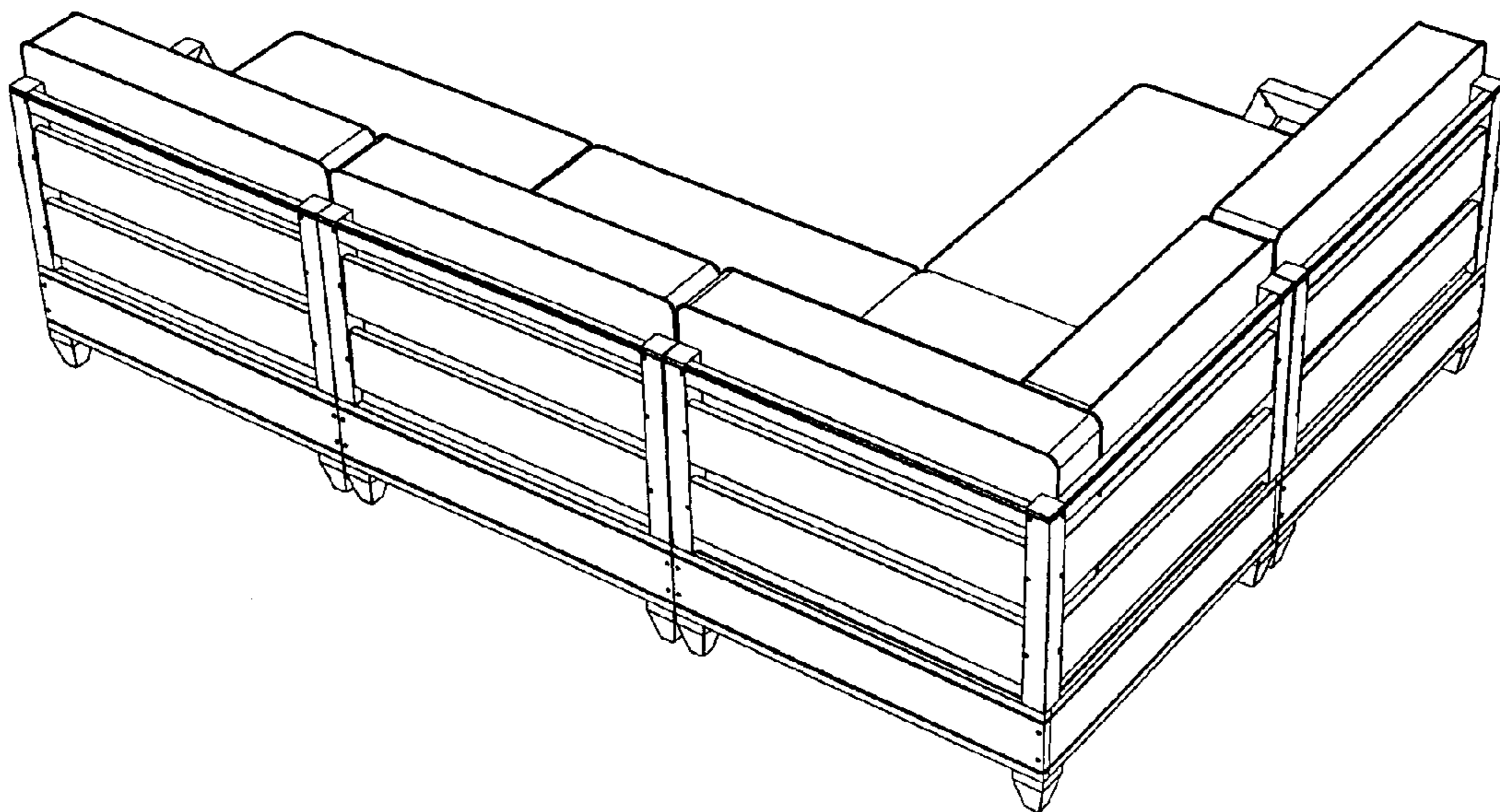
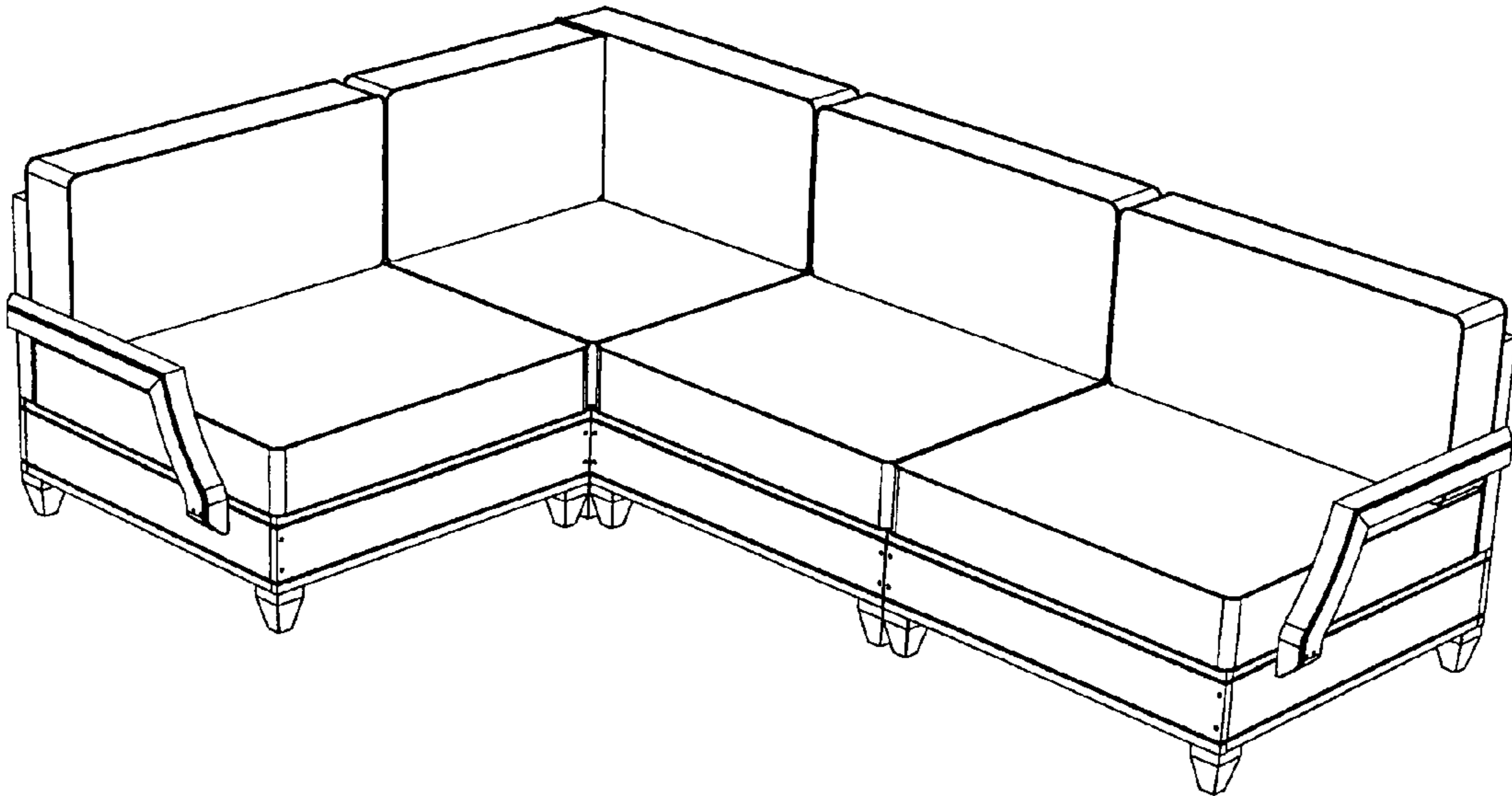


Fig. 2

Fig. 3

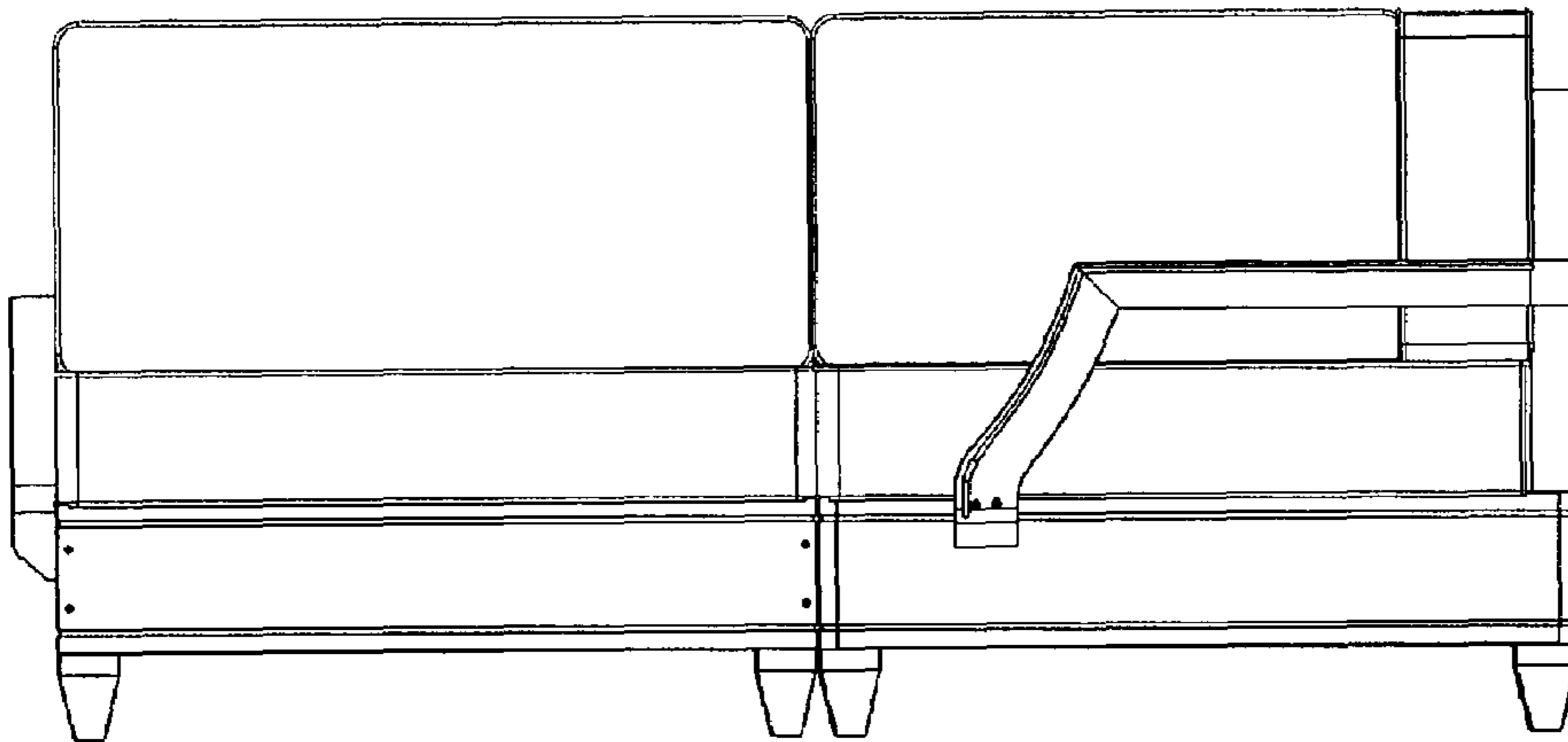
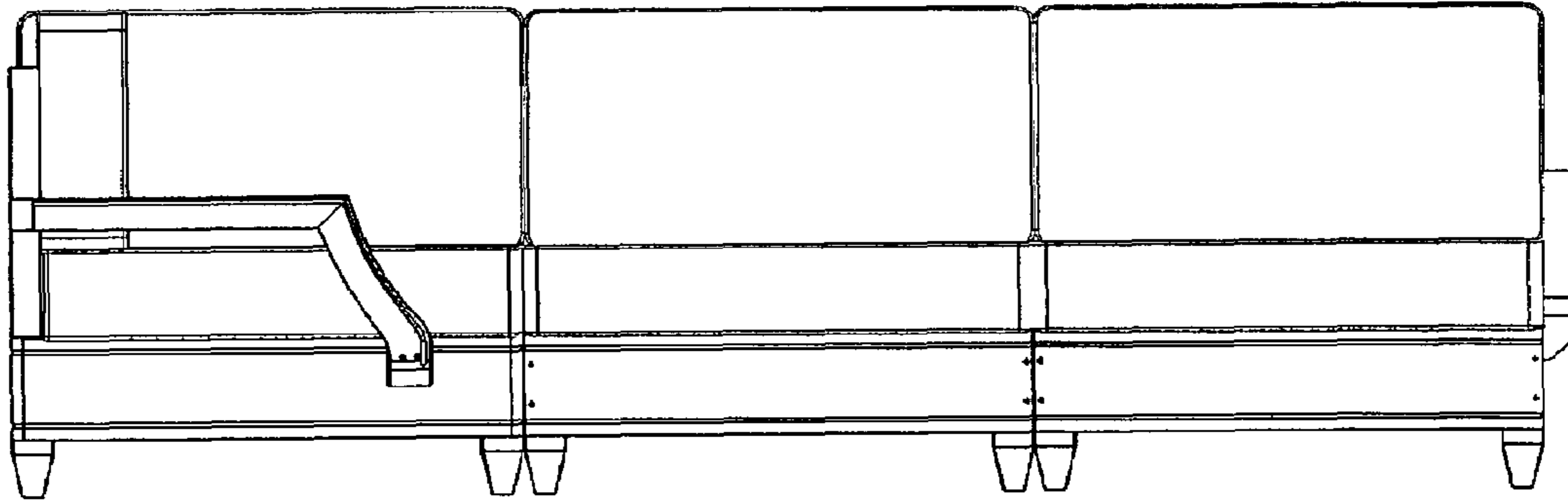


Fig. 4

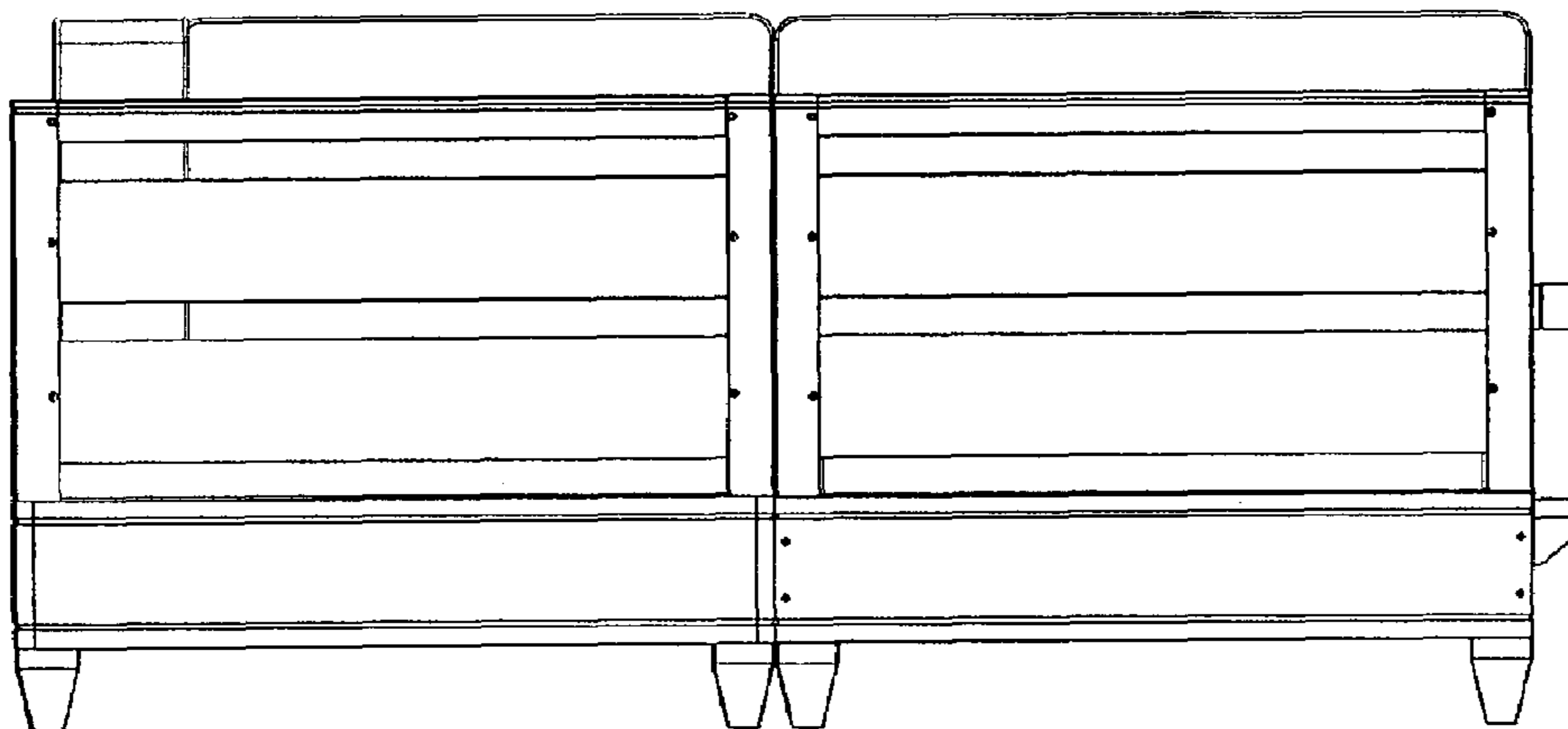


Fig. 5

Fig. 6

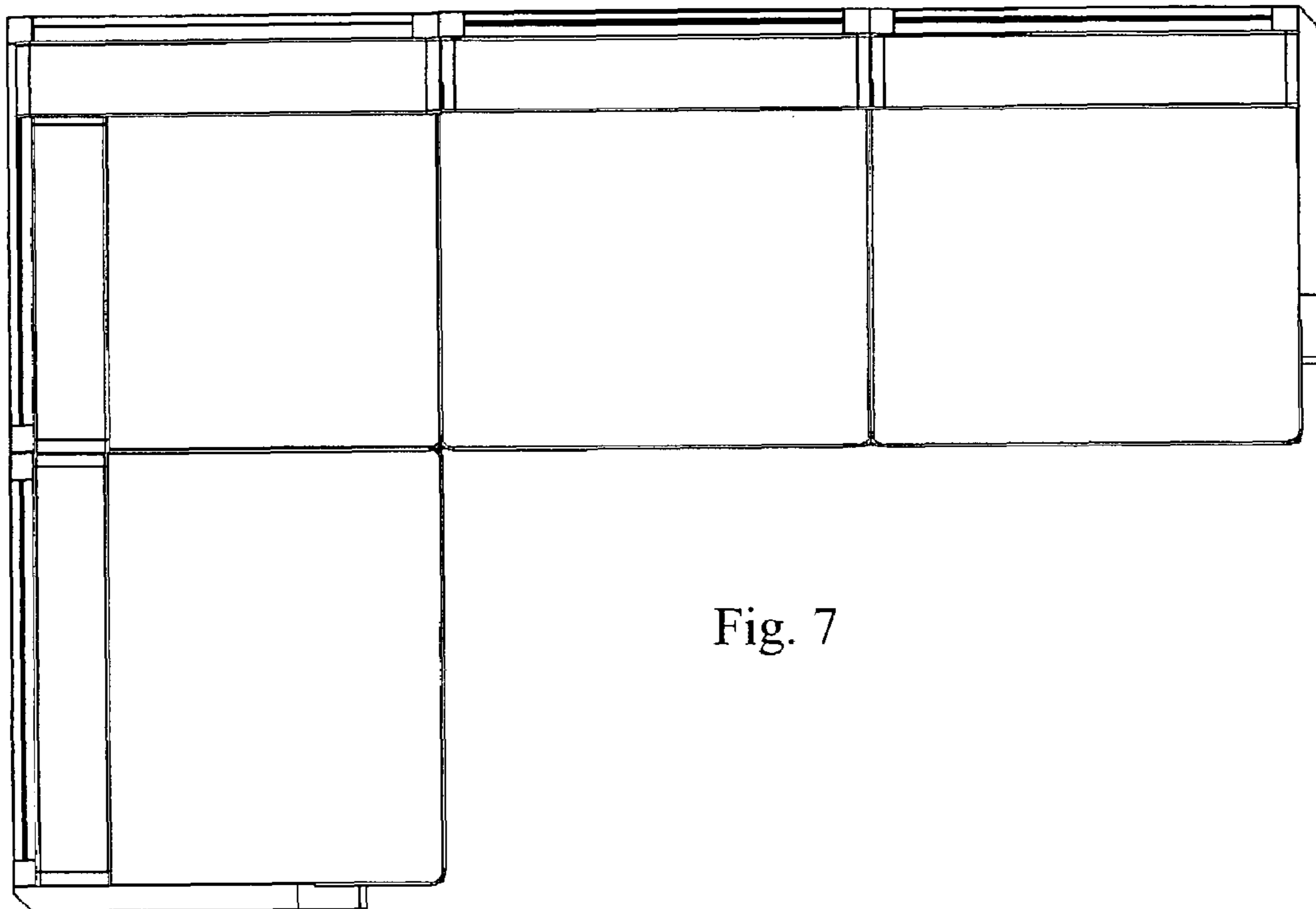
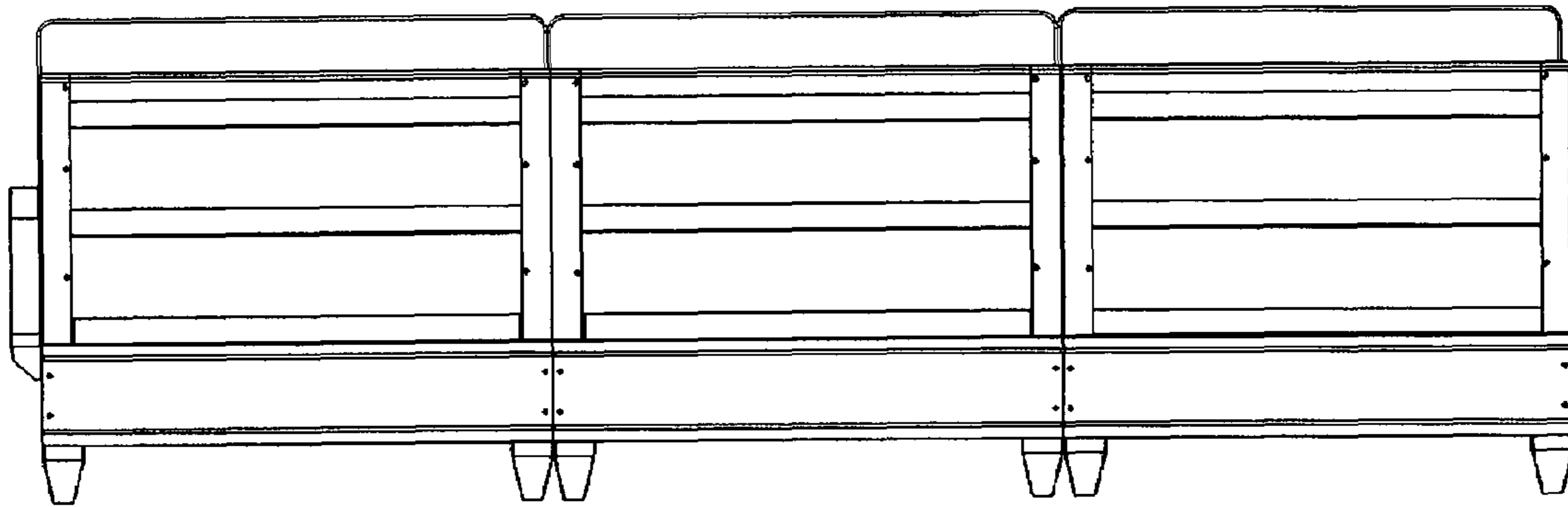


Fig. 7

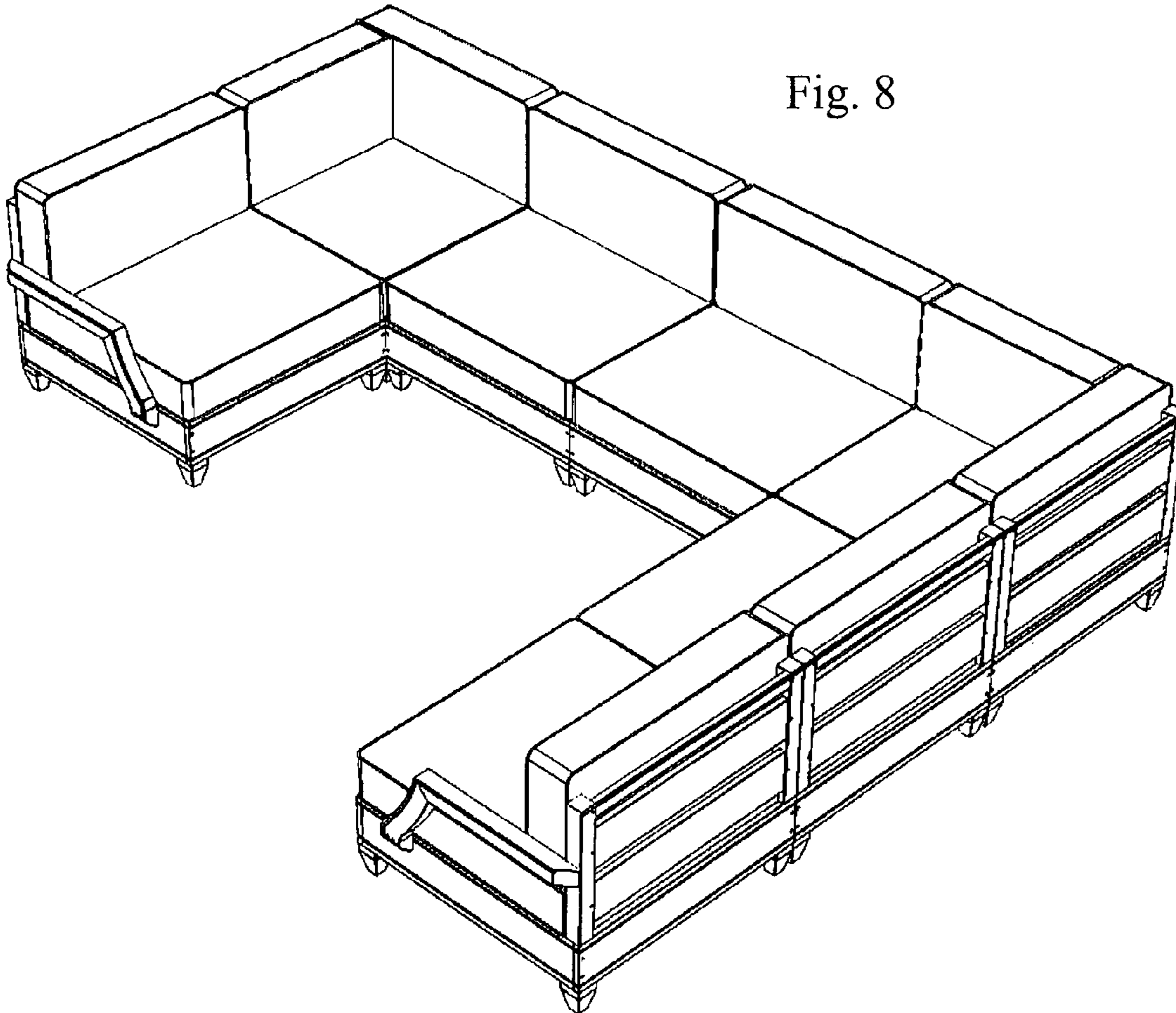
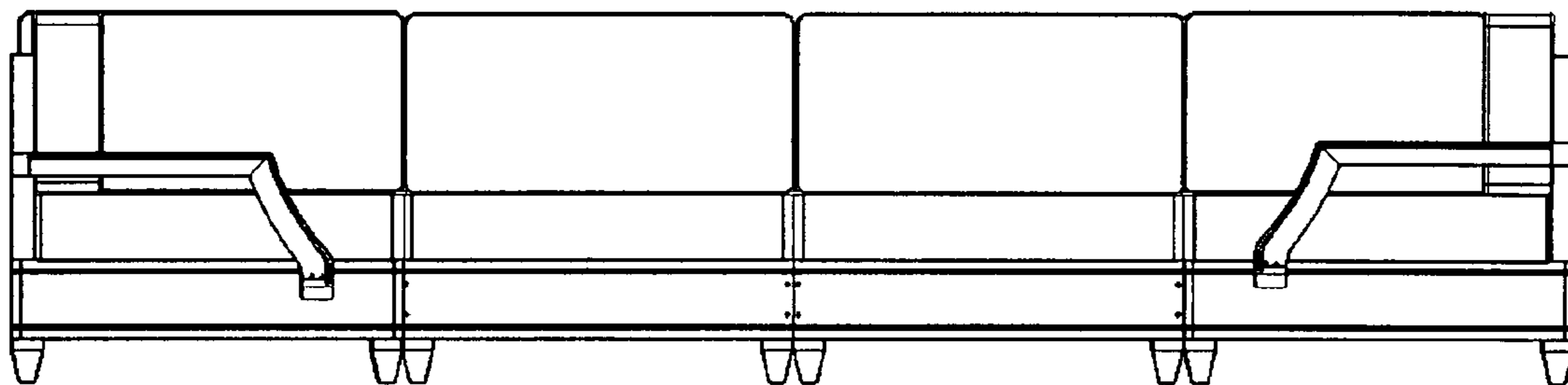


Fig. 8

Fig. 9



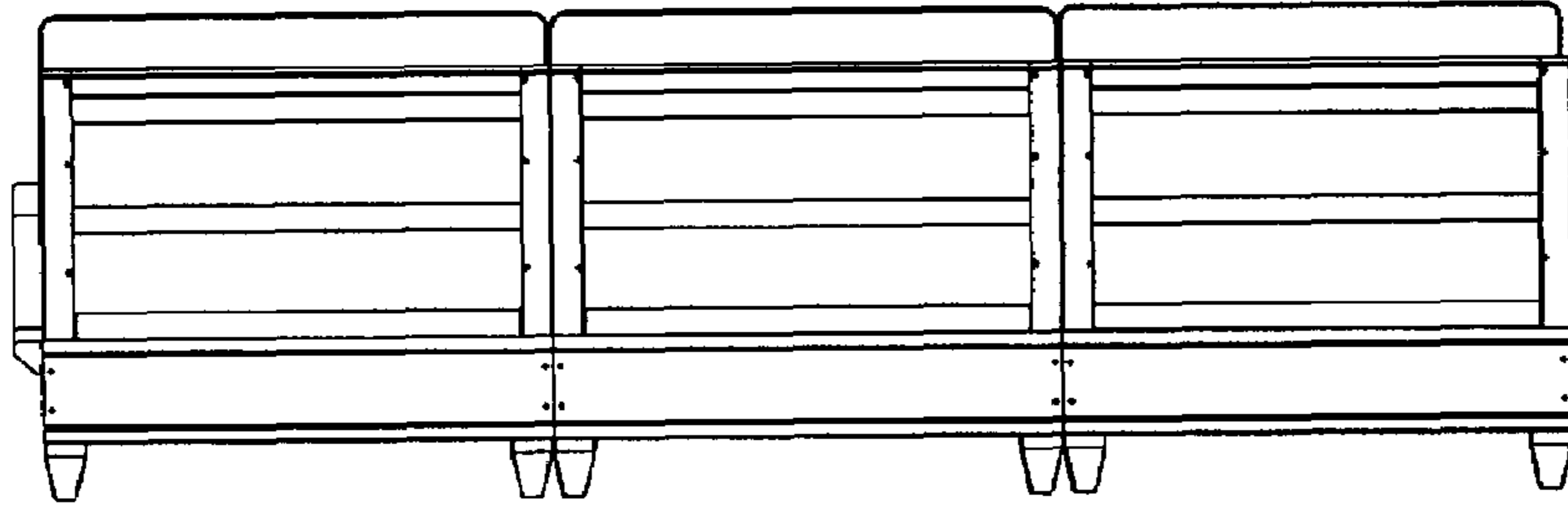


Fig. 10

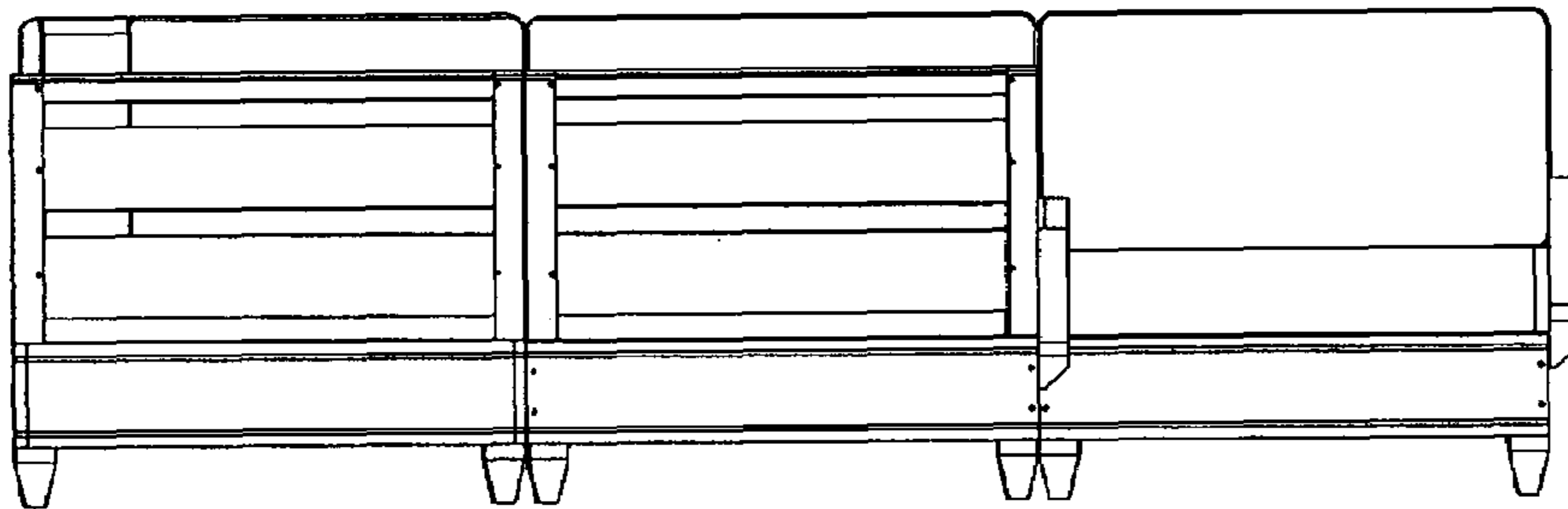


Fig. 11

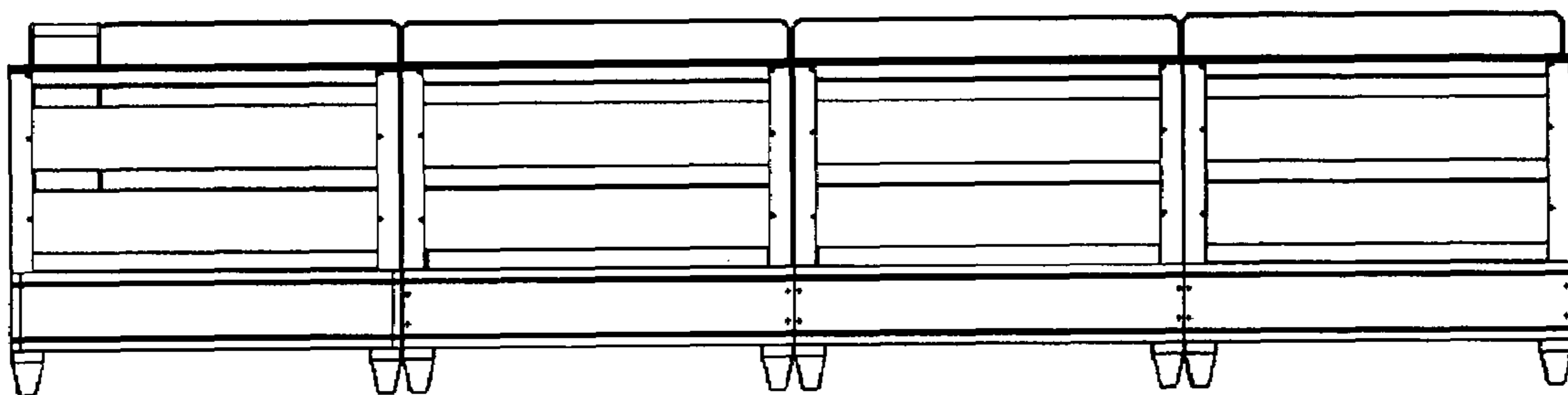


Fig. 12

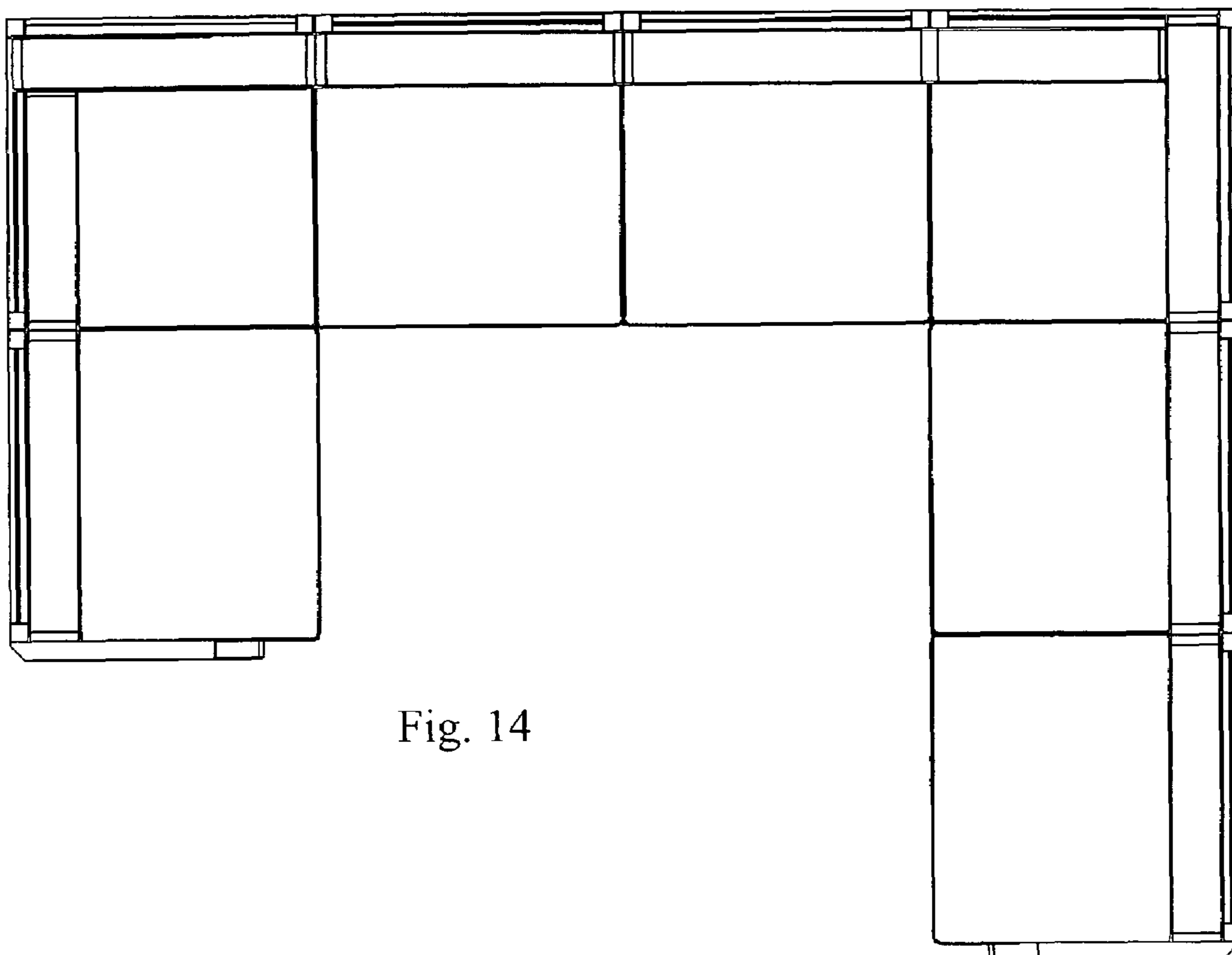
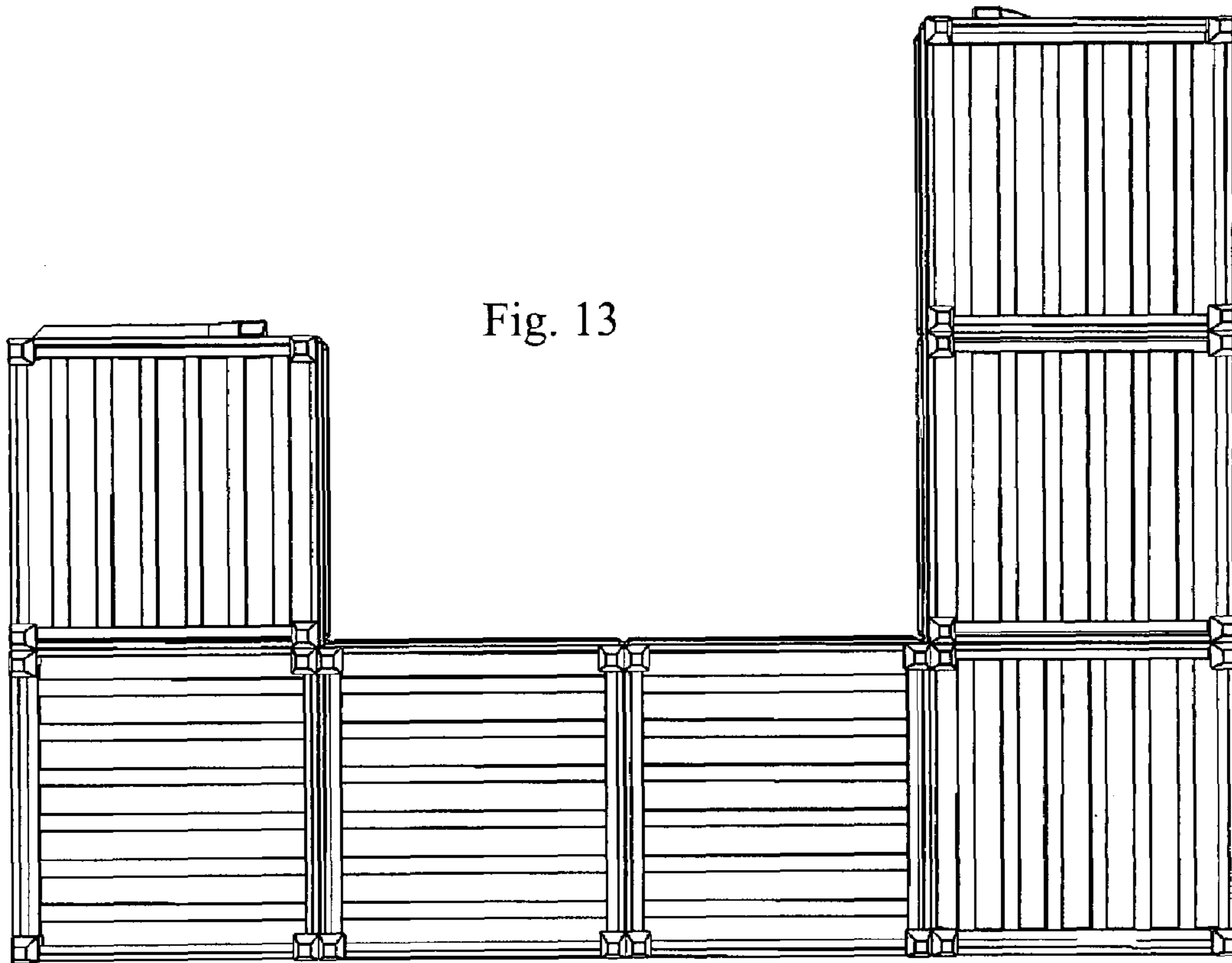


Fig. 15

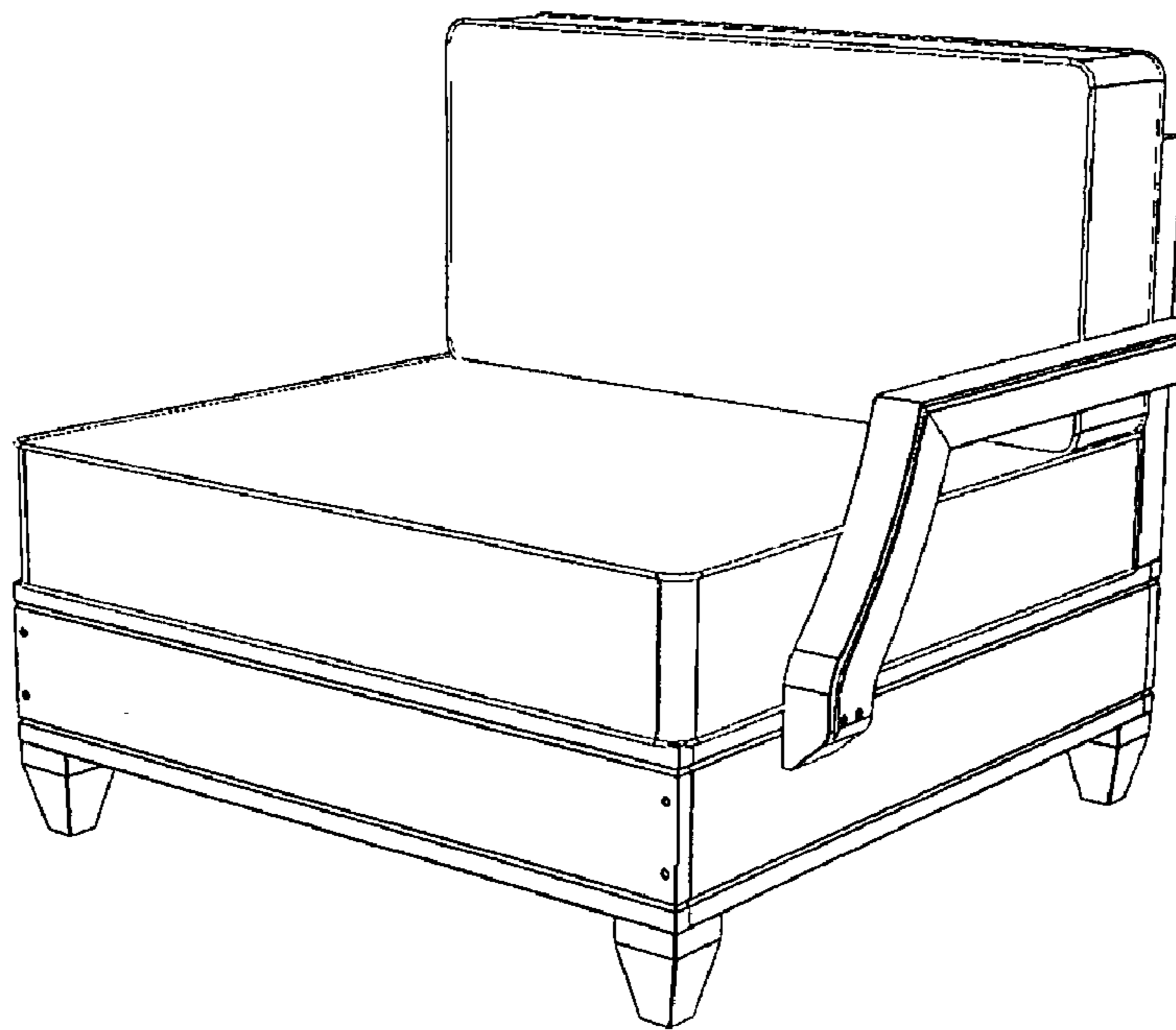


Fig. 16

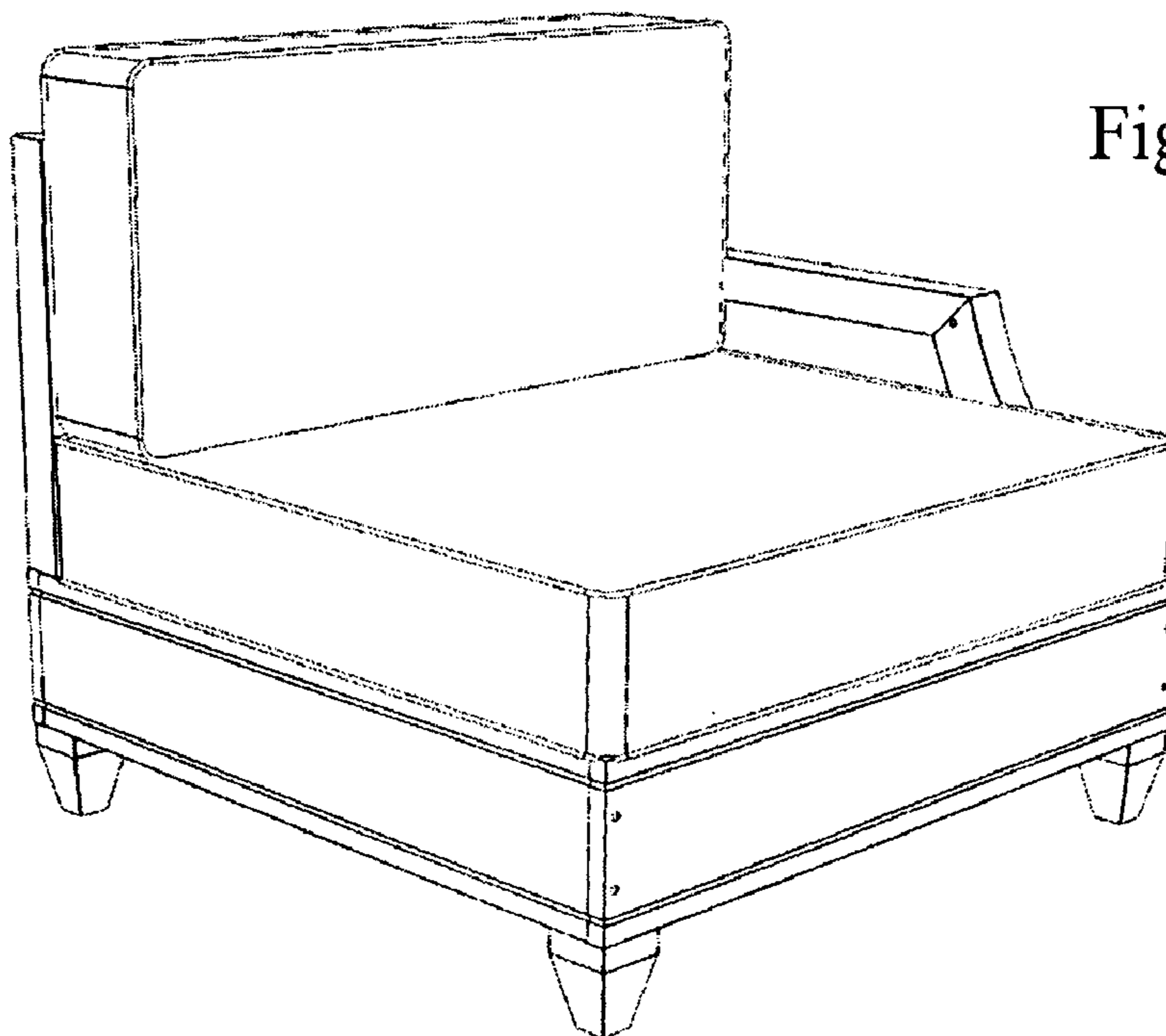


Fig. 17

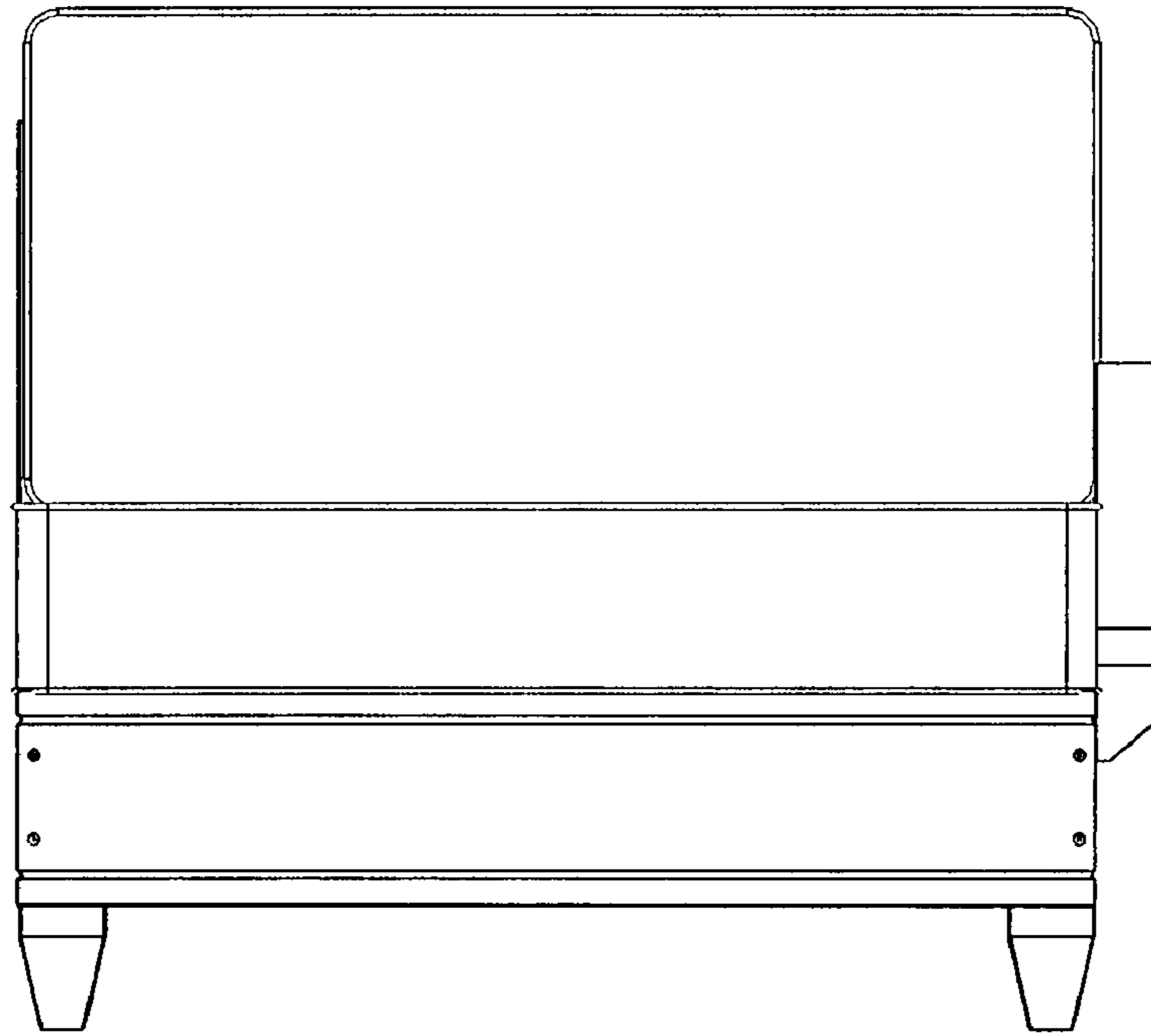


Fig. 18

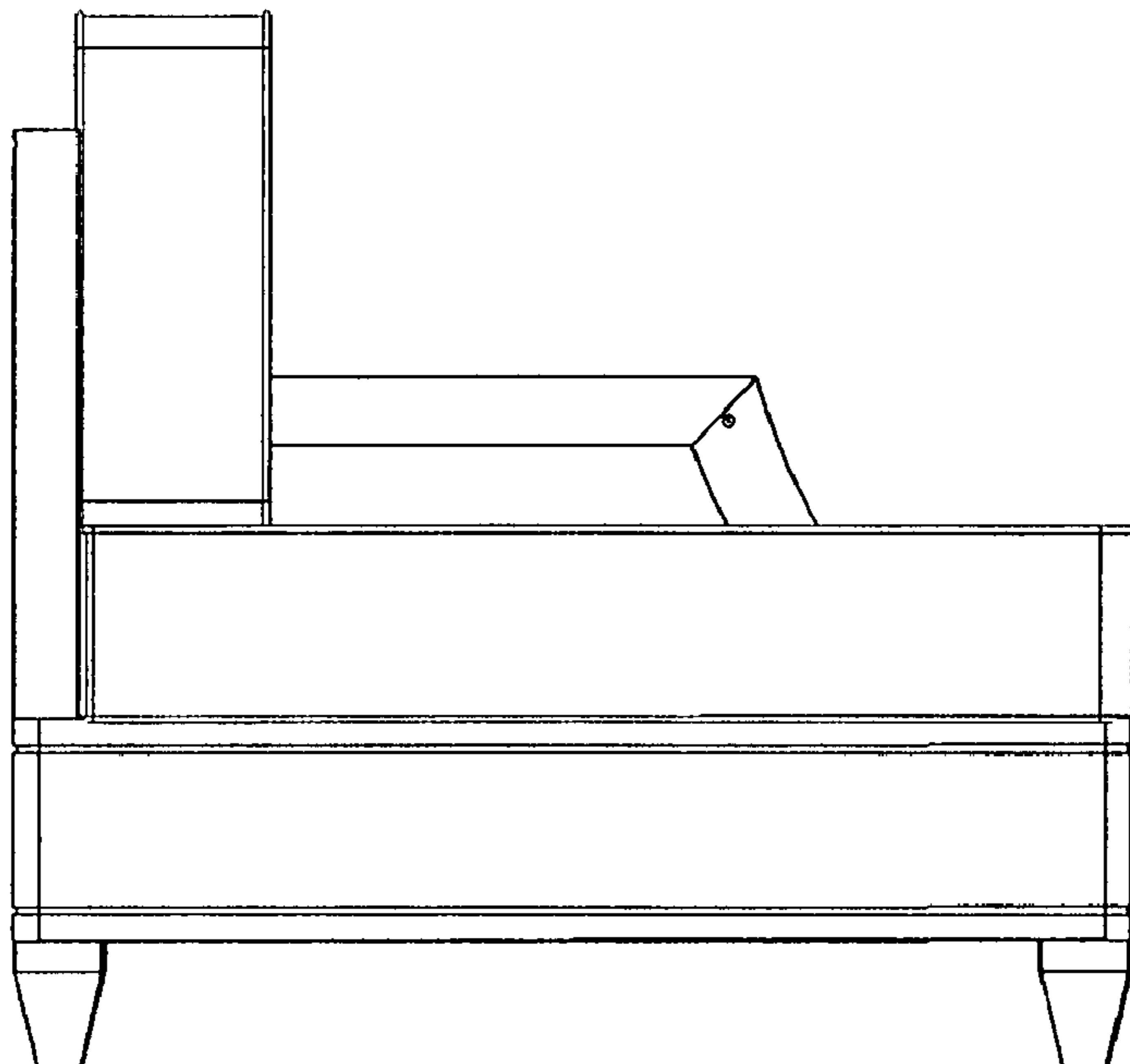


Fig.19

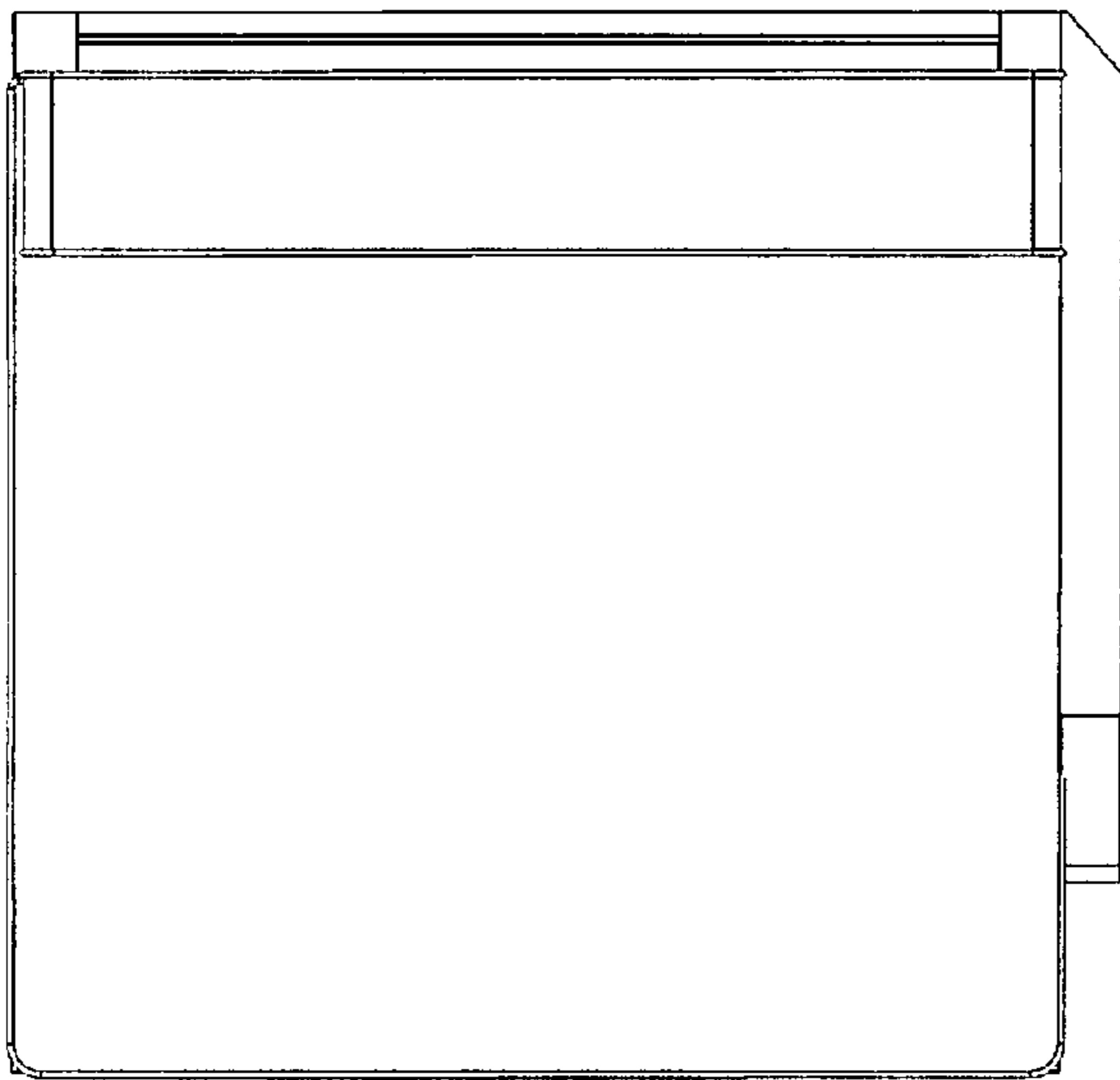
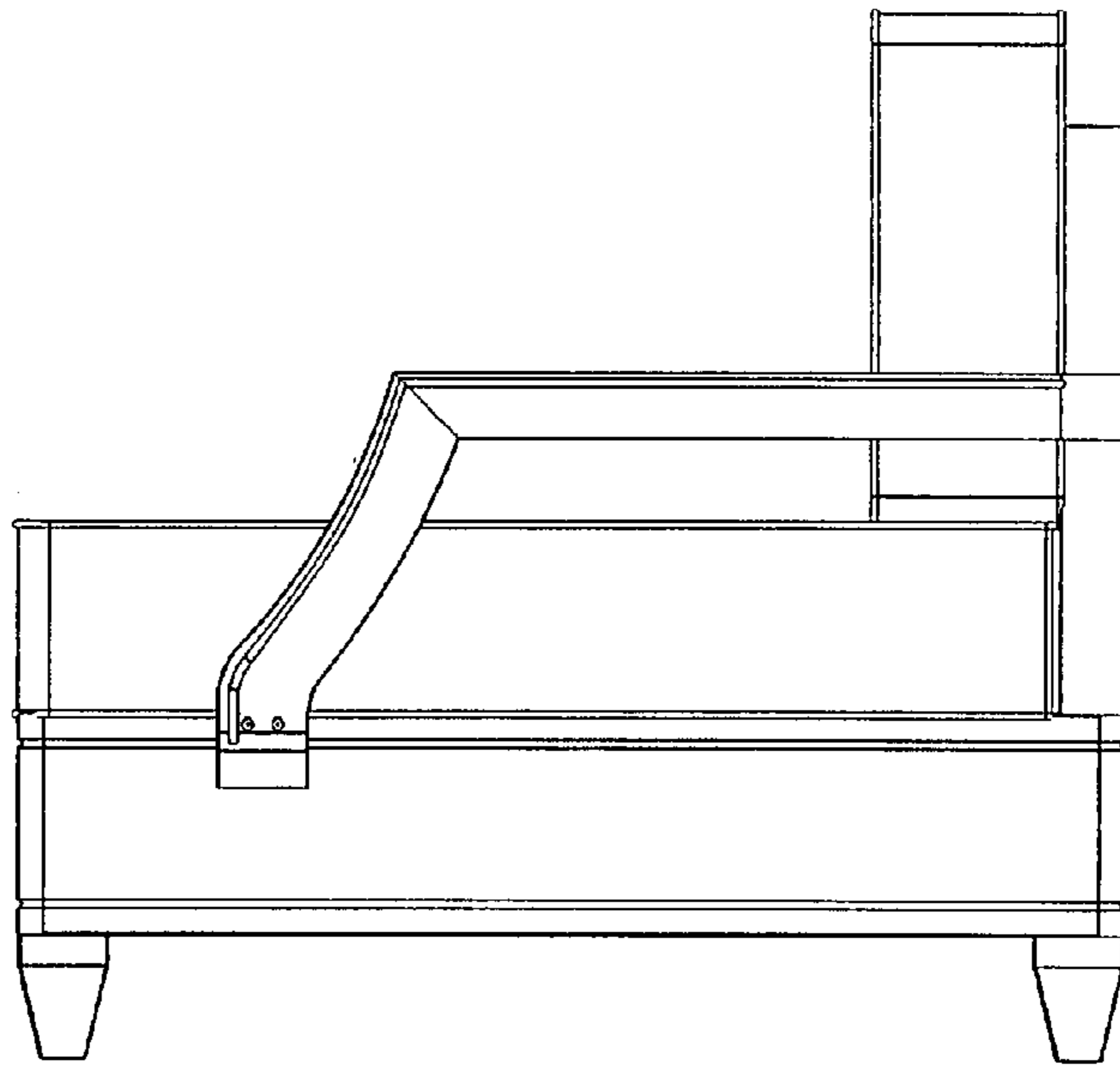


Fig. 20

Fig.21

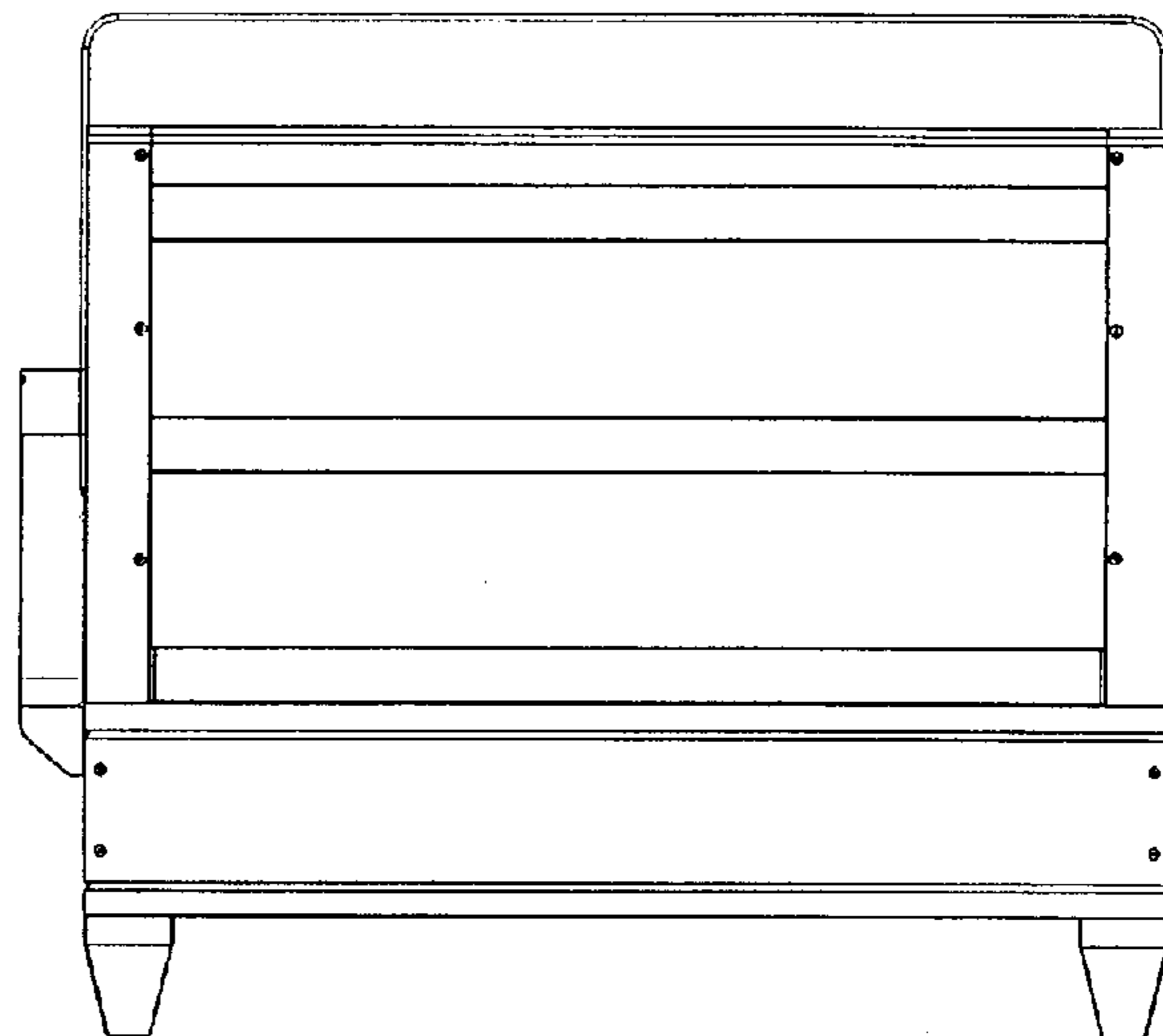


Fig. 22

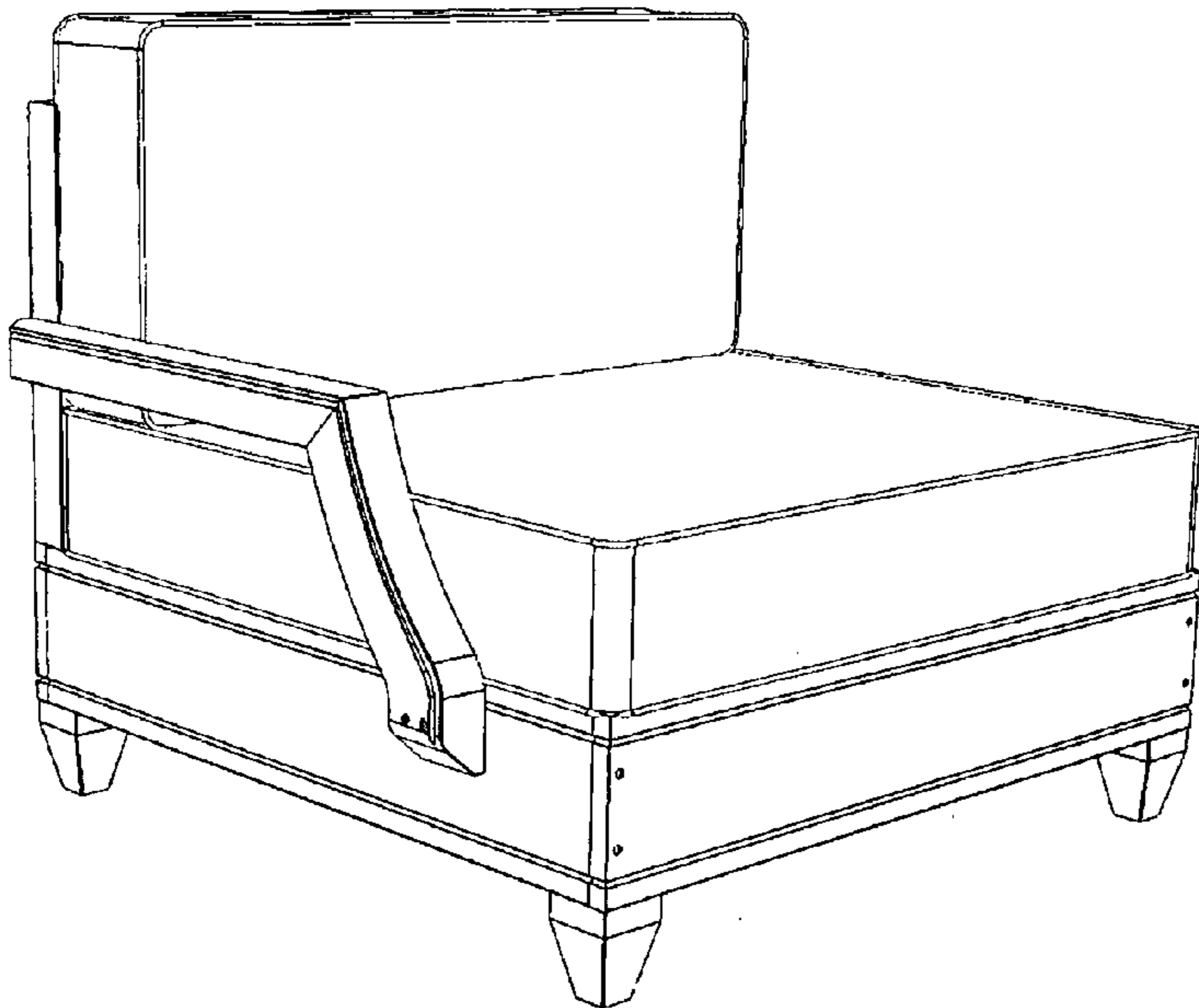
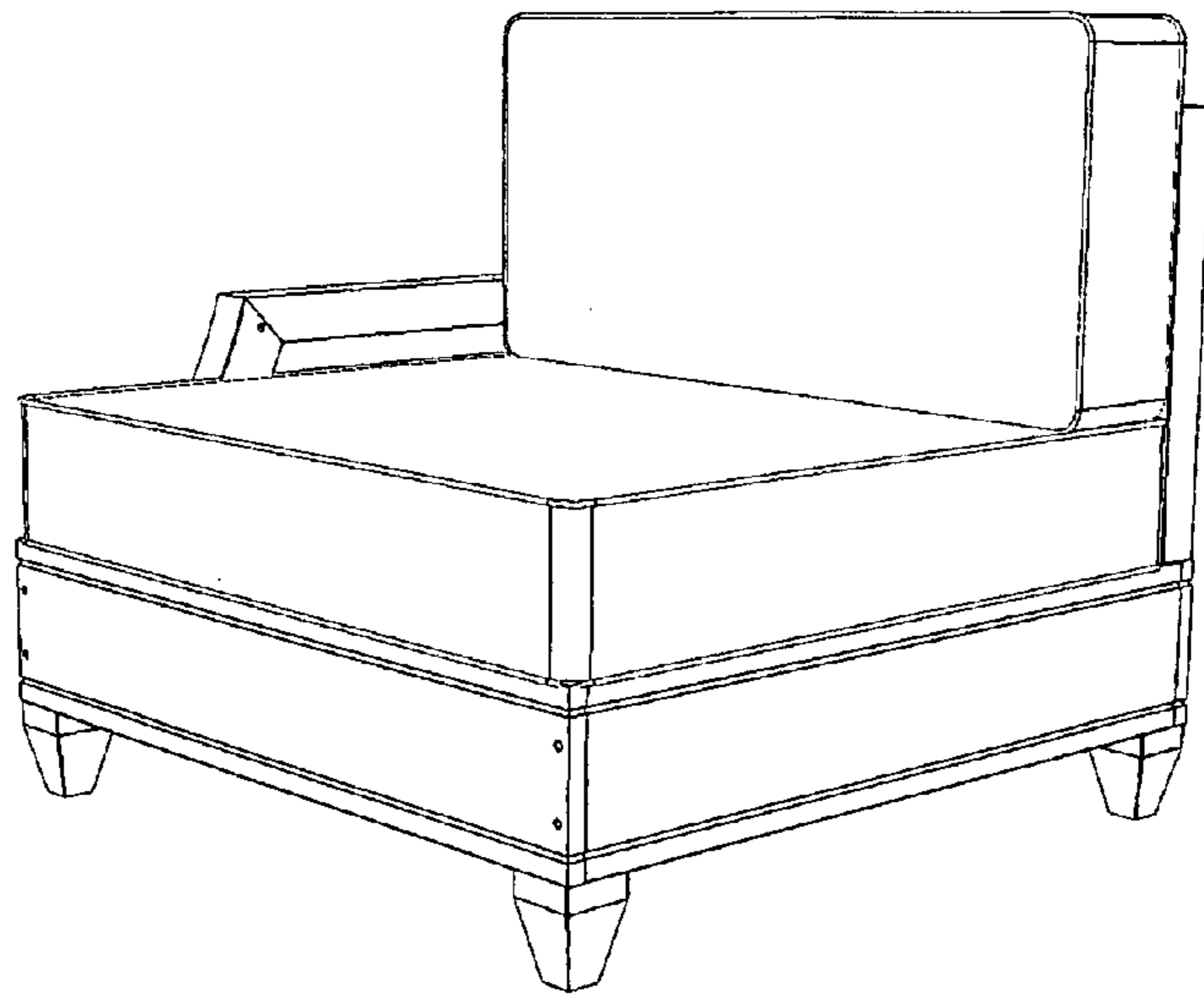


Fig. 23

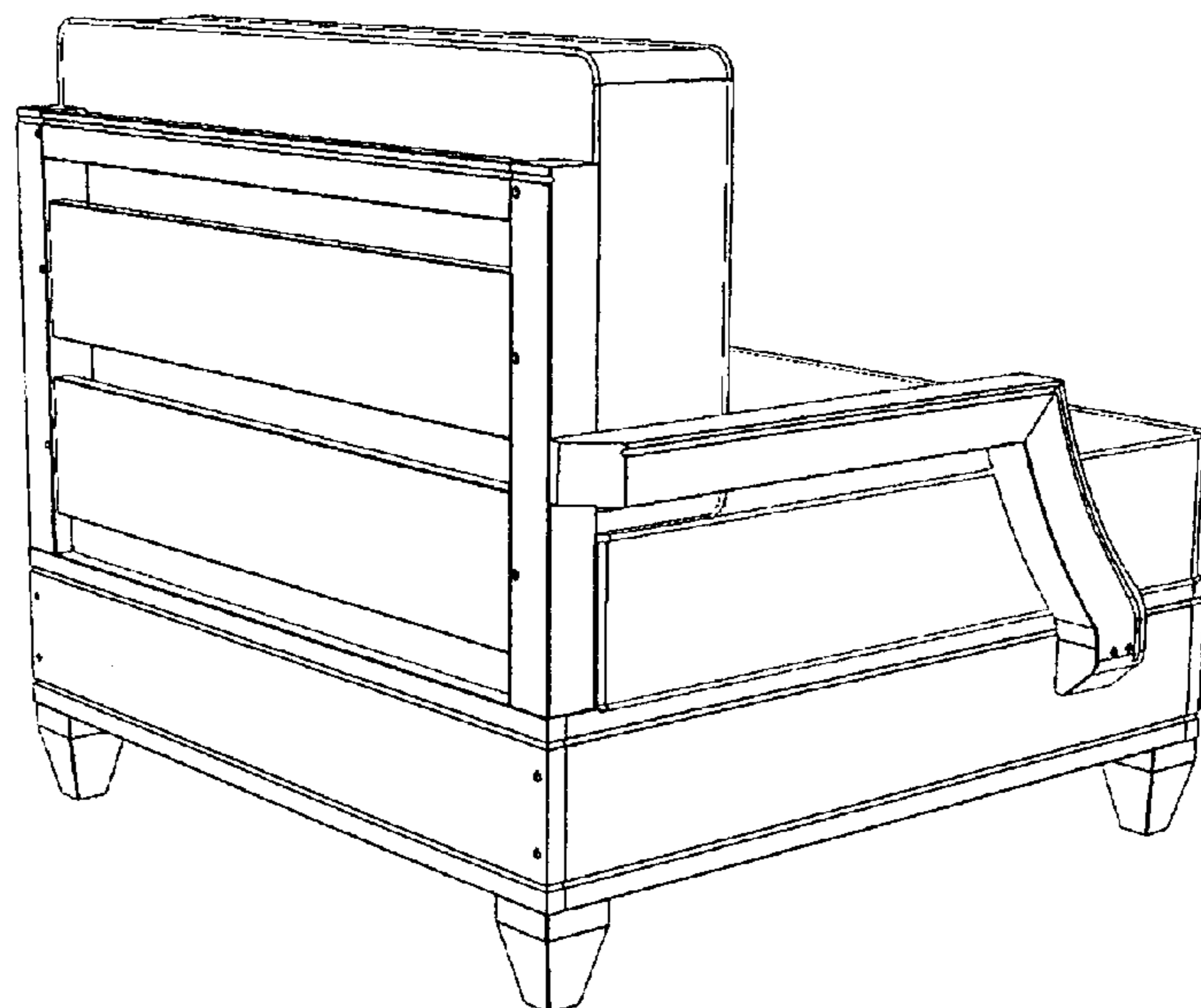


Fig. 24

Fig. 25

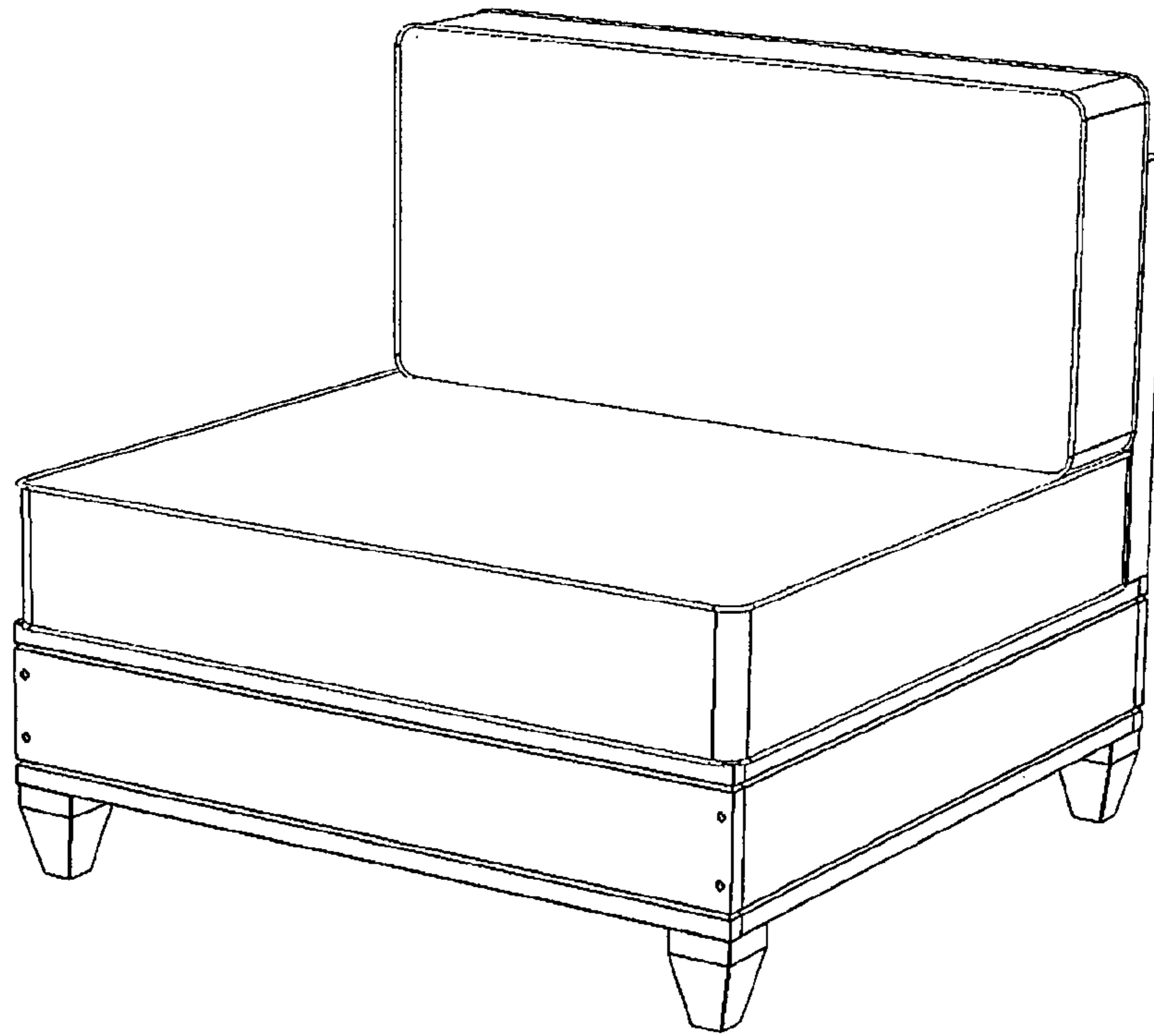


Fig. 26

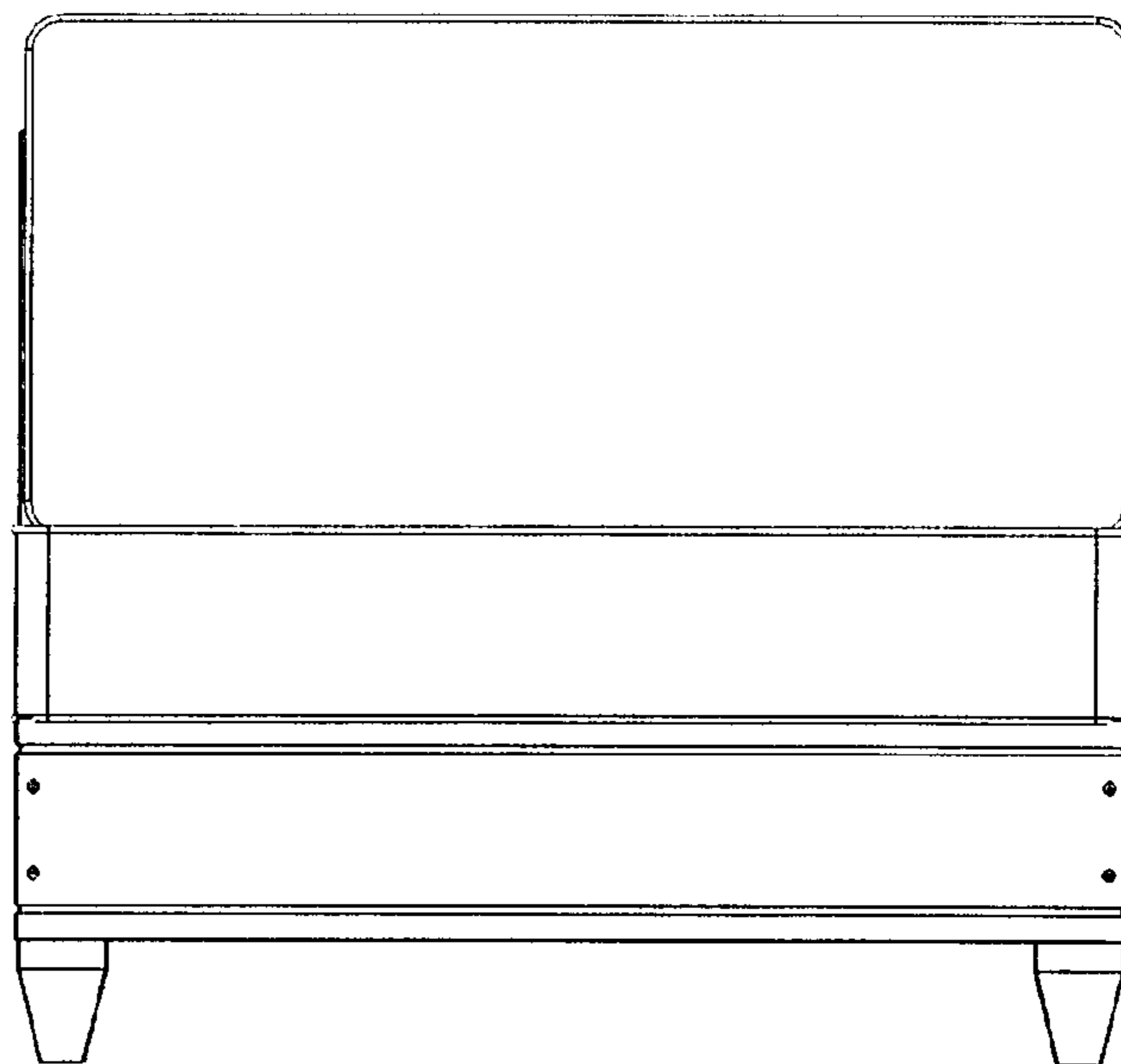


Fig. 27

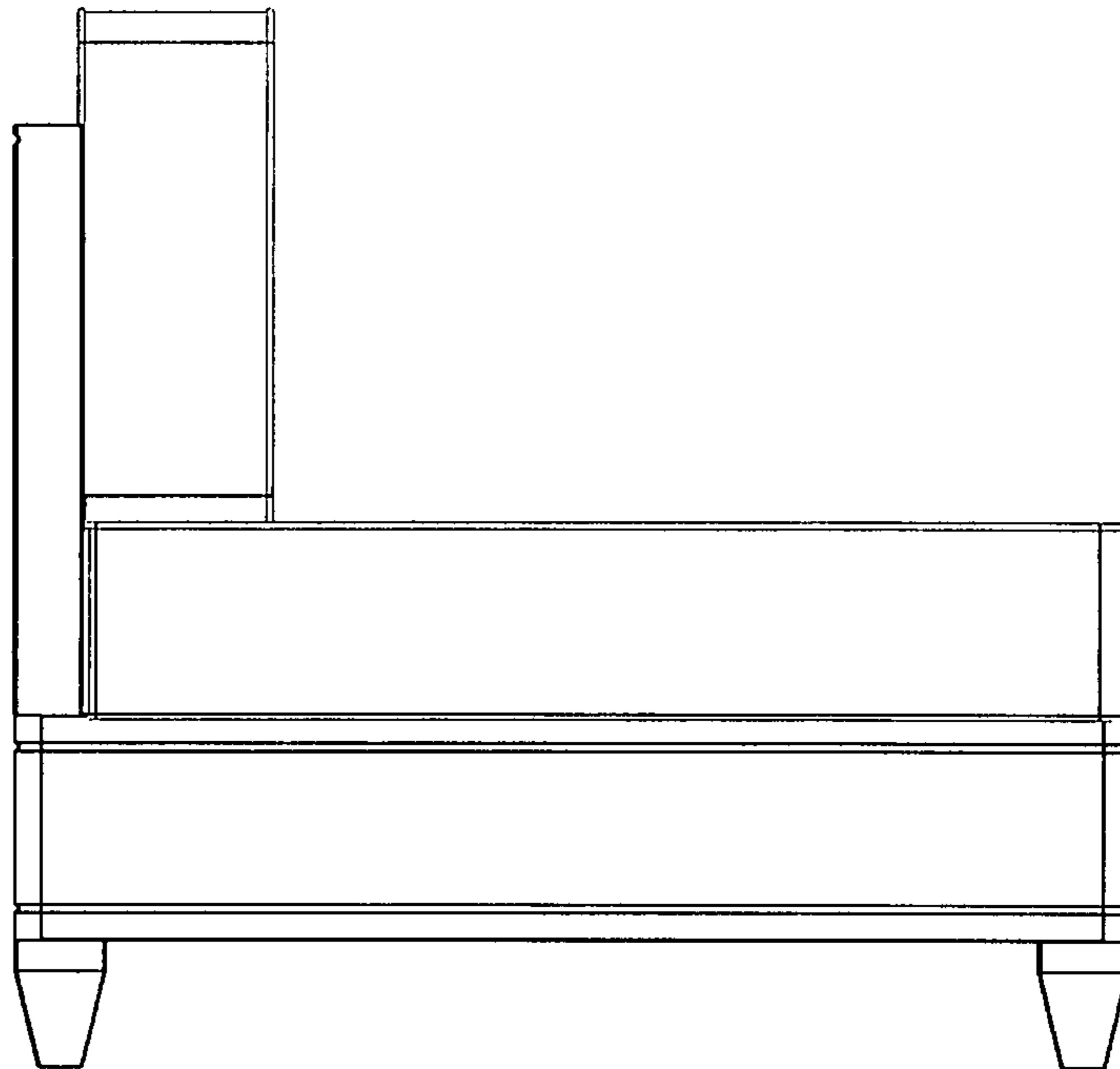


Fig. 28

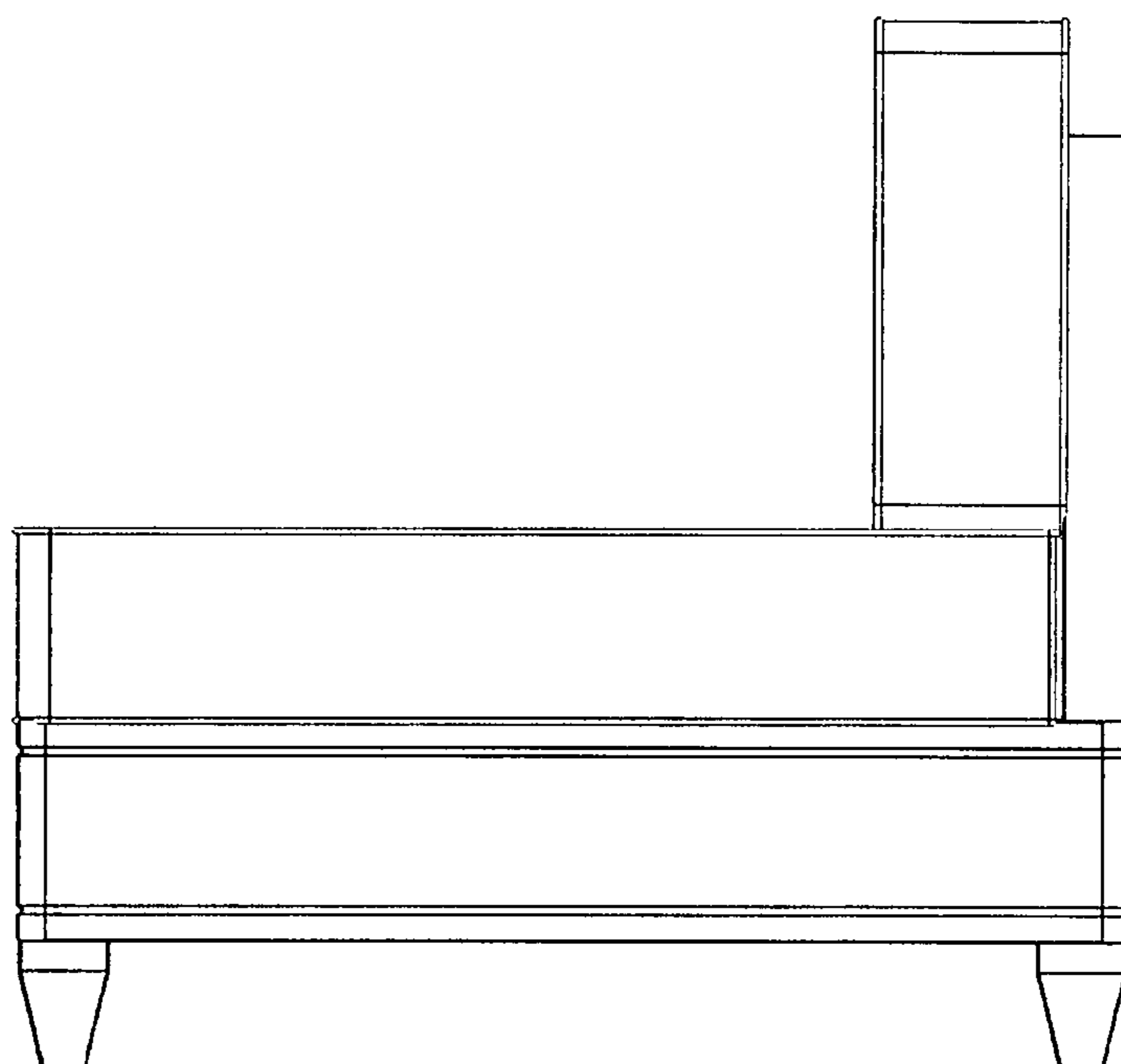


Fig. 29

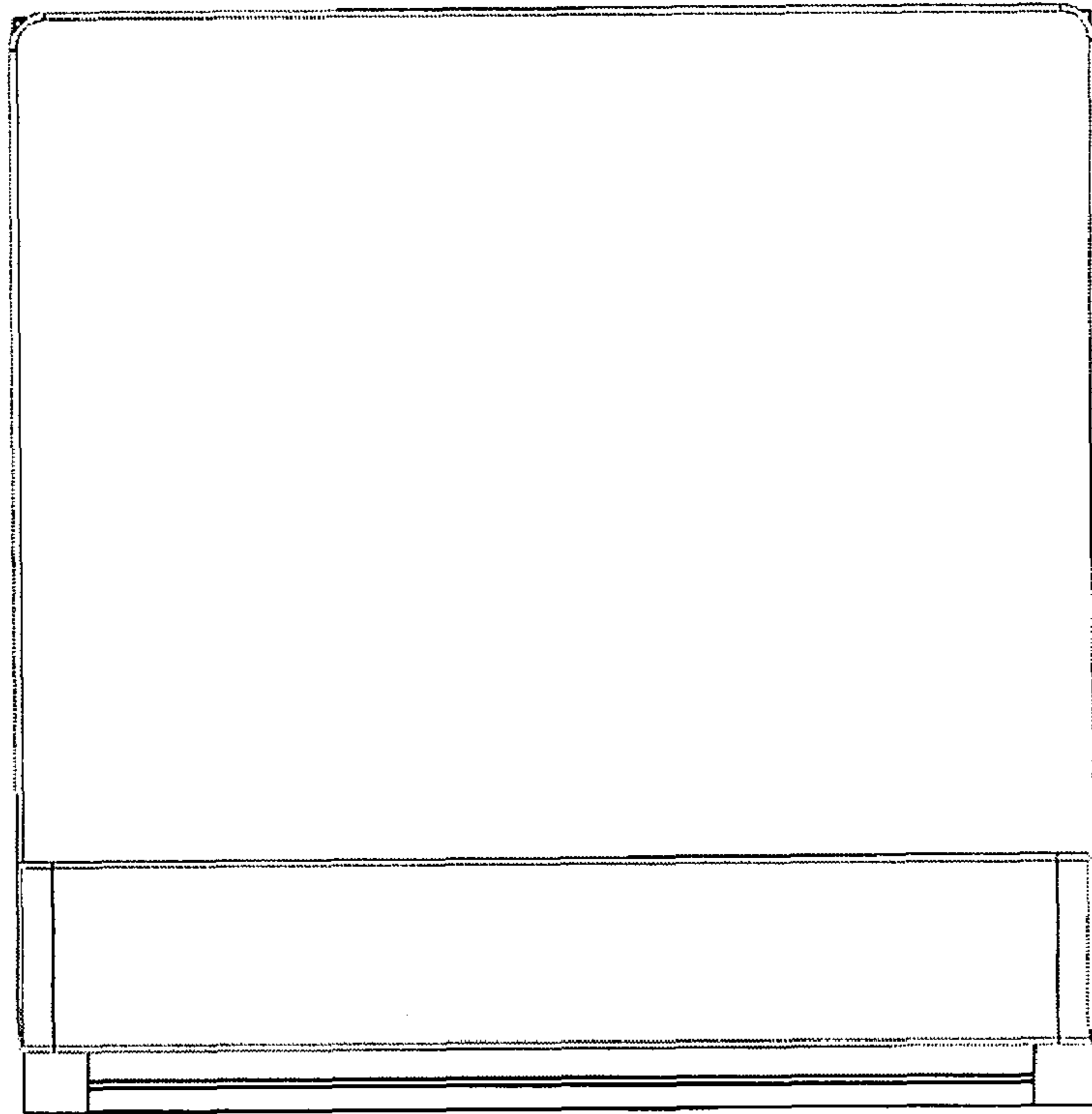


Fig. 30

