



US00D562016S

(12) **United States Design Patent**  
**Tomasch et al.**

(10) **Patent No.:** **US D562,016 S**

(45) **Date of Patent:** **\*\* Feb. 19, 2008**

(54) **PORTABLE FOOTREST**

(76) Inventors: **Emil J. Tomasch**, 2612 149th St.,  
Court E, Tacoma, WA (US) 98445;  
**Joyce E. Tomasch**, 2612 149th St.,  
Court E, Tacoma, WA (US) 98445

(\*\*) Term: **14 Years**

(21) Appl. No.: **29/231,364**

(22) Filed: **Jun. 6, 2005**

(51) **LOC (8) Cl.** ..... **06-01**

(52) **U.S. Cl.** ..... **D6/349**

(58) **Field of Classification Search** ..... D6/349-355,  
D6/363-364, 484, 495, 500-502; 297/195.1,  
297/195.11, 16.1, 118, 16.2, 175, 187, 462,  
297/215.16, 219.11, 423.1, 423.39, 423.41,  
297/423.43, 461; 108/53.3, 115, 150  
See application file for complete search history.

(56) **References Cited**

**U.S. PATENT DOCUMENTS**

2,614,613	A	9/1952	Bushlong	
2,817,347	A *	12/1957	Hilt	135/65
3,016,267	A *	1/1962	Cones	297/423.41
3,276,545	A *	10/1966	Angelo	182/153
3,376,069	A	4/1968	Lowdermilk	
3,472,224	A *	10/1969	Ewerwahn	602/35
3,667,803	A *	6/1972	Ford	297/119
4,210,364	A	7/1980	Kinsman	
4,380,231	A *	4/1983	Rocha et al.	601/118
D276,388	S *	11/1984	Miller et al.	D6/548
4,711,595	A *	12/1987	Magid et al.	403/108
4,752,047	A *	6/1988	Franks, Jr.	242/129.6
4,787,319	A *	11/1988	Dupraz	108/64
4,941,495	A *	7/1990	Boyce et al.	135/65
4,991,908	A	2/1991	Krechel	

D322,896	S *	1/1992	Sawtelle	D6/360
5,244,255	A	9/1993	Hill	
D341,258	S *	11/1993	Sawtelle	D6/349
D343,530	S *	1/1994	Sawtelle	D6/380
D345,468	S	3/1994	McVicker	
D354,859	S	1/1995	Hsu	
D364,902	S *	12/1995	Fleming	D21/686
5,678,865	A *	10/1997	Anderson	285/130.1
5,839,540	A *	11/1998	Russell	182/153
5,882,139	A *	3/1999	Valin	403/347
D444,459	S *	7/2001	Matt et al.	D14/217
6,454,357	B1	9/2002	Foulger	
D479,289	S *	9/2003	Turner	D21/662
6,722,086	B2 *	4/2004	Boots	52/81.3
D523,493	S *	6/2006	Horton	D21/662
D536,753	S *	2/2007	Rongo	D21/685

\* cited by examiner

*Primary Examiner*—Sandra Snapp

(57) **CLAIM**

the ornamental design for a portable footrest, as shown and described.

**DESCRIPTION**

FIG. 1 is a front elevational view of a portable footrest showing our new design with the footrest at a detached position;

FIG. 2 is a side elevational view thereof;

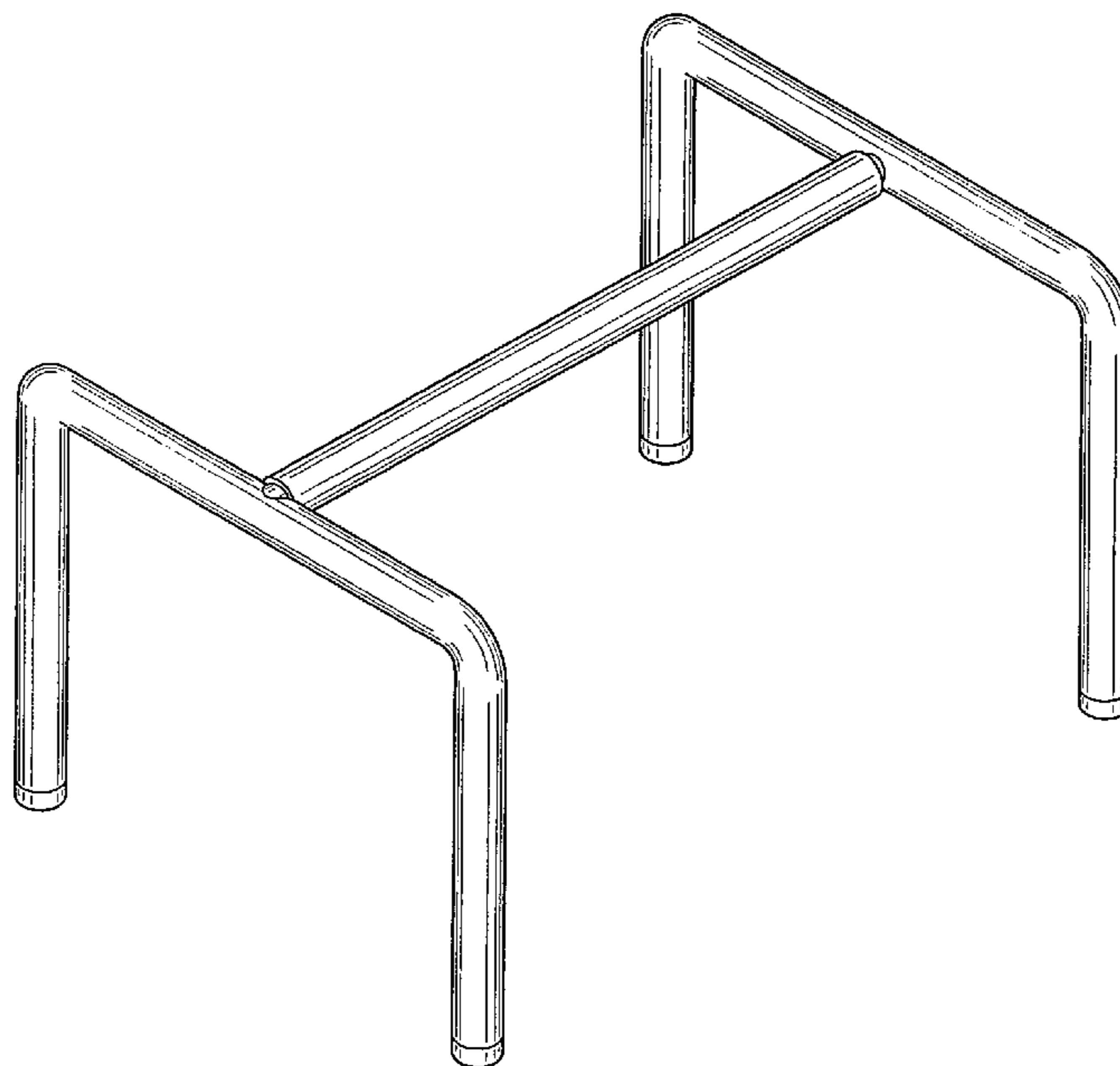
FIG. 3 is a top plan view thereof;

FIG. 4 is a bottom plan view thereof;

FIG. 5 is a perspective view thereof; and,

FIG. 6 is a perspective view showing the footrest at an assembled position.

**1 Claim, 6 Drawing Sheets**



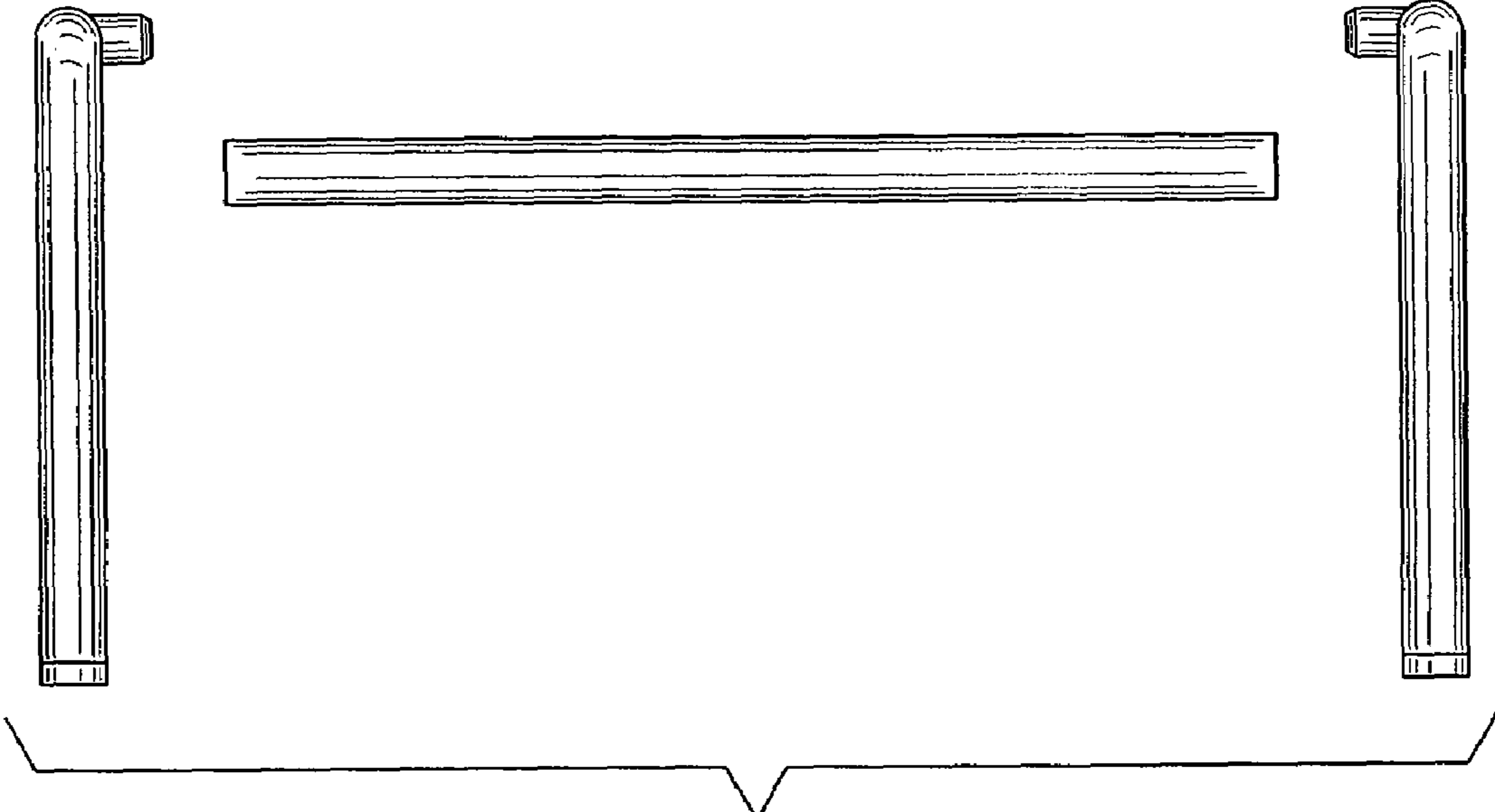


FIG. 1

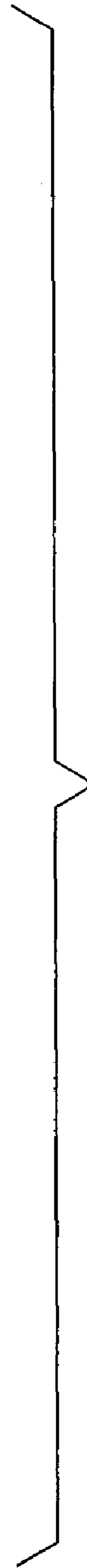
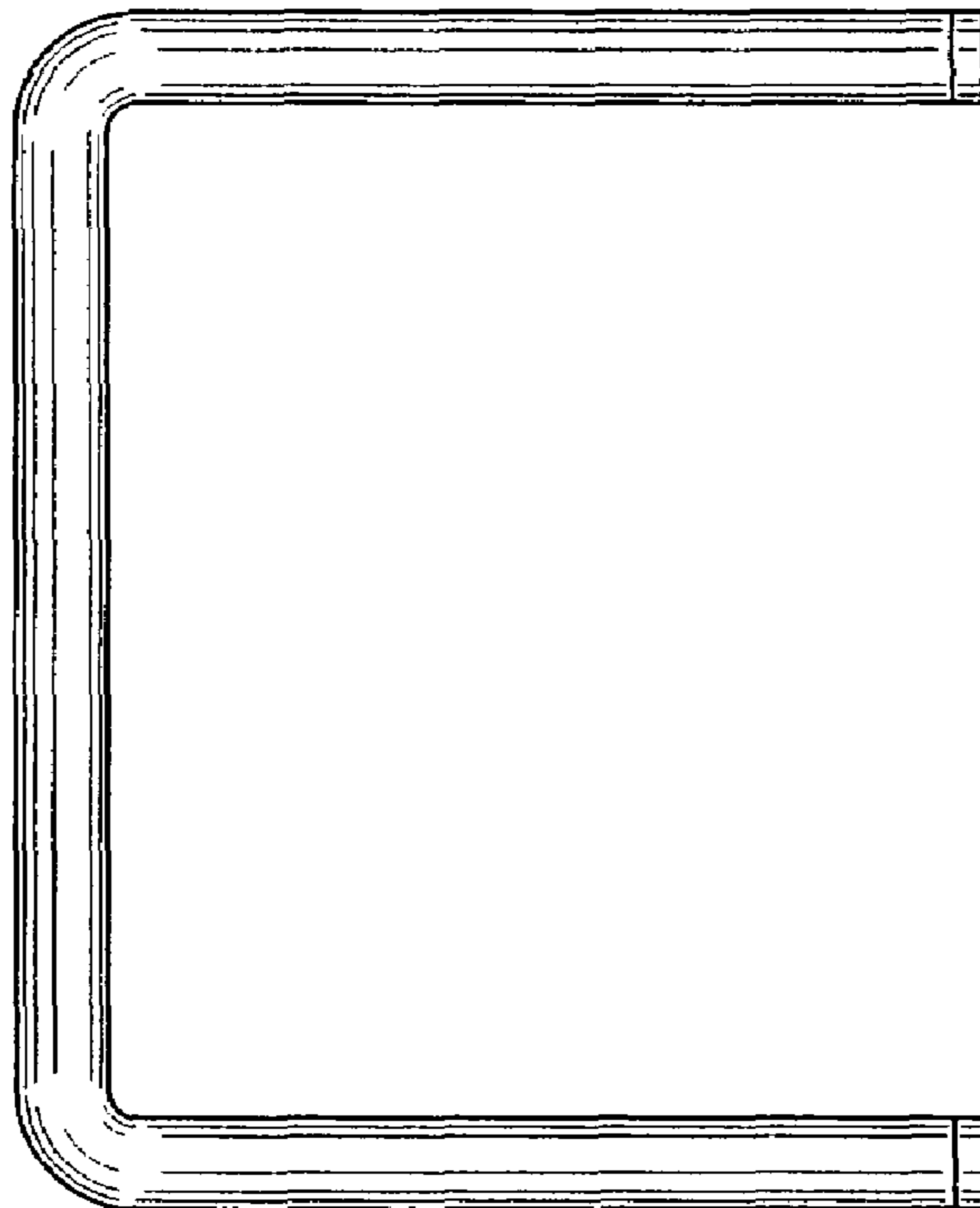
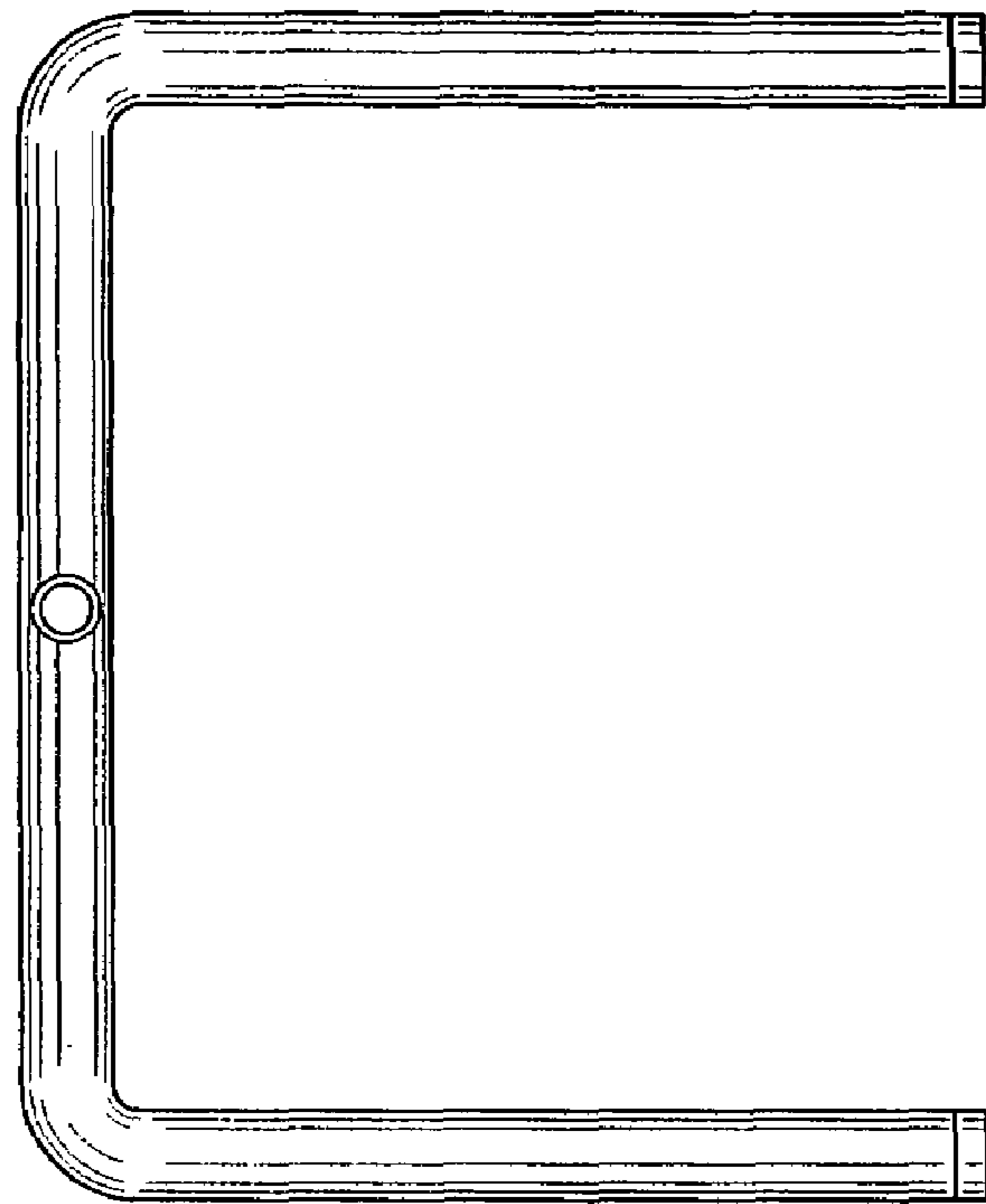


FIG. 2

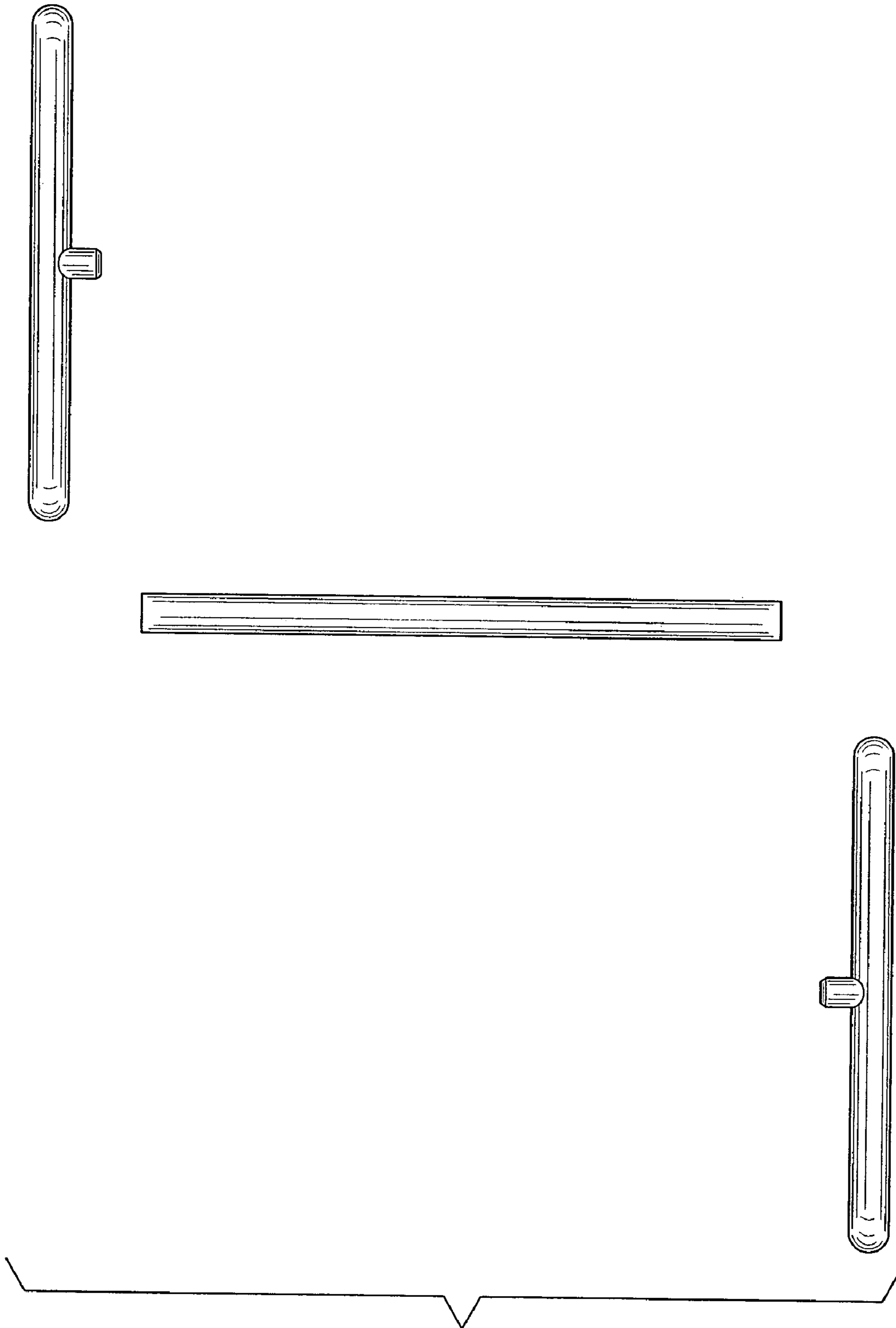


FIG. 3

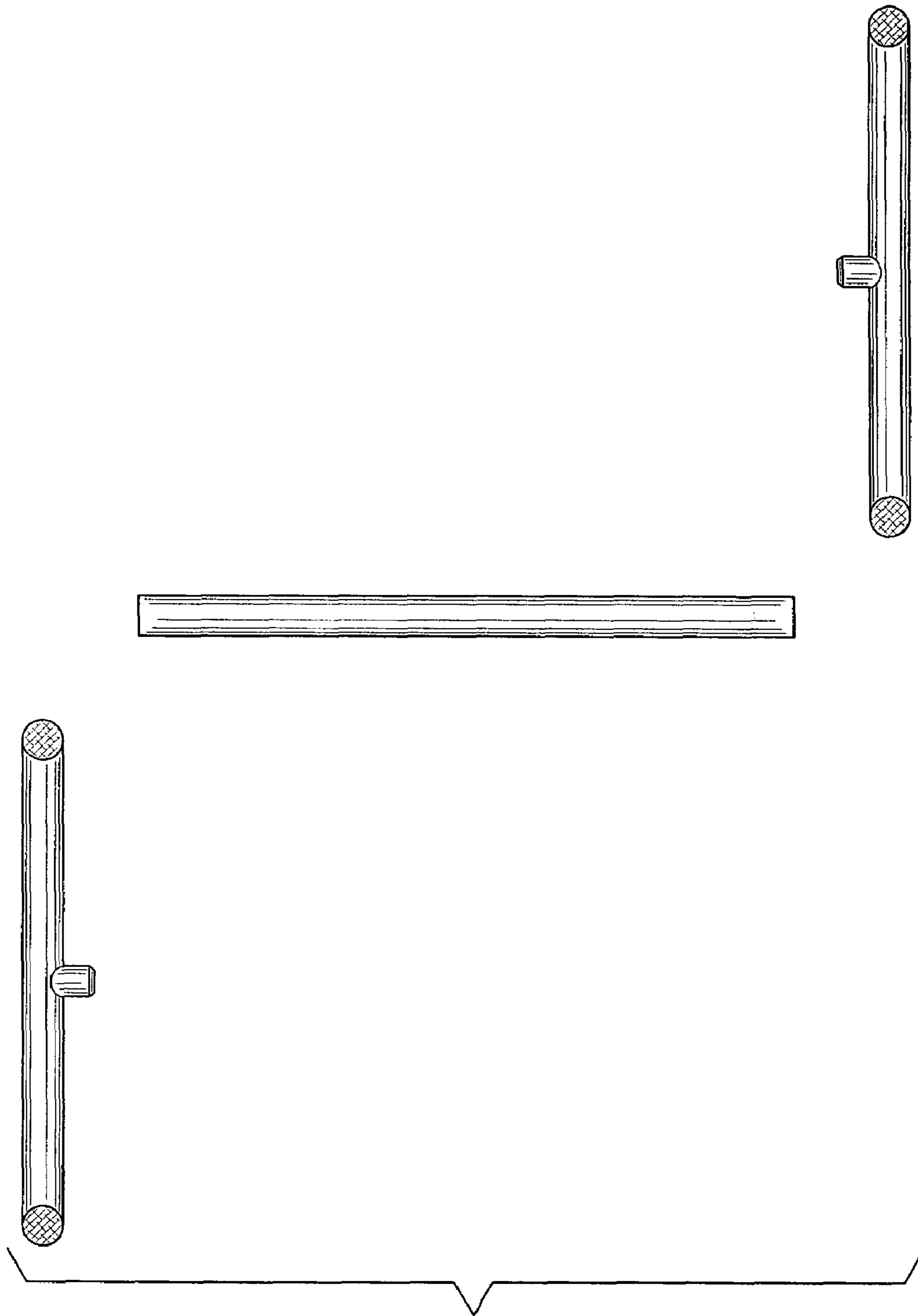


FIG. 4

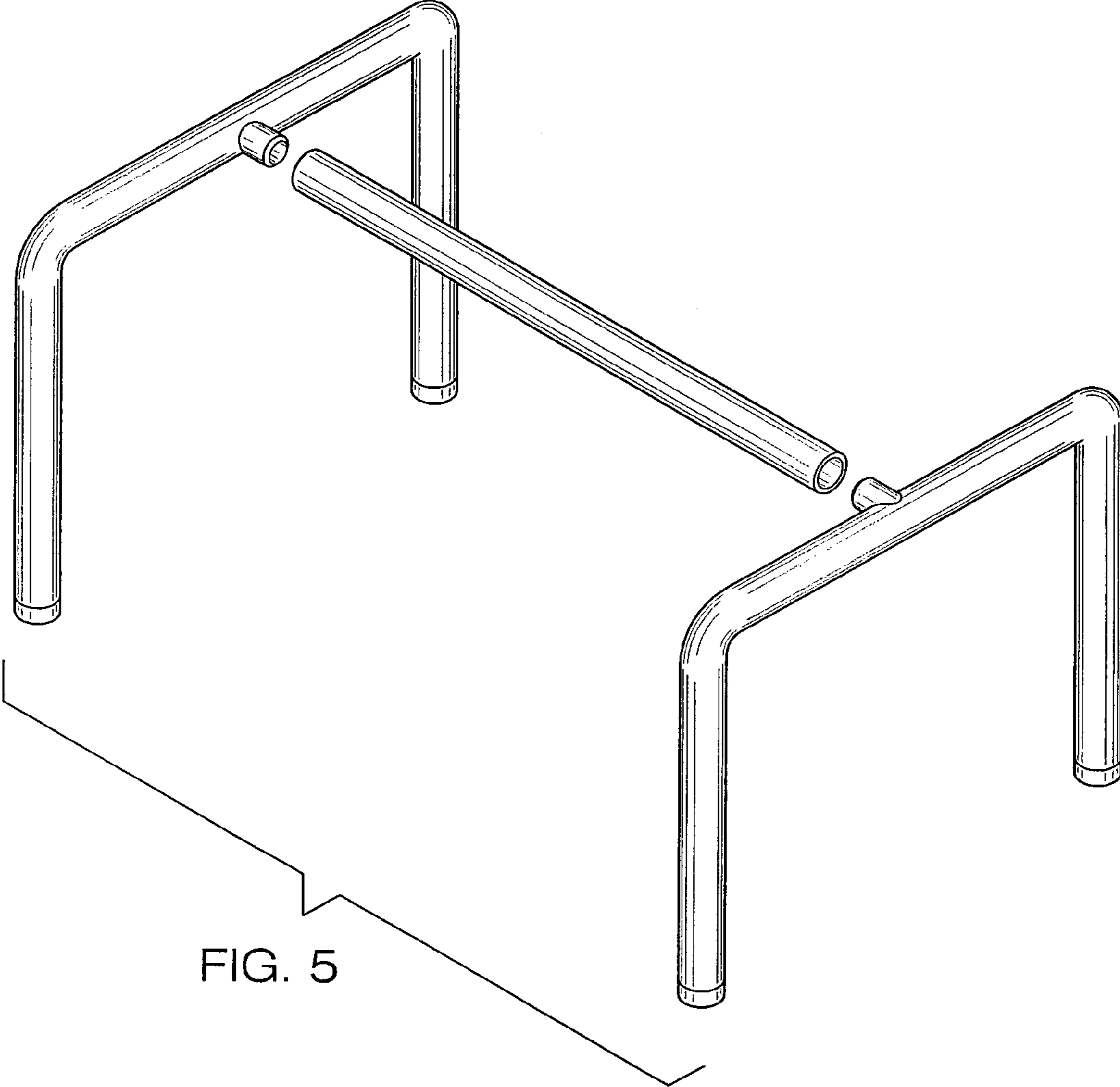


FIG. 5

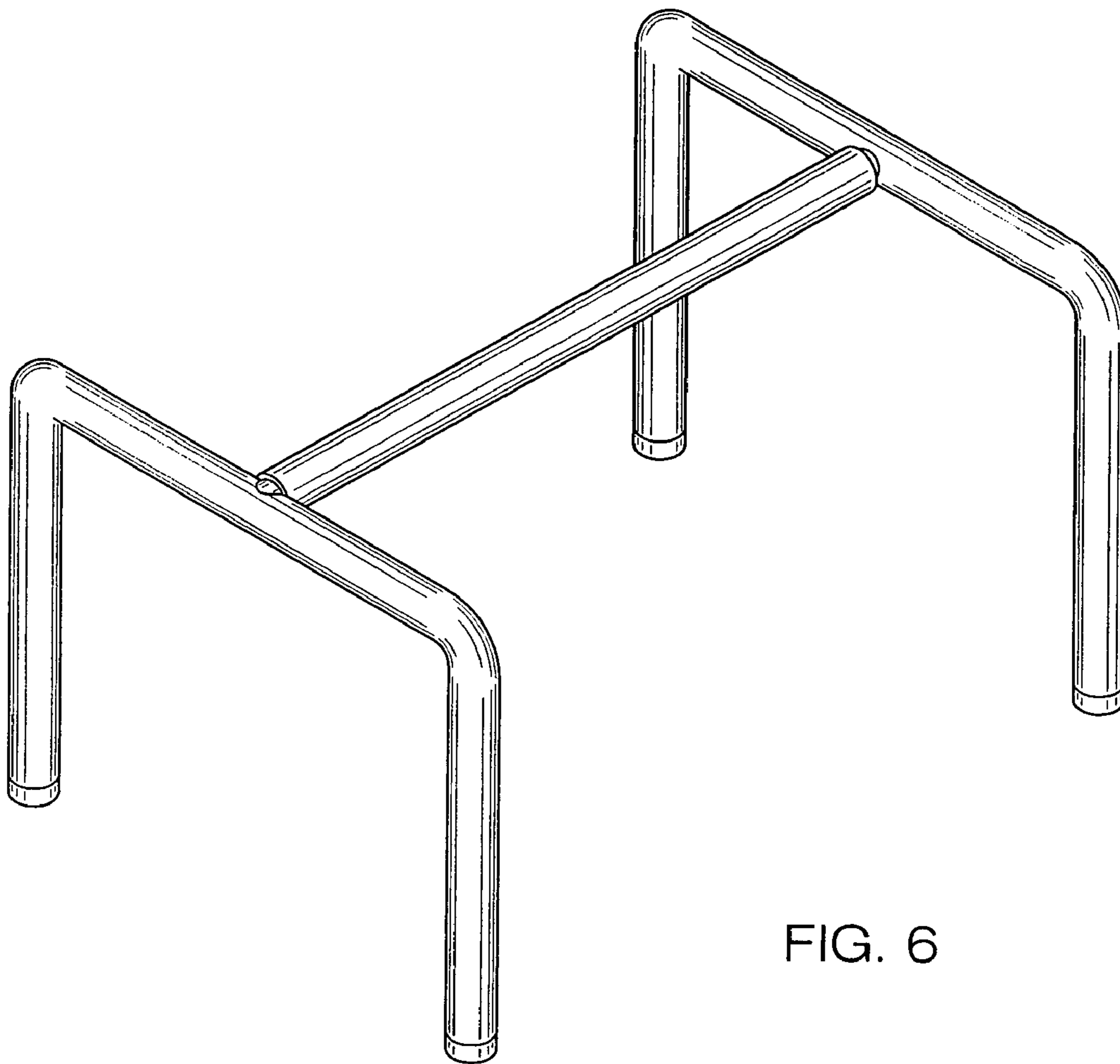


FIG. 6