



US00D562007S

(12) **United States Design Patent**
Liu

(10) **Patent No.:** **US D562,007 S**
(45) **Date of Patent:** **** Feb. 19, 2008**

(54) **SNOW BRUSH**

(76) Inventor: **David Liu**, No. 24, Lane 180, Sec. 3,
Kangning Road, Neihu District, Taipei
(TW)

(**) Term: **14 Years**

(21) Appl. No.: **29/282,339**

(22) Filed: **Jul. 17, 2007**

(51) **LOC (8) Cl.** **04-01**

(52) **U.S. Cl.** **D4/132**

(58) **Field of Classification Search** D4/130,
D4/132, 135, 138, 199; D32/40, 50-52;
15/143.1, 146, 159.1, 160, 191.1, 192, 193,
15/171, 176.1, 176.2, 228, 244.1

See application file for complete search history.

(56) **References Cited**

U.S. PATENT DOCUMENTS

- 3,319,278 A * 5/1967 Frazer 15/41.1
- D352,830 S * 11/1994 Wolff D4/124
- D374,750 S * 10/1996 Vanderhoef et al. D32/50
- D386,907 S * 12/1997 Rittenbaum D4/199

D544,667 S * 6/2007 Nelson et al. D32/50

* cited by examiner

Primary Examiner—Cathron Brooks
Assistant Examiner—Lavone D. Tabor
(74) *Attorney, Agent, or Firm*—Banger Shia

(57) **CLAIM**

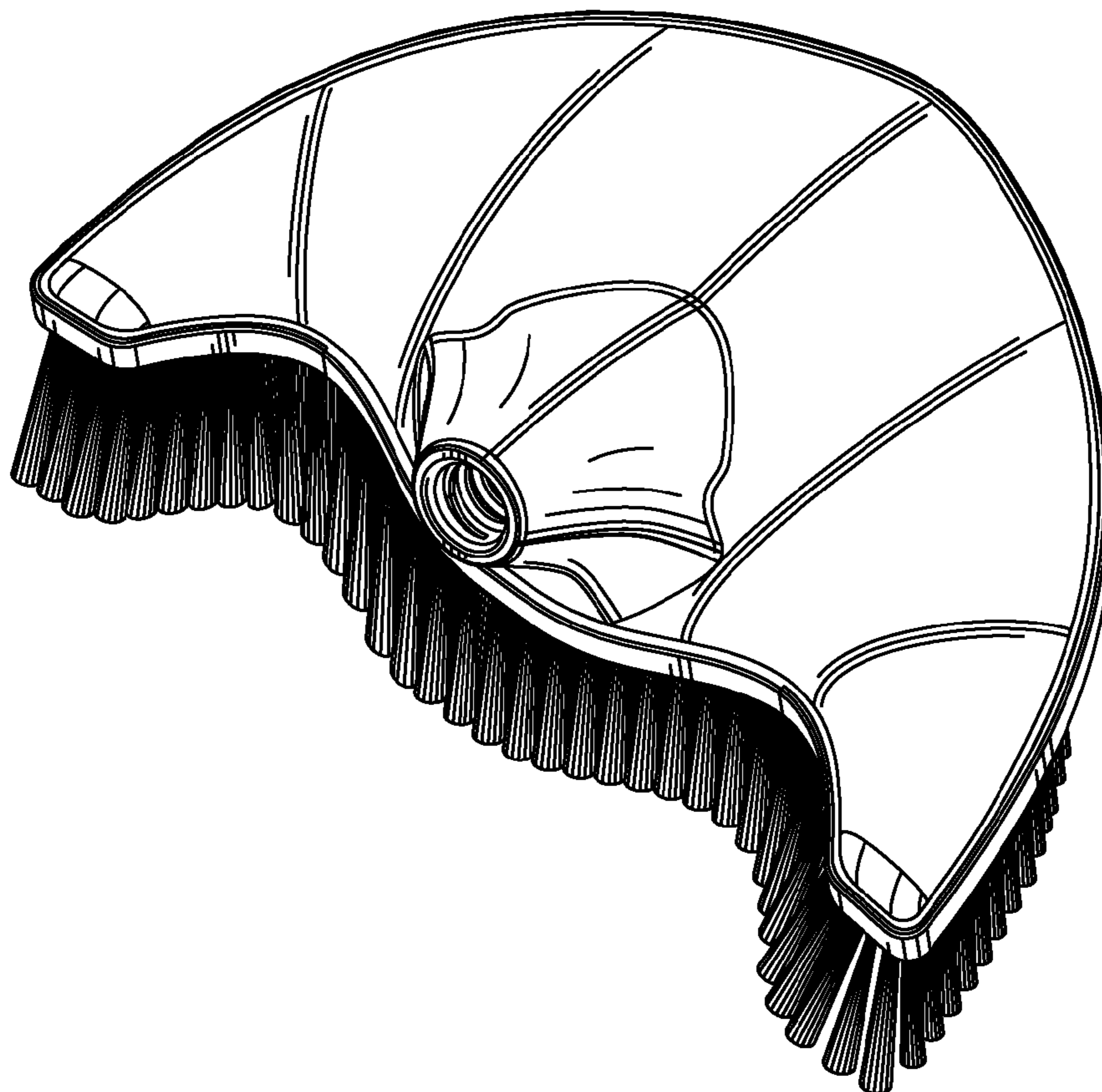
The ornamental design for a snow brush, as shown and described.

DESCRIPTION

FIG. 1 is a perspective view of a snow brush showing my present design,
FIG. 2 is a front view thereof;
FIG. 3 is a rear view thereof;
FIG. 4 is a left view thereof;
FIG. 5 is a right view thereof;
FIG. 6 is a top view thereof; and,
FIG. 7 is a bottom view.

The tips of the individual strands that make up the bristle tufts are omitted within the bounds of each of the round tufts in FIG. 3 for ease of illustration.

1 Claim, 4 Drawing Sheets



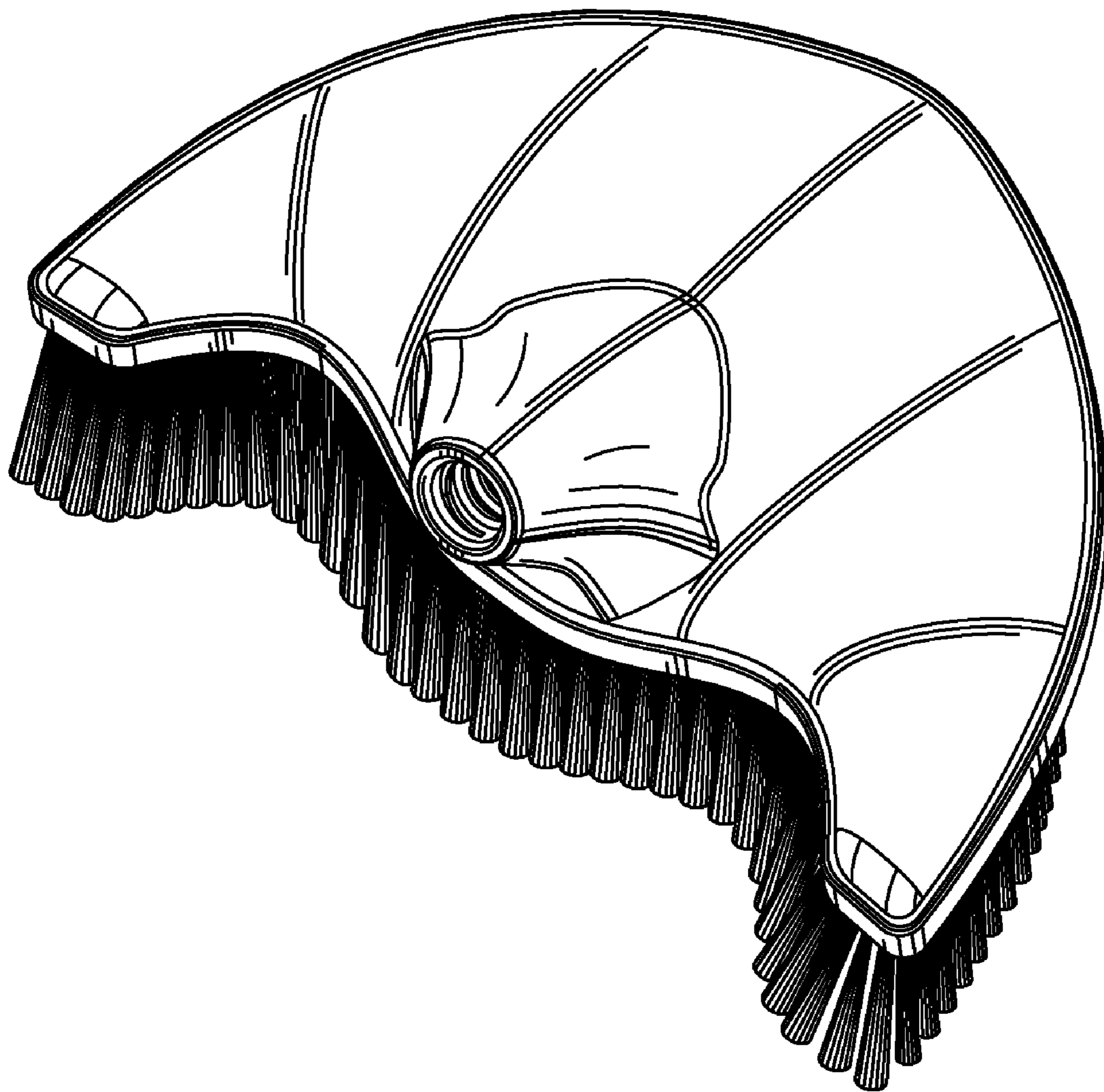


FIG. 1

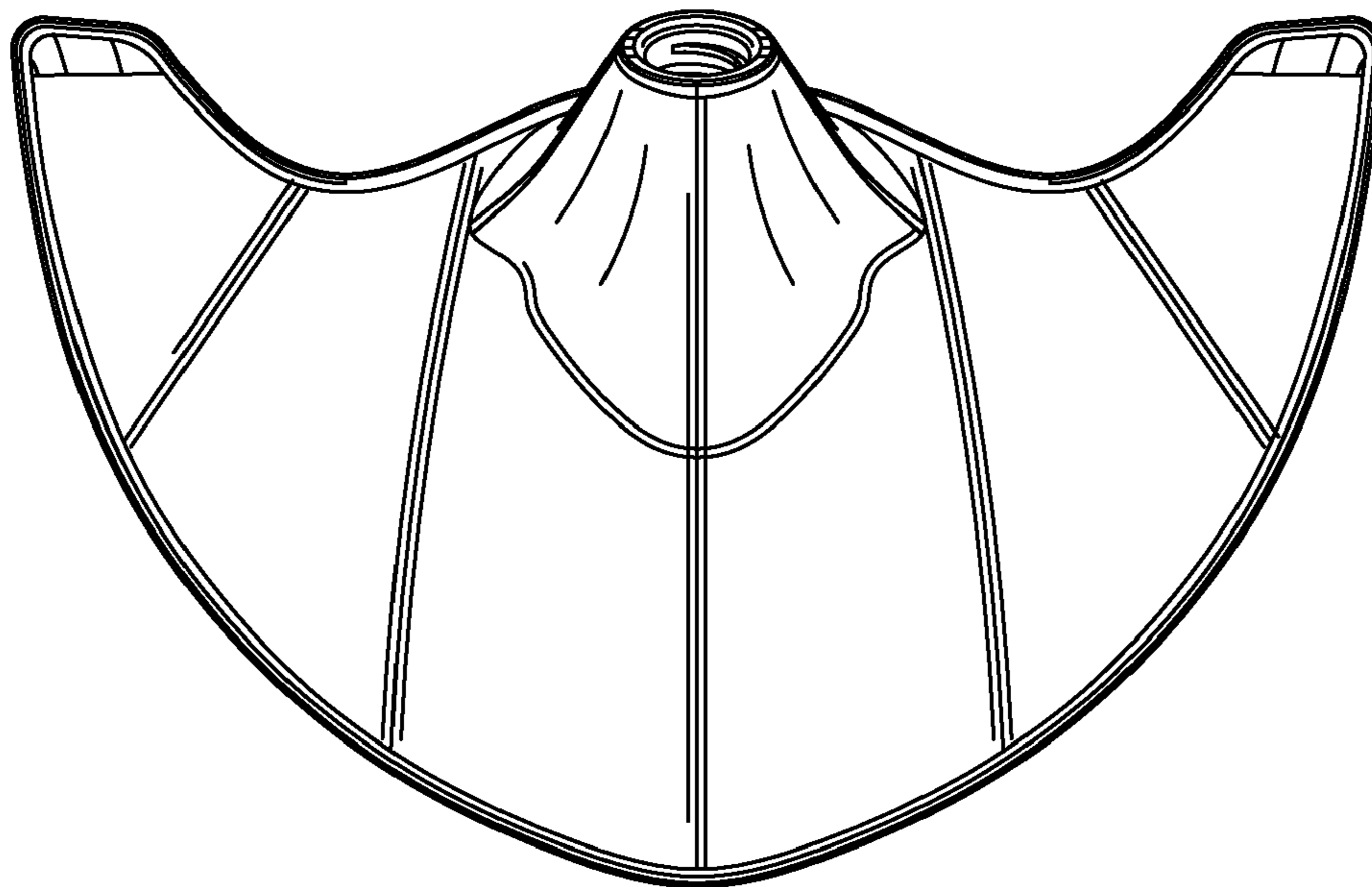


FIG. 2

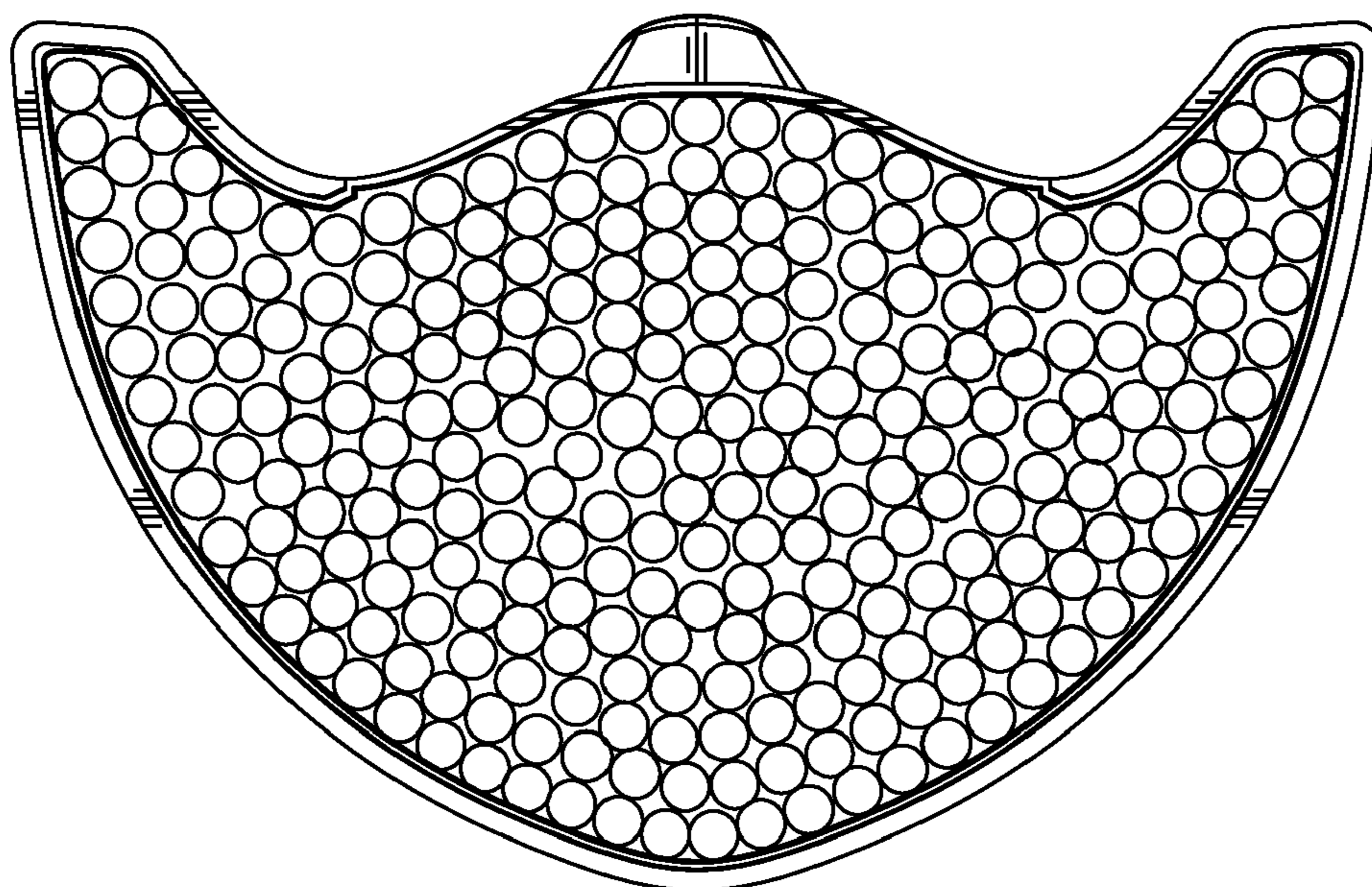


FIG. 3

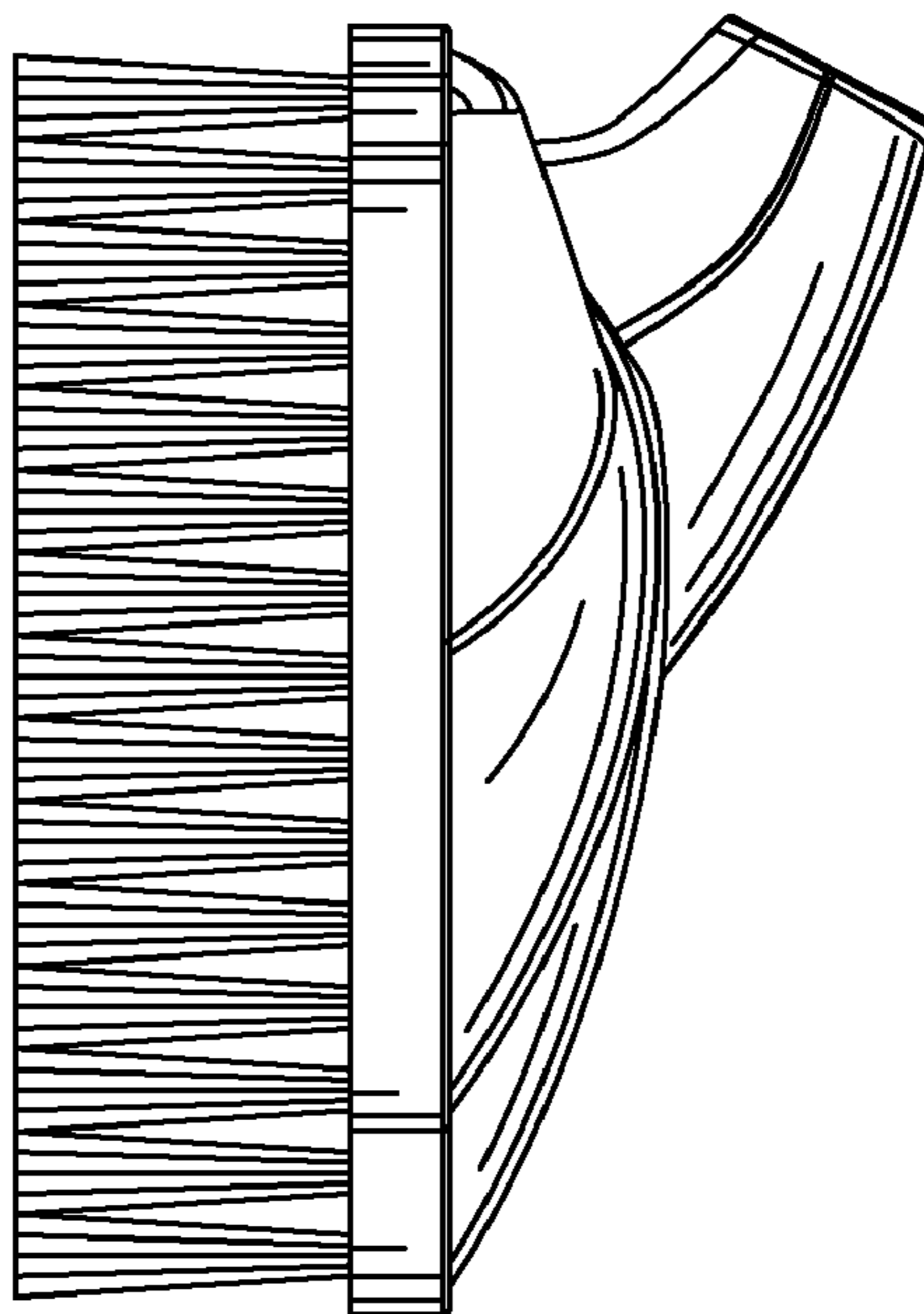


FIG. 4

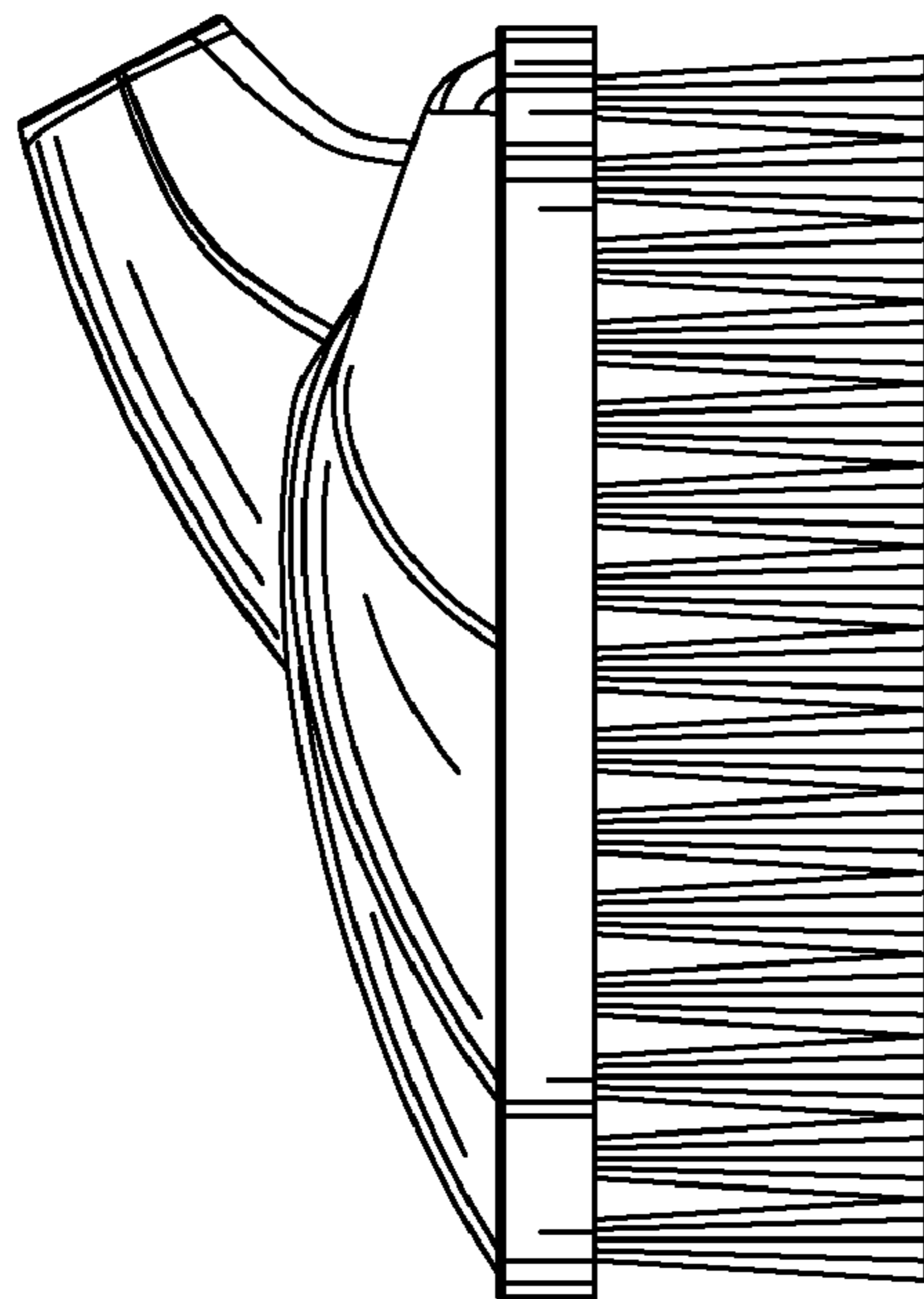


FIG. 5

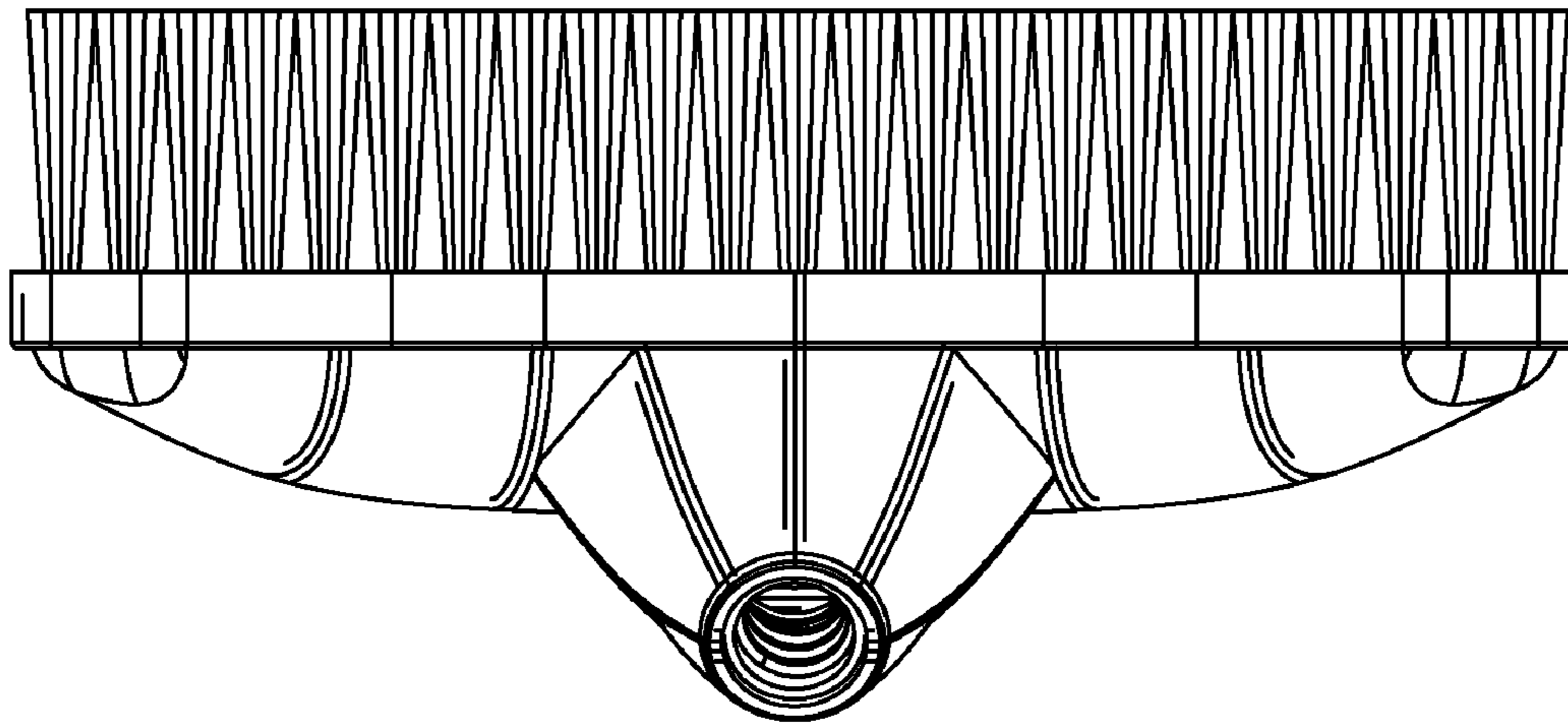


FIG. 6

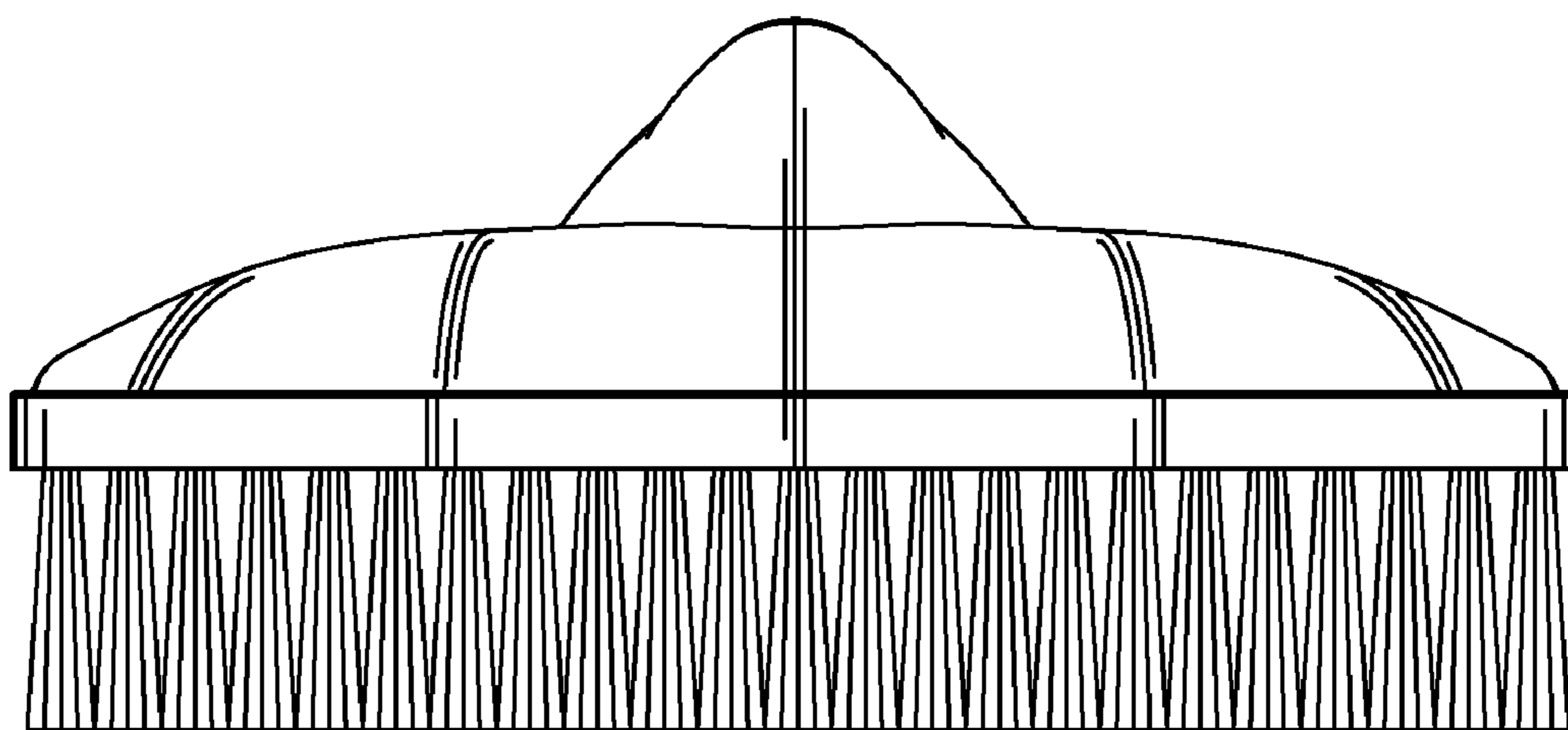


FIG. 7