



US00D562005S

(12) **United States Design Patent**  
**King**

(10) **Patent No.:** **US D562,005 S**

(45) **Date of Patent:** **\*\* Feb. 19, 2008**

(54) **FINGER BRUSH FOR HAIR CUTTERS**

(76) Inventor: **Leonard J. King**, 668 Carrigan Woods  
Trail, Oviedo, FL (US) 32765

(\*\*) Term: **14 Years**

(21) Appl. No.: **29/238,828**

(22) Filed: **Sep. 22, 2005**

(51) **LOC (8) Cl.** ..... **04-02**

(52) **U.S. Cl.** ..... **D4/129; D4/135**

(58) **Field of Classification Search** ..... D4/114,  
D4/127, 129, 132, 135, 138, 199; 15/143.1,  
15/159.1, 160, 191.1, 192, 193; 132/286,  
132/289, 290, 313, 317, 320; 401/8

See application file for complete search history.

(56) **References Cited**

**U.S. PATENT DOCUMENTS**

2,180,394 A	11/1939	Bowyer	
D134,141 S *	10/1942	Smith	D4/127
D136,030 S	7/1943	Belmonte et al.	
3,018,498 A	1/1962	Wasserman	
3,132,887 A	5/1964	Martinez	
D251,159 S *	2/1979	Tolliver	D4/114
D251,516 S	4/1979	Guedel	
D269,481 S *	6/1983	Souza	D4/114
4,617,694 A	10/1986	Bori	
4,679,274 A	7/1987	Friedman	

5,068,941 A	12/1991	Dunn	
D347,326 S *	5/1994	Coleman	D4/135
5,765,252 A	6/1998	Carr	
D539,546 S *	4/2007	Huller	D4/127
D547,953 S *	8/2007	Germany et al.	D4/129

\* cited by examiner

*Primary Examiner*—Cathron Brooks  
*Assistant Examiner*—Lavone D. Tabor  
(74) *Attorney, Agent, or Firm*—William M. Hobby, III

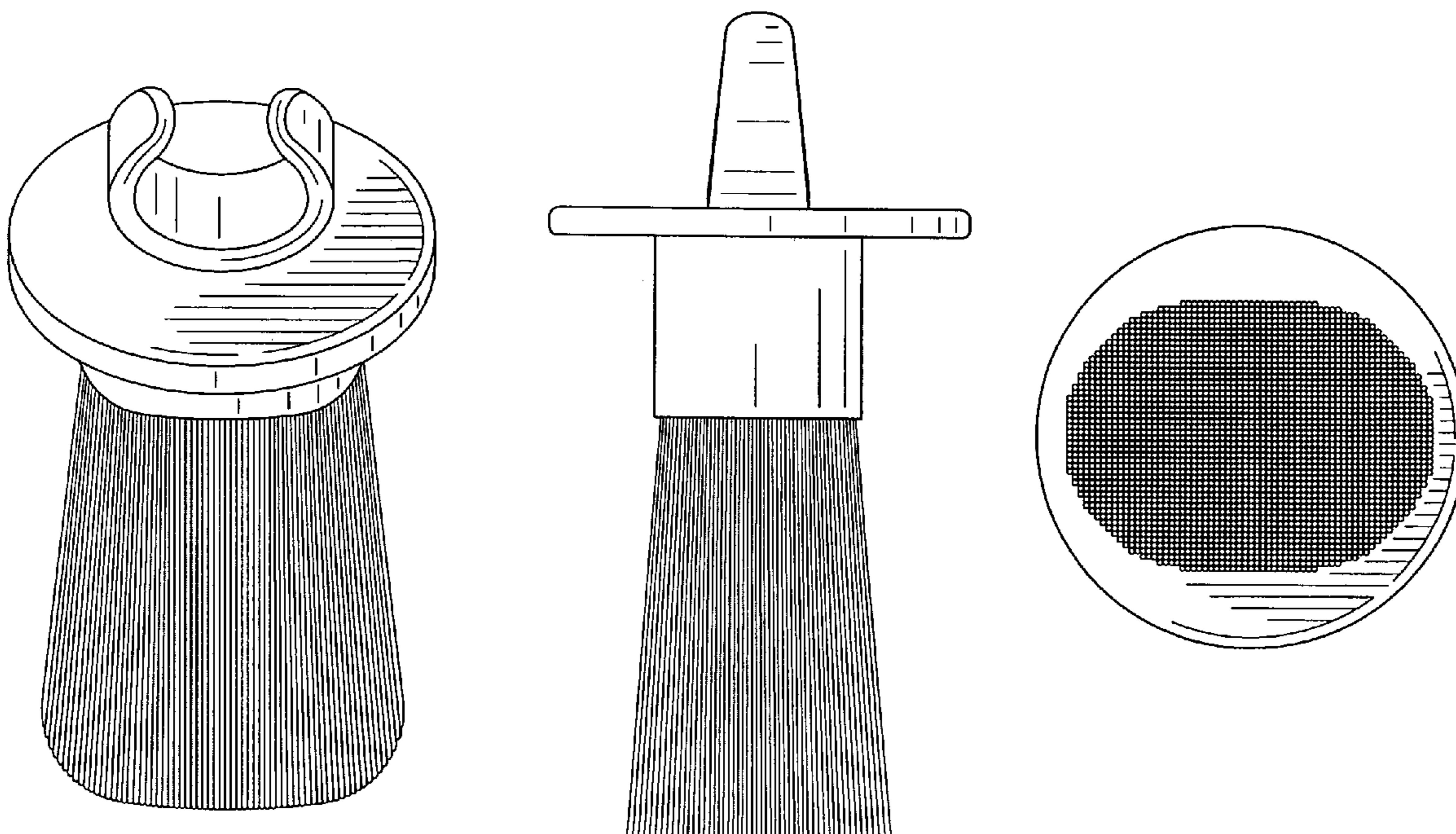
(57) **CLAIM**

The ornamental design for a finger brush for hair cutters, as shown and described.

**DESCRIPTION**

FIG. 1 is a top front side perspective view of my new finger brush for hair cutters;  
FIG. 2 is a rear side elevation;  
FIG. 3 is a right side elevation, the left side elevation being a mirror image thereof;  
FIG. 4 is a top plan view;  
FIG. 5 is a bottom plan view; and,  
FIG. 6 is a top front perspective of an alternate embodiment identical except for shorter bristles.

**1 Claim, 2 Drawing Sheets**



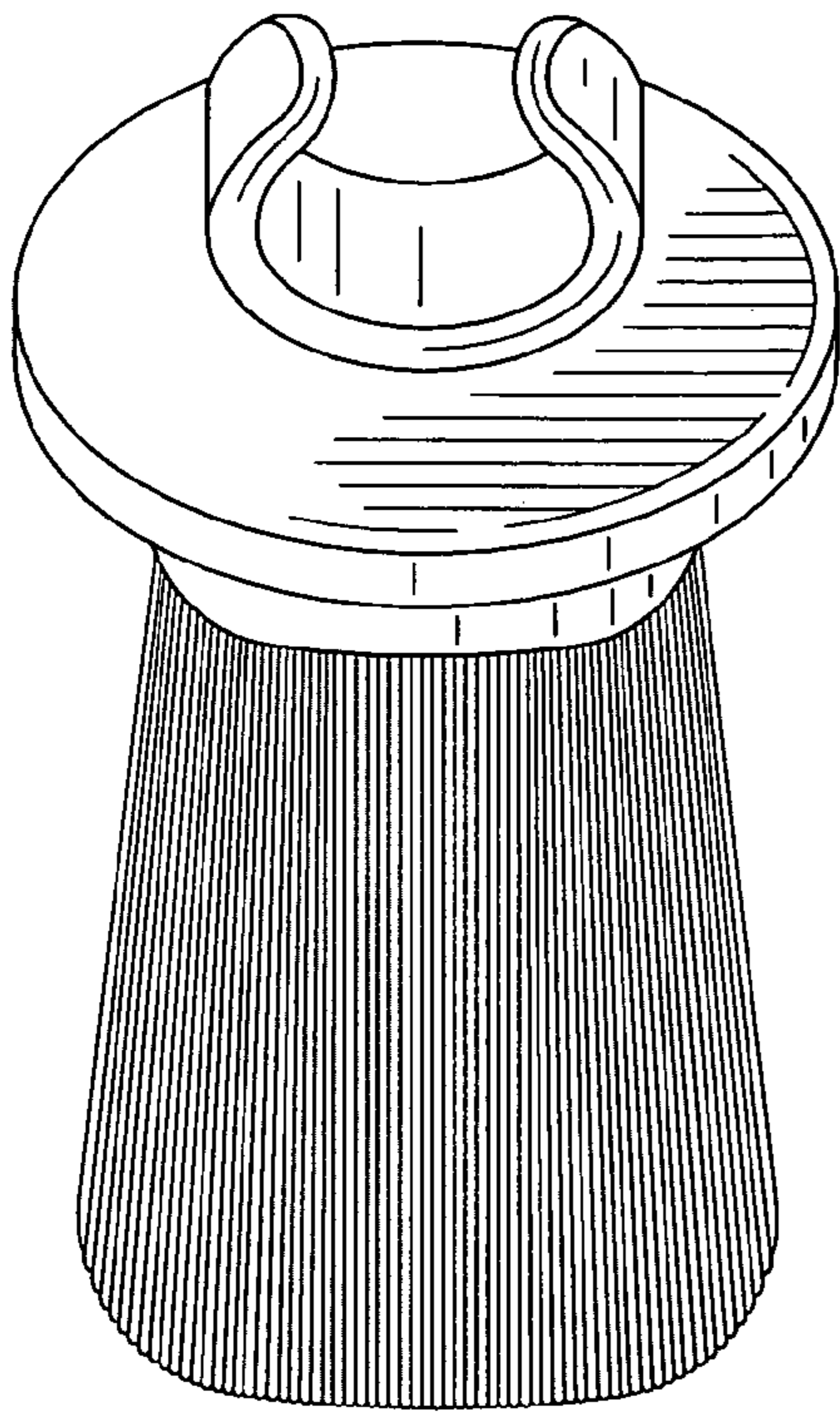


FIG. 1

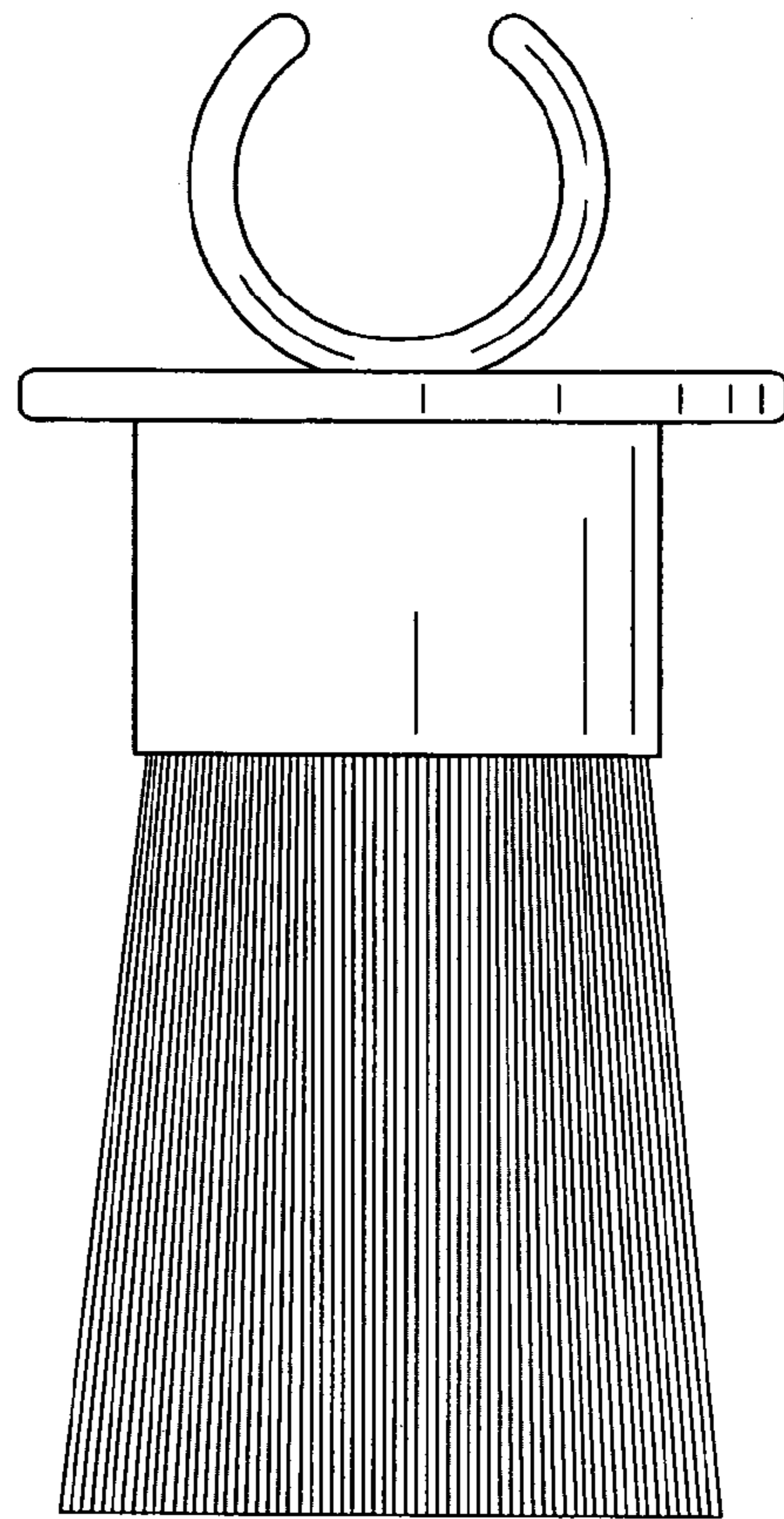


FIG. 2

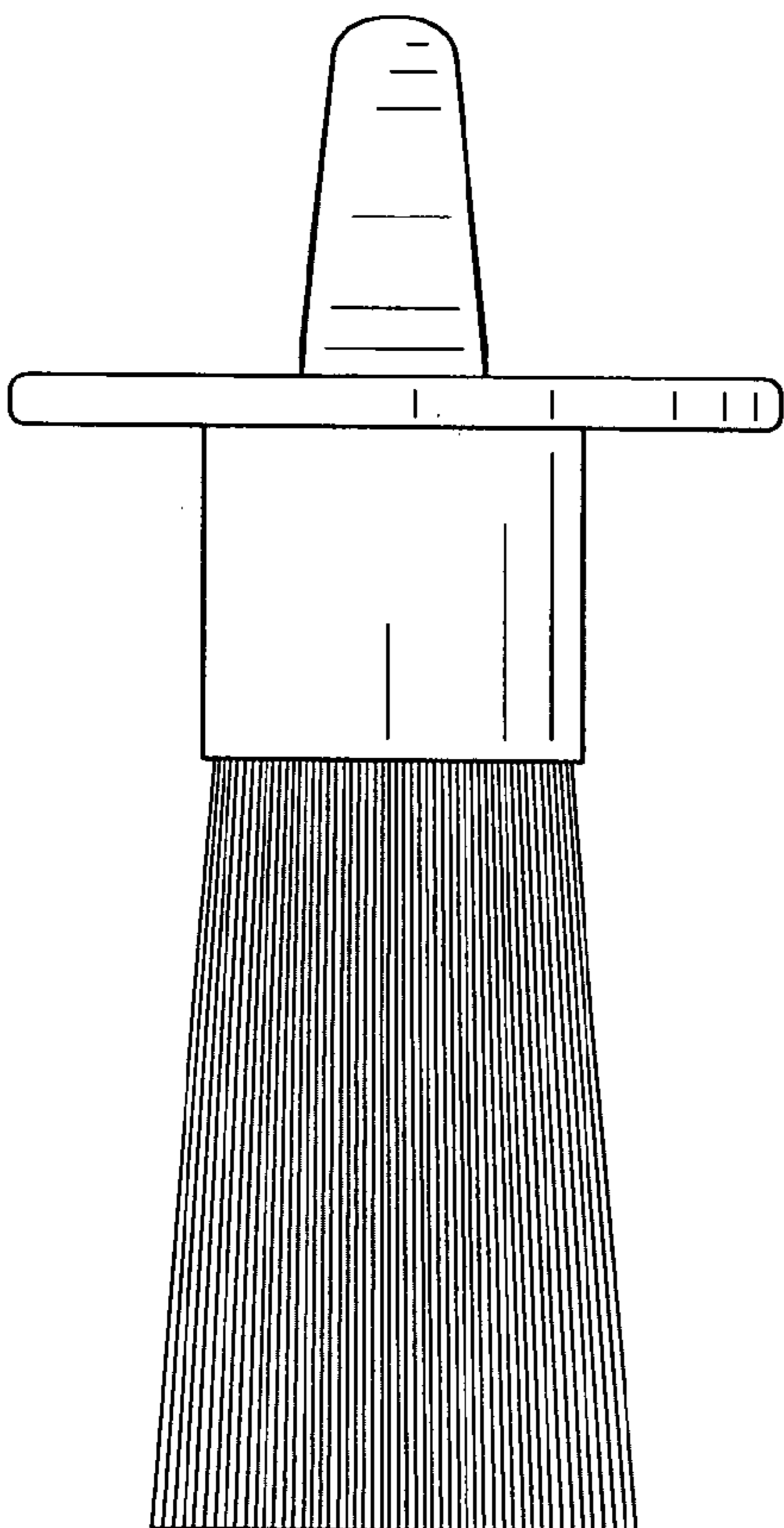


FIG. 3

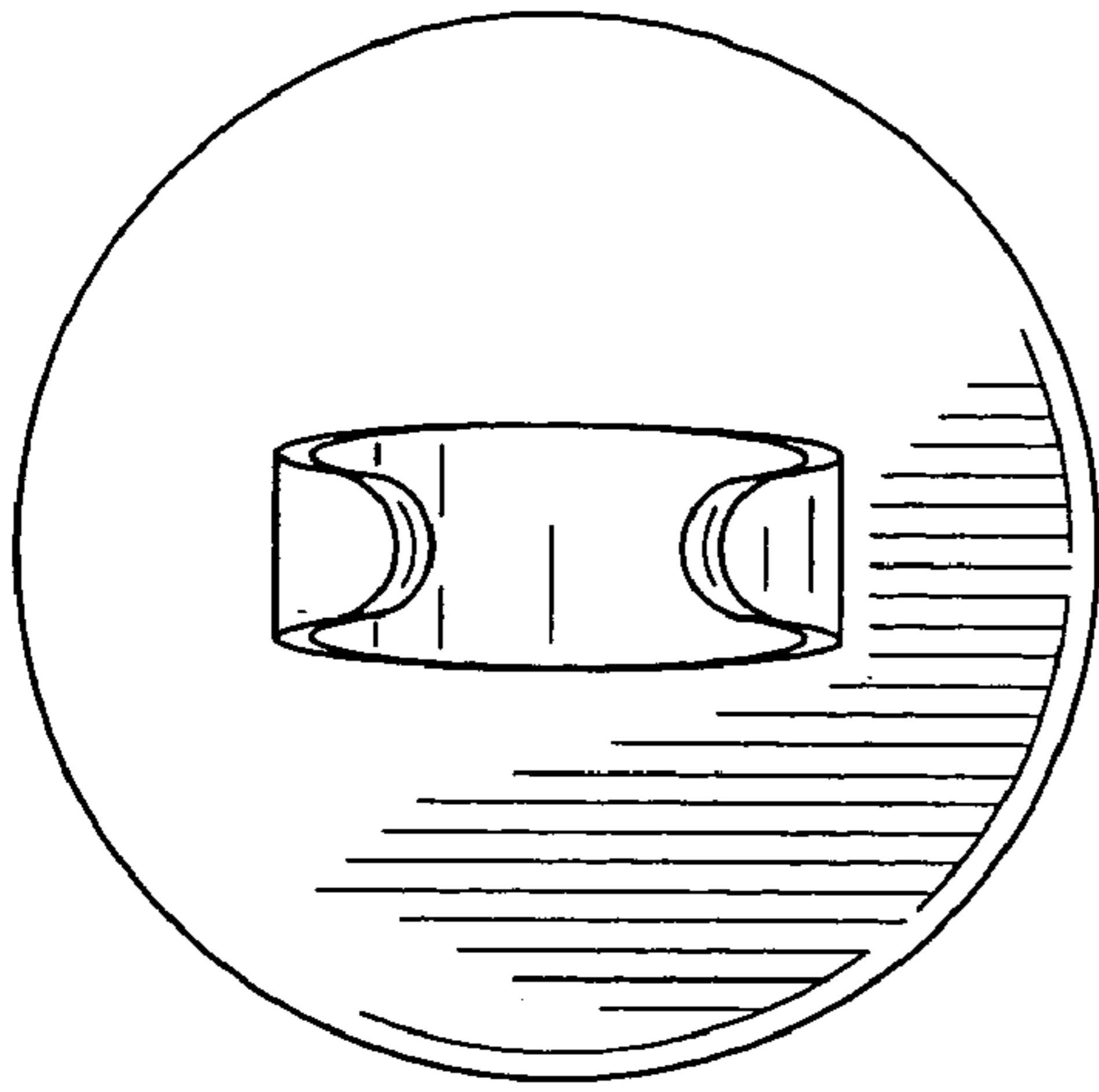


FIG. 4

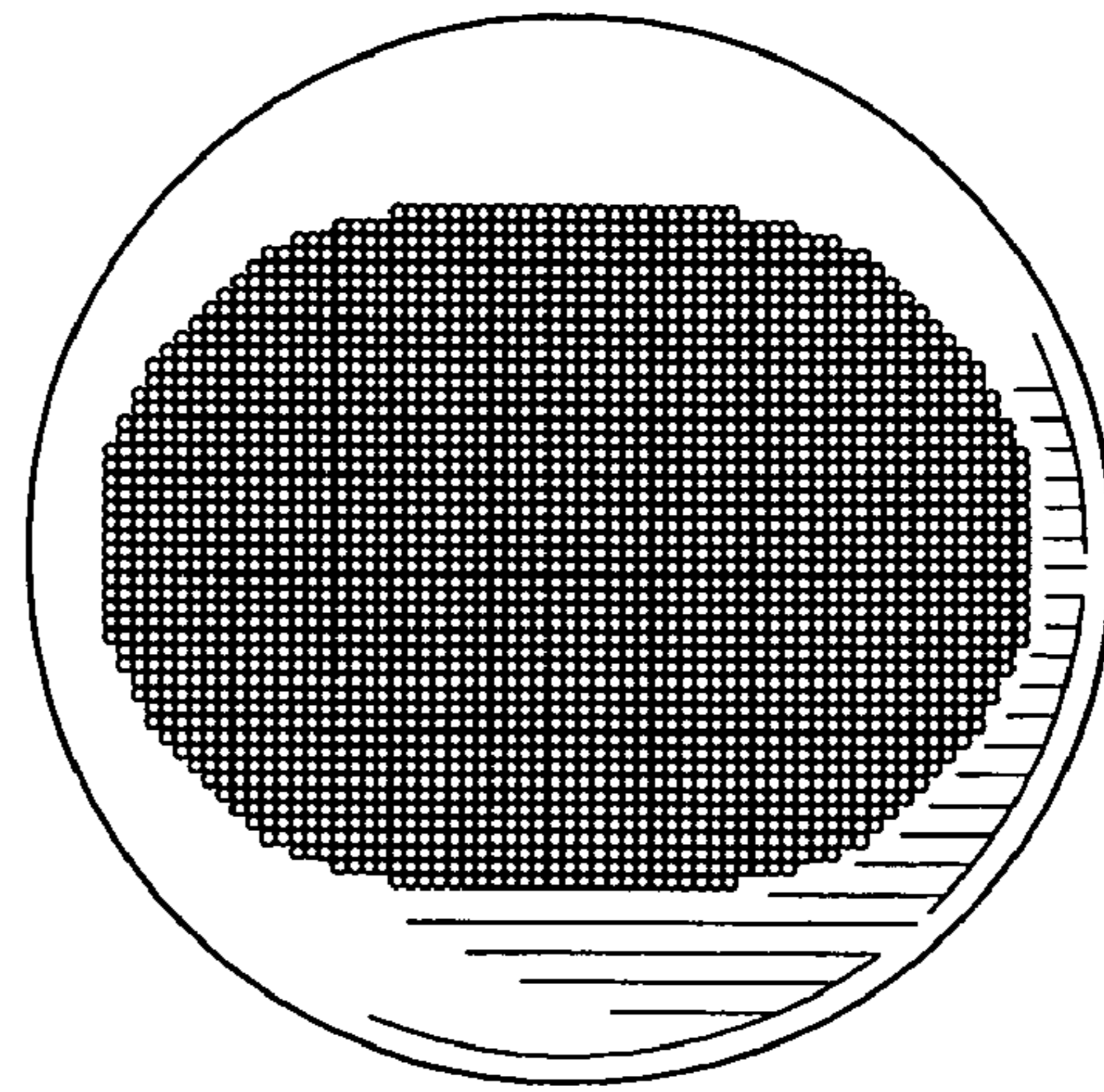


FIG. 5

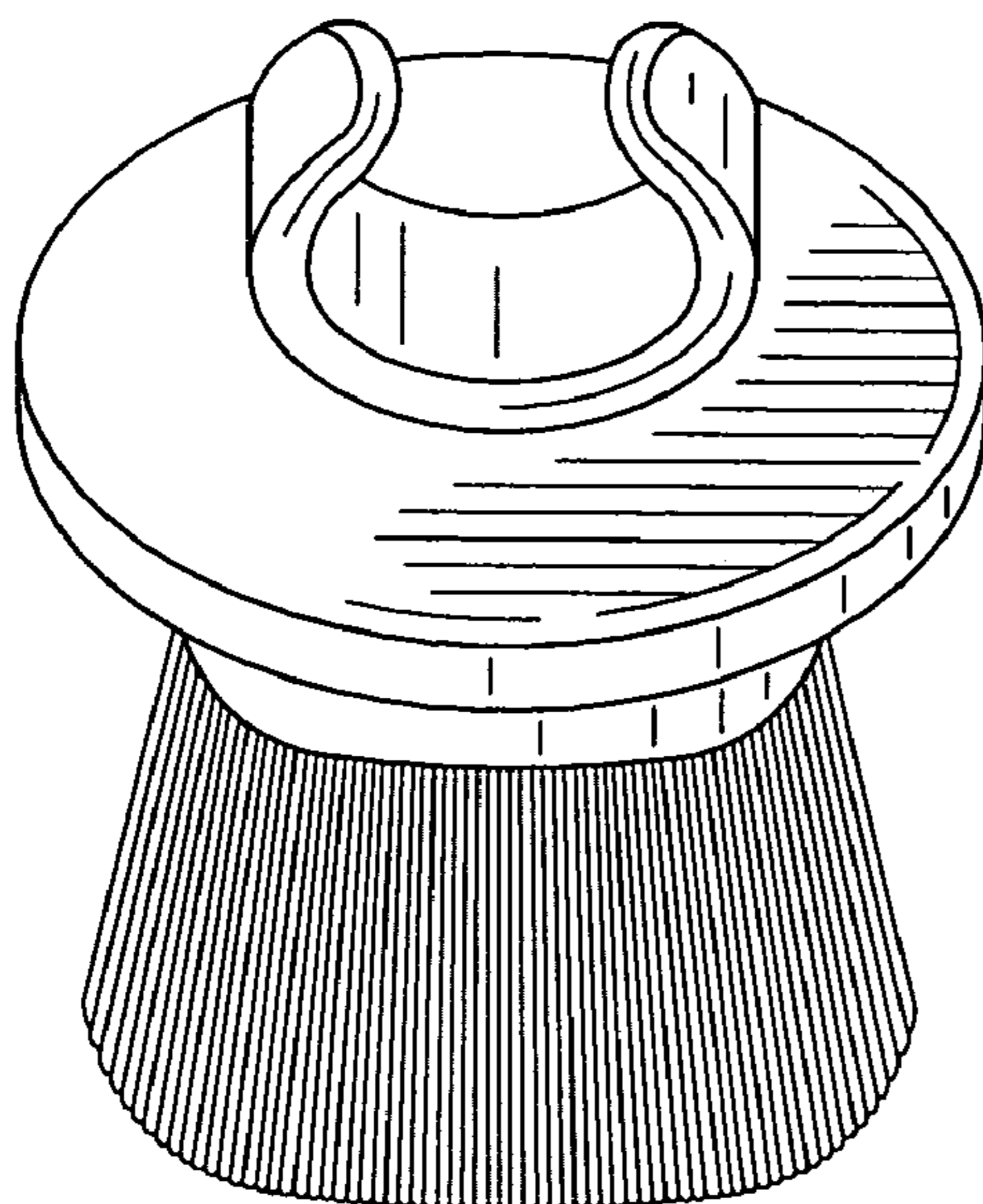


FIG. 6