



US00D562003S

(12) **United States Design Patent** (10) **Patent No.:** **US D562,003 S**  
**Liu** (45) **Date of Patent:** **\*\* Feb. 19, 2008**

(54) **DETACHABLE SNOW BRUSH**

(76) Inventor: **Dexin Liu**, No. 127-129, Jingouan Rd.,  
Jimei District, Xianmen, Fujian 361000  
(CN)

(\*\*) Term: **14 Years**

(21) Appl. No.: **29/288,229**

(22) Filed: **Jun. 5, 2007**

(51) **LOC (8) Cl.** ..... **04-01**

(52) **U.S. Cl.** ..... **D4/118; D4/121**

(58) **Field of Classification Search** ..... D4/116,  
D4/118, 121, 129, 132, 134, 138; D32/42,  
D32/46, 48, 49; 15/111, 117, 143.1, 159.1,  
15/160, 236.01, 236.02, 236.08; 16/430  
See application file for complete search history.

(56) **References Cited**

**U.S. PATENT DOCUMENTS**

2,792,584 A \* 5/1957 Fryda ..... 15/236.02  
D258,779 S \* 4/1981 Hopkins et al. .... D4/118  
D337,436 S \* 7/1993 Hopkins ..... D4/118  
D373,251 S \* 9/1996 Young ..... D4/118  
D424,305 S \* 5/2000 Lozeau et al. .... D4/118

**OTHER PUBLICATIONS**

KR 1998-002509 Industrial Design Application, Oct. 15, 1998  
[online], [retrieved on Sep. 6, 2007] Retrieved from the Korean

Design Database of the Korea Industrial Property Rights Informa-  
tion Service using the Internet <URL: <http://eng.kipris.or.kr>>.\*

\* cited by examiner

*Primary Examiner*—Cathron Brooks  
*Assistant Examiner*—Lavone D. Tabor  
(74) *Attorney, Agent, or Firm*—Greer, Burns & Crain, Ltd.

(57) **CLAIM**

The ornamental design for a detachable snow brush, as  
shown and described.

**DESCRIPTION**

FIG. 1 is a right side elevational view, the left side being a  
mirror image of same;

FIG. 2 is a top plan view of the brush of FIG. 1;

FIG. 3 is a rear elevational view of same;

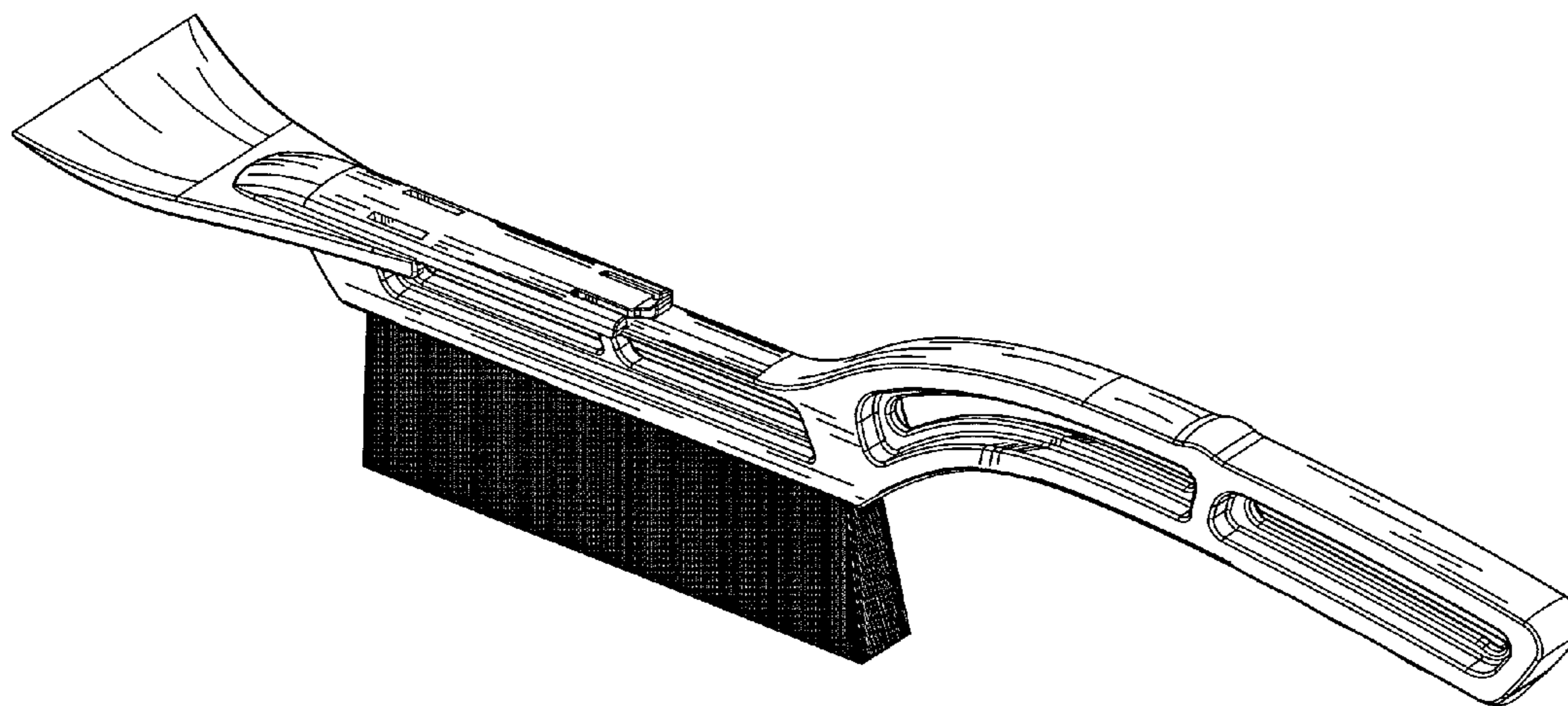
FIG. 4 is a front elevational view of same;

FIG. 5 is a top perspective view; and,

FIG. 6 is an exploded top perspective view of the brush of  
FIG. 5.

The elements shown in broken lines in FIG. 4 are included  
for the purpose of illustrating portions of the article that form  
no part of the claimed design.

**1 Claim, 4 Drawing Sheets**



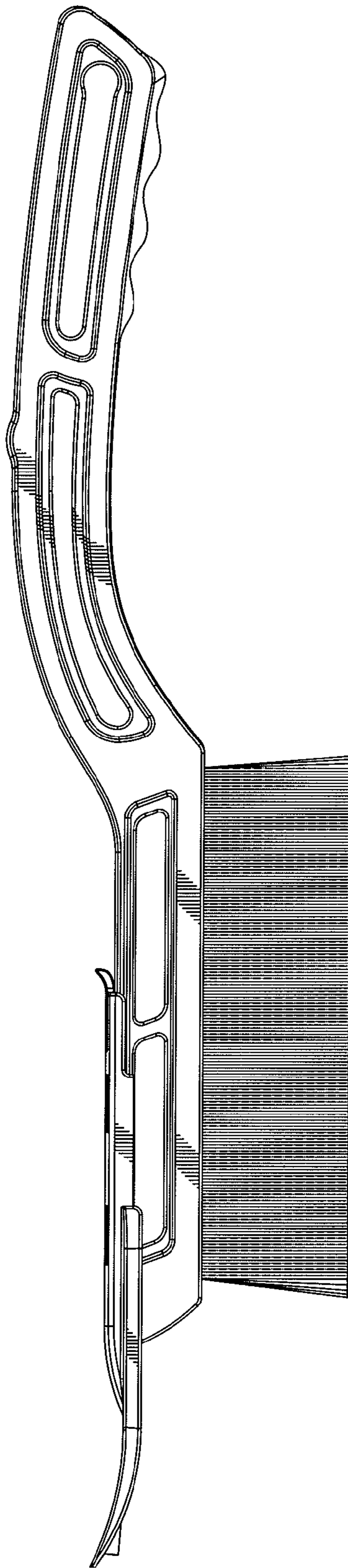


Fig. 1

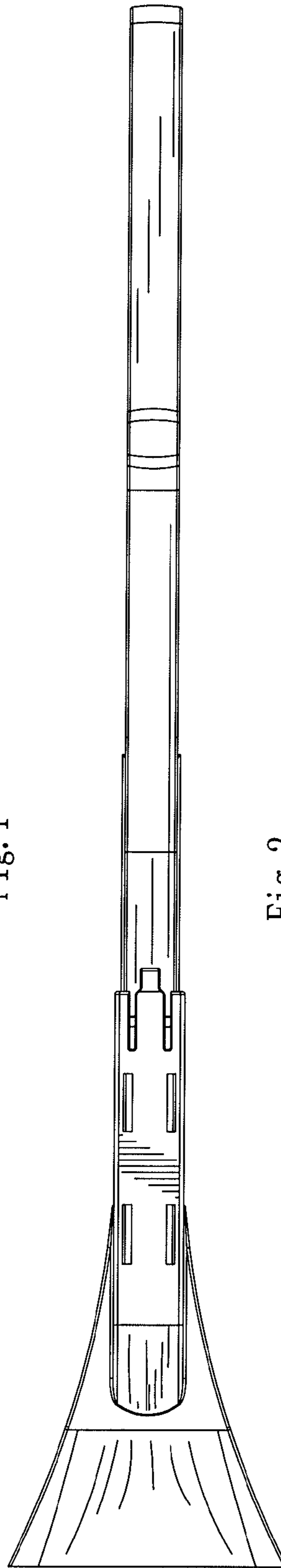


Fig. 2

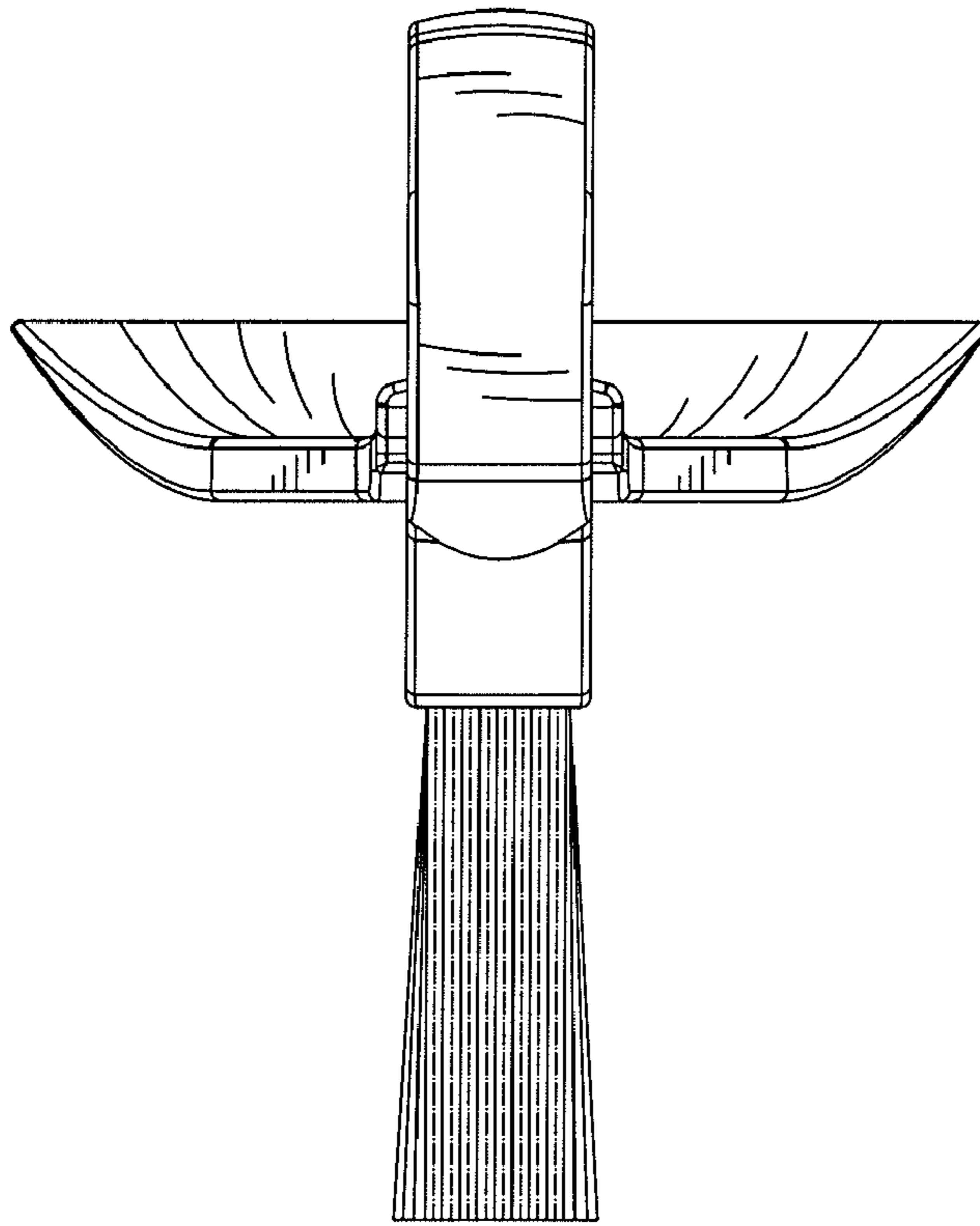


Fig. 3

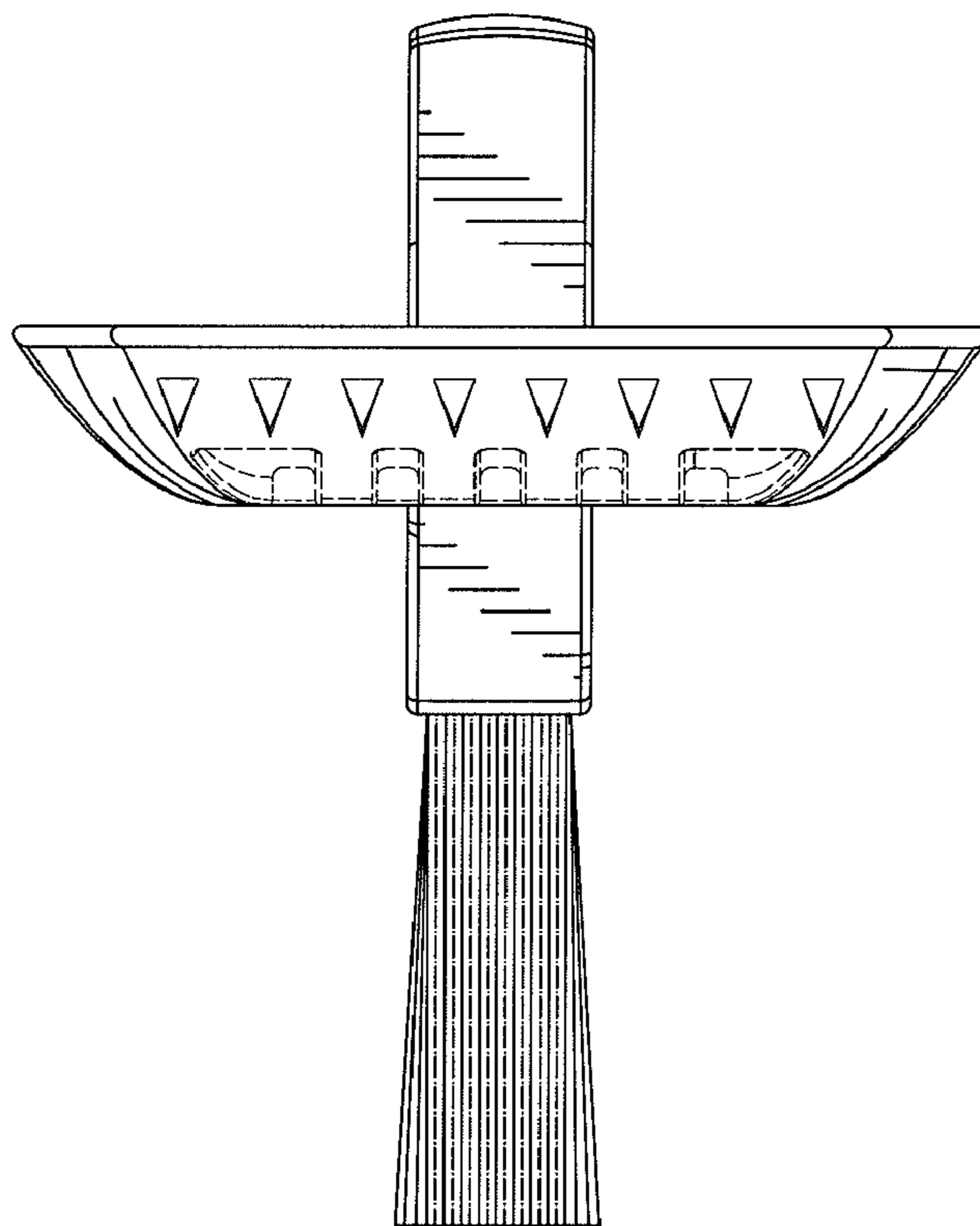


Fig. 4

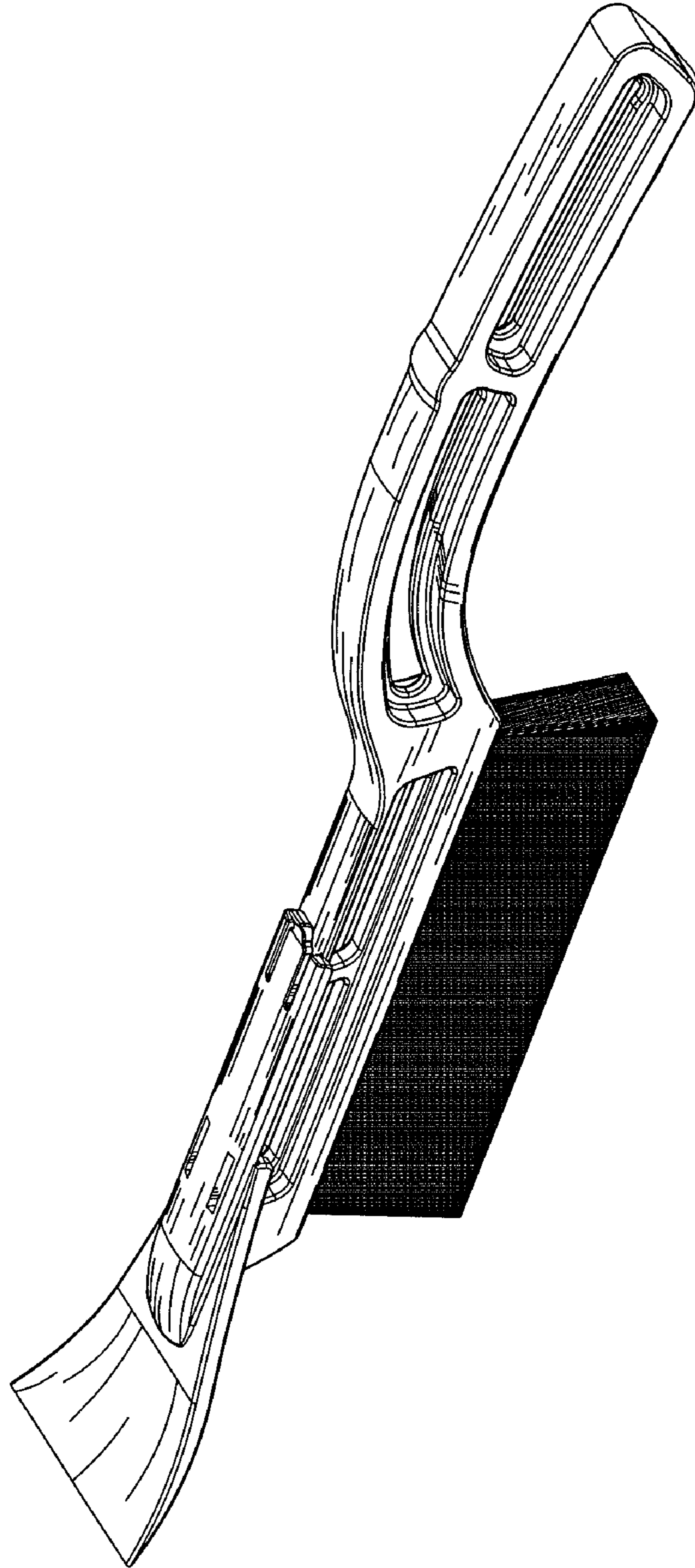


Fig. 5



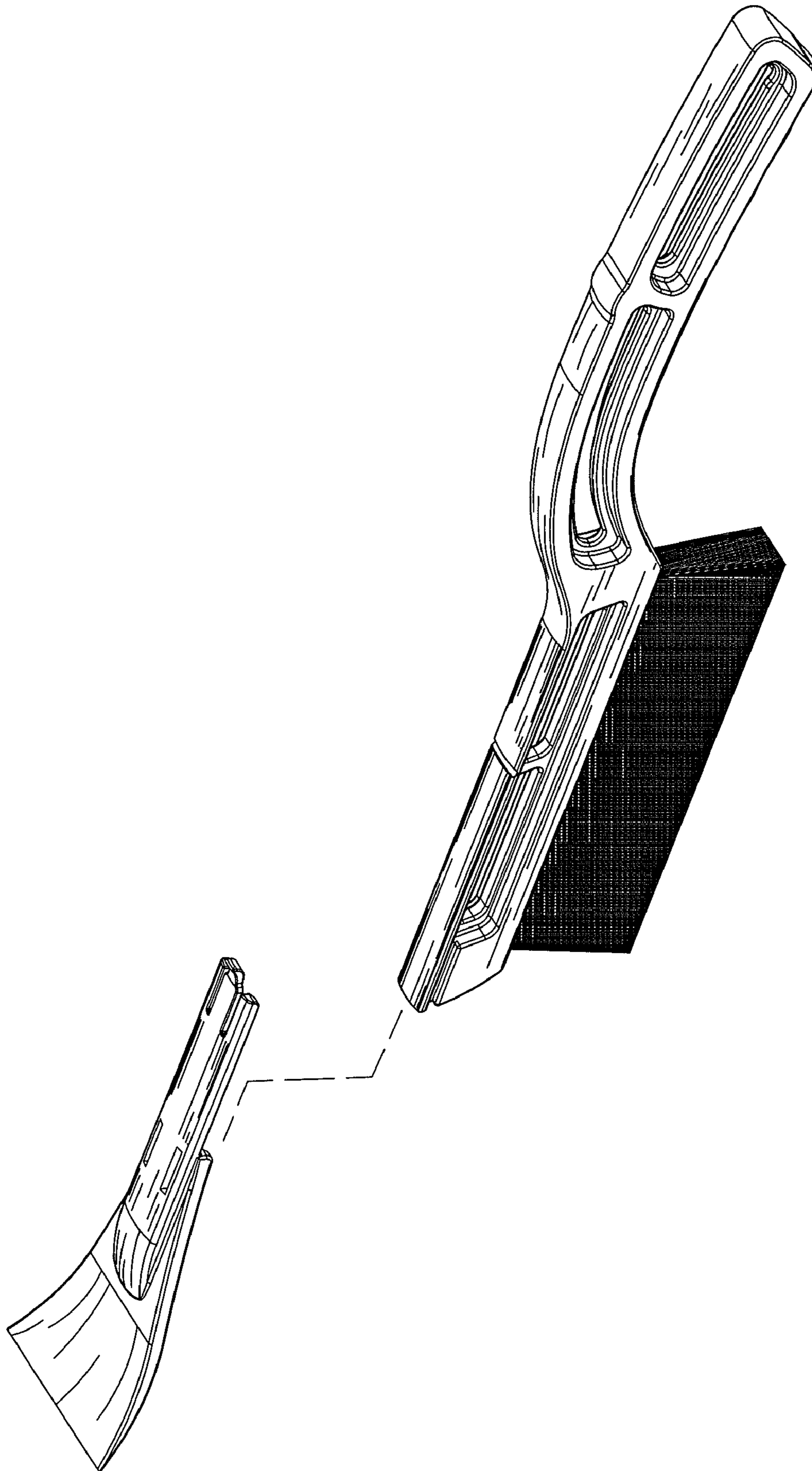


Fig. 6