



US00D561999S

(12) **United States Design Patent** (10) **Patent No.:** **US D561,999 S**
Liu (45) **Date of Patent:** **** Feb. 19, 2008**

(54) **SNOW BRUSH**

(76) Inventor: **David Liu**, No. 24, Lane 180, Sec. 3, Kangning Road, Neihu District, Taipei (TW)

(**) Term: **14 Years**

(21) Appl. No.: **29/282,014**

(22) Filed: **Jul. 9, 2007**

(51) **LOC (8) Cl.** **04-01**

(52) **U.S. Cl.** **D4/118**

(58) **Field of Classification Search** D4/116, D4/118, 129, 132, 134, 138; D32/42, 46, D32/49; 15/111, 117, 143.1, 144.3, 144.4, 15/159.1, 160, 236.01, 236.02, 236.08; 16/429, 16/430

See application file for complete search history.

(56) **References Cited**

U.S. PATENT DOCUMENTS

D335,771 S *	5/1993	Mallory et al.	D4/118
D346,903 S *	5/1994	Hillmer	D4/118
6,243,906 B1 *	6/2001	Holliday et al.	15/111
D484,655 S *	12/2003	Anderson et al.	D32/42
D501,726 S *	2/2005	Liu	D4/118
2007/0085359 A1 *	4/2007	Schouten	294/51

OTHER PUBLICATIONS

KR 1998-002509 Industrial Design Application, Oct. 15, 1998 [online], [retrieved on Sep. 6, 2007]. Retrieved from the Korean Design Database of the Korea Industrial Property Rights Information Service using the Internet <URL: <http://eng.kipris.or.kr>>.*

* cited by examiner

Primary Examiner—Cathron Brooks

Assistant Examiner—Lavone D. Tabor

(74) *Attorney, Agent, or Firm*—Banger Shia

(57) **CLAIM**

The ornamental design for a snow brush, as shown and described.

DESCRIPTION

FIG. 1 is a perspective view of a snow brush showing my present design,

FIG. 2 is a front view thereof;

FIG. 3 is a rear view thereof;

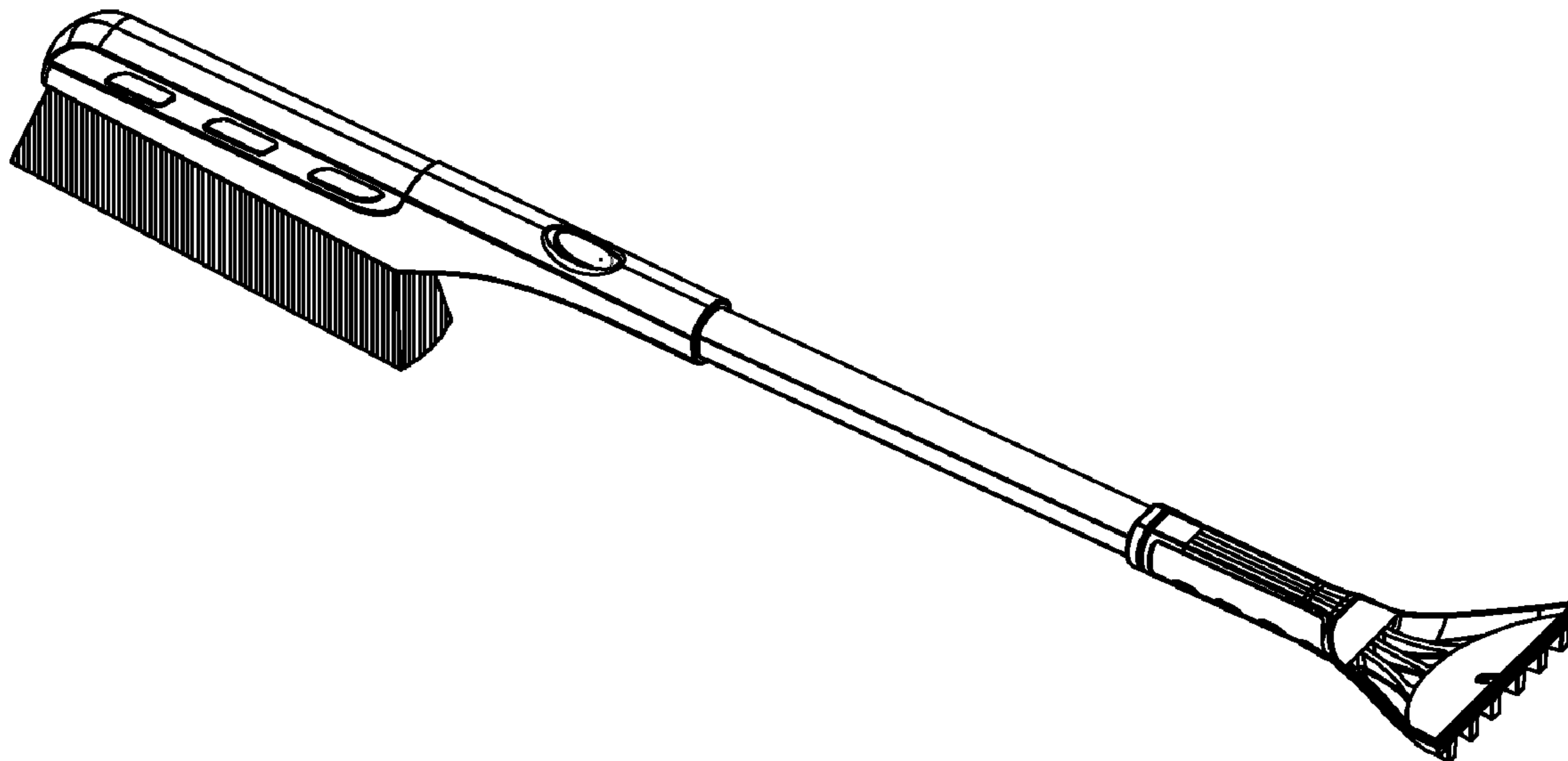
FIG. 4 is a left view thereof;

FIG. 5 is a right view thereof;

FIG. 6 is a top view thereof; and,

FIG. 7 is a bottom view.

1 Claim, 4 Drawing Sheets



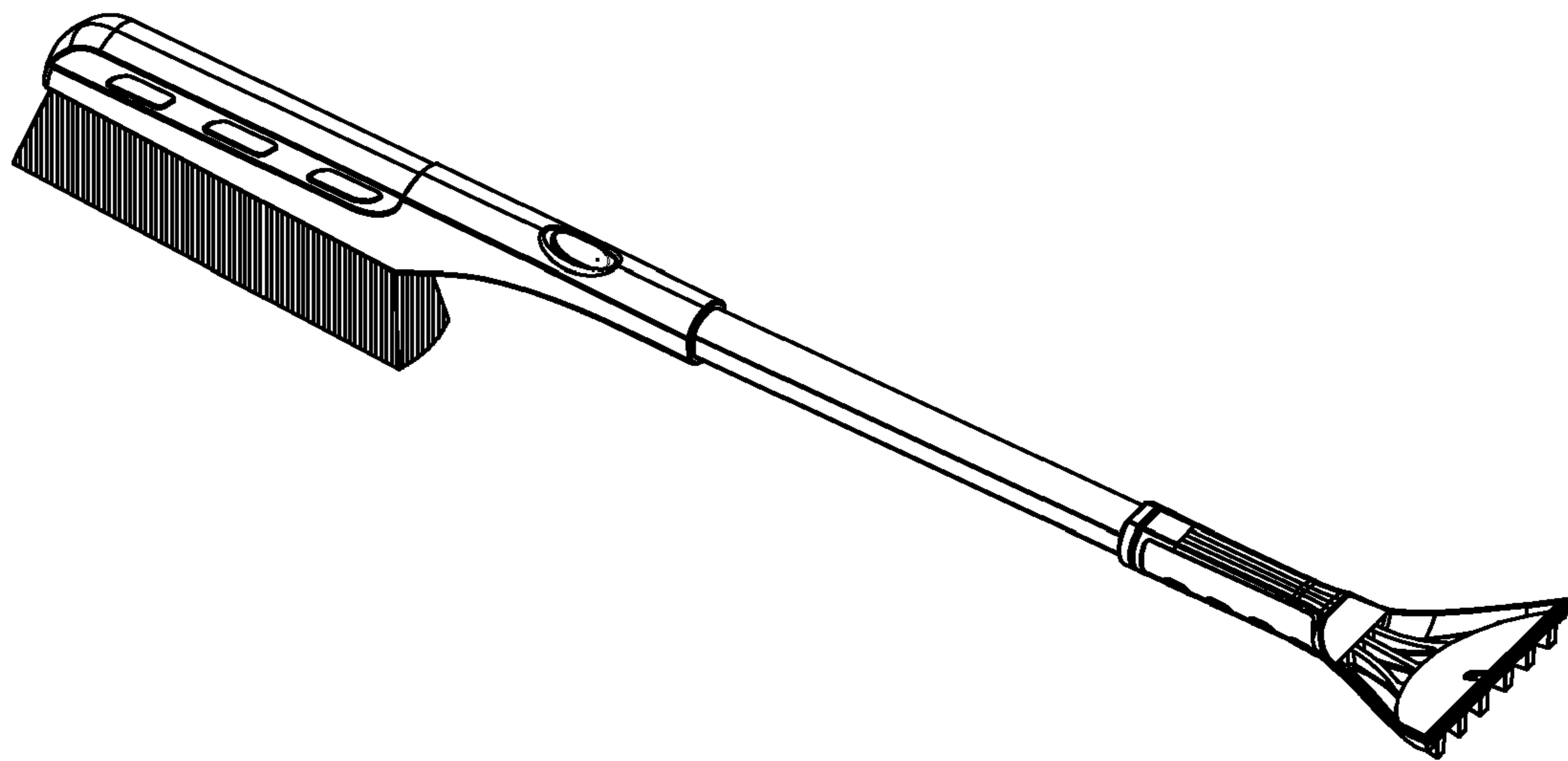


FIG. 1

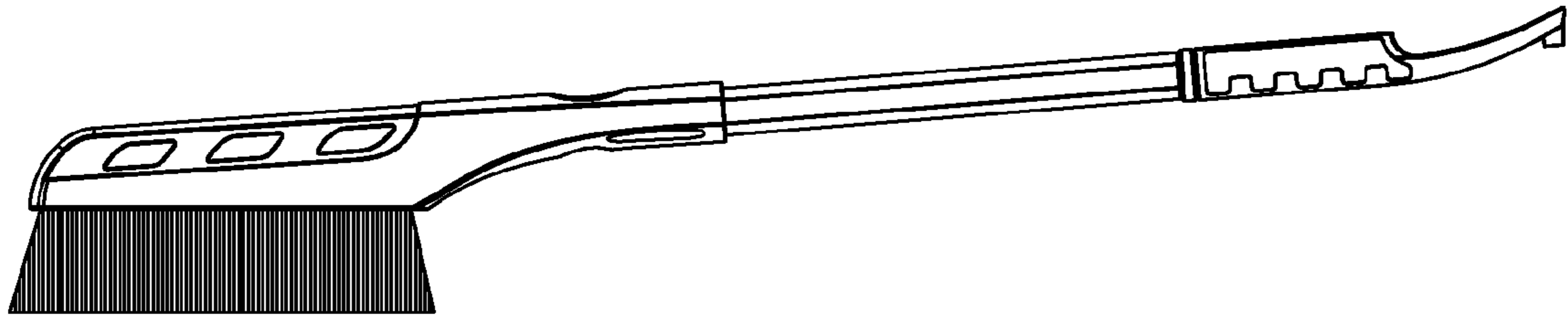


FIG. 2

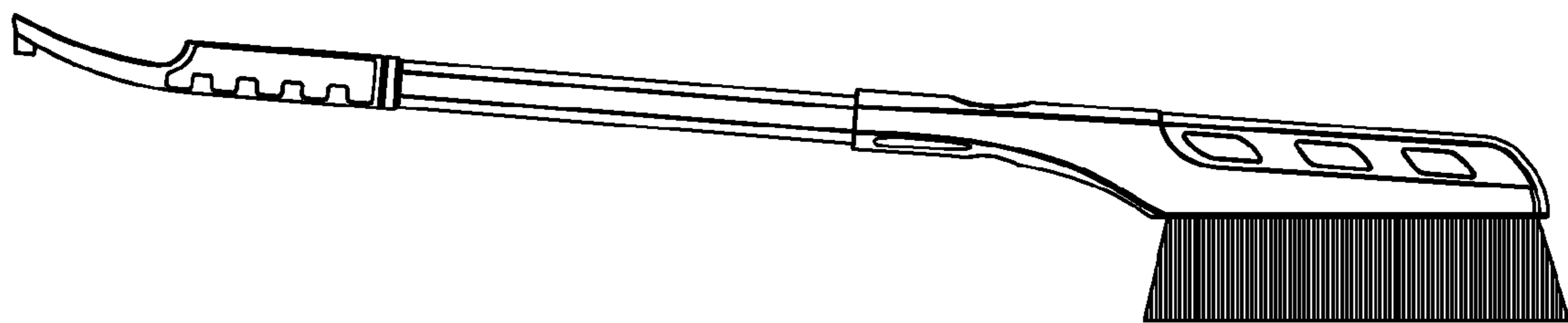


FIG. 3

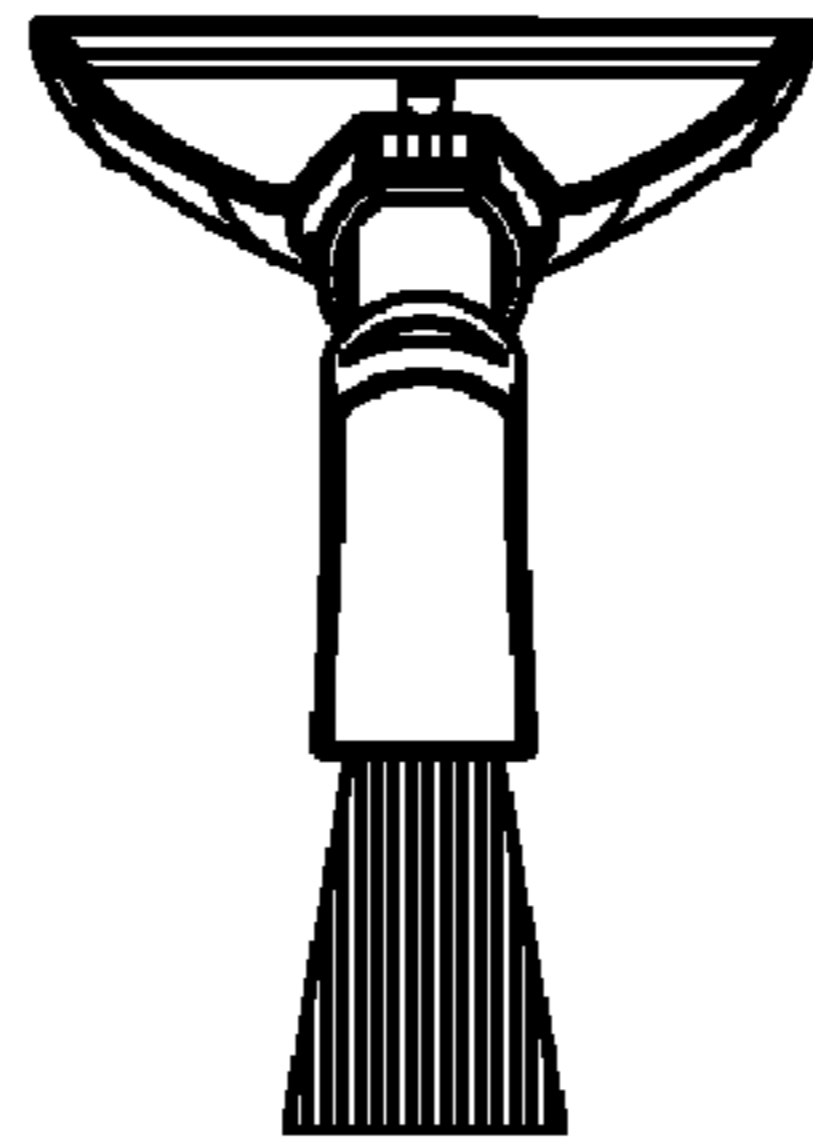


FIG. 4

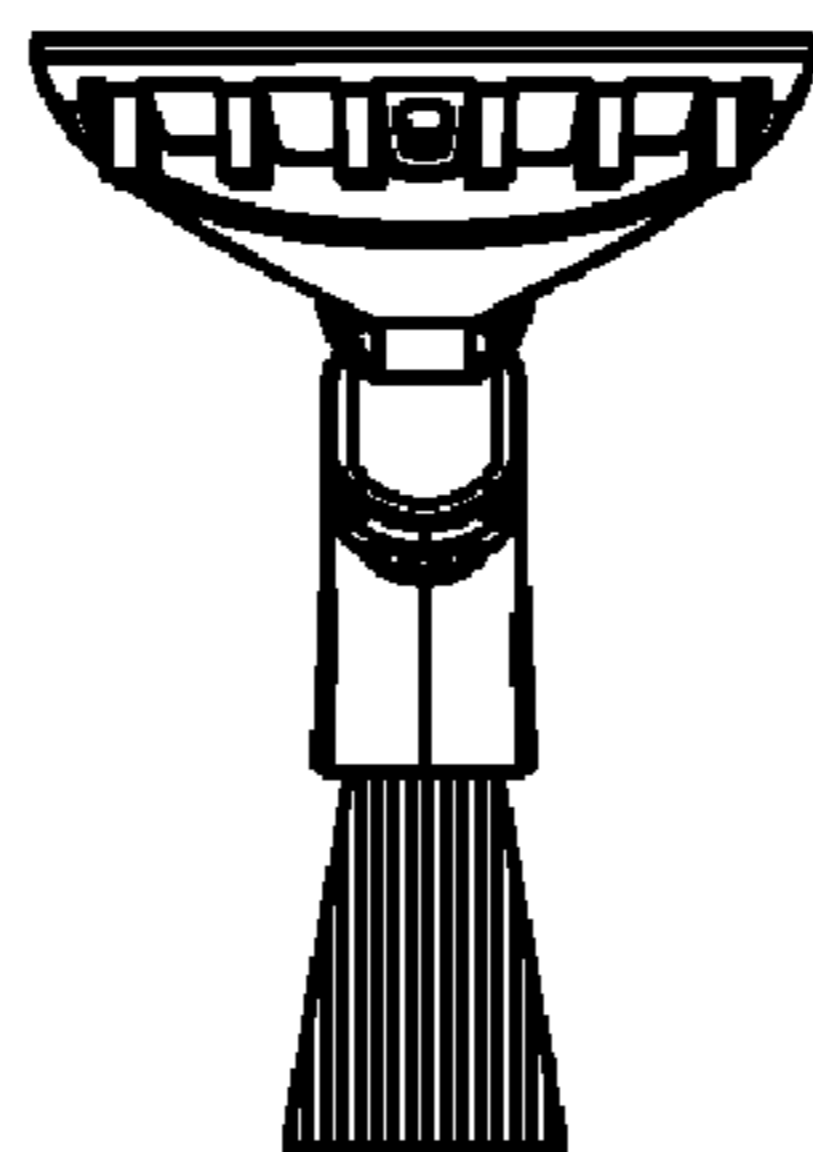


FIG. 5

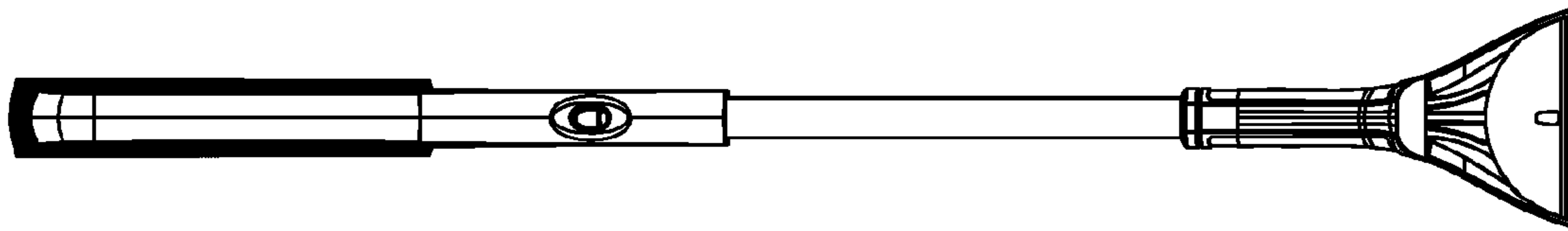


FIG. 6

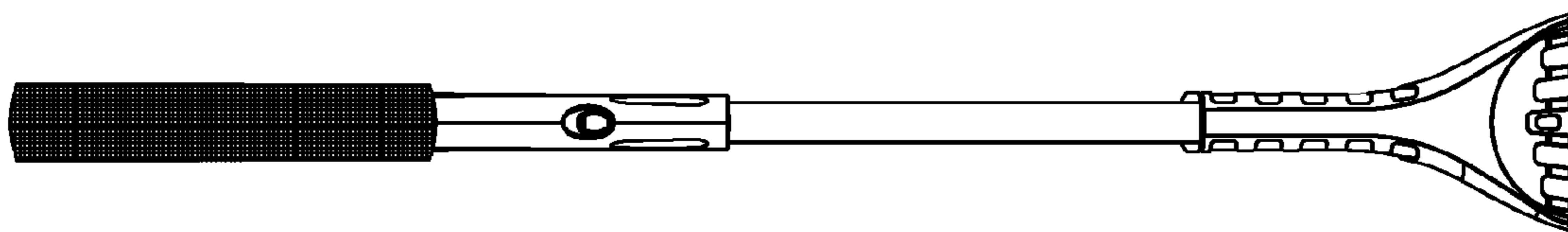


FIG. 7